



US00D695296S

(12) **United States Design Patent**
Hsu

(10) **Patent No.:** **US D695,296 S**
(45) **Date of Patent:** **** Dec. 10, 2013**

(54) **PROTECTIVE COVER FOR DISPLAY**
(71) Applicant: **Fu-Yi Hsu**, Taitung County (TW)
(72) Inventor: **Fu-Yi Hsu**, Taitung County (TW)
(**) Term: **14 Years**
(21) Appl. No.: **29/437,822**
(22) Filed: **Nov. 20, 2012**
(51) **LOC (9) Cl.** **14-02**
(52) **U.S. Cl.**
USPC **D14/440**
(58) **Field of Classification Search**
USPC D14/250, 251, 253, 240, 217, 496, 440,
D14/203.3, 203.4, 203.5, 203.8, 341, 318;
D3/218, 215, 201, 294, 289, 900;
220/4.02; 248/309.1; 361/679.56;
379/426, 433.11, 455; 455/575.1,
455/575.8; 190/100; 206/305, 320;
D21/469

See application file for complete search history.

(56) **References Cited**

U.S. PATENT DOCUMENTS

2,354,782 A * 8/1944 Stradling et al. 281/16
D230,376 S * 2/1974 Andrew D19/91
4,259,568 A * 3/1981 Dynesen 235/1 D
4,703,160 A * 10/1987 Narishima et al. 235/1 D
4,718,550 A * 1/1988 Johnson 206/387.13
D323,937 S * 2/1992 Solomon D3/299
5,375,076 A * 12/1994 Goodrich et al. 361/679.17
5,480,118 A * 1/1996 Cross 248/459
D513,008 S * 12/2005 Takizawa et al. D14/447
D524,051 S * 7/2006 Krueger D3/303
7,191,926 B1 * 3/2007 Costantino et al. 224/605
7,318,521 B2 * 1/2008 Lau 206/45.24
D582,405 S * 12/2008 Andre et al. D3/299
7,542,052 B2 * 6/2009 Solomon et al. 345/659
7,561,415 B2 * 7/2009 Liou et al. 361/679.26
D637,814 S * 5/2011 Akana et al. D3/303
D641,348 S * 7/2011 Kim et al. D14/250
D646,266 S * 10/2011 Kim et al. D14/250

D657,354 S * 4/2012 Kim D14/250
D658,877 S * 5/2012 Janus D3/301
D659,139 S * 5/2012 Gengler D14/392
D663,304 S * 7/2012 Akana et al. D14/440
8,230,992 B2 * 7/2012 Law et al. 206/320
D665,812 S * 8/2012 Huang et al. D14/447
8,235,208 B2 * 8/2012 Sirichai et al. 206/320
D670,703 S * 11/2012 Hasbrook et al. D14/447
D672,353 S * 12/2012 Liu D14/440
D672,781 S * 12/2012 Lu D14/440
D674,799 S * 1/2013 Kim D14/440
D677,261 S * 3/2013 Hsu et al. D14/447
D677,668 S * 3/2013 Phillips et al. D14/440

(Continued)

Primary Examiner — Cynthia Underwood

(74) *Attorney, Agent, or Firm* — Li & Cai Intellectual Property (USA) Office

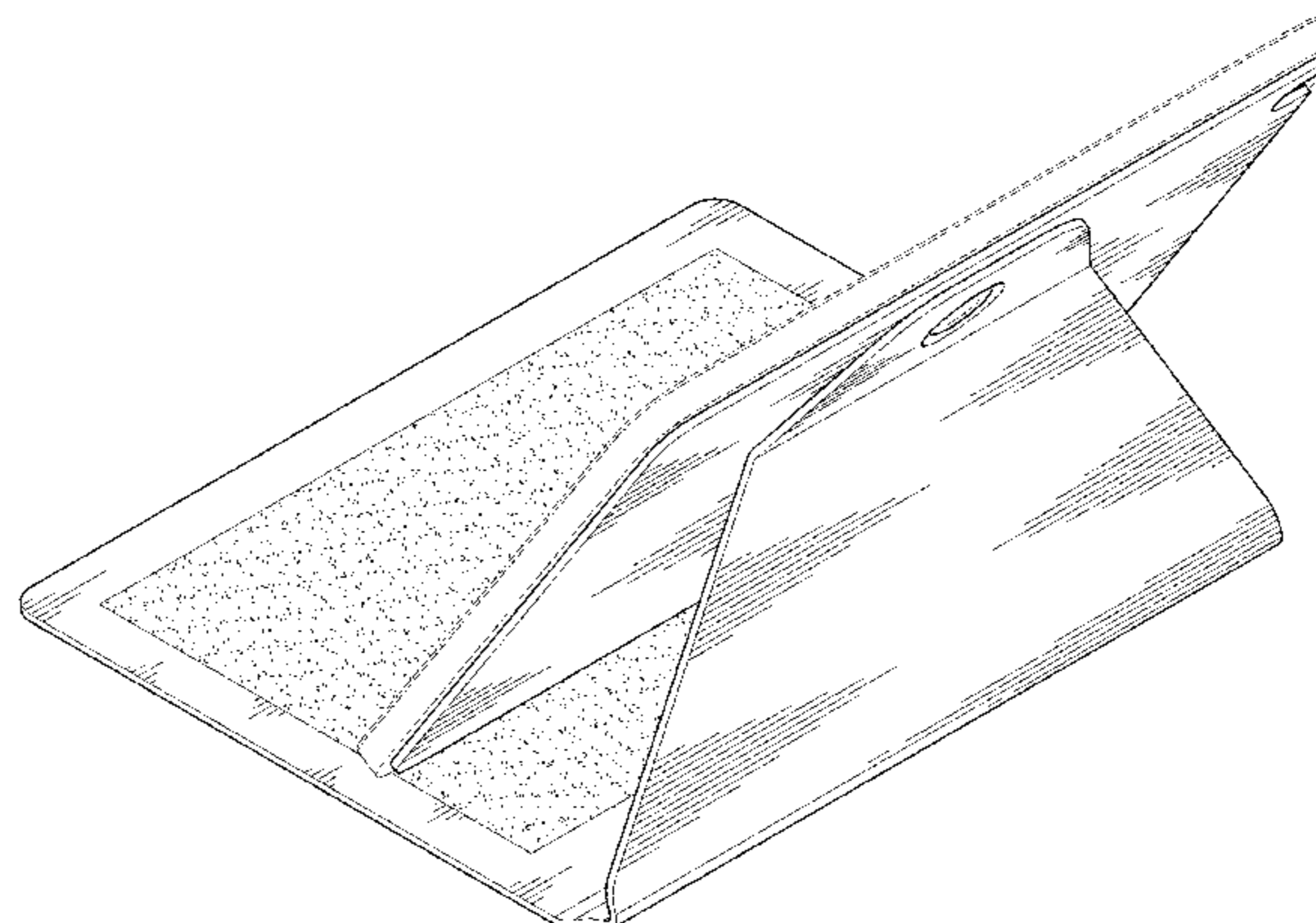
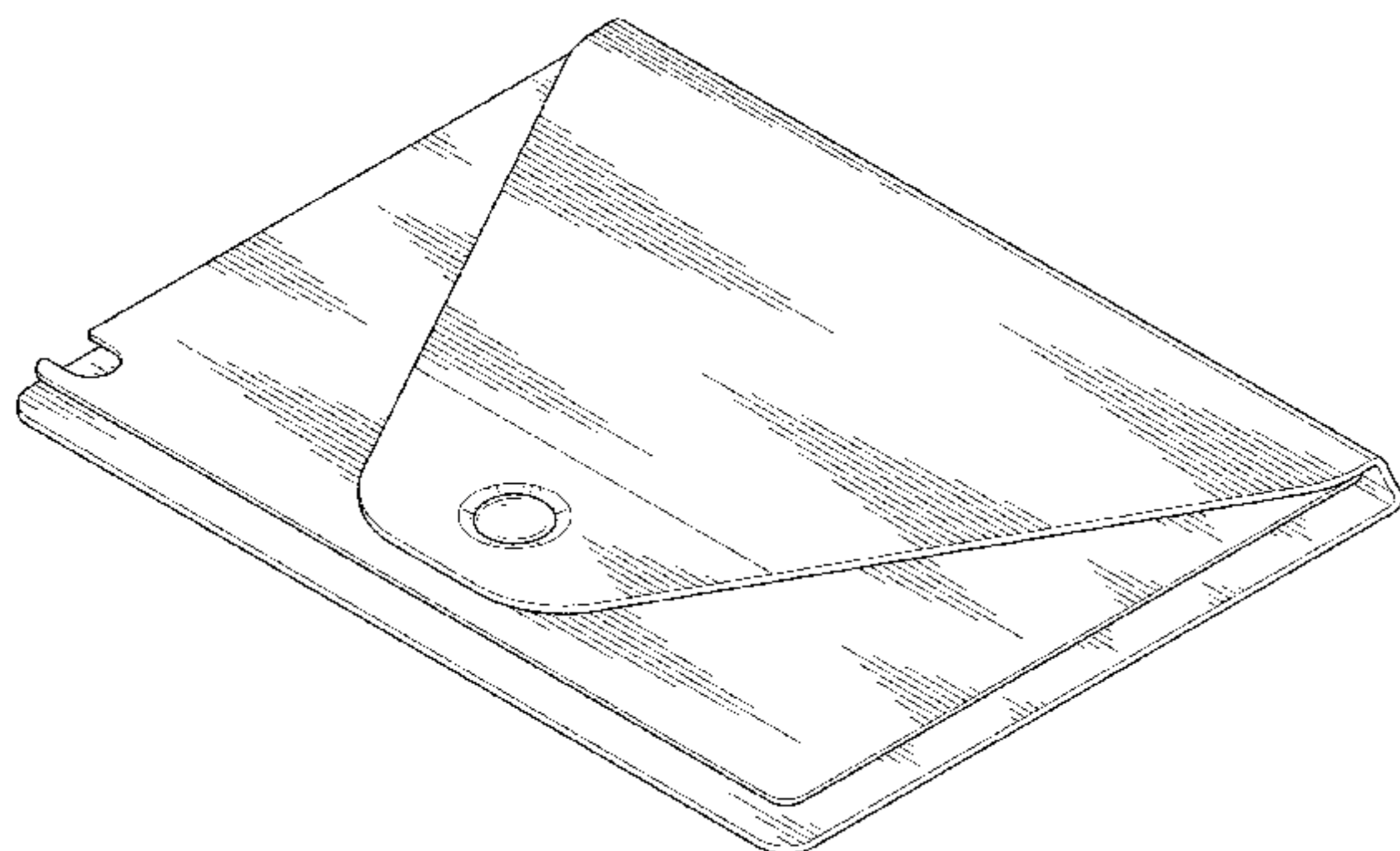
(57) **CLAIM**

The ornamental design for a protective cover for display, as shown and described.

DESCRIPTION

FIG. 1 is a perspective view of a protective cover for display showing my new design;
FIG. 2 is a front view thereof;
FIG. 3 is a rear view thereof;
FIG. 4 is a left side view thereof;
FIG. 5 is a right side view thereof;
FIG. 6 is a top view thereof;
FIG. 7 is a bottom view thereof;
FIG. 8 is a perspective view thereof, showing the protective cover for display in an open position;
FIG. 9 is a perspective view showing the practical usage thereof;
FIG. 10 is the other perspective view showing the practical usage thereof; and,
FIG. 11 is another perspective view showing the practical usage thereof.
The broken lines showing are for illustrative purpose only and form no part of the claimed design.

1 Claim, 9 Drawing Sheets



(56)

References Cited

U.S. PATENT DOCUMENTS

D678,272 S *	3/2013	Groene et al.	D14/345	2009/0017883 A1 *	1/2009	Lin	455/575.8
D679,279 S *	4/2013	Yang et al.	D14/440	2010/0110625 A1 *	5/2010	Chen	361/679.02
D681,041 S *	4/2013	Phillips et al.	D14/440	2010/0294909 A1 *	11/2010	Hauser et al.	248/456
2001/0040561 A1 *	11/2001	Weinzierl et al.	345/169	2010/0300909 A1 *	12/2010	Hung	206/320
2004/0202858 A1 *	10/2004	Lee	428/332	2012/0043231 A1 *	2/2012	Perrier et al.	206/216
				2012/0170212 A1 *	7/2012	Gallouzi et al.	361/679.56
				2012/0194448 A1 *	8/2012	Rothkopf	345/173
				2012/0211613 A1 *	8/2012	Yang et al.	248/174

* cited by examiner

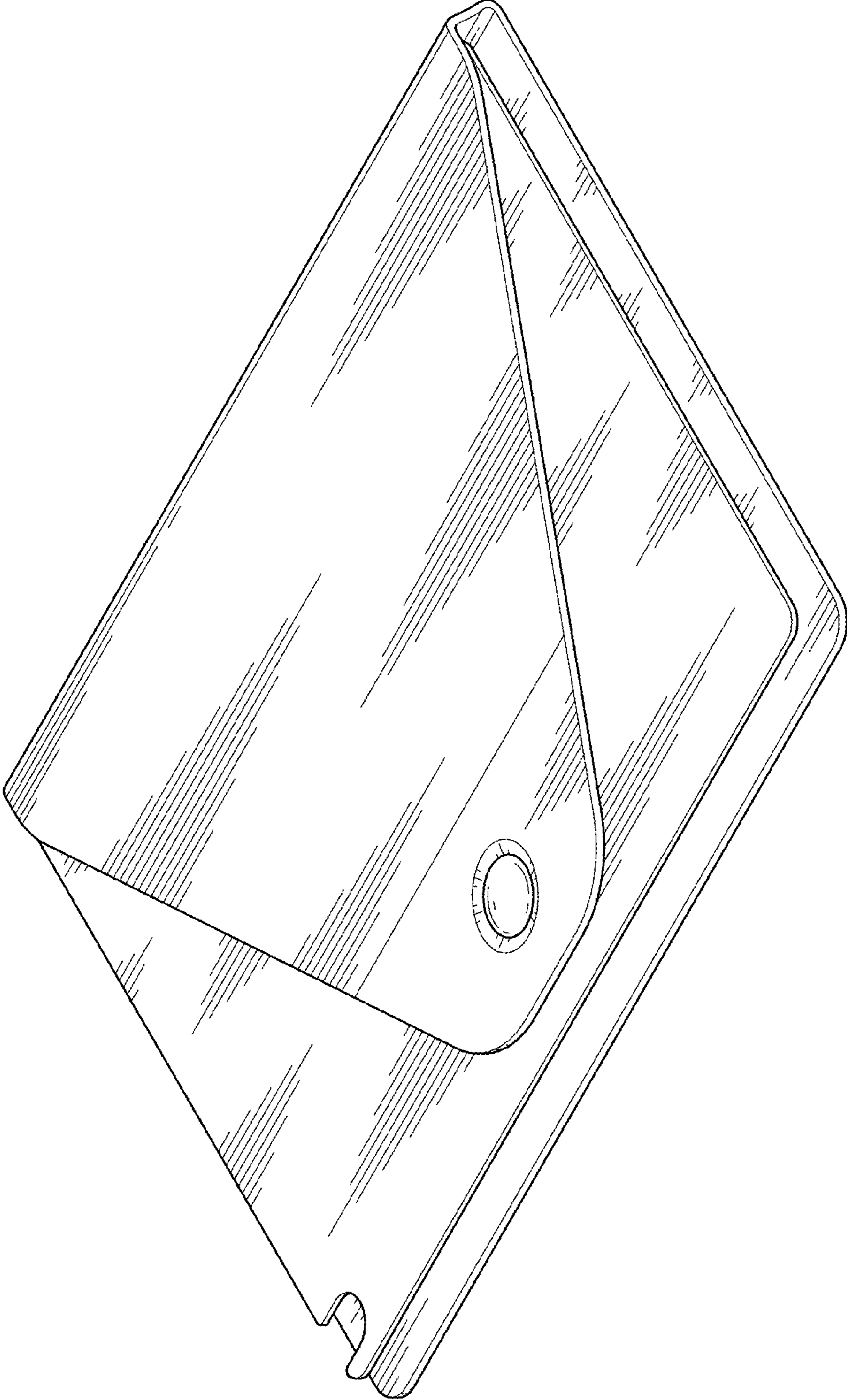


FIG. 1

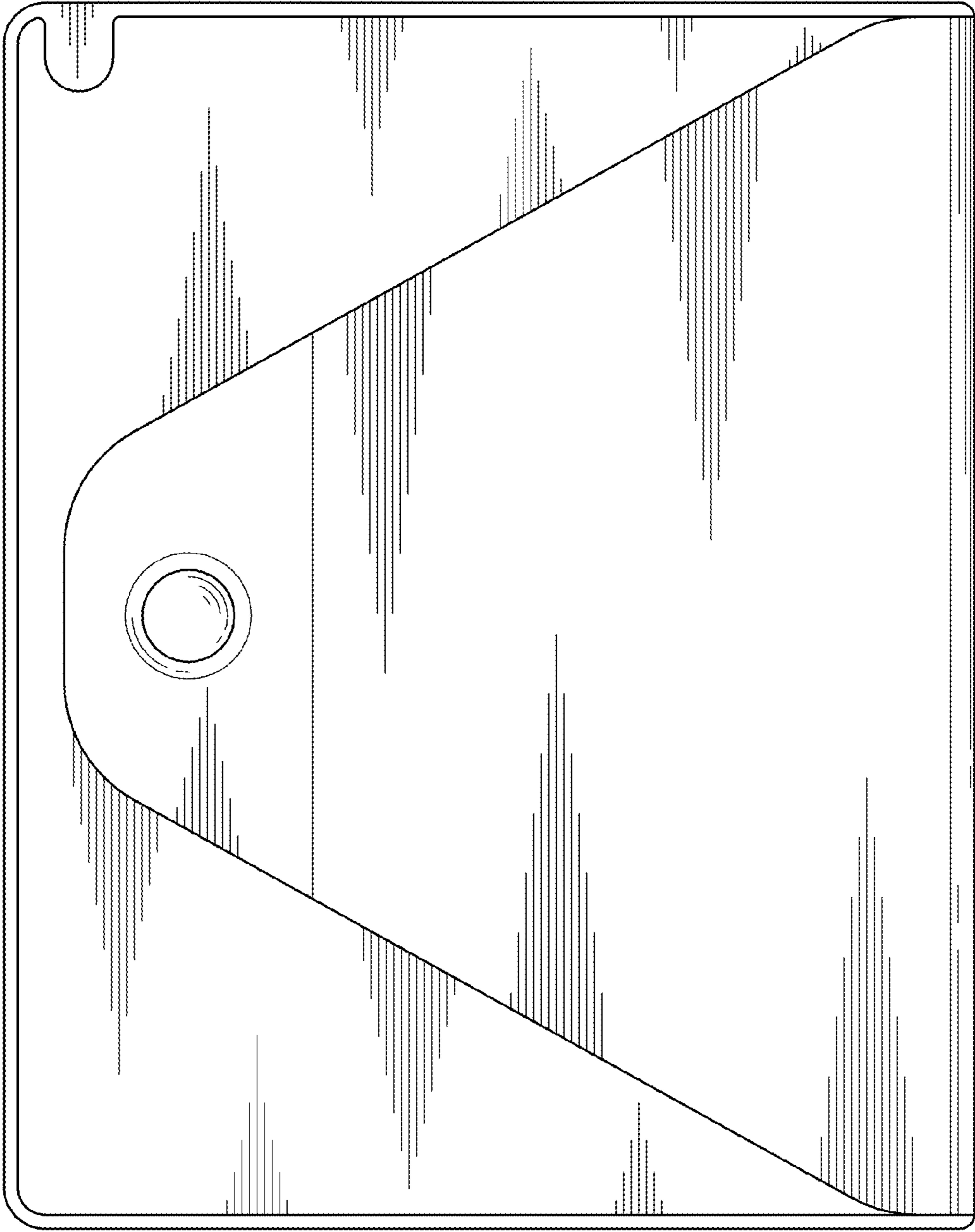


FIG. 2

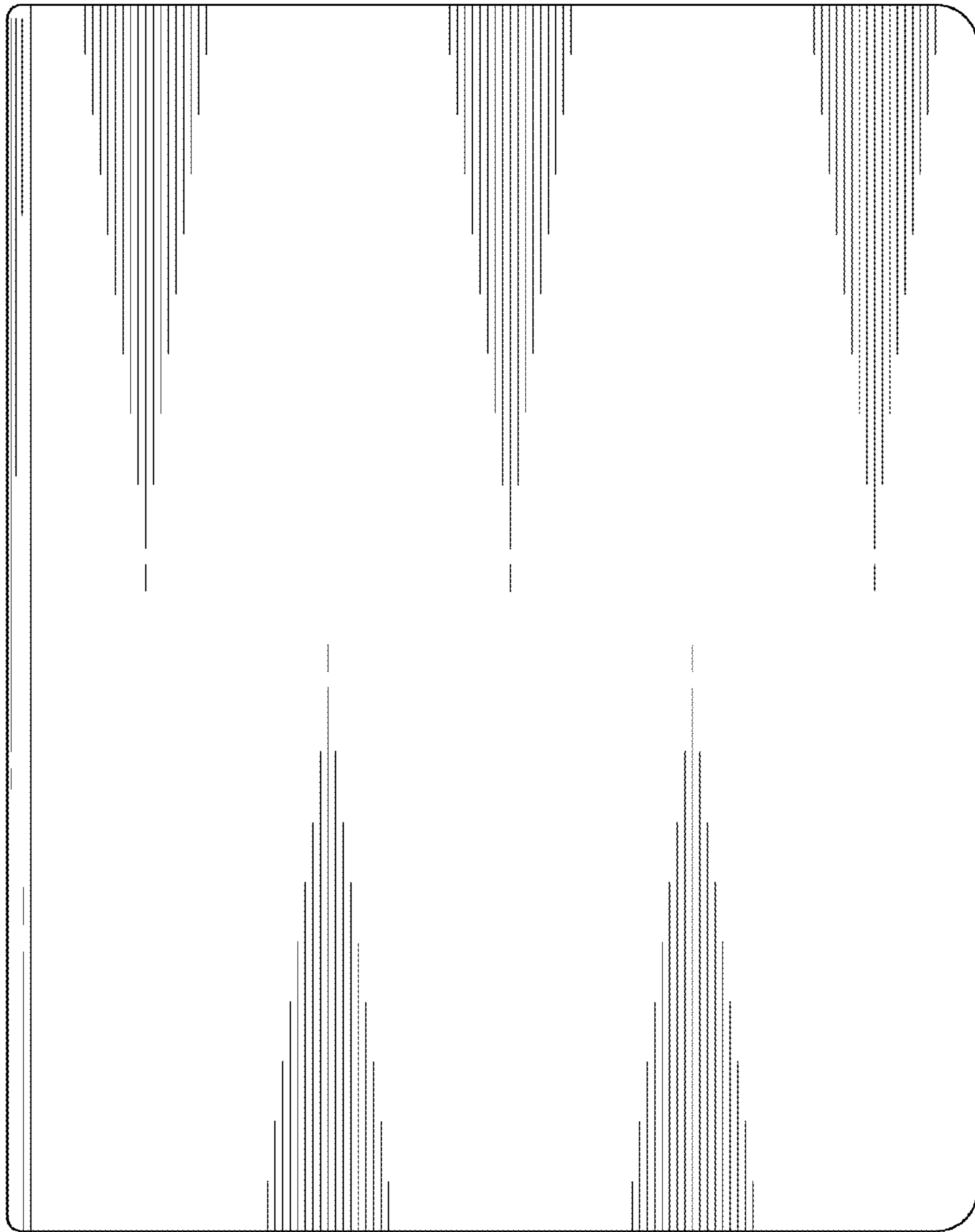


FIG. 3

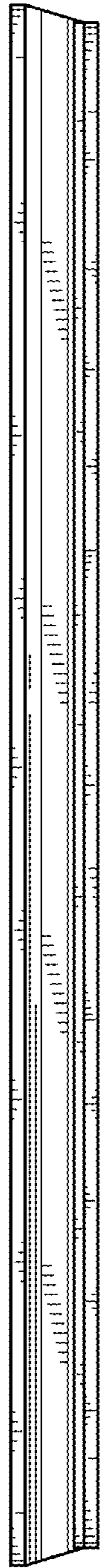


FIG. 4

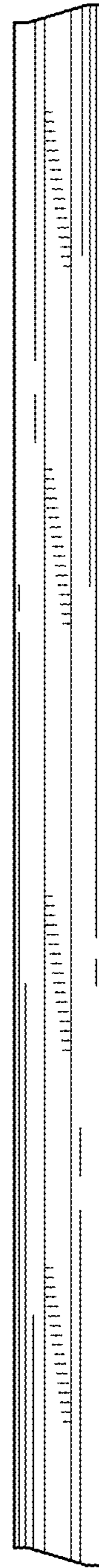


FIG. 5

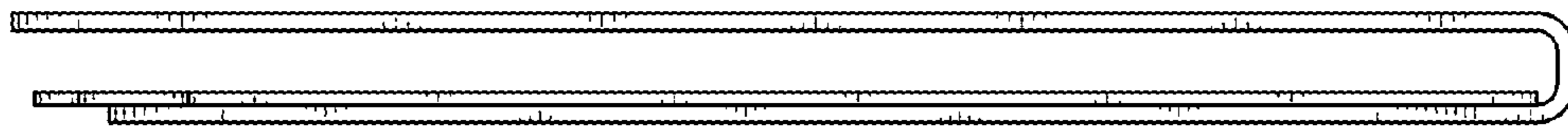


FIG. 6



FIG. 7

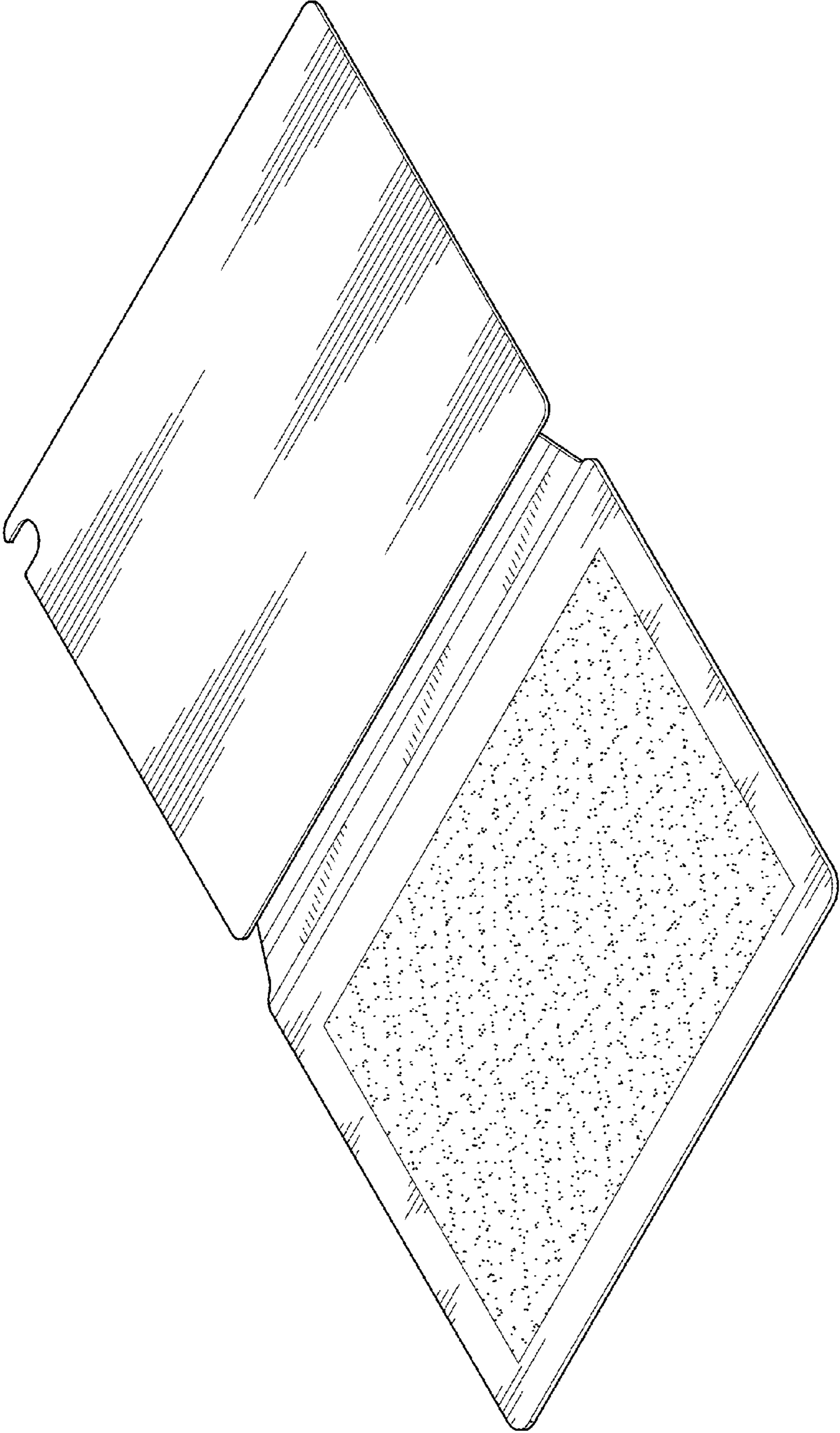


FIG. 8

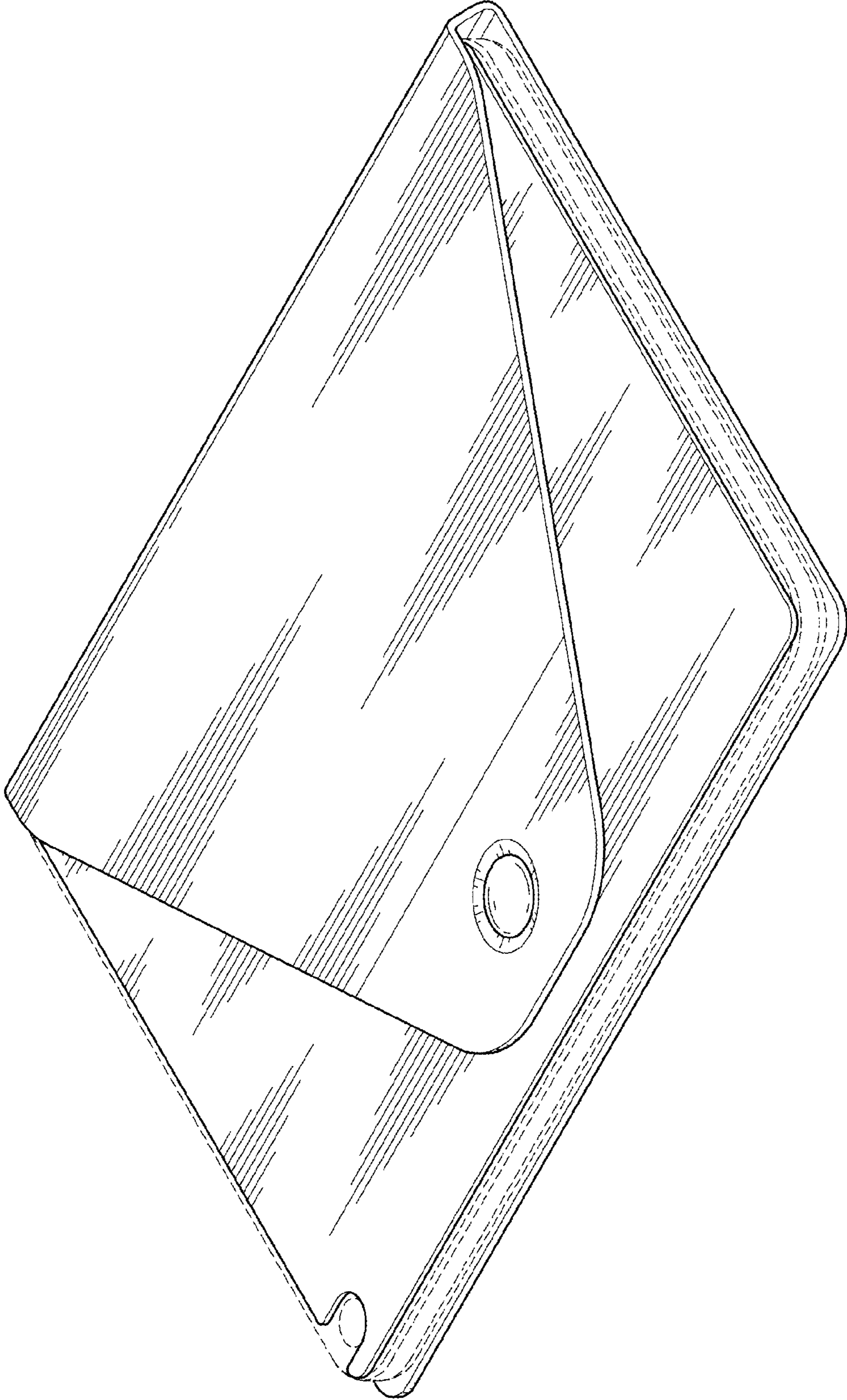


FIG. 9

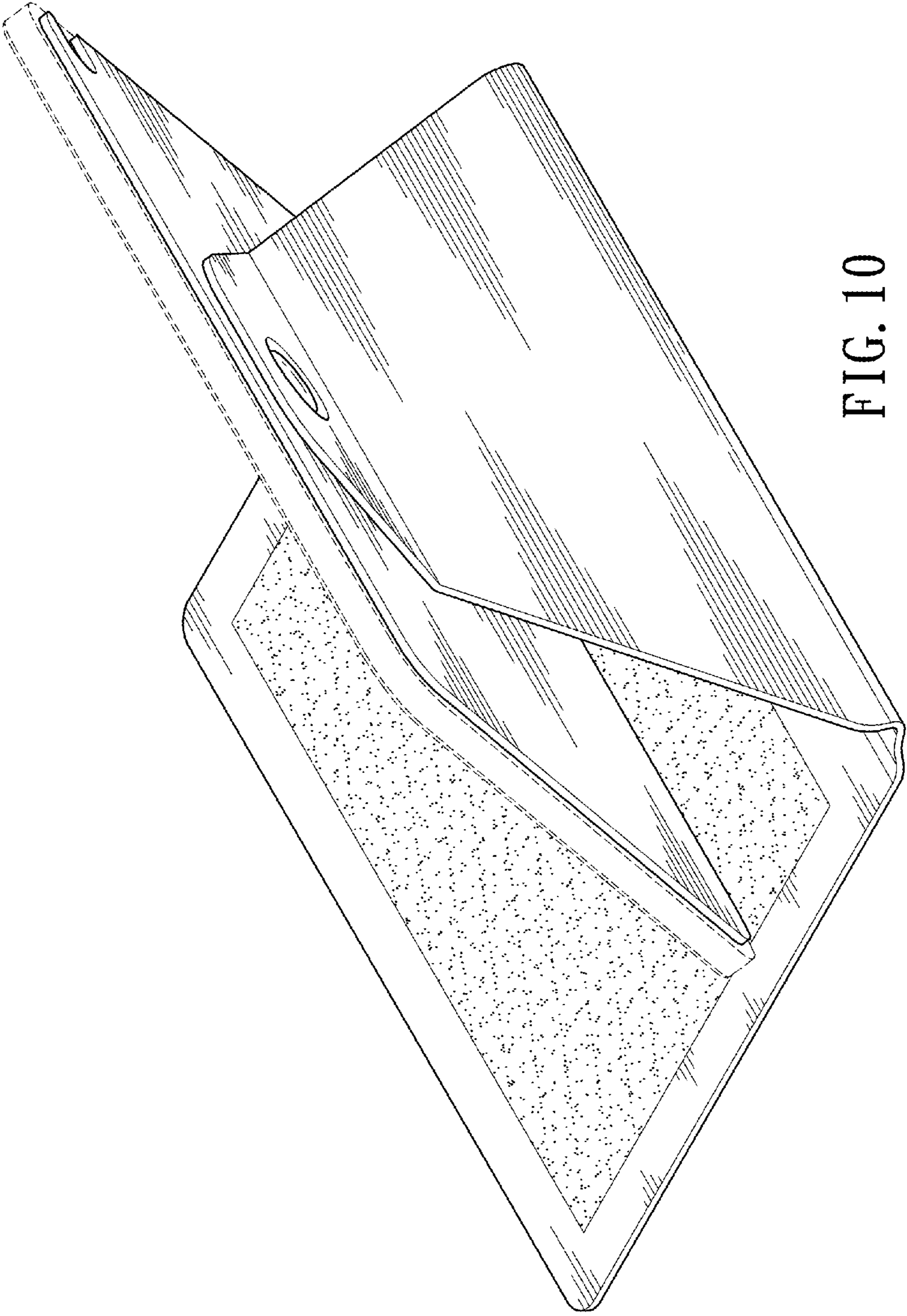


FIG. 10

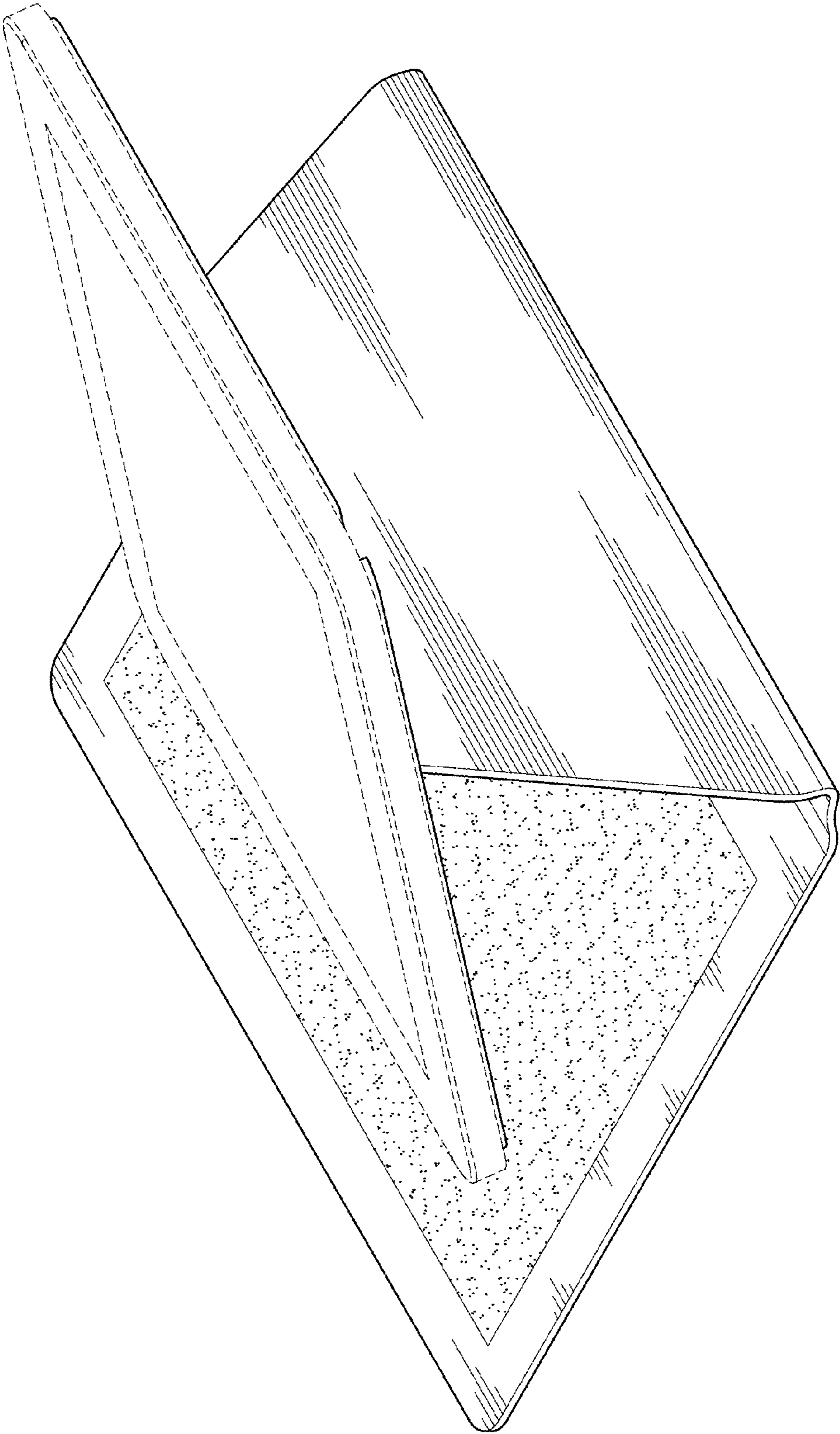


FIG. 11