

US00D695295S

(12) **United States Design Patent**
Chumanov et al.

(10) **Patent No.:** **US D695,295 S**

(45) **Date of Patent:** **** Dec. 10, 2013**

(54) **ADAPTER FOR HAND-HELD ELECTRONIC DEVICES**

(71) Applicants: **Rob Chumanov**, Middleton, WI (US);
Julia Krueger, Fitchburg, WI (US);
Steve Krueger, Fitchburg, WI (US);
Sydnor T. Withers, III, Madison, WI (US)

(72) Inventors: **Rob Chumanov**, Middleton, WI (US);
Julia Krueger, Fitchburg, WI (US);
Steve Krueger, Fitchburg, WI (US);
Sydnor T. Withers, III, Madison, WI (US)

(**) Term: **14 Years**

(21) Appl. No.: **29/438,933**

(22) Filed: **Dec. 5, 2012**

(51) **LOC (9) Cl.** **14-02**

(52) **U.S. Cl.**
USPC **D14/433**

(58) **Field of Classification Search**
USPC D14/356, 432-434, 453, 454, 511,
D14/203.8, 209.1, 238.1, 240, 125;
439/638, 928, 105, 502; 710/303, 304;
361/679.41, 679.55, 679.56; D13/110,
D13/133, 146

See application file for complete search history.

(56) **References Cited**

U.S. PATENT DOCUMENTS

D313,417 S * 1/1991 Graham et al. D14/240
D320,991 S * 10/1991 Nagai et al. D14/251
D463,414 S * 9/2002 Gao D14/240

D580,920 S * 11/2008 Wikel et al. D14/240
D587,695 S * 3/2009 Leng et al. D14/240
D626,950 S * 11/2010 Roman D14/240
D635,131 S * 3/2011 Roman D14/240
D661,698 S * 6/2012 Chaturvedi et al. D14/358
D684,148 S * 6/2013 Sei et al. D14/240

OTHER PUBLICATIONS

Dasheng Lee, Wen Pin Chou, Shiou Hwei Yeh, Pei Jer Chen, Ping Hei Chen, DNA Detection Using Commercial Mobile Phones, Biosensors and Bioelectronics, May 5, 2011, 4349-4354, 26 (2011), Elsevier B.V.

* cited by examiner

Primary Examiner — Austin Murphy

(74) *Attorney, Agent, or Firm* — McAndrews, Held & Malloy, Ltd.

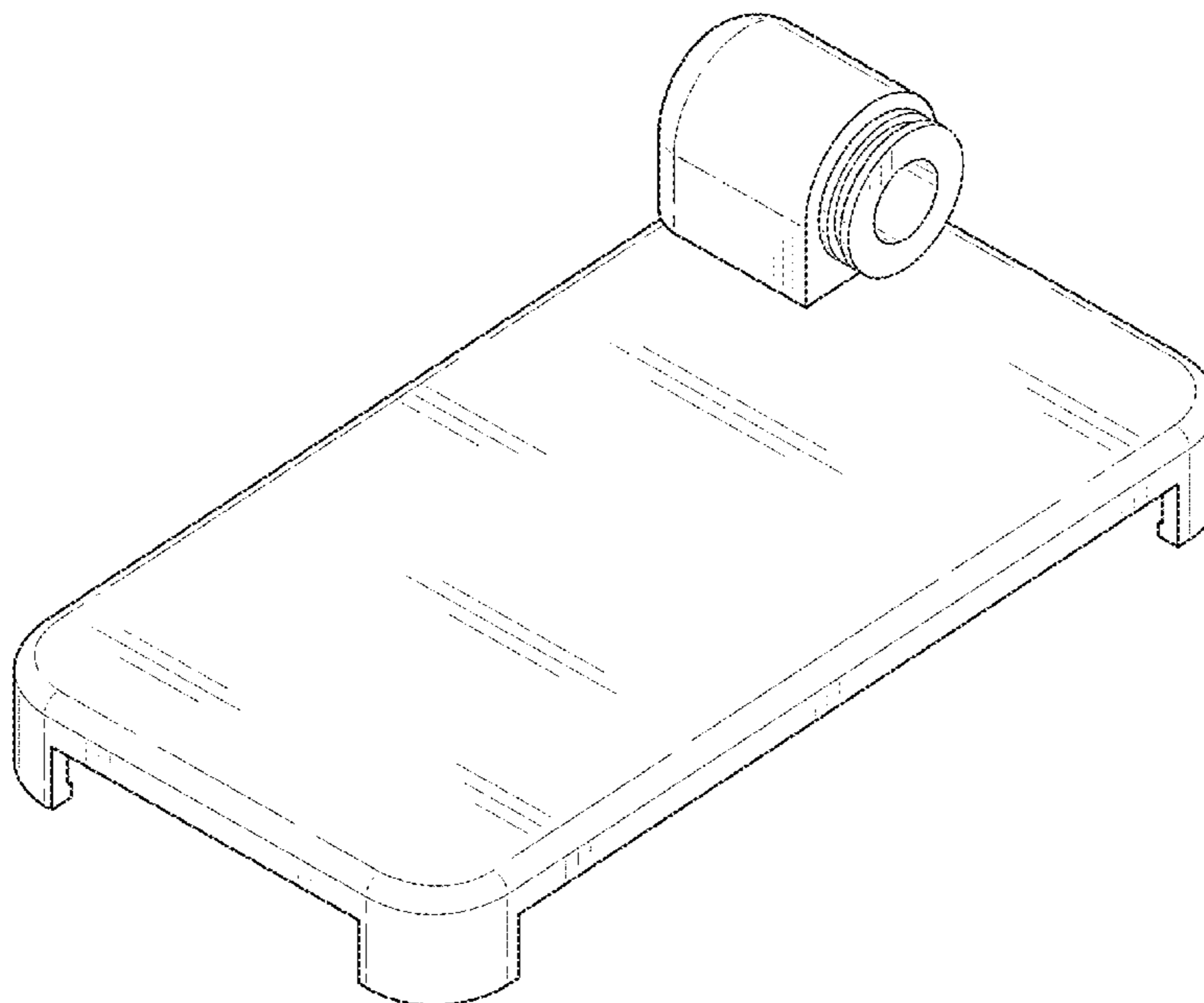
(57) **CLAIM**

The ornamental design for an adapter for hand-held electronic devices, as shown and described.

DESCRIPTION

FIG. 1 is a top side perspective view of an adapter for hand-held electronic devices;
FIG. 2 is a left side view thereof;
FIG. 3 is a right side view thereof;
FIG. 4 is a back side view thereof;
FIG. 5 is a front side view thereof;
FIG. 6 is a top view thereof;
FIG. 7 is a bottom view thereof; and,
FIG. 8 is a bottom side perspective view thereof.
The broken lines illustrate portions of the adapter for hand-held electronic devices which form no part of the claimed design.

1 Claim, 4 Drawing Sheets



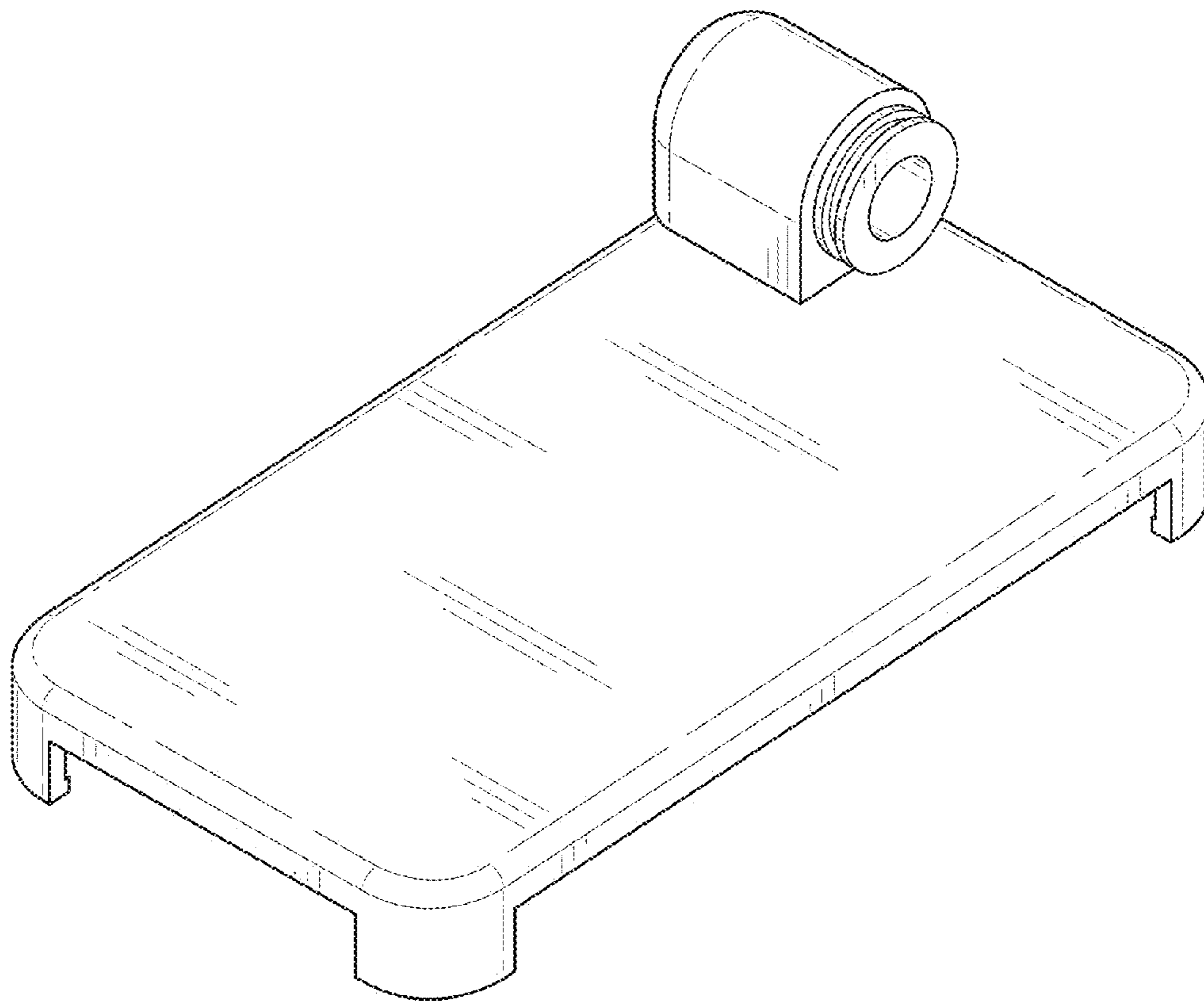


FIG. 1

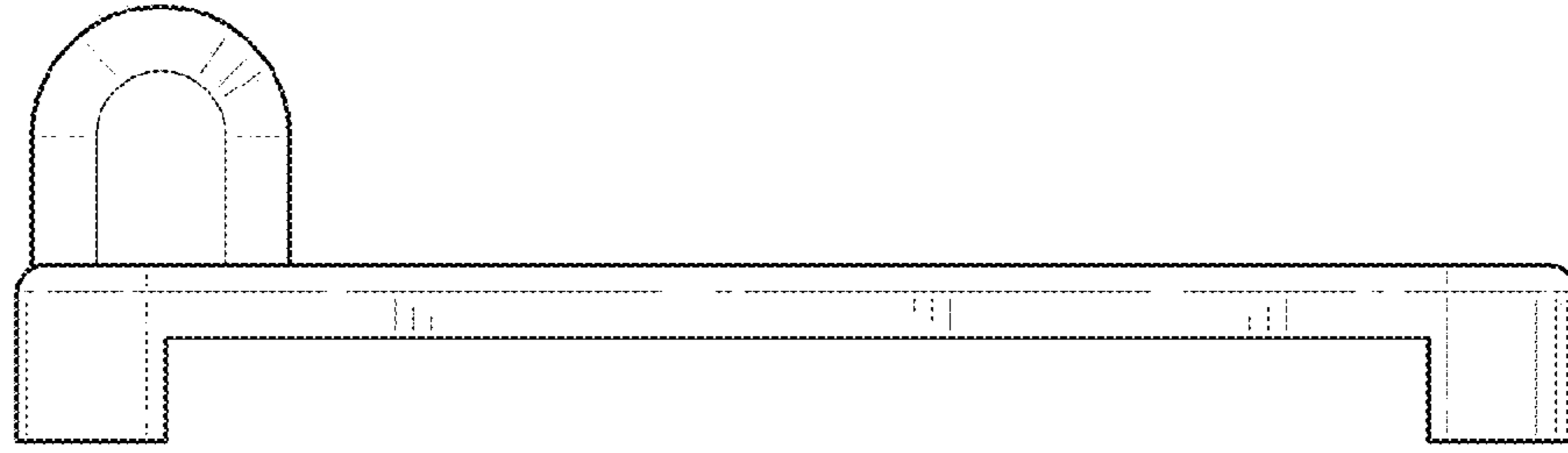


FIG. 2

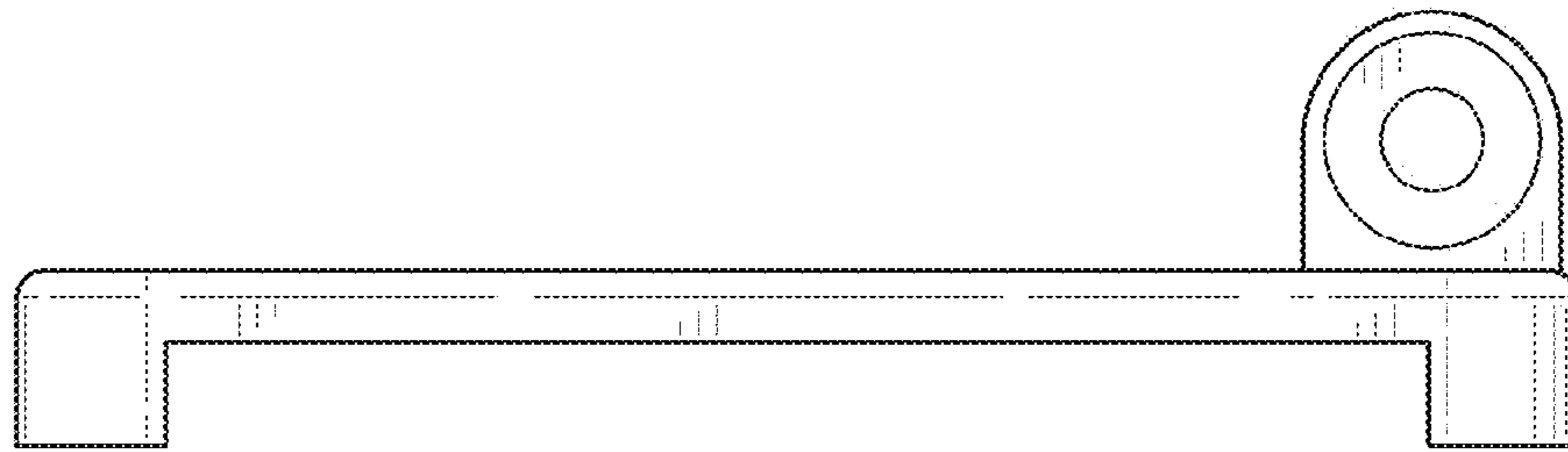


FIG. 3

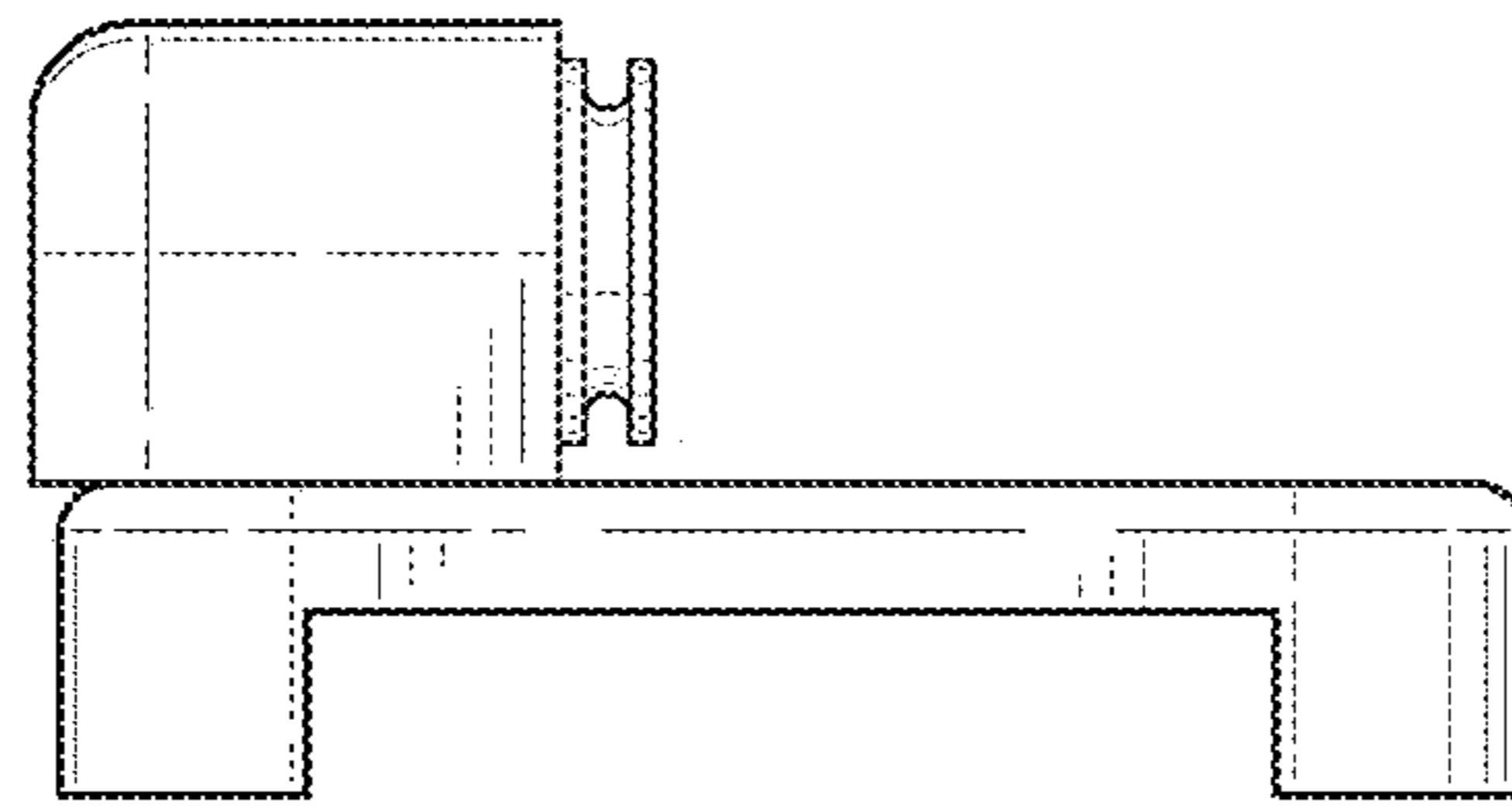


FIG. 4

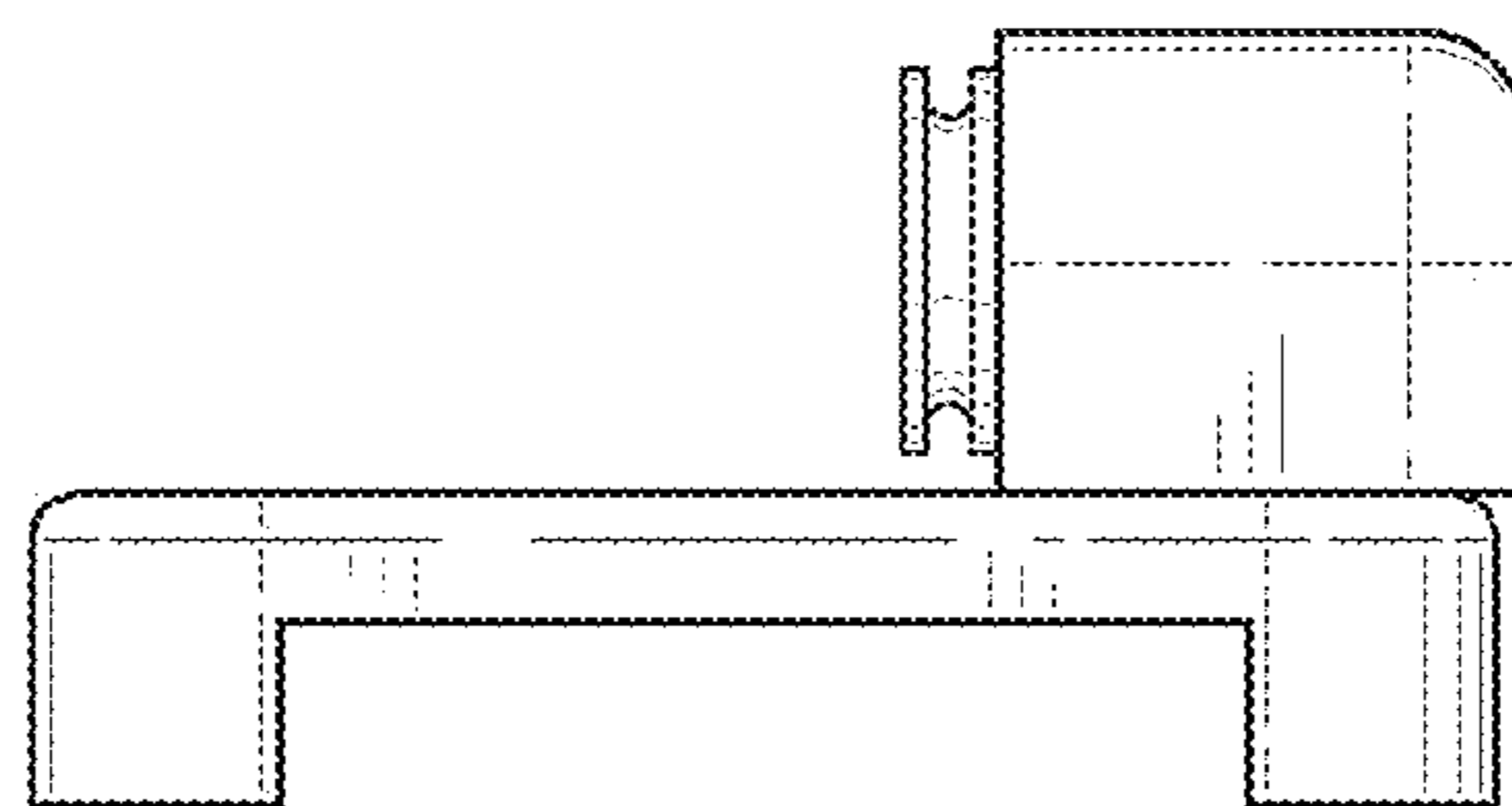


FIG. 5

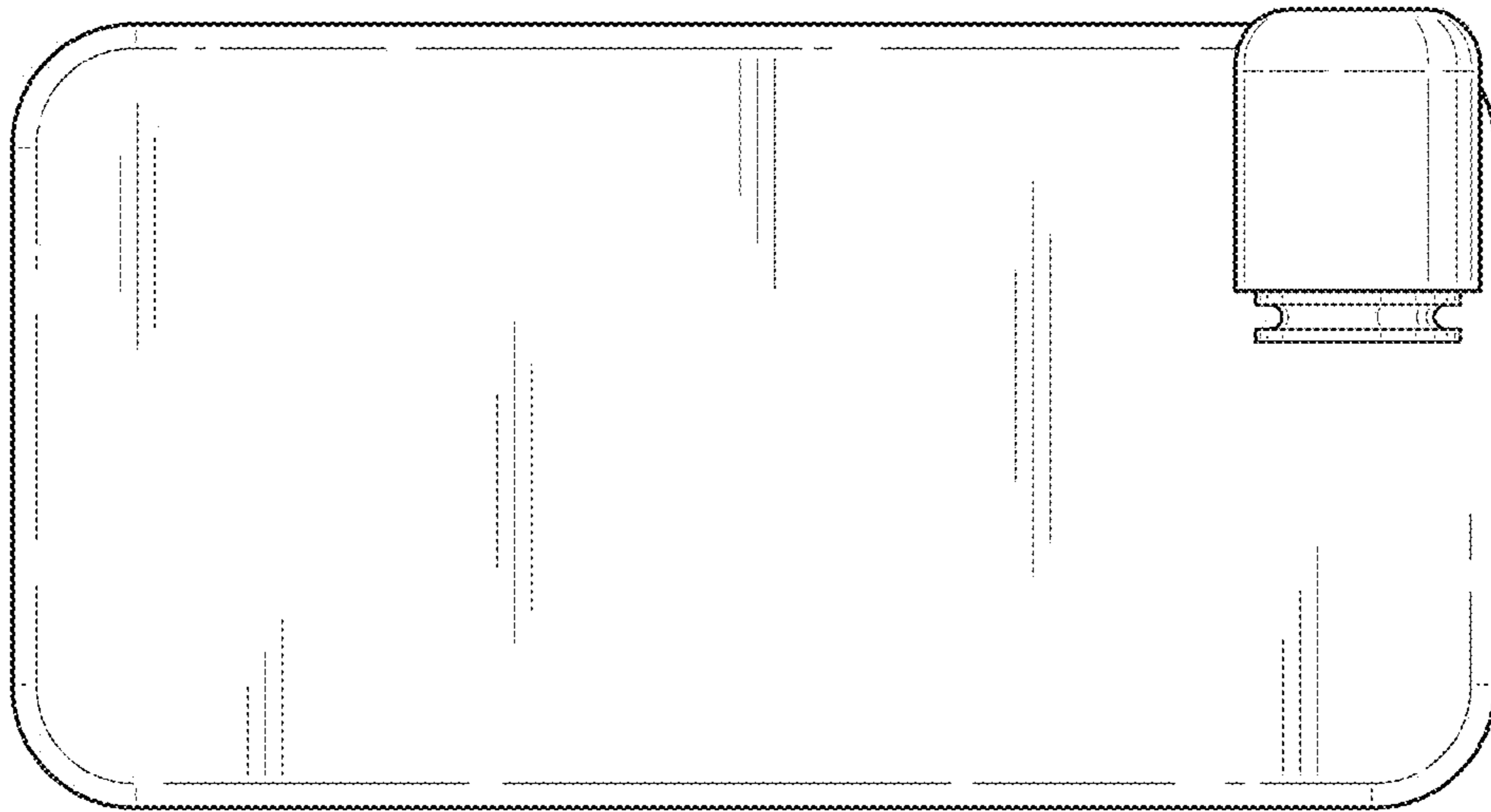


FIG. 6

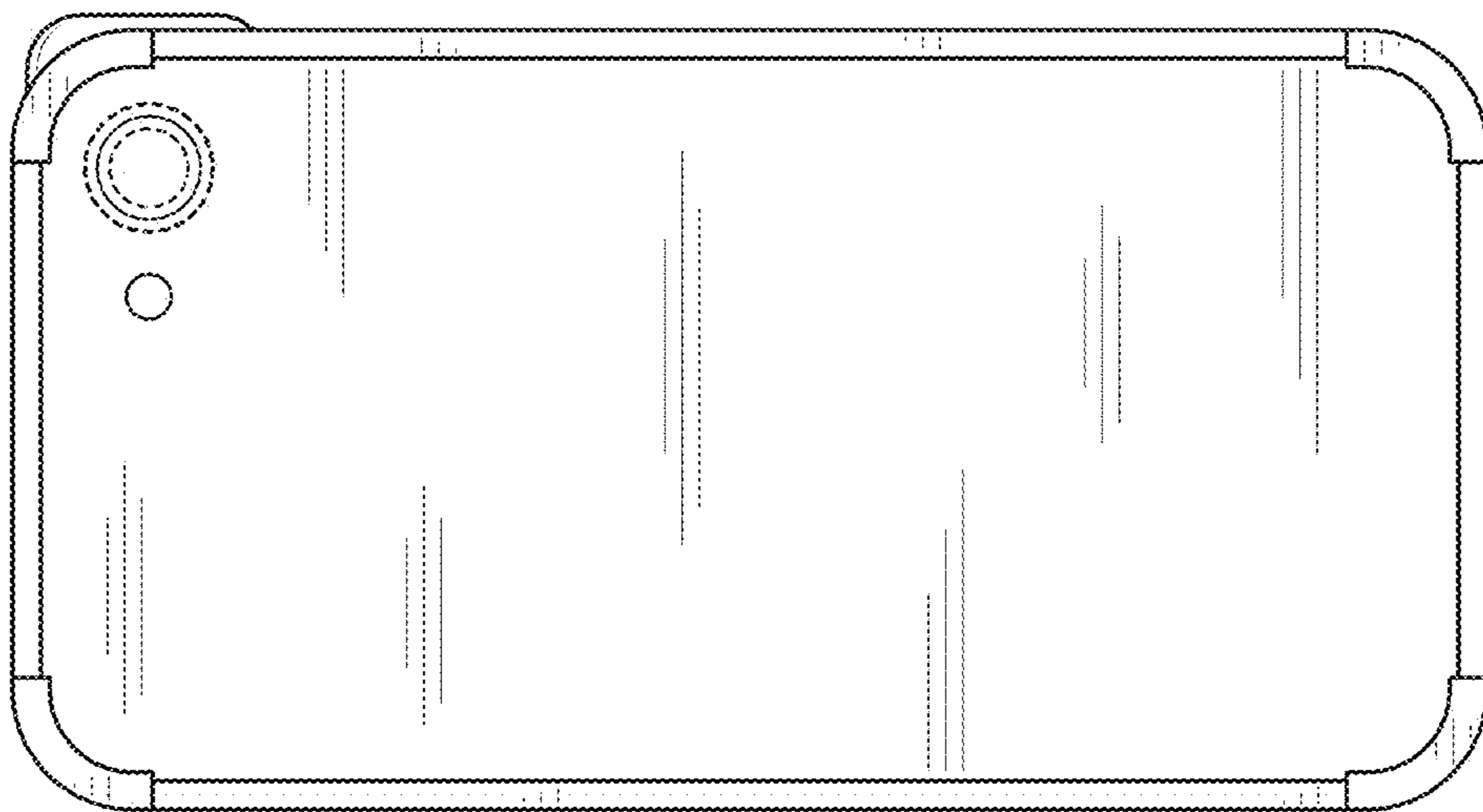


FIG. 7

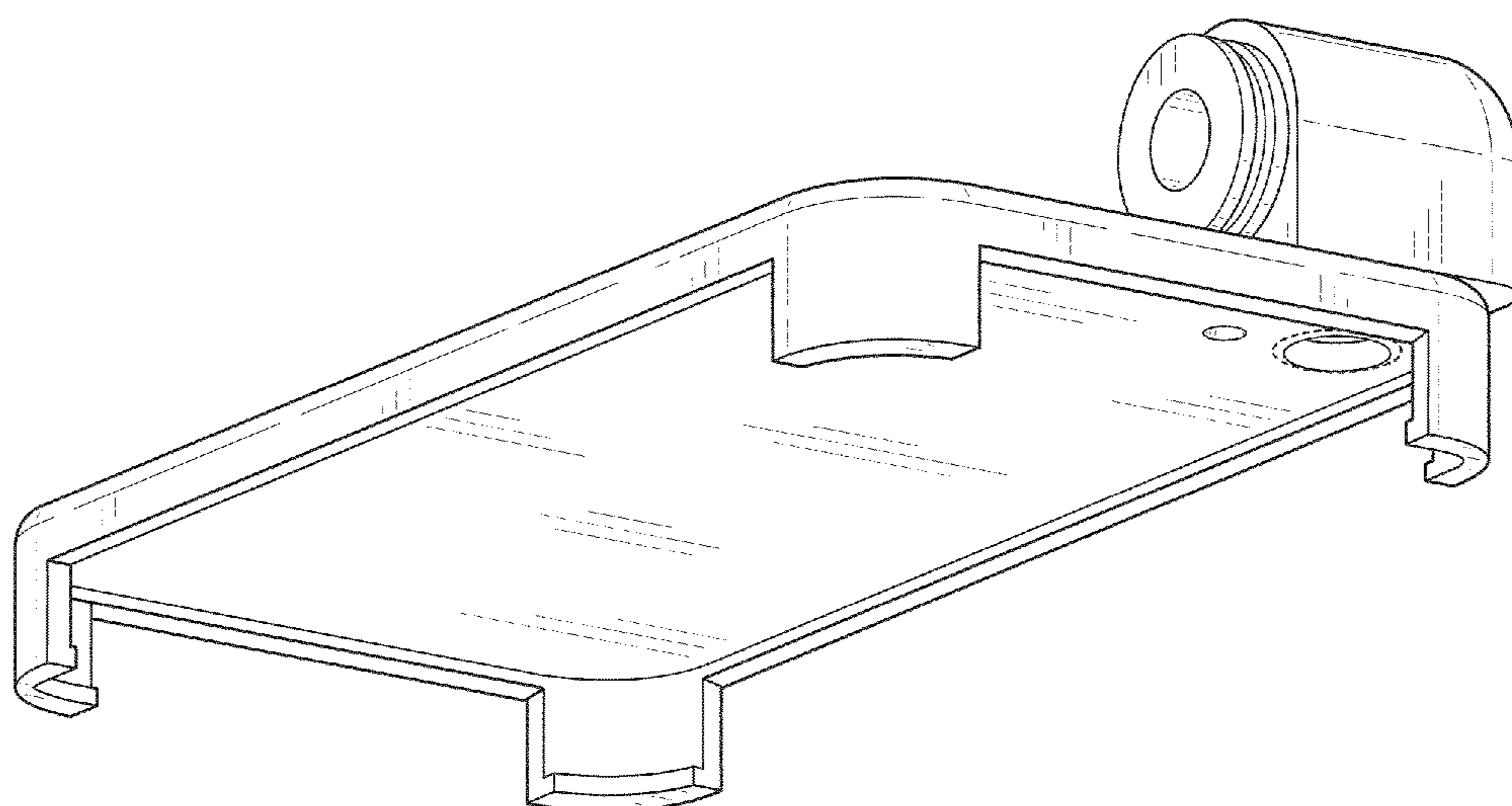


FIG. 8