



US00D695293S

(12) **United States Design Patent**
Dumont et al.

(10) **Patent No.:** **US D695,293 S**

(45) **Date of Patent:** **** Dec. 10, 2013**

(54) **KEYBOARD WITH ELEVATED KEYS**

(75) Inventors: **Olivier Dumont**, Morges (CH); **Laurent Steiner**, Fechy (CH); **Marten Helwig**, Greystones (IE); **Zi Jun Song**, Su Zhou (CN)

(73) Assignee: **Logitech Europe S.A.**, Morges (CH)

(**) Term: **14 Years**

(21) Appl. No.: **29/424,865**

(22) Filed: **Jun. 15, 2012**

(51) **LOC (9) Cl.** **14-02**

(52) **U.S. Cl.**
USPC **D14/392**

(58) **Field of Classification Search**
USPC D14/391–399, 455, 456; D18/1, 2, 7, D18/24, 29, 30, 32; 178/17 A, 17 C; 200/5 A, 200/5 R, 6 A, 6 R; 235/145 A, 145 R; 345/160, 168, 169, 173; 341/22, 23; 400/484–489, 492; 361/679.08, 361/679.09, 679.1, 679.11–679.19
See application file for complete search history.

(56) **References Cited**

U.S. PATENT DOCUMENTS

D482,362 S *	11/2003	Goto	D14/392
D534,533 S *	1/2007	Nguyen et al.	D14/391
D607,451 S *	1/2010	Wang et al.	D14/392
2010/0073855 A1 *	3/2010	Liang et al.	361/679.08
2011/0026209 A1 *	2/2011	Borse	361/679.08

* cited by examiner

Primary Examiner — Freda S Nunn

(74) *Attorney, Agent, or Firm* — Kilpatrick Townsend & Stockton LLP

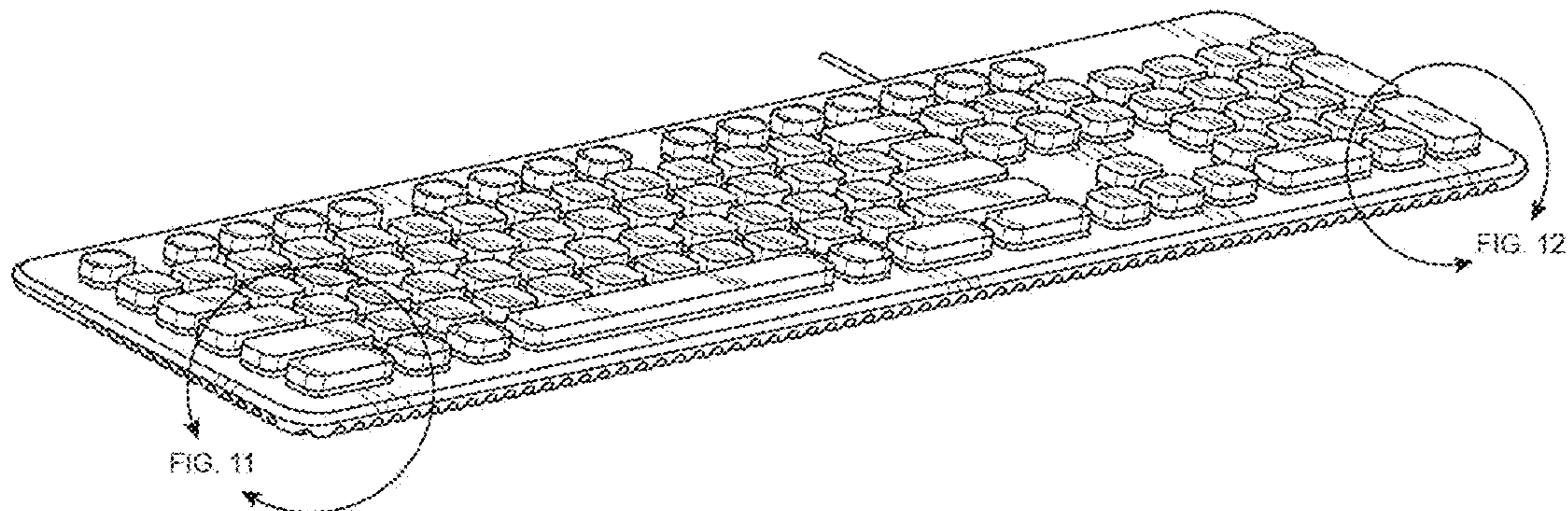
(57) **CLAIM**

The ornamental design for a keyboard with elevated keys, as shown and described.

DESCRIPTION

FIG. 1 is a first perspective view of a keyboard with elevated keys showing our new design;
 FIG. 2 is a second perspective view thereof;
 FIG. 3 is a top plan view thereof;
 FIG. 4 is a first bottom plan view thereof with keyboard legs folded in;
 FIG. 5 is a second bottom plan view thereof with keyboard legs folded out;
 FIG. 6 is a front elevational view thereof;
 FIG. 7 is a rear elevational view thereof;
 FIG. 8 is a left side elevational view thereof;
 FIG. 9 is a right side elevational view thereof;
 FIG. 10 is a perspective view of a second embodiment thereof;
 FIG. 11 is a top plan view thereof;
 FIG. 12 is a right side elevational view thereof with the keyboard legs folded out;
 FIG. 13 is an enlarged fragmented section of keys shown on the left side of the keyboard as indicated in FIG. 1; and,
 FIG. 14 is an enlarged fragmented section of keys shown on the right side of the keyboard as indicated in FIG. 1.

1 Claim, 11 Drawing Sheets



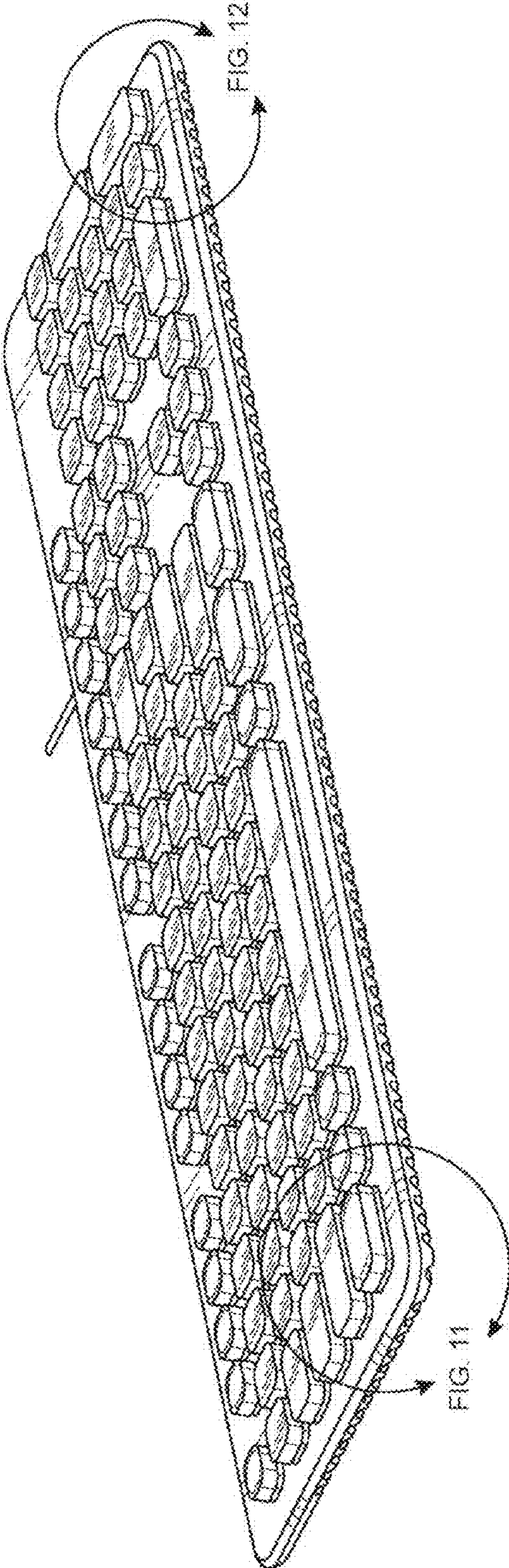


FIG. 1

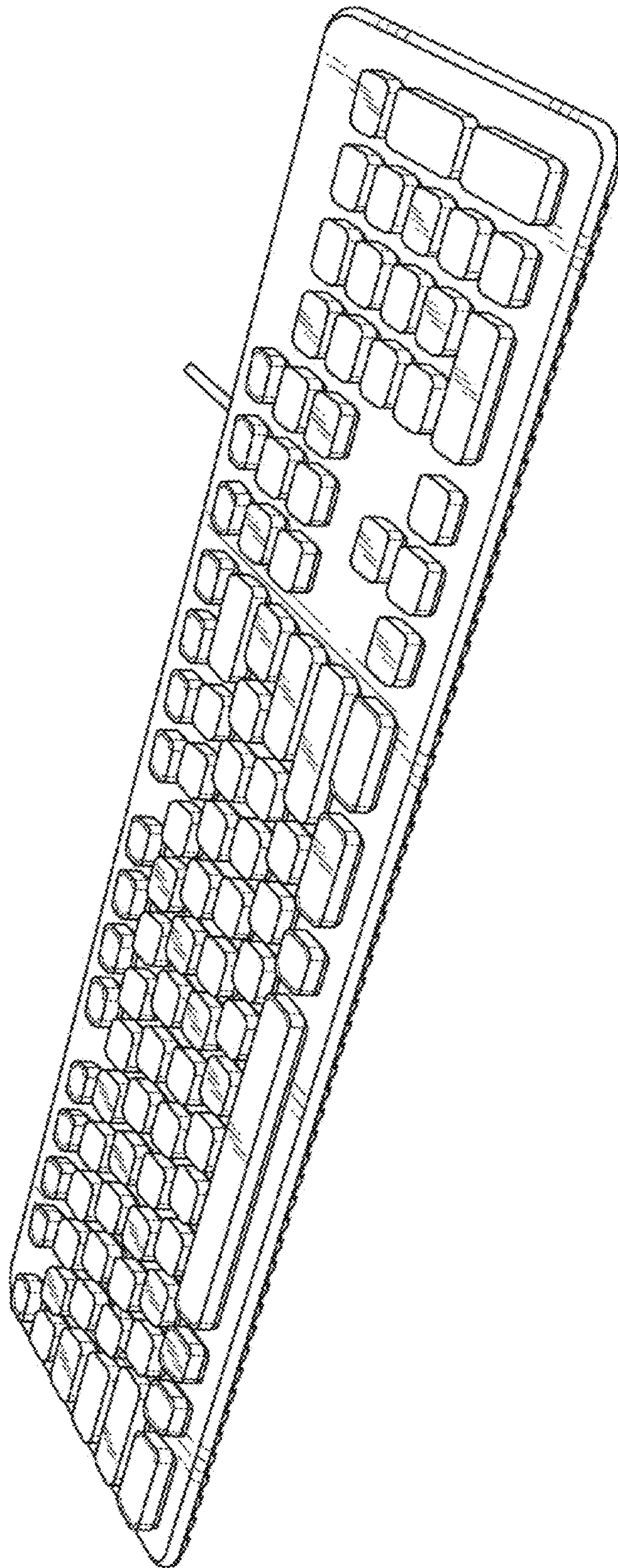


FIG. 2

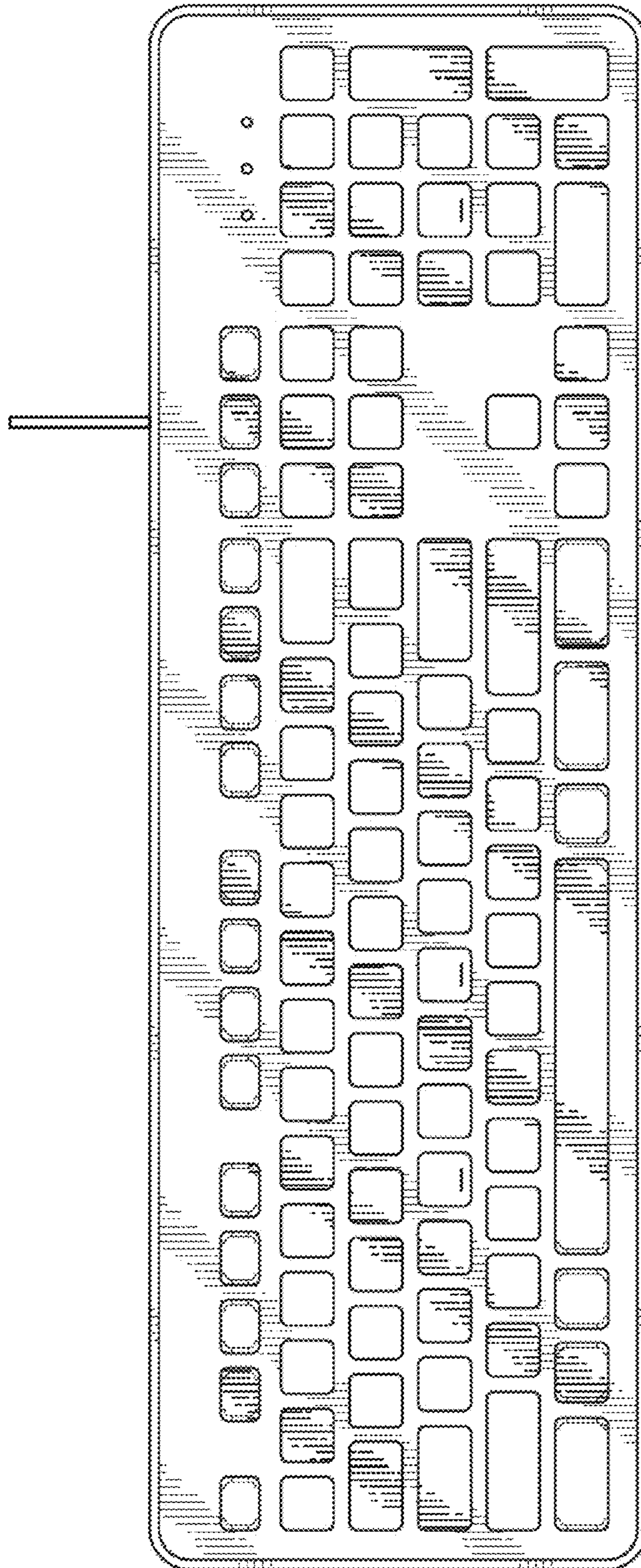


FIG. 3

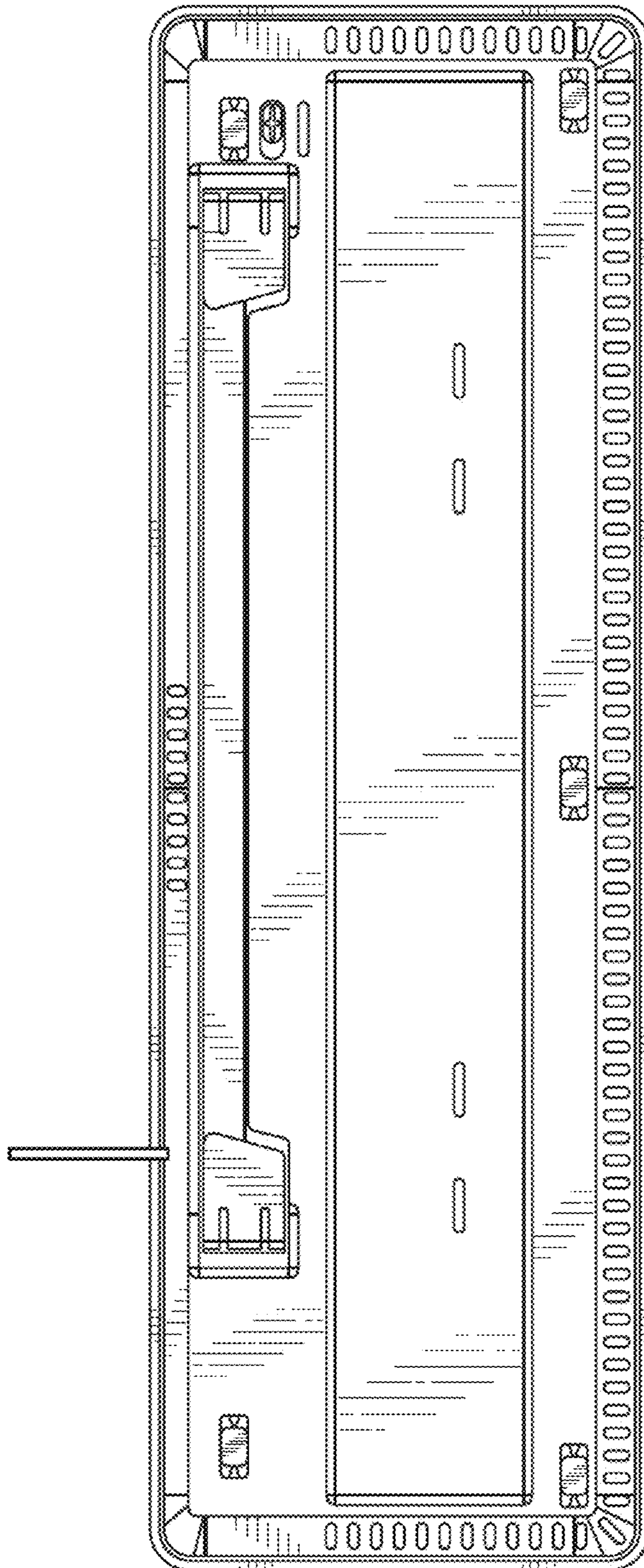


FIG 4

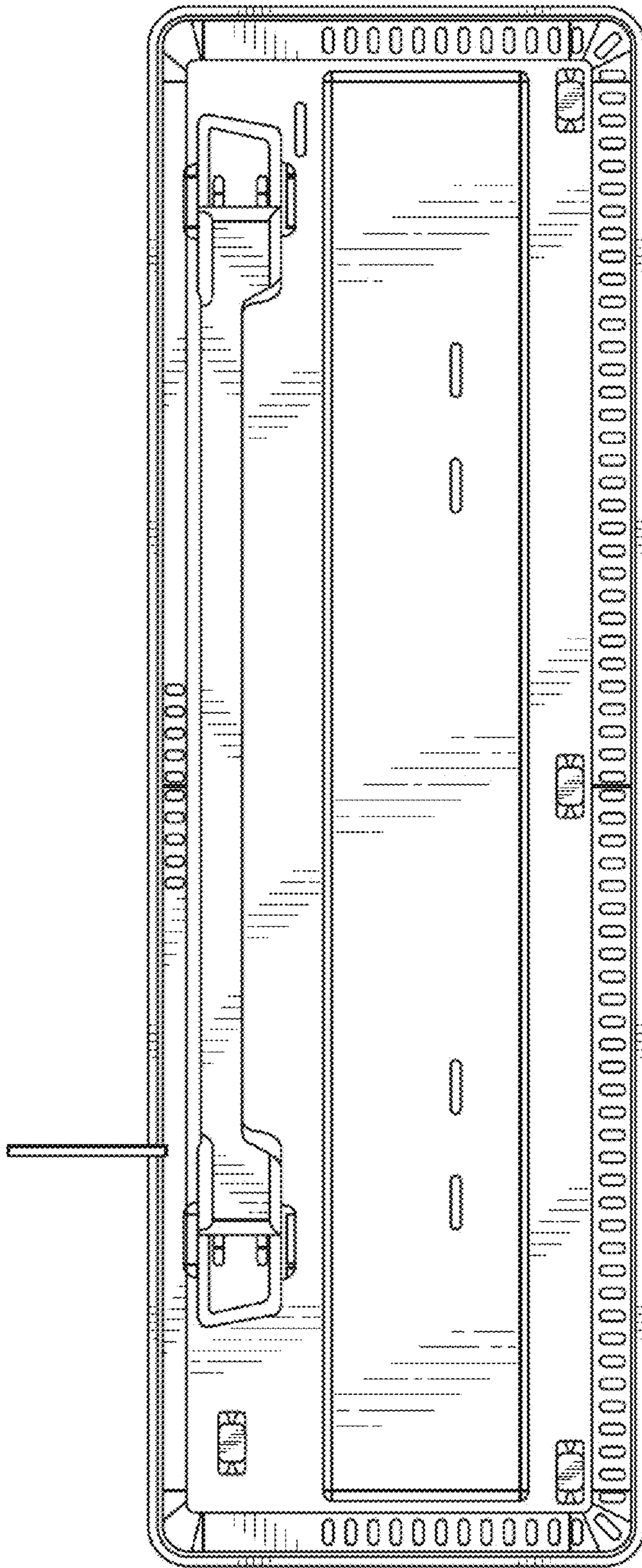


FIG 5



FIG. 6

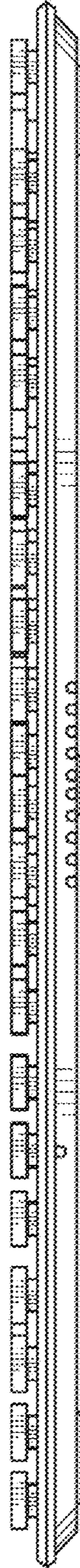


FIG. 7

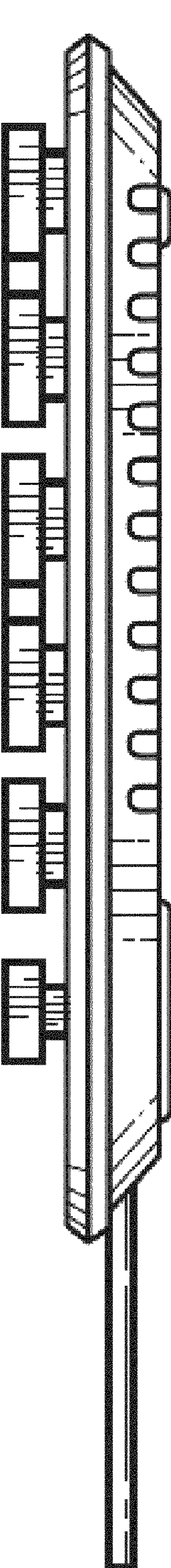


FIG. 8

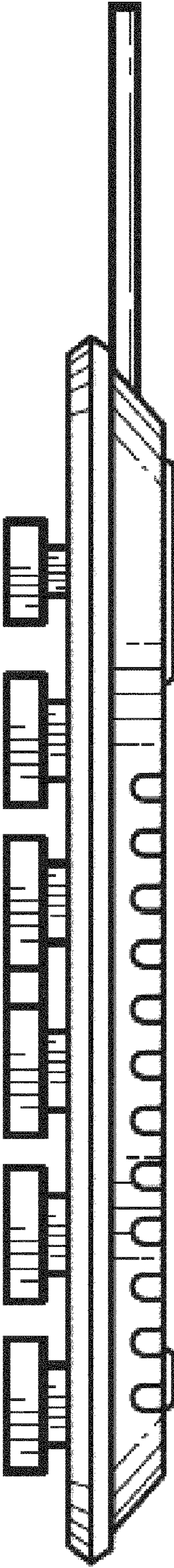


FIG. 9

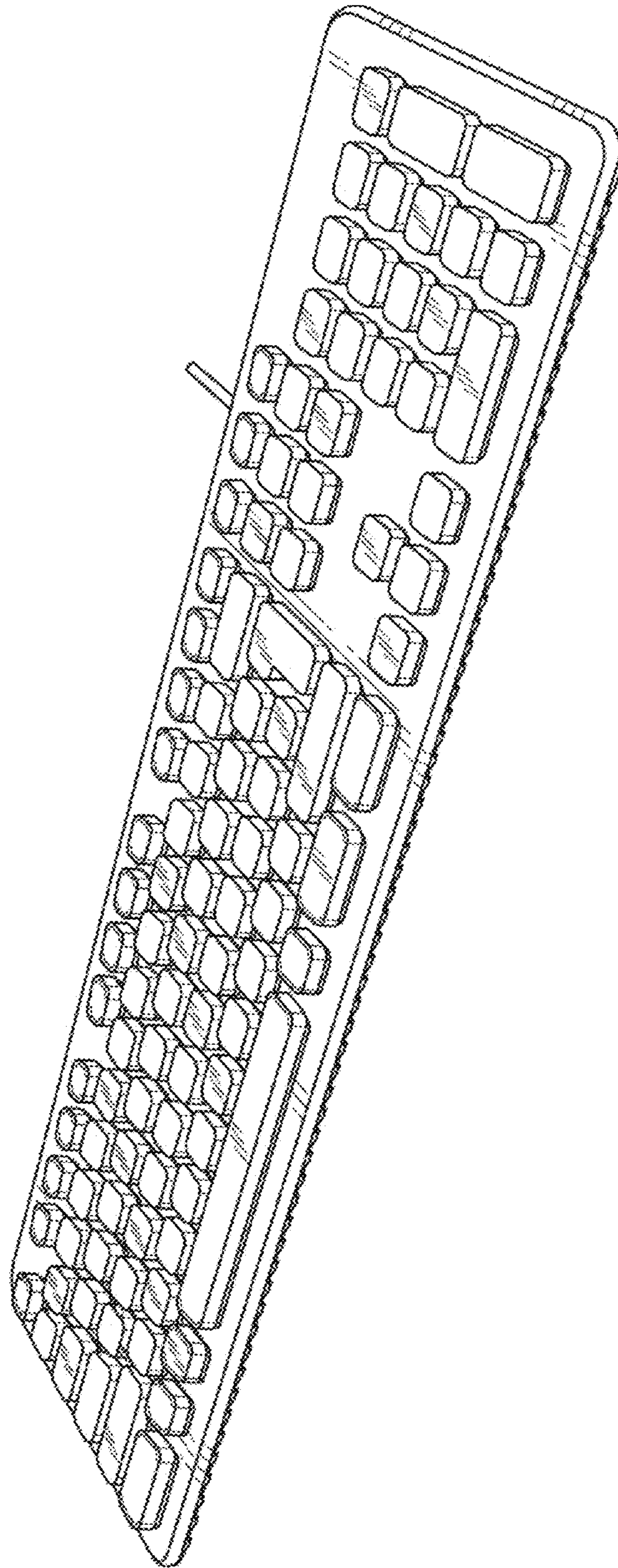


FIG. 10

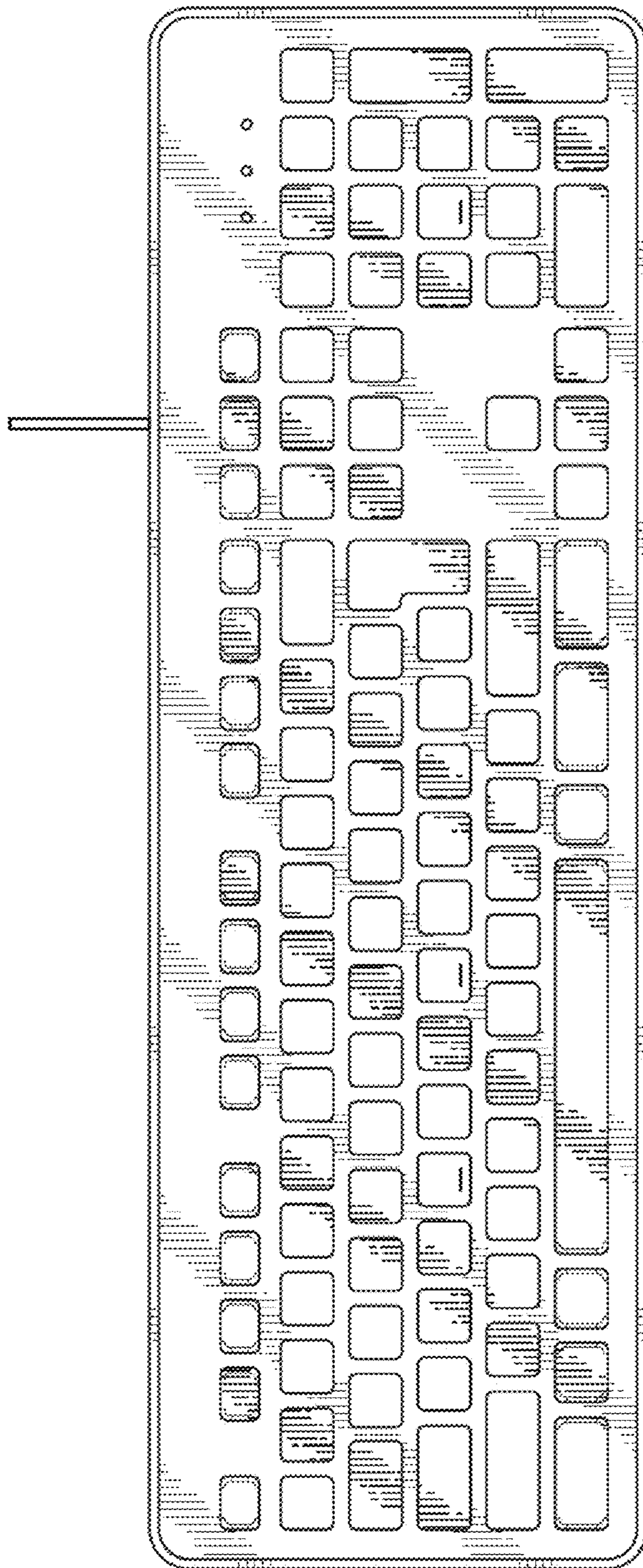


FIG. 11

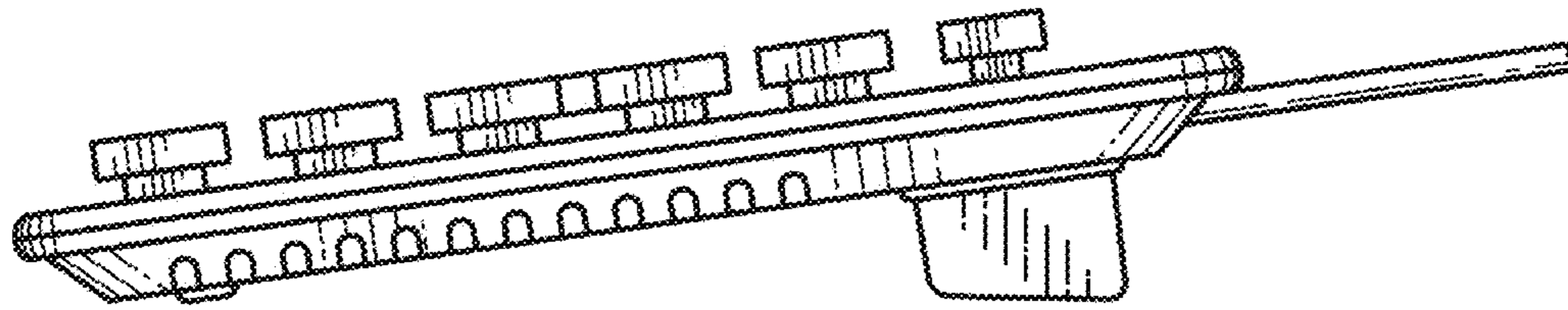


FIG. 12

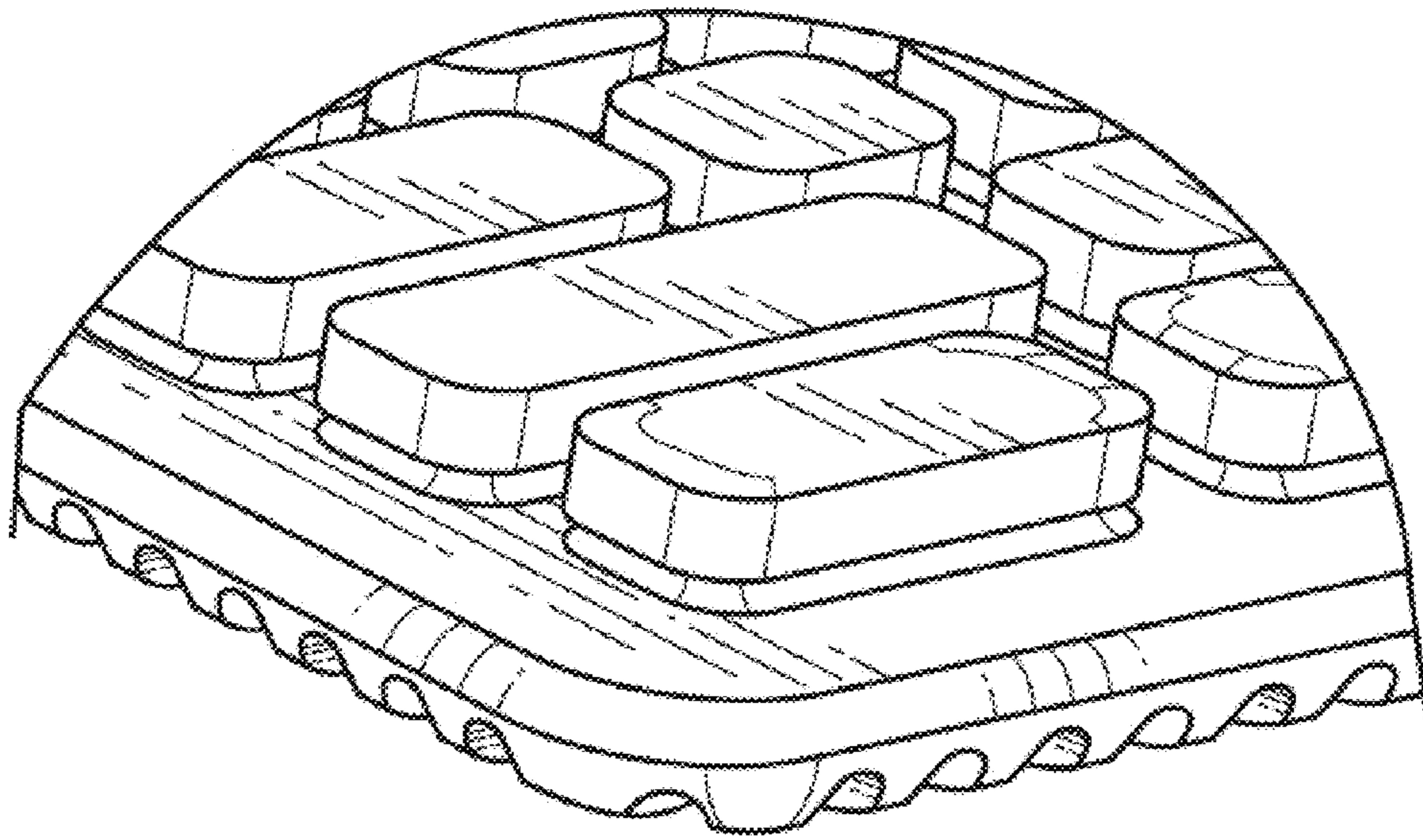


FIG. 13

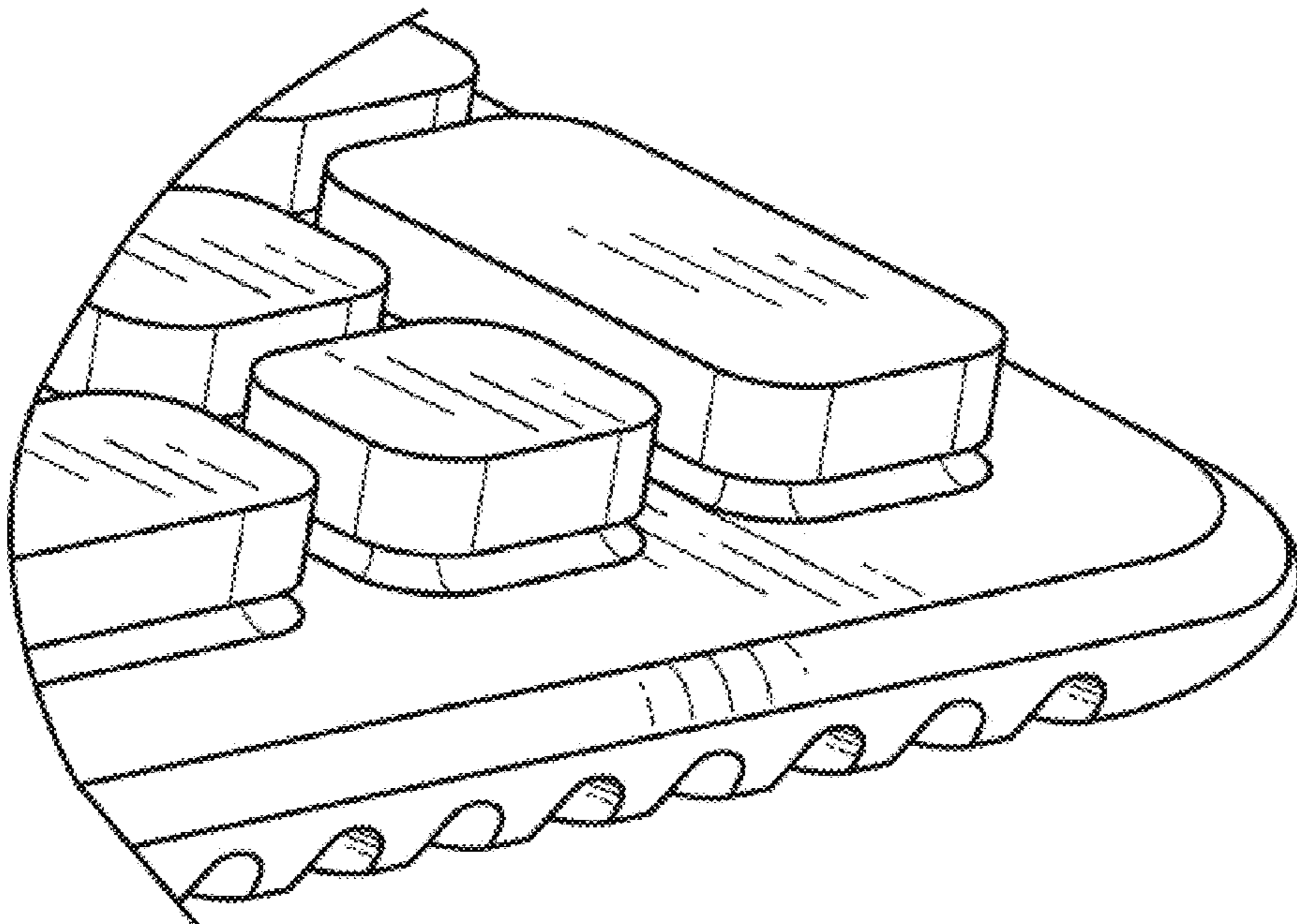


FIG. 14