



US00D695292S

(12) **United States Design Patent**  
**Dumont et al.**

(10) **Patent No.:** **US D695,292 S**

(45) **Date of Patent:** **\*\* Dec. 10, 2013**

(54) **KEYBOARD WITH ELEVATED KEYS**

2011/0026209 A1\* 2/2011 Borse ..... 361/679.08

(75) Inventors: **Olivier Dumont**, Morges (CH); **Laurent Steiner**, Fechy (CH); **Marten Helwig**, Greystones (IE); **Zi Jun Song**, Su Zhou (CN)

\* cited by examiner

*Primary Examiner* — Freda S Nunn

(74) *Attorney, Agent, or Firm* — Kilpatrick, Townsend & Stockton LLP

(73) Assignee: **Logitech Europe S.A.**, Morges (CH)

(57) **CLAIM**

(\*\*) Term: **14 Years**

The ornamental design for a keyboard with elevated keys, as shown and described.

(21) Appl. No.: **29/424,864**

**DESCRIPTION**

(22) Filed: **Jun. 15, 2012**

(51) **LOC (9) Cl.** ..... **14-02**

(52) **U.S. Cl.**  
USPC ..... **D14/392**

(58) **Field of Classification Search**  
USPC ..... D14/391–399, 455, 456; D18/1, 2, 7, D18/24, 29, 30, 32; 178/17 A, 17 C; 200/5 A, 200/5 R, 6 A, 6 R; 235/145 A, 145 R; 345/160, 168, 169, 173; 341/22, 23; 400/484–489, 492; 361/679.08, 361/679.09, 679.1, 679.11–679.19  
See application file for complete search history.

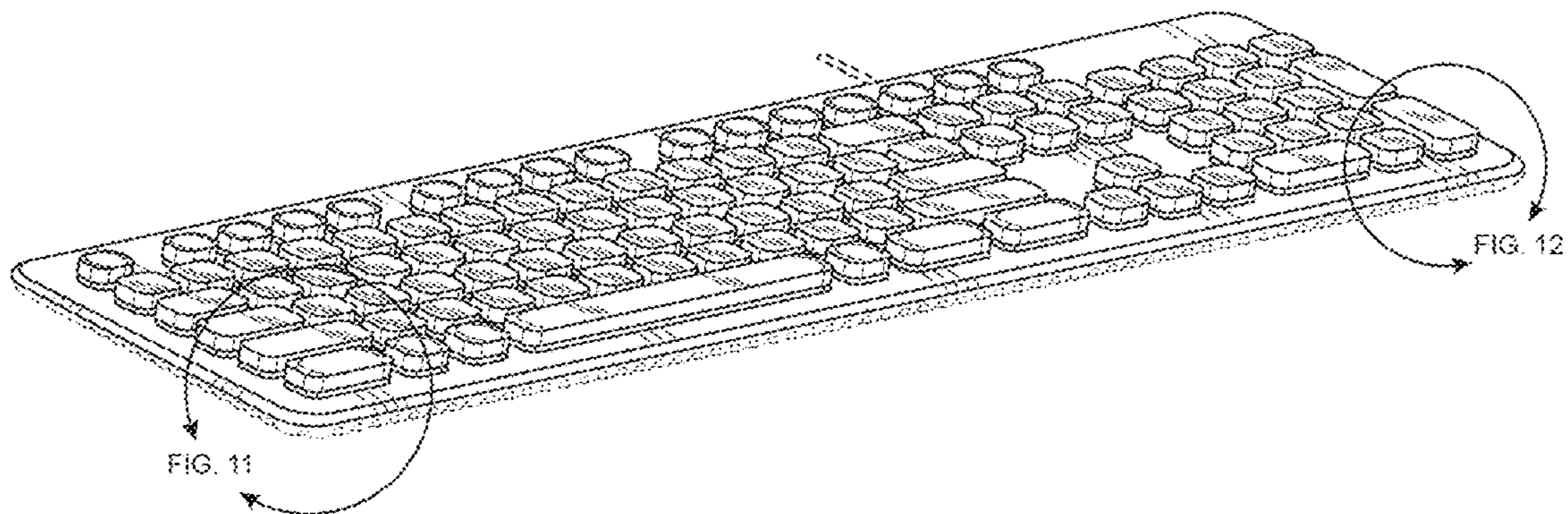
FIG. 1 is a first perspective view of a keyboard with elevated keys showing our new design;  
FIG. 2 is a second perspective view thereof;  
FIG. 3 is a top plan view thereof;  
FIG. 4 is a bottom plan view thereof with keyboard legs folded in;  
FIG. 5 is a front elevational view thereof;  
FIG. 6 is a rear elevational view thereof;  
FIG. 7 is a left side elevational view thereof;  
FIG. 8 is a right side elevational view thereof;  
FIG. 9 is a perspective view of a second embodiment thereof;  
FIG. 10 is a top plan view thereof;  
FIG. 11 is an enlarged fragmented section of keys shown on the left side of the keyboard as indicated in FIG. 1; and,  
FIG. 12 is an enlarged fragmented section of keys shown on the right side of the keyboard as indicated in FIG. 1.  
Broken lines shown in the drawings illustrate portions of the keyboard and form no part of the claimed design.

(56) **References Cited**

**U.S. PATENT DOCUMENTS**

- D482,362 S \* 11/2003 Goto ..... D14/392
- D534,533 S \* 1/2007 Nguyen et al. .... D14/391
- D607,451 S \* 1/2010 Wang et al. .... D14/392
- 2010/0073855 A1\* 3/2010 Liang et al. .... 361/679.08

**1 Claim, 9 Drawing Sheets**



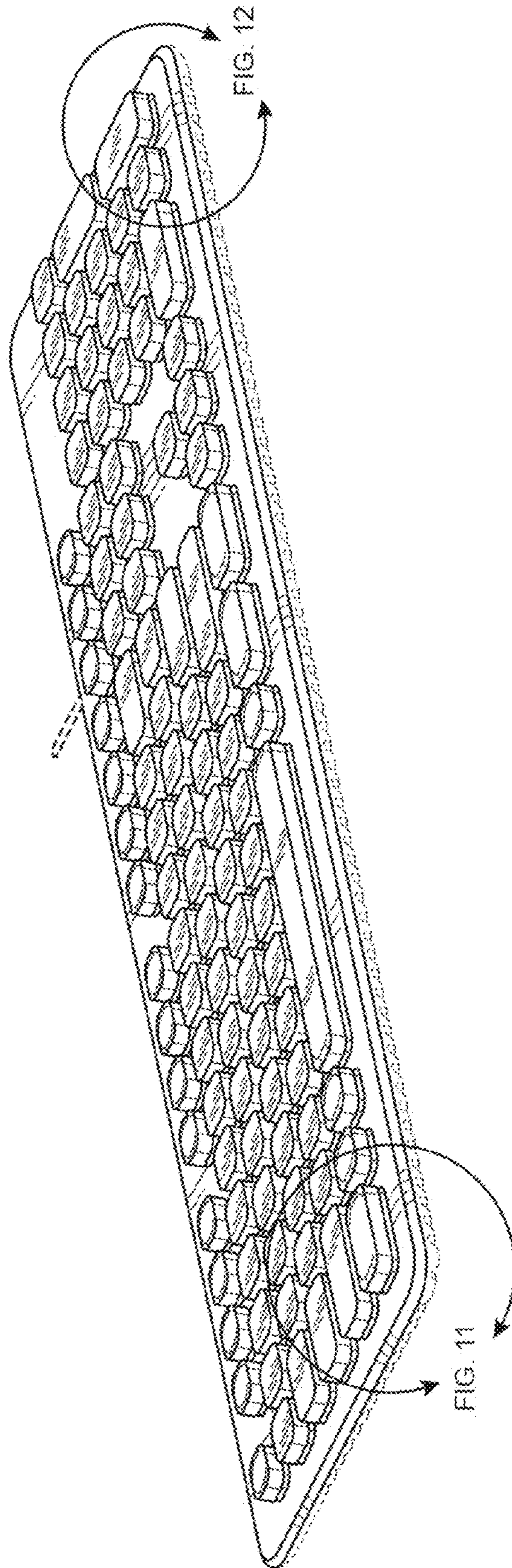


FIG. 1

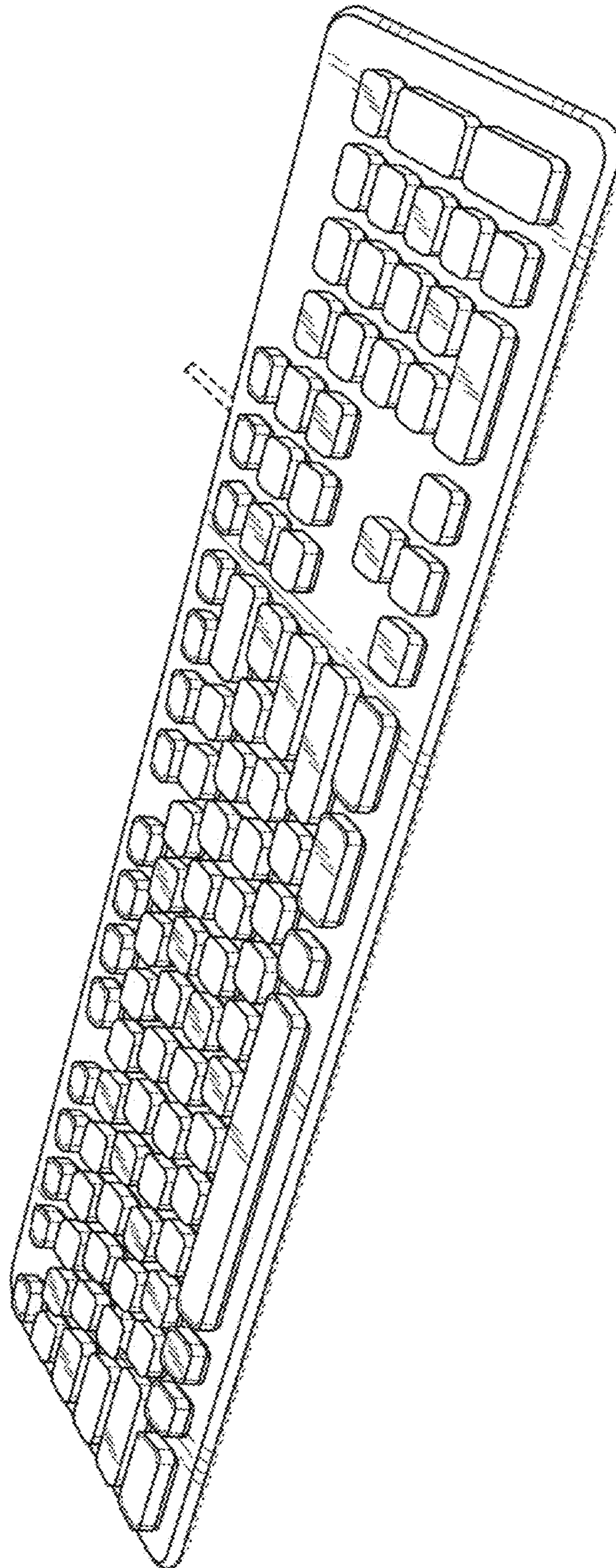


FIG. 2

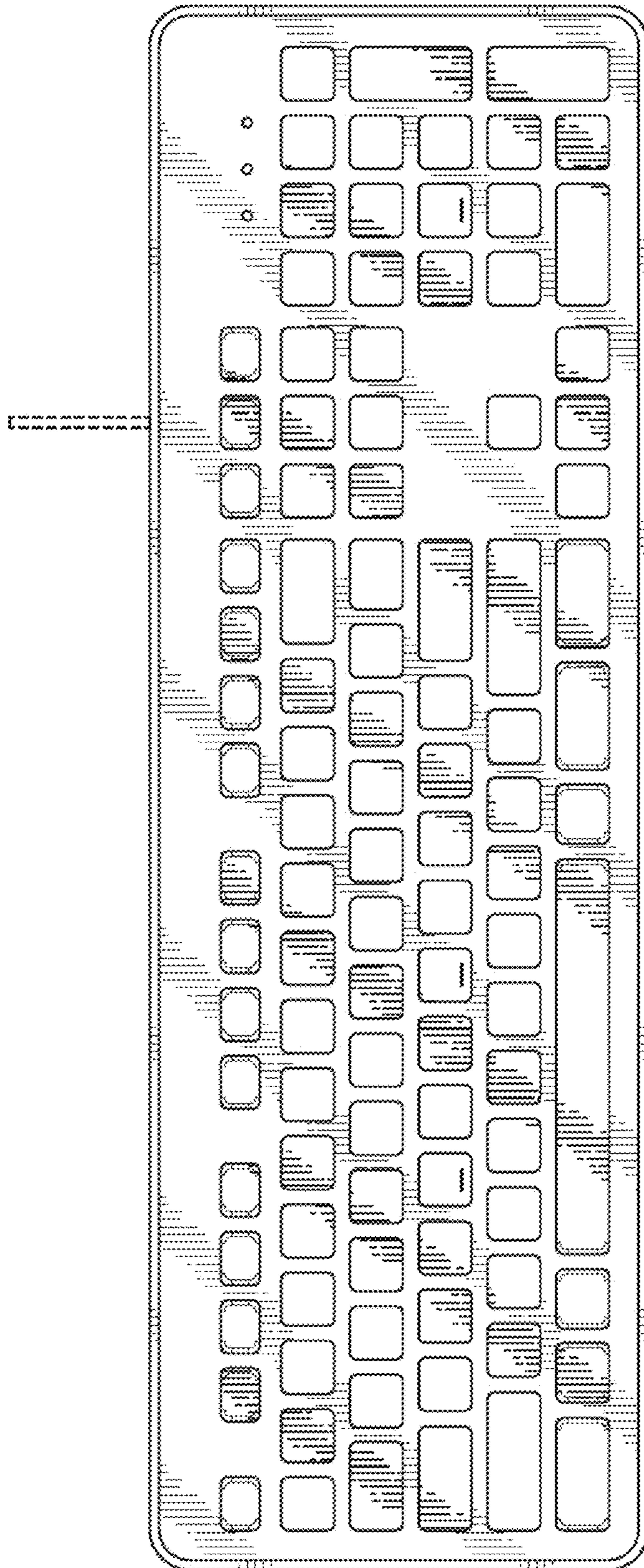


FIG. 3

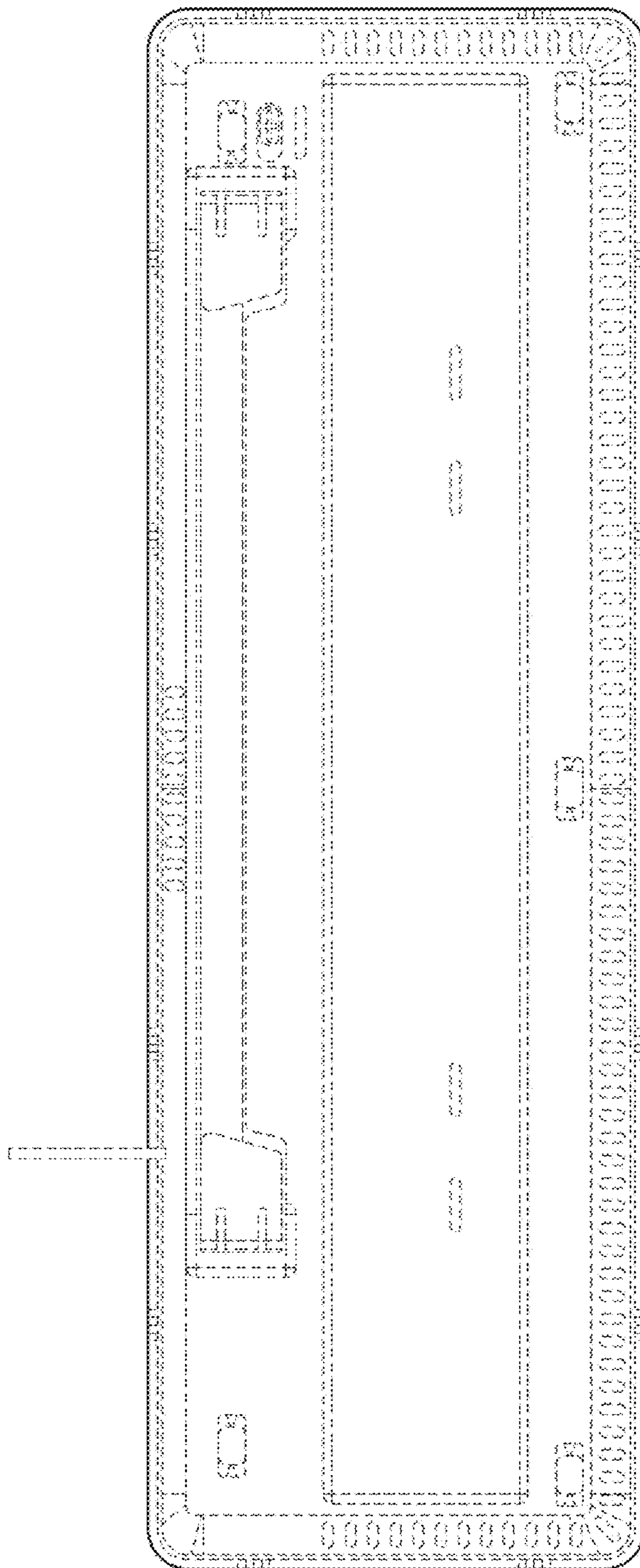


FIG 4

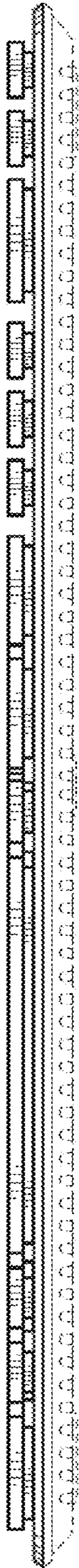


FIG. 5

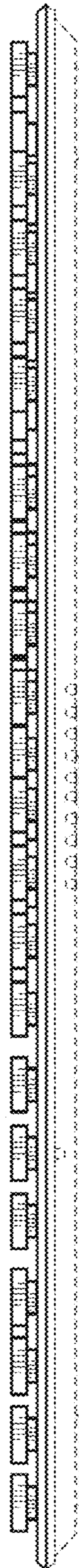


FIG. 6

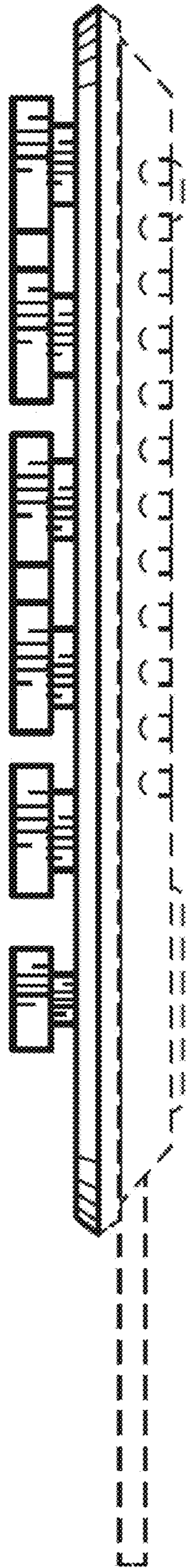


FIG. 7

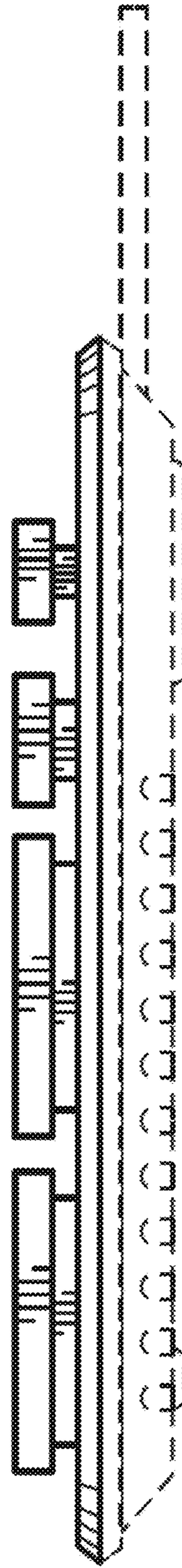


FIG. 8

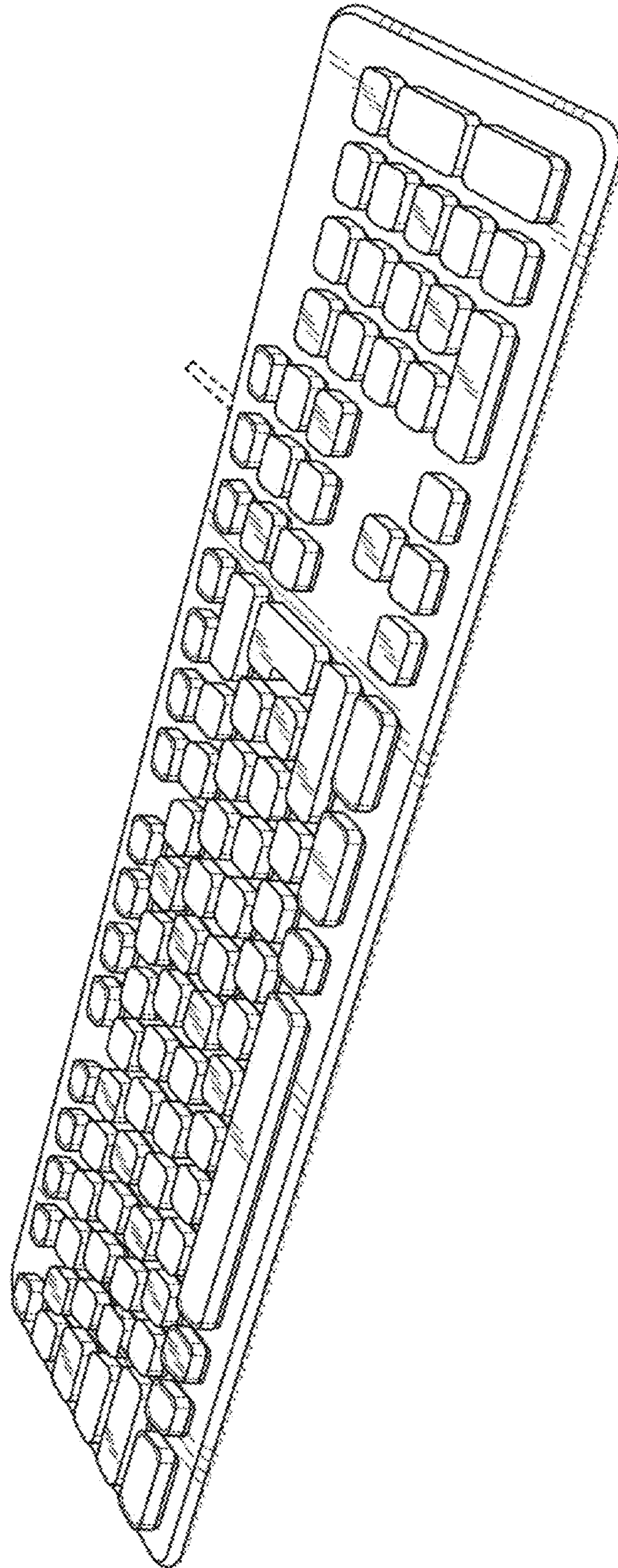


FIG. 9



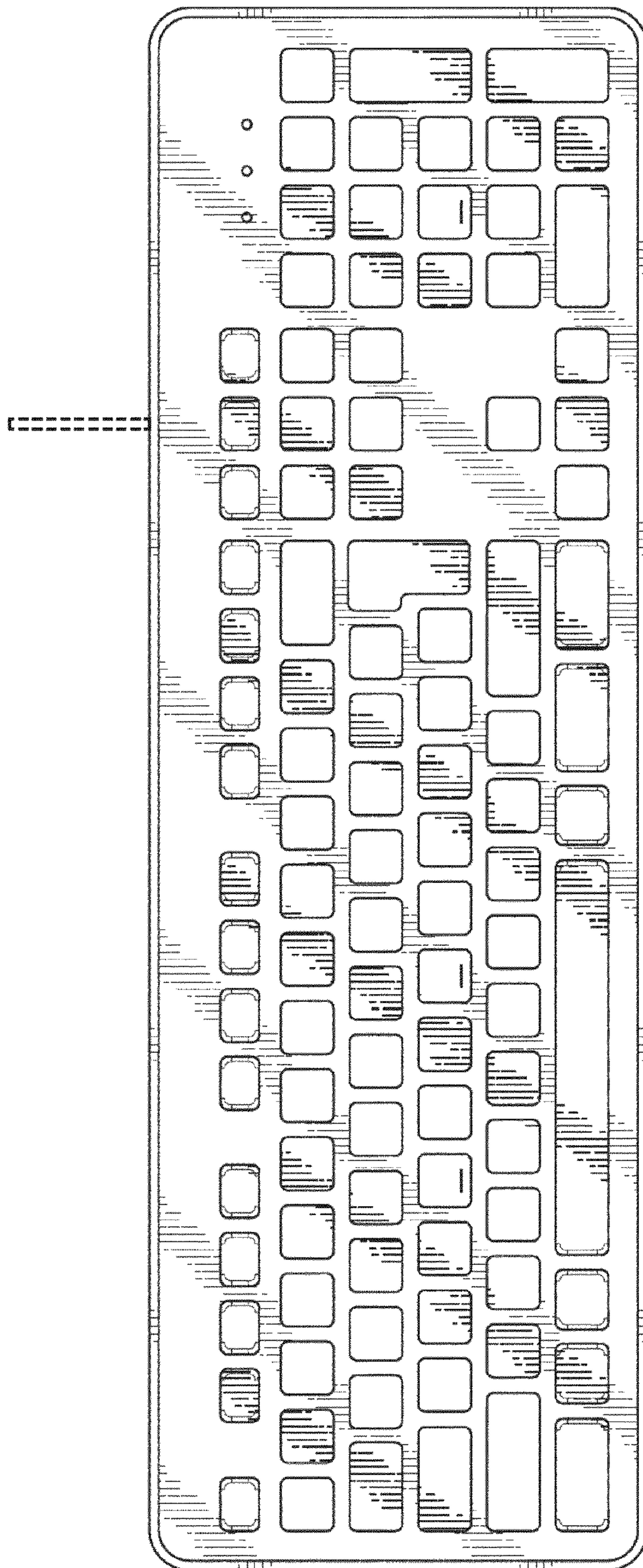


FIG. 10

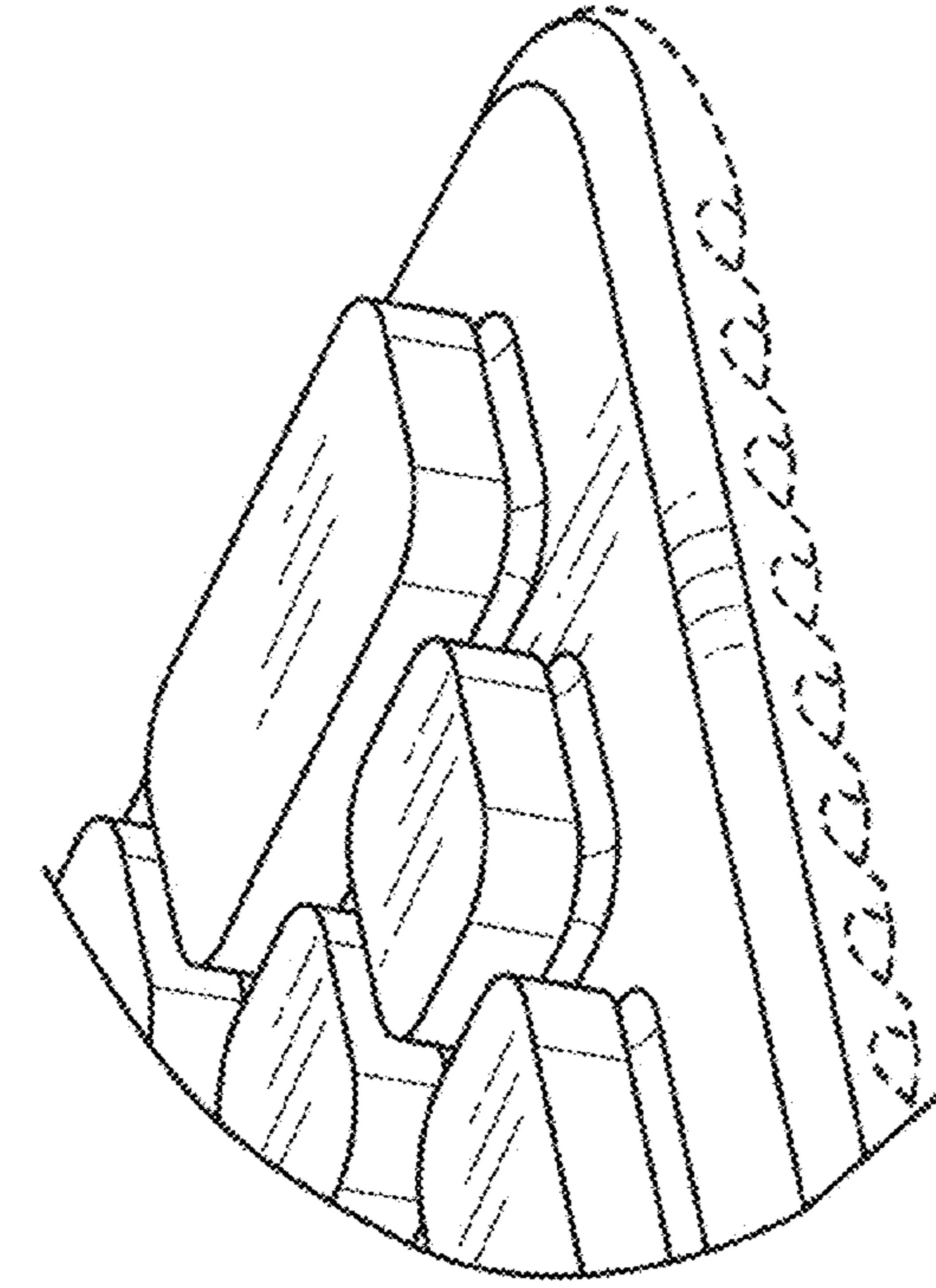


FIG. 11

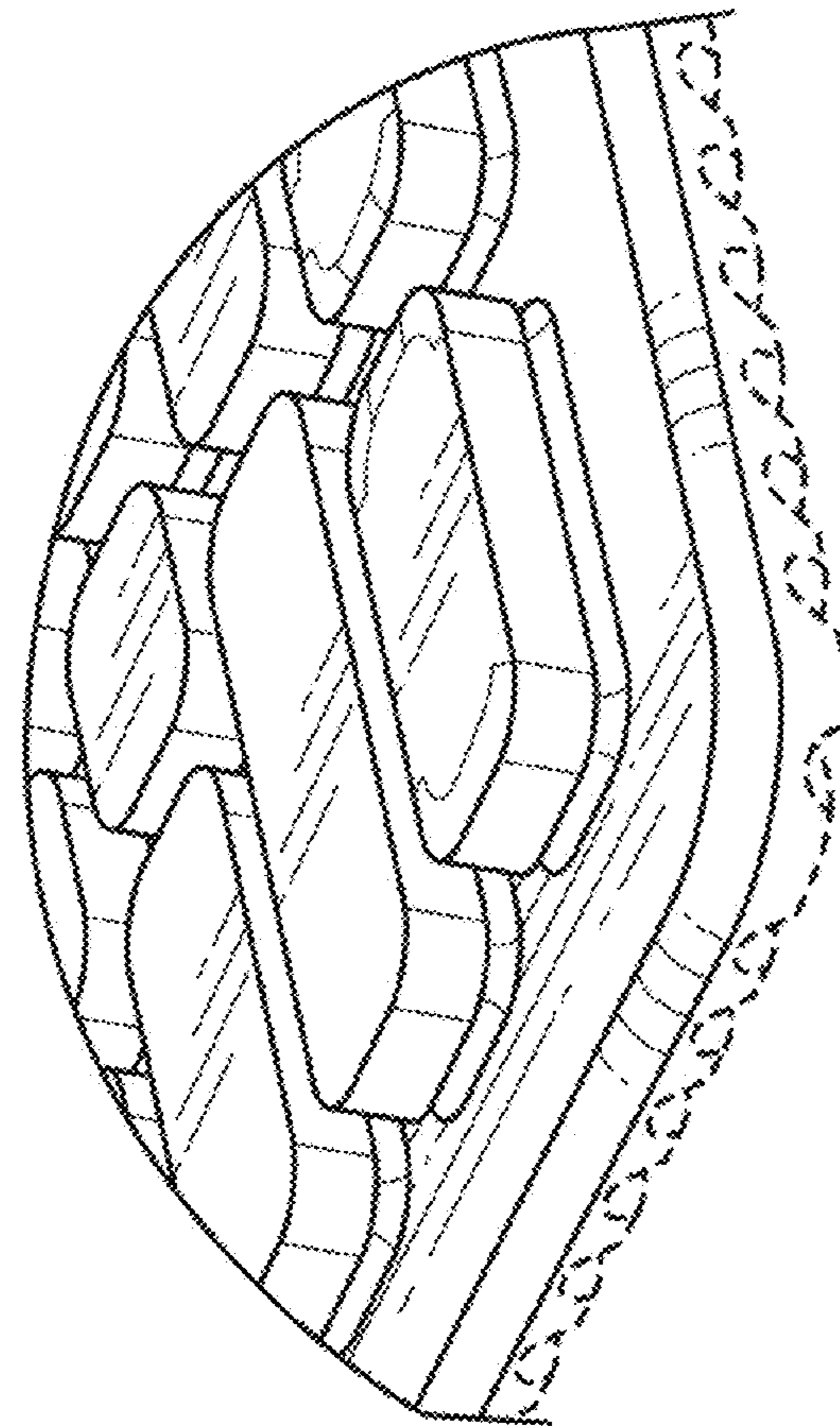


FIG. 12