



US00D695290S

(12) **United States Design Patent**
Fukuoka

(10) **Patent No.:** **US D695,290 S**

(45) **Date of Patent:** **** Dec. 10, 2013**

(54) **HARD DISK DRIVE**

(75) Inventor: **Yasushi Fukuoka**, Tokyo (JP)

(73) Assignee: **Kabushiki Kaisha Toshiba** (JP)

(**) Term: **14 Years**

(21) Appl. No.: **29/430,894**

(22) Filed: **Aug. 31, 2012**

(30) **Foreign Application Priority Data**

May 9, 2012 (JP) 2012-010709

(51) **LOC (9) Cl.** **14-02**

(52) **U.S. Cl.**
USPC **D14/365**

(58) **Field of Classification Search**
USPC D14/300–302, 314, 348–370, 383–385,
D14/435, 496, 125, 135, 155, 240–242,
D14/299; D3/273; D9/432; D10/65, 75, 78;
D13/103, 119, 162, 184, 199;
361/679.31–679.45; 312/223.2
See application file for complete search history.

(56) **References Cited**

U.S. PATENT DOCUMENTS

D268,328 S *	3/1983	Lovett, Jr.	D3/295
D324,854 S *	3/1992	Lee	D14/354
D347,826 S *	6/1994	Noble	D14/354
D355,168 S *	2/1995	Grove	D14/354
D358,135 S *	5/1995	Chiodo et al.	D14/354
D363,703 S *	10/1995	Ray et al.	D14/355
D433,410 S *	11/2000	Matsuzaka	D14/365
D525,968 S *	8/2006	Peng et al.	D14/300
7,667,960 B2 *	2/2010	Miyairi	361/679.34
D641,364 S *	7/2011	McParland	D14/356

FOREIGN PATENT DOCUMENTS

JP 1419123 7/2011
KR 30-0547149 12/2009

OTHER PUBLICATIONS

Toshiba Canvio Slim II Portable External Hard Drive Announced |
Ubergizmo, [online] Jun. 18, 2013 [retrieved on Jul. 2, 2013].
Retrieved from the Internet <URL: <http://www.ubergizmo.com/2013/06/toshiba-canvio-slim-ii-portable-external-hard-drive-announced/>>.*

Canvio Desk. Expand your digital storage | Toshiba, [online],
[retrieved on Jul. 2, 2013]. Retrieved from the Internet <URL: <http://us.toshiba.com/computers/storage/desktop/canvio-desk>>.*

Catalog (HDPC-US Series), I-O Data Kiki Kabushiki Kaisha,
Obtained by the applicant: Jan. 24, 2011 (3 pages).

* cited by examiner

Primary Examiner — Karen E Kearney

(74) *Attorney, Agent, or Firm* — Banner & Witcoff, Ltd.

(57) **CLAIM**

The ornamental design for hard disk drive, as shown and described.

DESCRIPTION

FIG. 1 is a perspective view of hard disk drive showing any new design,

FIG. 2 is a front elevational view thereof,

FIG. 3 is a rear elevational view thereof,

FIG. 4 is a left side elevational view thereof,

FIG. 5 is a right side elevational view thereof,

FIG. 6 is a top plan view thereof,

FIG. 7 is a bottom plan view thereof; and,

FIG. 8 is a right bottom perspective view thereof.

1 Claim, 6 Drawing Sheets

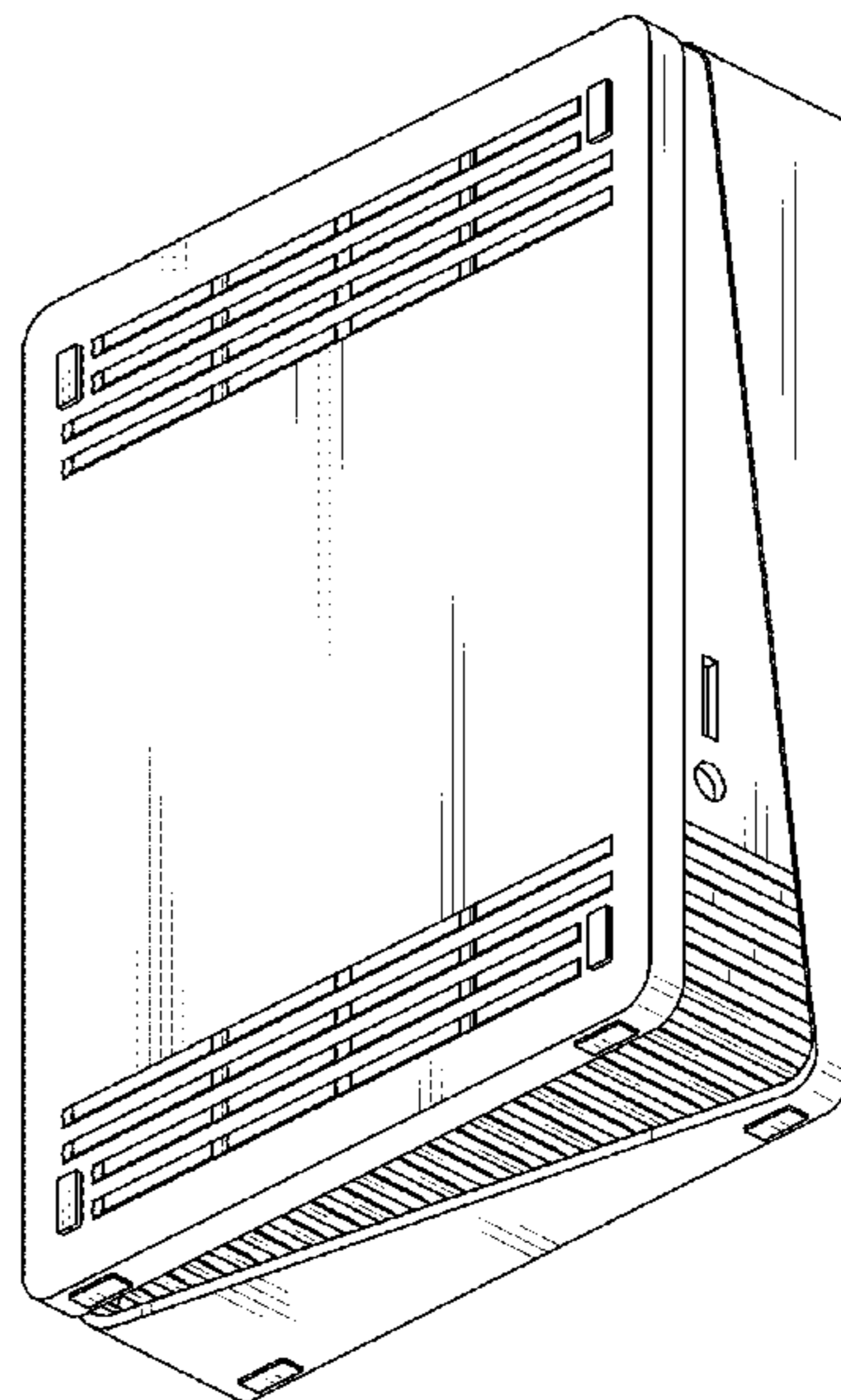
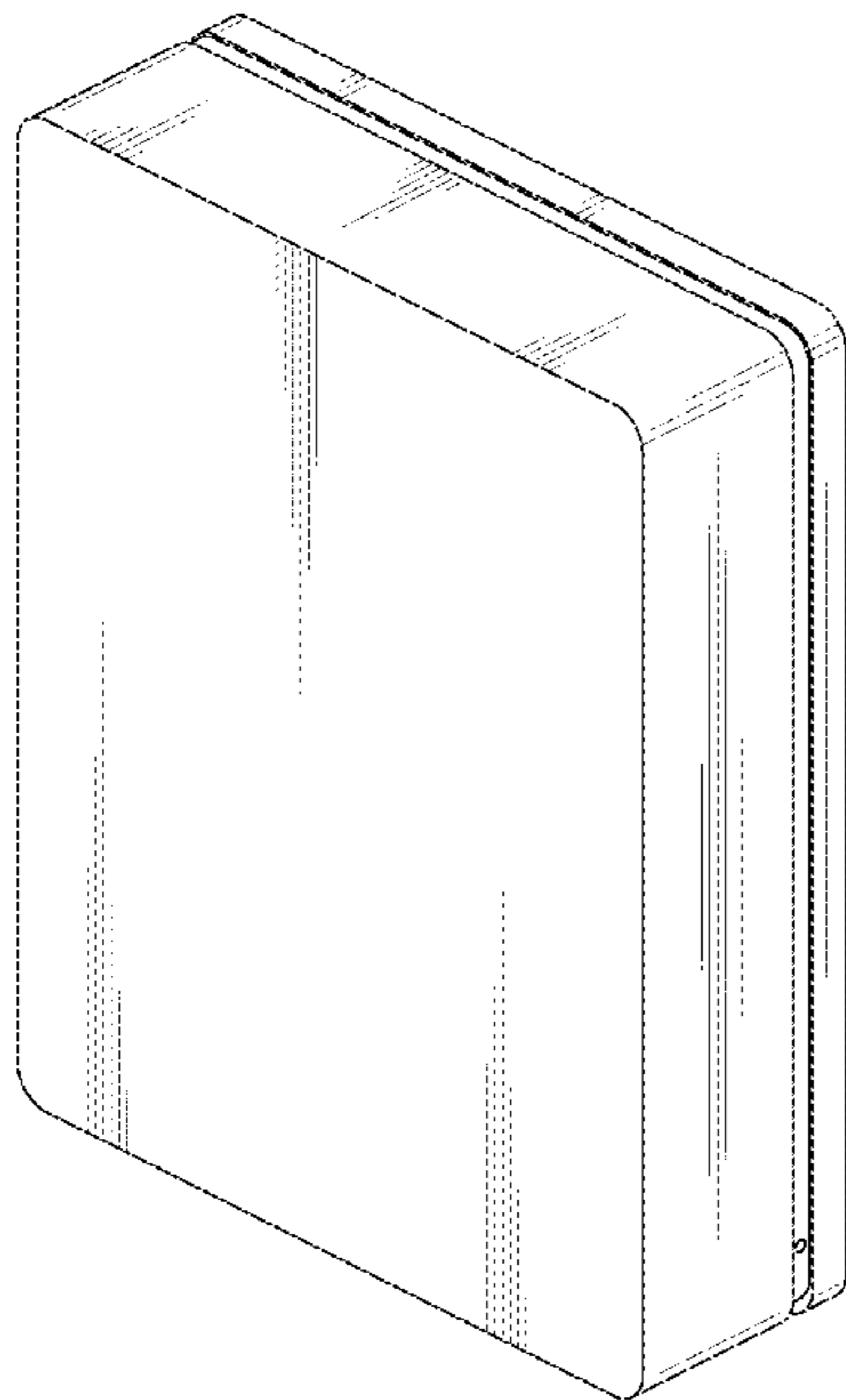


Fig. 1

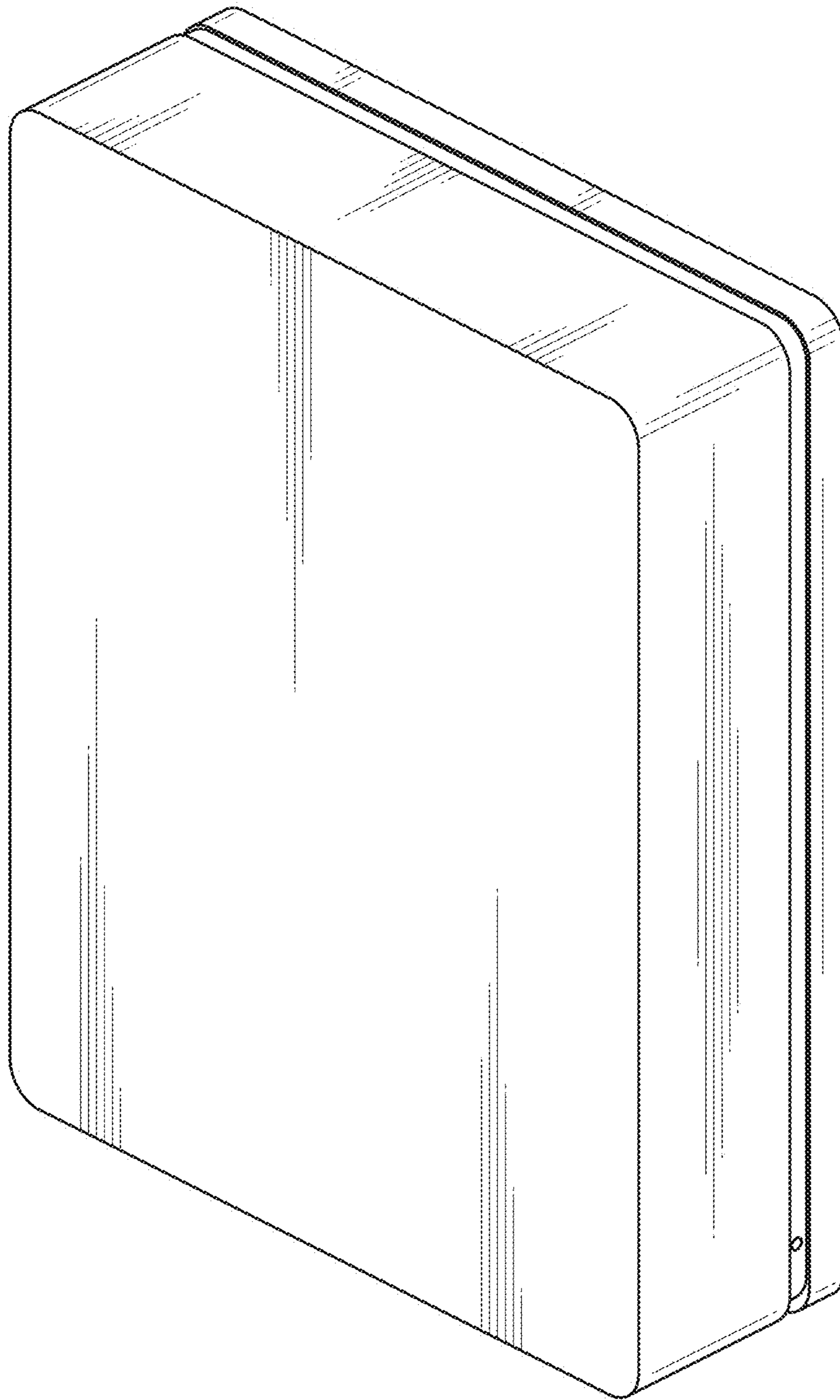


Fig. 2

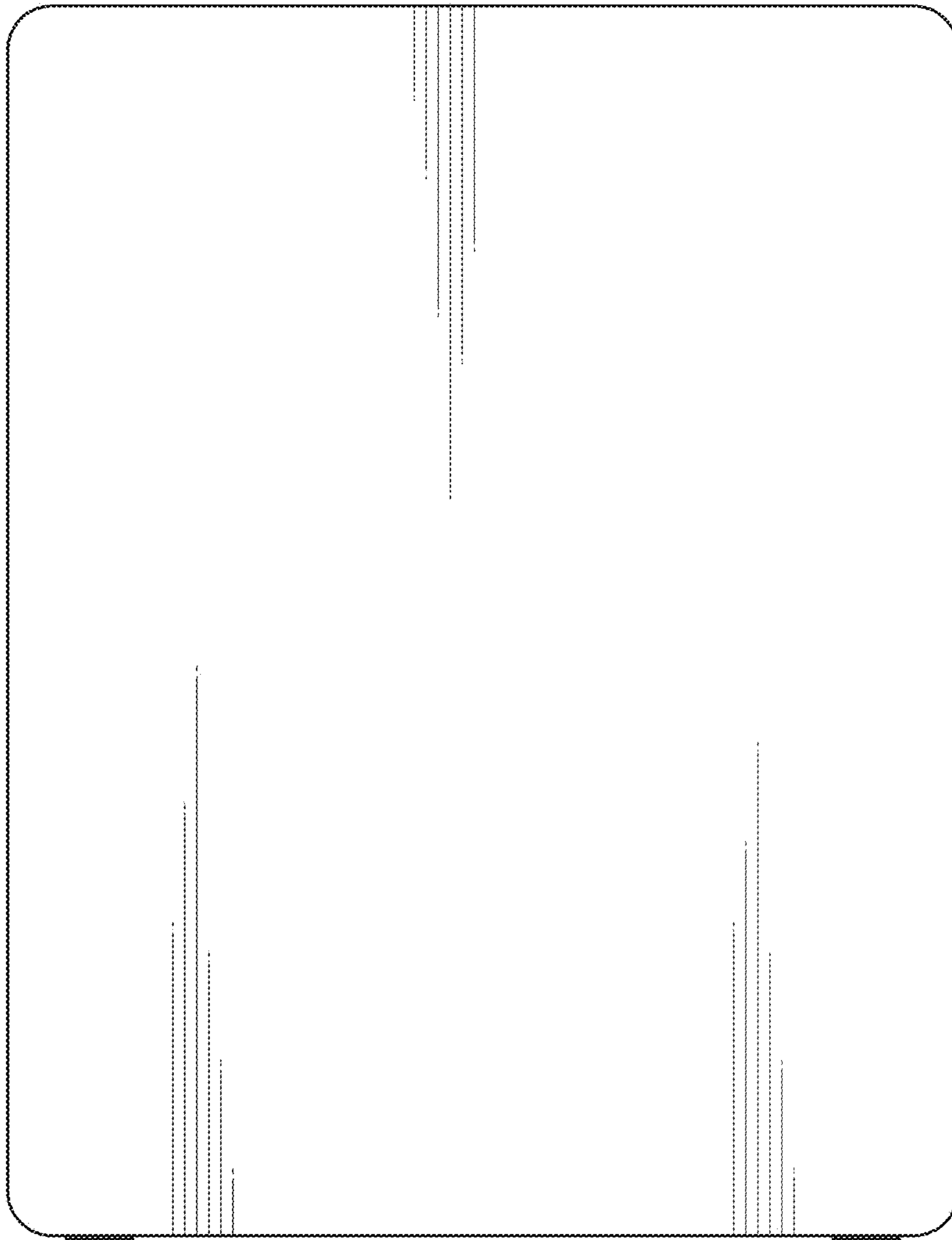


Fig. 3

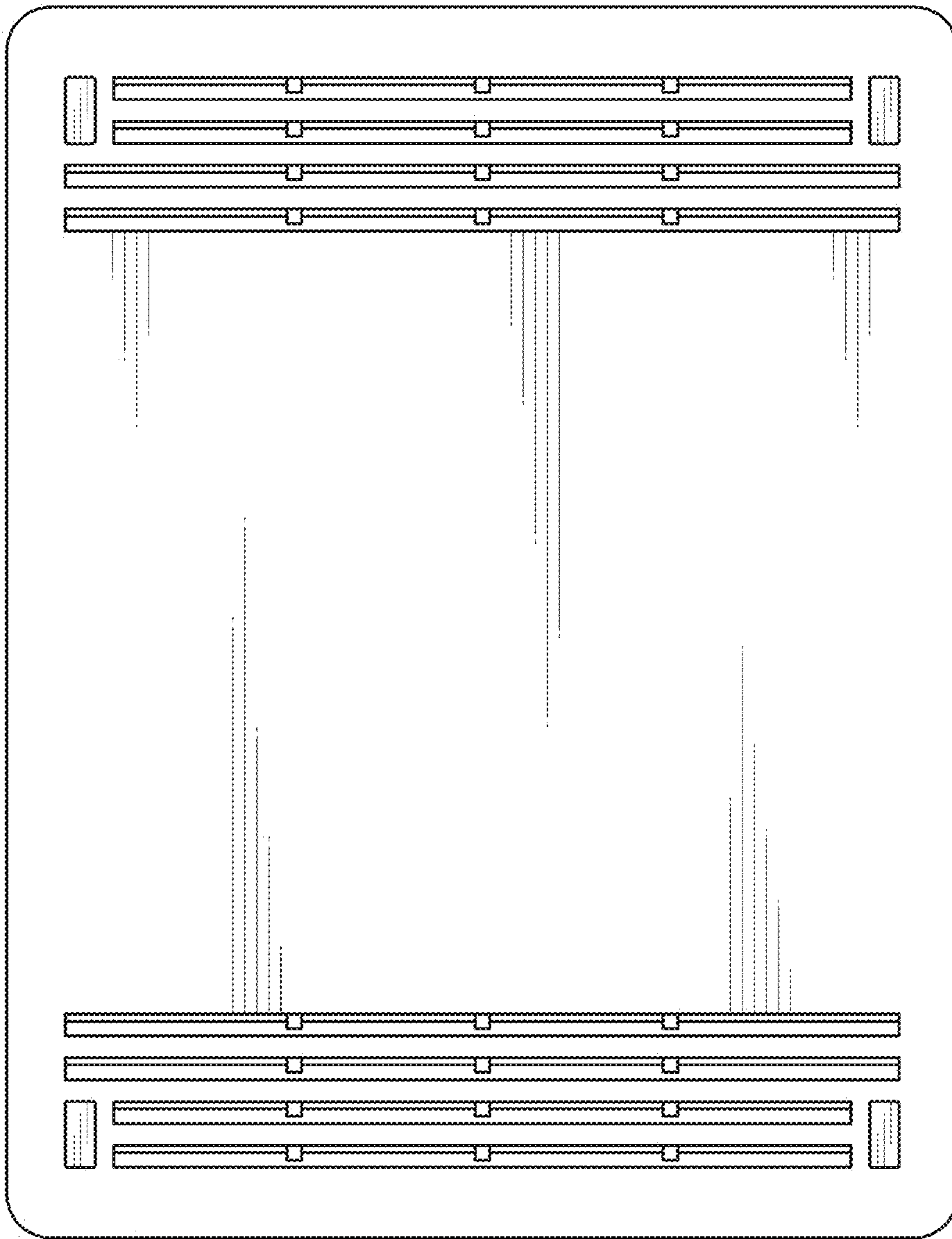


Fig. 4

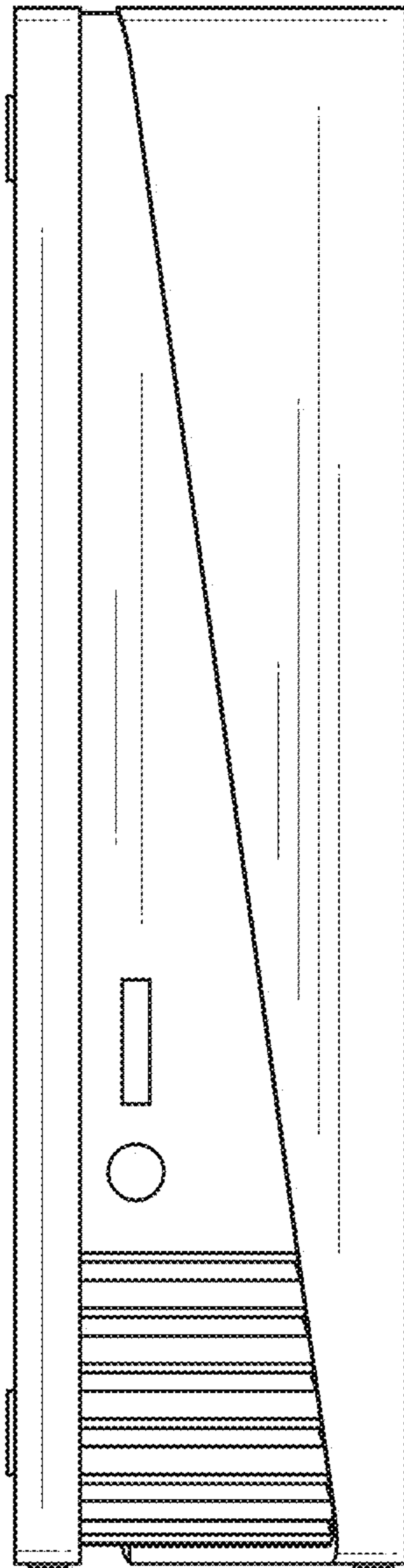


Fig. 5

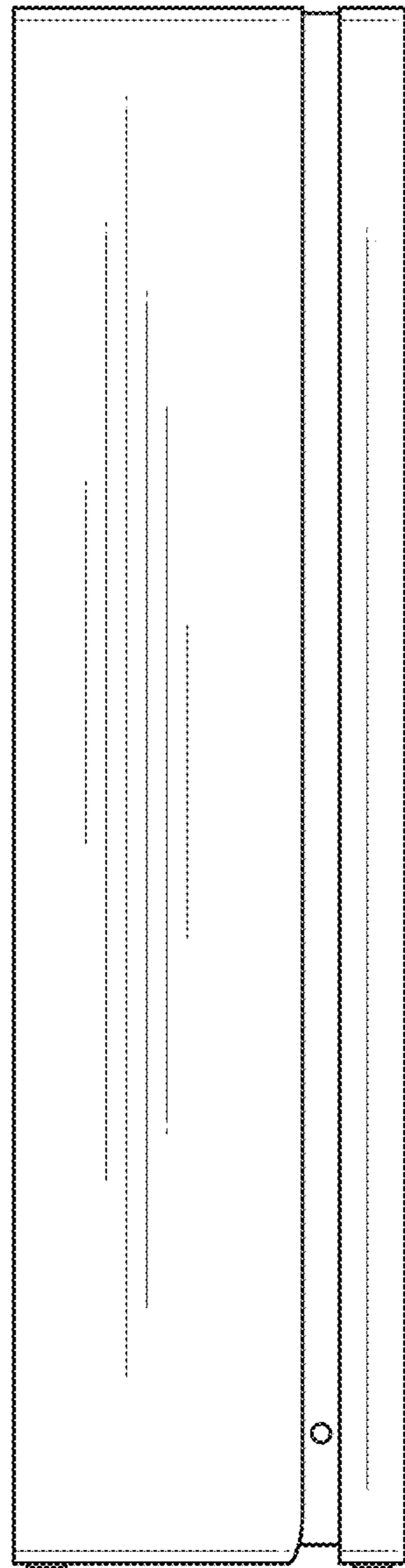


Fig. 6

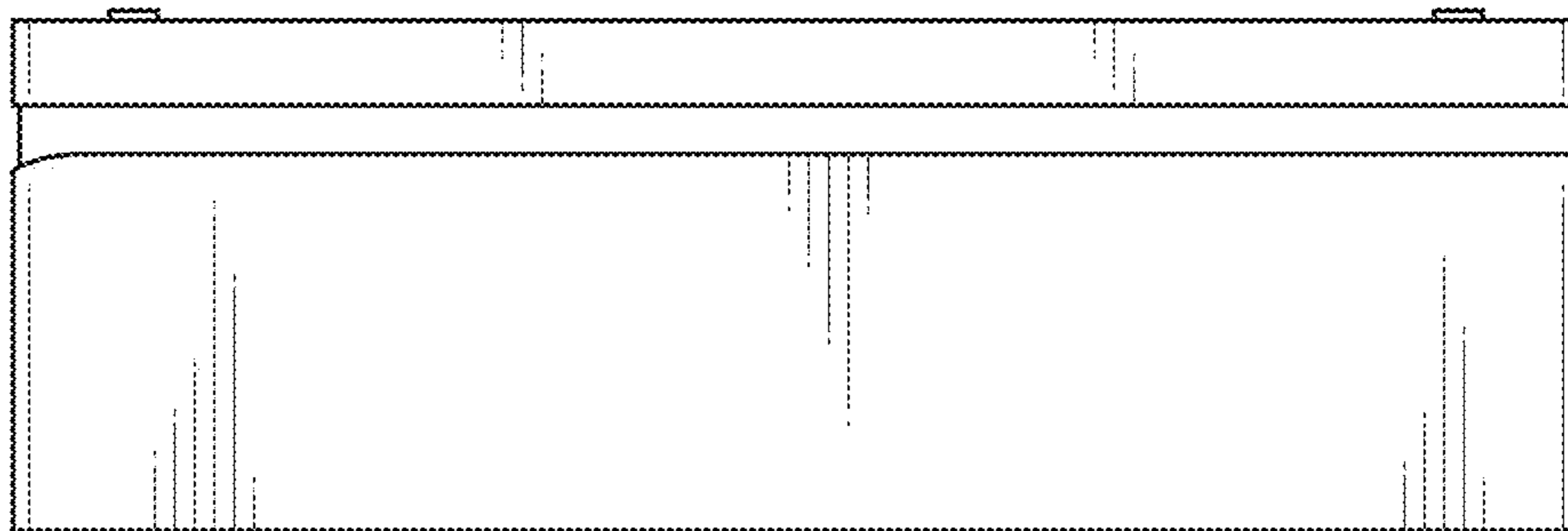


Fig. 7

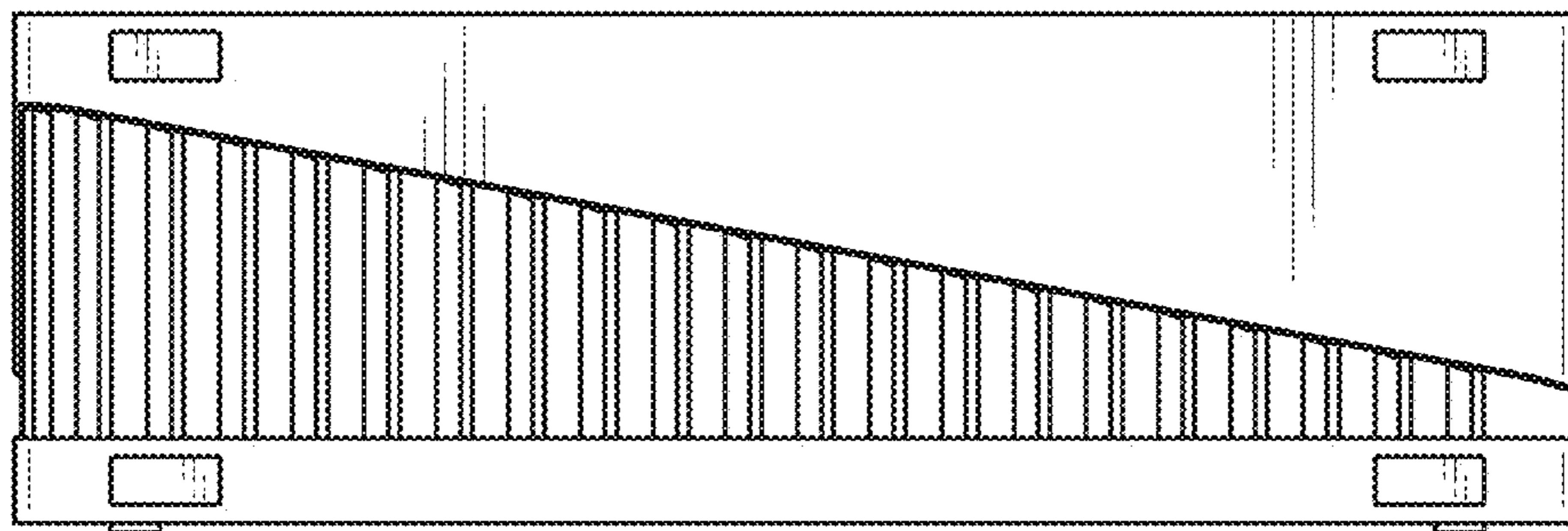


Fig. 8

