

US00D695289S

(12) **United States Design Patent**
Yamazaki

(10) **Patent No.:** **US D695,289 S**
(45) **Date of Patent:** **** Dec. 10, 2013**

(54) **COMPUTER DATA STORAGE DEVICE**
(71) Applicant: **Kabushiki Kaisha Toshiba**, Tokyo (JP)
(72) Inventor: **Shusuke Yamazaki**, Kanagawa (JP)
(73) Assignee: **Kabushiki Kaisha Toshiba** (JP)
(**) Term: **14 Years**

D374,965 S * 10/1996 Utsuki et al. D99/28
D390,202 S * 2/1998 Goto D14/349
D401,573 S * 11/1998 Goto D14/308
D436,952 S * 1/2001 Goto D14/349
D449,291 S * 10/2001 Oikawa D14/214
D494,160 S * 8/2004 Chen D14/314
D497,162 S * 10/2004 Neal et al. D14/349
7,269,003 B1 * 9/2007 Chung 361/679.33
D568,881 S * 5/2008 Hsiau D14/370

(21) Appl. No.: **29/435,255**
(22) Filed: **Oct. 22, 2012**

(30) **Foreign Application Priority Data**
Apr. 24, 2012 (JP) 2012-009472

(51) **LOC (9) Cl.** **14-02**
(52) **U.S. Cl.**
USPC **D14/364**; D14/368
(58) **Field of Classification Search**
USPC D14/300–302, 314, 348–370, 383–385,
D14/435, 496, 125, 135, 155, 240–242,
D14/299; D3/273; D9/432; D10/65, 75, 78;
D13/103, 119, 162, 184, 199;
361/679.31–679.45; 312/223.2
See application file for complete search history.

(56) **References Cited**
U.S. PATENT DOCUMENTS
D309,602 S * 7/1990 Makidera D14/370
D350,337 S * 9/1994 Riley et al. D14/352

FOREIGN PATENT DOCUMENTS

JP D1067888 4/2000
JP D1302990 6/2007

* cited by examiner

Primary Examiner — Karen E Kearney
(74) *Attorney, Agent, or Firm* — Banner & Witcoff, Ltd.

(57) **CLAIM**
The ornamental design for computer data storage device, as shown and described.

DESCRIPTION

FIG. 1 is a perspective view of computer data storage device showing my new design,
FIG. 2 is a front elevational view thereof,
FIG. 3 is a rear elevational view thereof,
FIG. 4 is a left side elevational view thereof, a right side elevational view being a mirror image thereof,
FIG. 5 is a top plan view thereof; and,
FIG. 6 is a bottom plan view thereof.

1 Claim, 6 Drawing Sheets

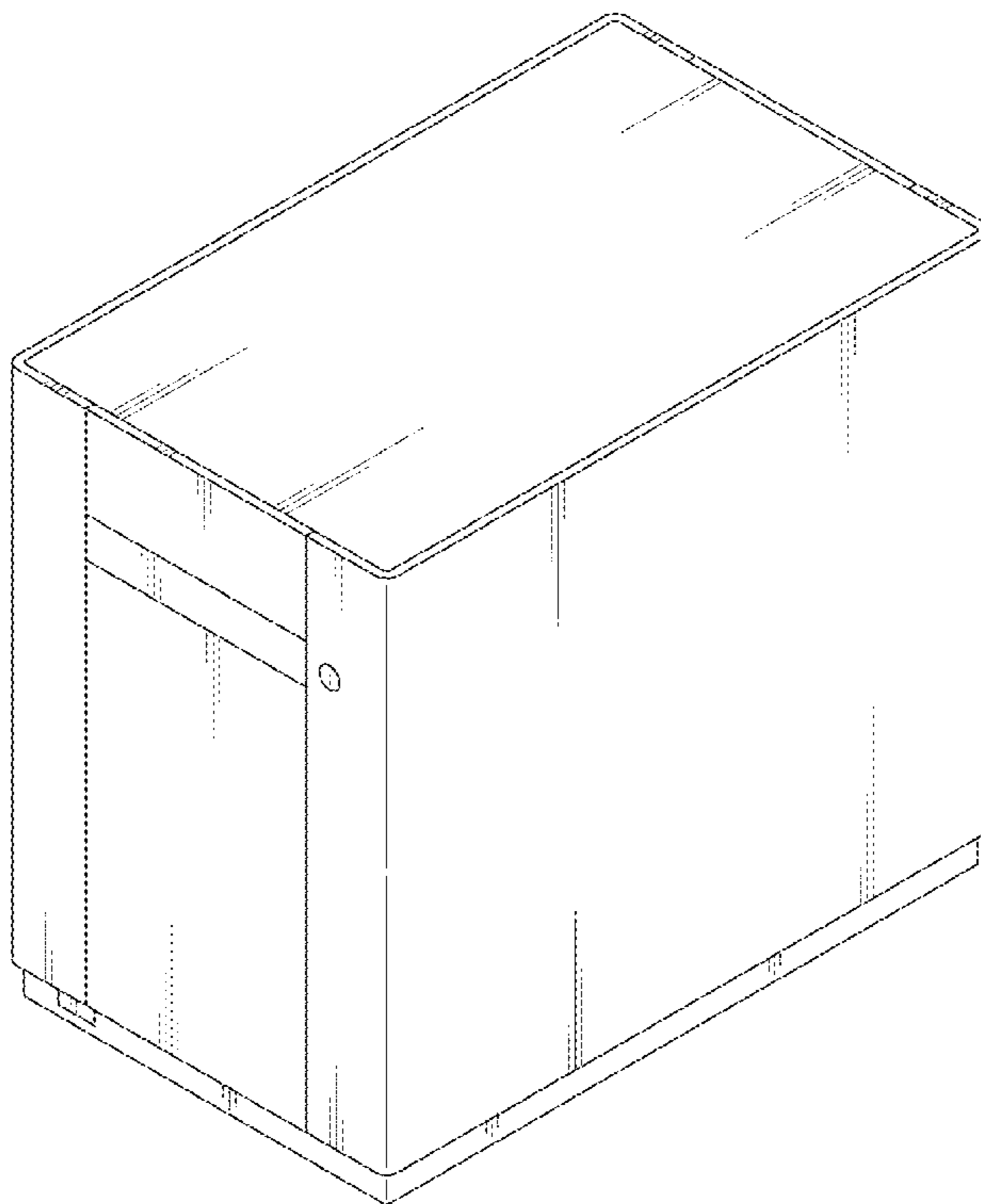


Fig. 1

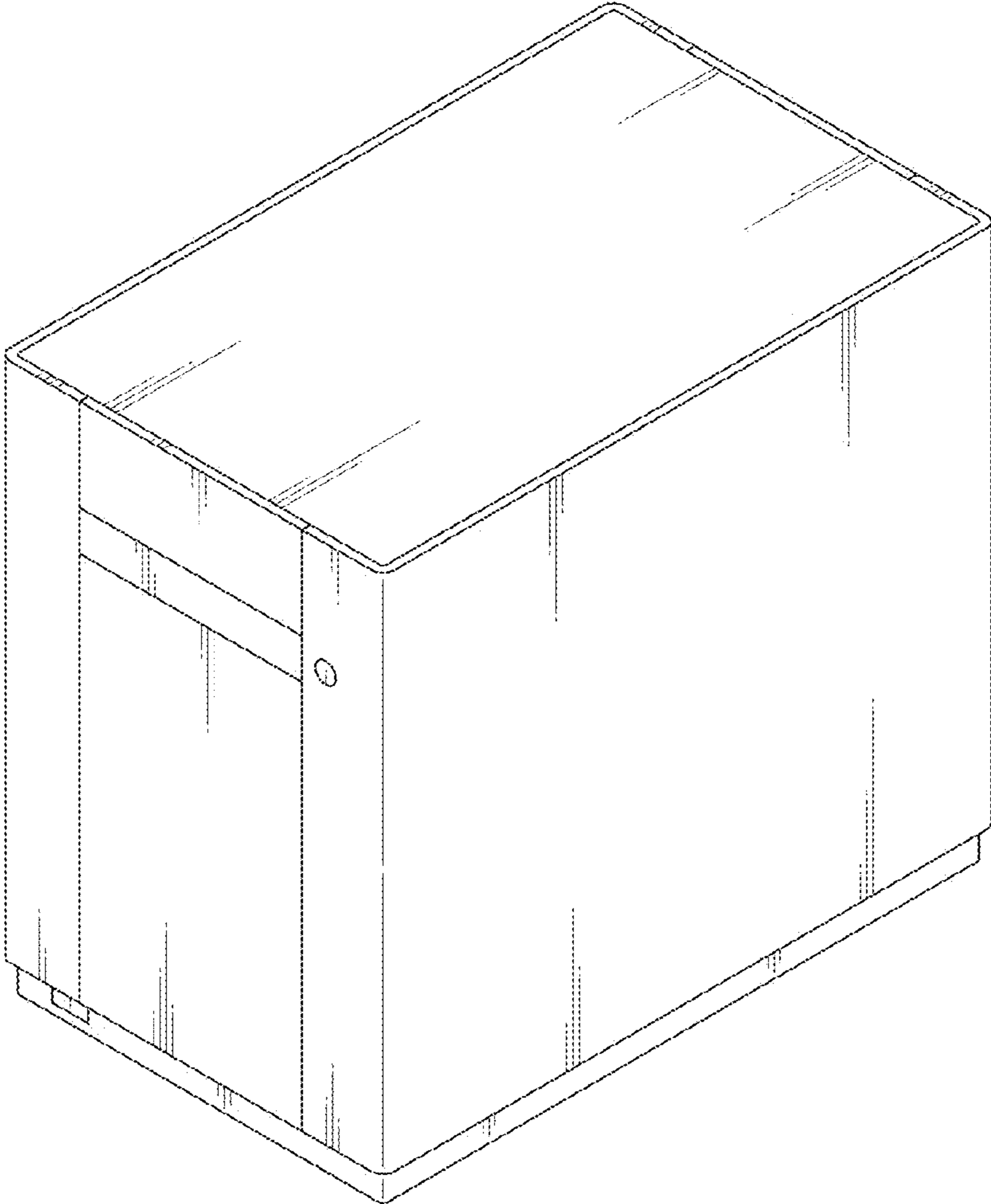


Fig. 2

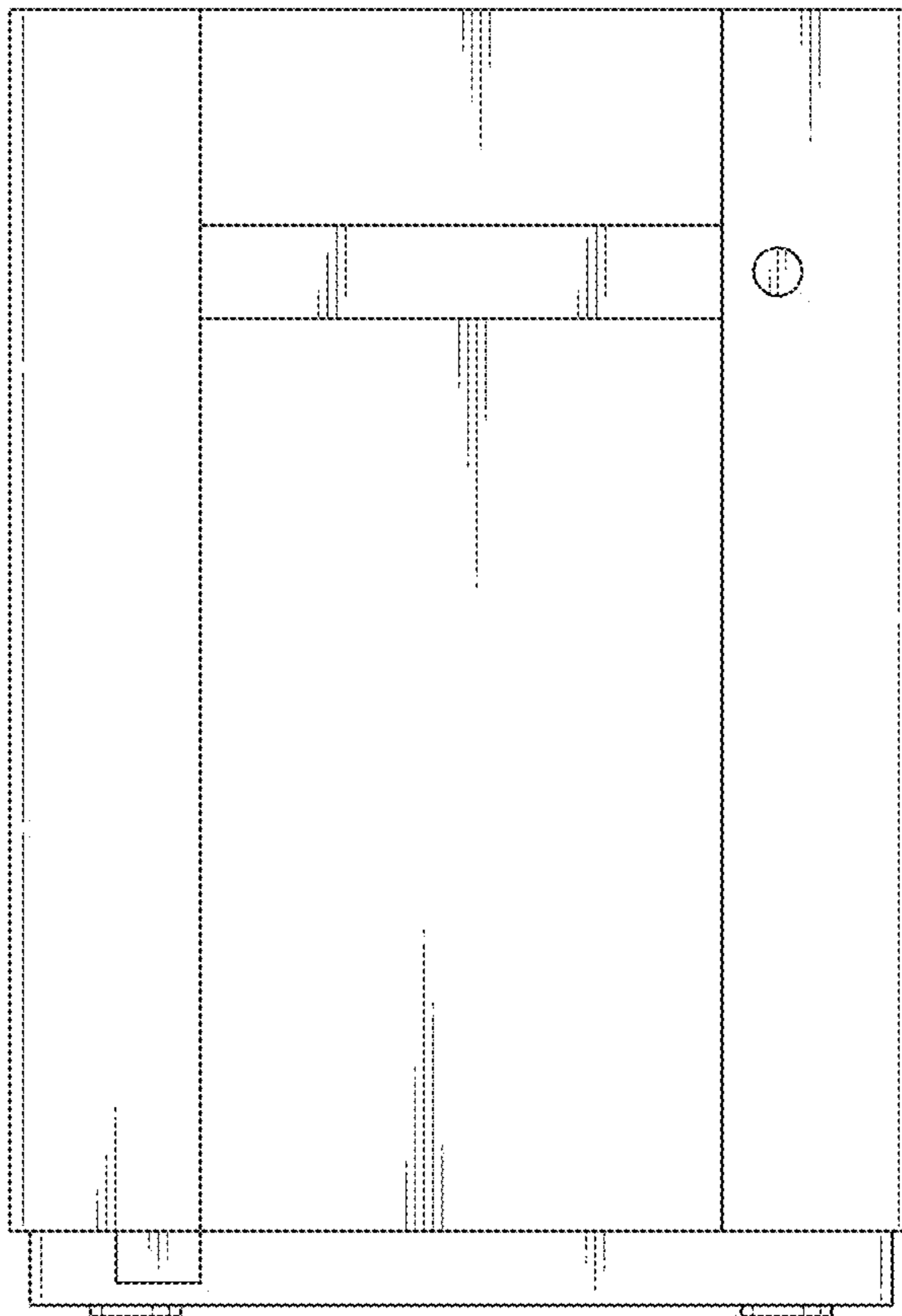


Fig. 3

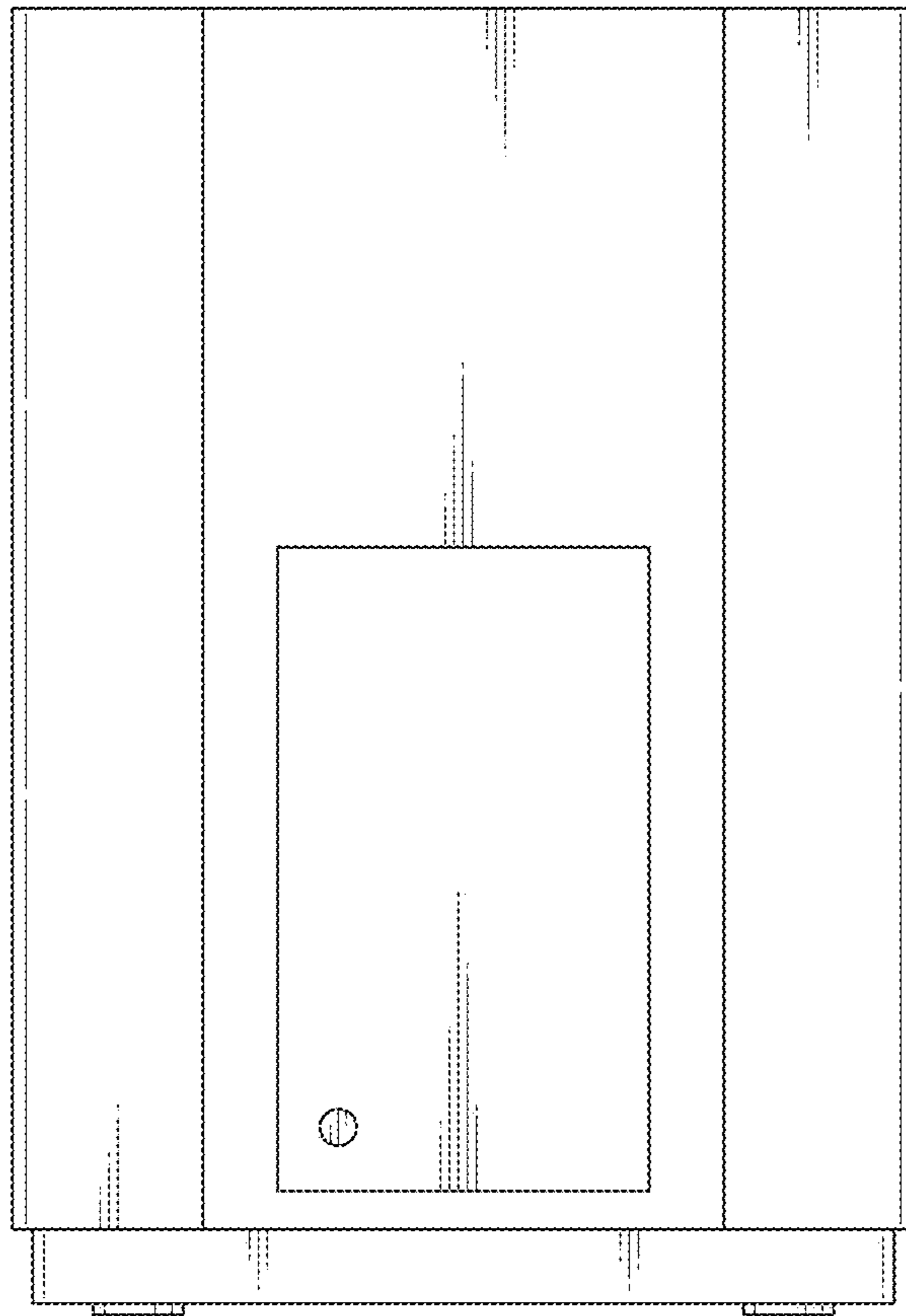


Fig. 4

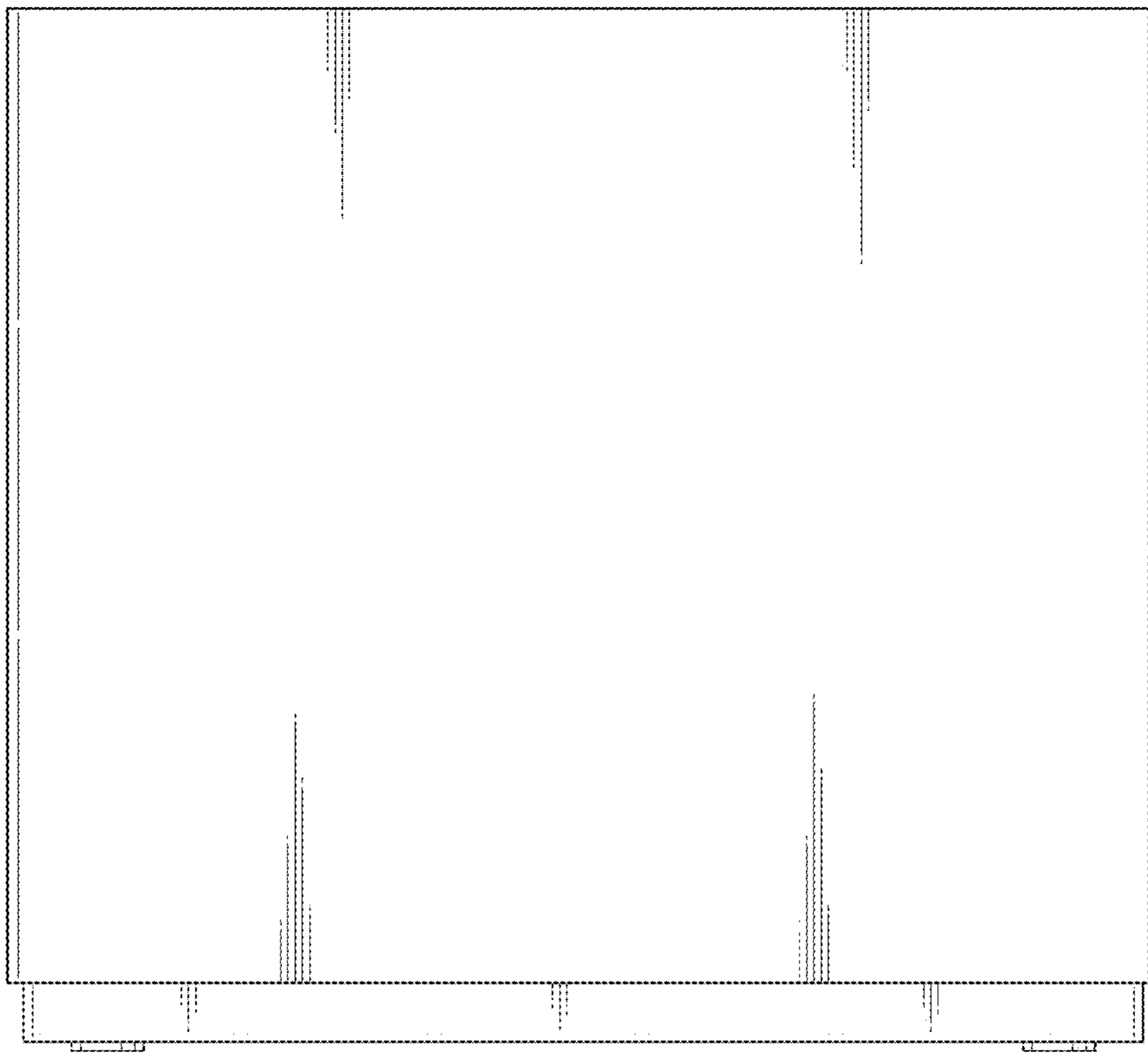


Fig. 5

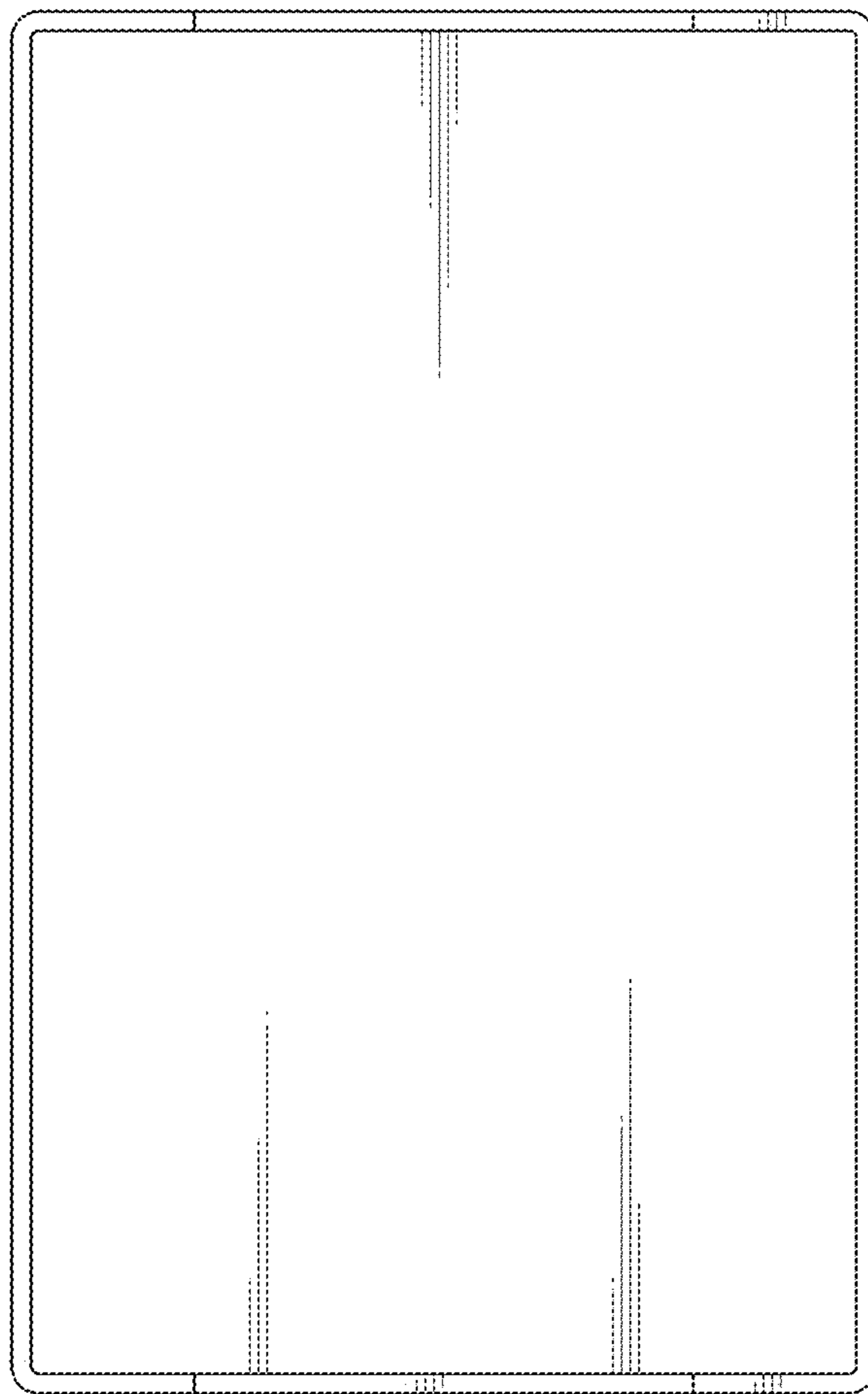


Fig. 6

