

US00D695285S

(12) **United States Design Patent**
Smith et al.

(10) **Patent No.:** **US D695,285 S**

(45) **Date of Patent:** **** Dec. 10, 2013**

(54) **INTERACTIVE TERMINAL**

(71) Applicant: **Cubic Corporation**, San Diego, CA
(US)

(72) Inventors: **Gavin Smith**, Crawley (GB); **Jason Kenward**, Surrey (GB); **Dave Roat**, Horsham (GB); **Adrain Caroren**, Henfield (GB); **Matthew Tidnam**, Surrey (GB); **Kok Chian Leong**, London (GB)

(73) Assignee: **Cubic Corporation**, San Diego, CA
(US)

(**) Term: **14 Years**

(21) Appl. No.: **29/452,734**

(22) Filed: **Apr. 21, 2013**

(51) **LOC (9) Cl.** **14-02**

(52) **U.S. Cl.**
USPC **D14/307**

(58) **Field of Classification Search**
USPC D14/315–327, 384, 432, 439–446, 341,
D14/345, 353–355, 125, 130, 132, 138,
D14/239; D16/202, 208; D9/424–432;
D6/491; D8/403; 235/145 A, 145 R;
341/22, 23; 349/12; 361/680–686;
D20/10, 41, 43

See application file for complete search history.

(56) **References Cited**

U.S. PATENT DOCUMENTS

D366,975 S * 2/1996 Kaga D6/470
D425,875 S * 5/2000 Wilson D14/307
D505,948 S * 6/2005 Vrachan et al. D14/307

(Continued)

Primary Examiner — Austin Murphy

(74) *Attorney, Agent, or Firm* — Kilpatrick Townsend & Stockton LLP

(57) **CLAIM**

The ornamental designs for the interactive terminal, as shown and described.

DESCRIPTION

FIG. 1 is a perspective view of a first embodiment of an interactive terminal;

FIG. 2 is a front elevation view of FIG. 1;

FIG. 3 is a back elevation view of FIG. 1;

FIG. 4 is a left side elevation view of FIG. 1;

FIG. 5 is a right side elevation view of FIG. 1;

FIG. 6 is a top plan view of FIG. 1;

FIG. 7 is a bottom plan view of FIG. 1;

FIG. 8 is a perspective view of a second embodiment of the interactive terminal;

FIG. 9 is a front elevation view of FIG. 8;

FIG. 10 is a back elevation view of FIG. 8;

FIG. 11 is a left side elevation view of FIG. 8;

FIG. 12 is a right side elevation view of FIG. 8;

FIG. 13 is a top plan view of FIG. 8;

FIG. 14 is a bottom plan view of FIG. 8;

FIG. 15 is a perspective view of a third embodiment of the interactive terminal;

FIG. 16 is a front elevation view of FIG. 15;

FIG. 17 is a back elevation view of FIG. 15;

FIG. 18 is a left side elevation view of FIG. 15;

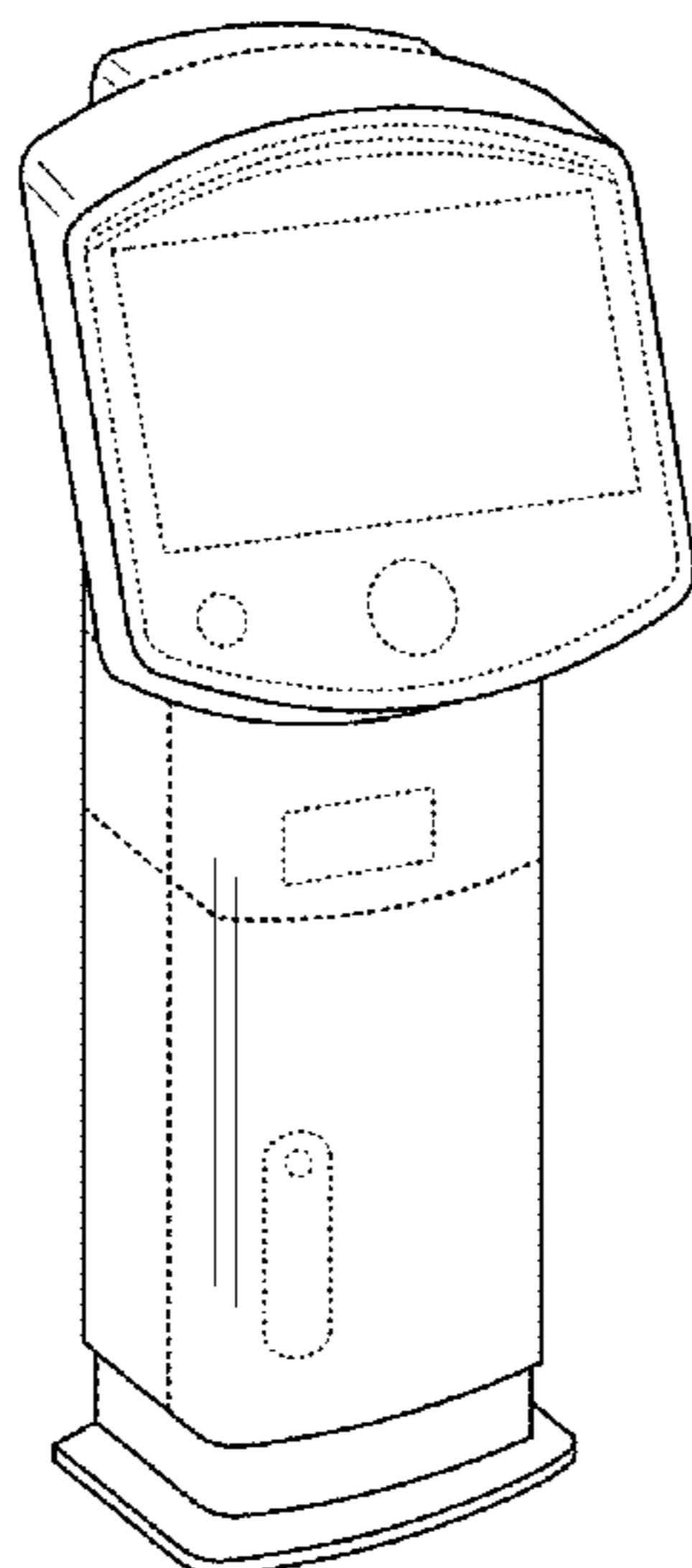
FIG. 19 is a right side elevation view of FIG. 15;

FIG. 20 is a top plan view of FIG. 15; and,

FIG. 21 is a bottom plan view of FIG. 15.

Any broken lines herein, or those added later by amendment, represent unclaimed subject matter and form no part of the claimed design. Further, in the above figures, the interactive terminal is illustrated as a stand-alone system.

1 Claim, 21 Drawing Sheets



(56)

References Cited

U.S. PATENT DOCUMENTS

D506,464 S * 6/2005 Vrachan et al. D14/307
D532,417 S * 11/2006 Becker et al. D14/307
D605,189 S * 12/2009 Kuroda D14/307
D605,190 S * 12/2009 Kuroda et al. D14/307

D625,305 S * 10/2010 Bleck et al. D14/307
D628,742 S * 12/2010 Hsu D28/9
D661,292 S * 6/2012 Kuroda et al. D14/307
D661,293 S * 6/2012 Kuroda et al. D14/307
D669,464 S * 10/2012 Birgeoglu D14/307
D675,608 S * 2/2013 Ono D14/307

* cited by examiner

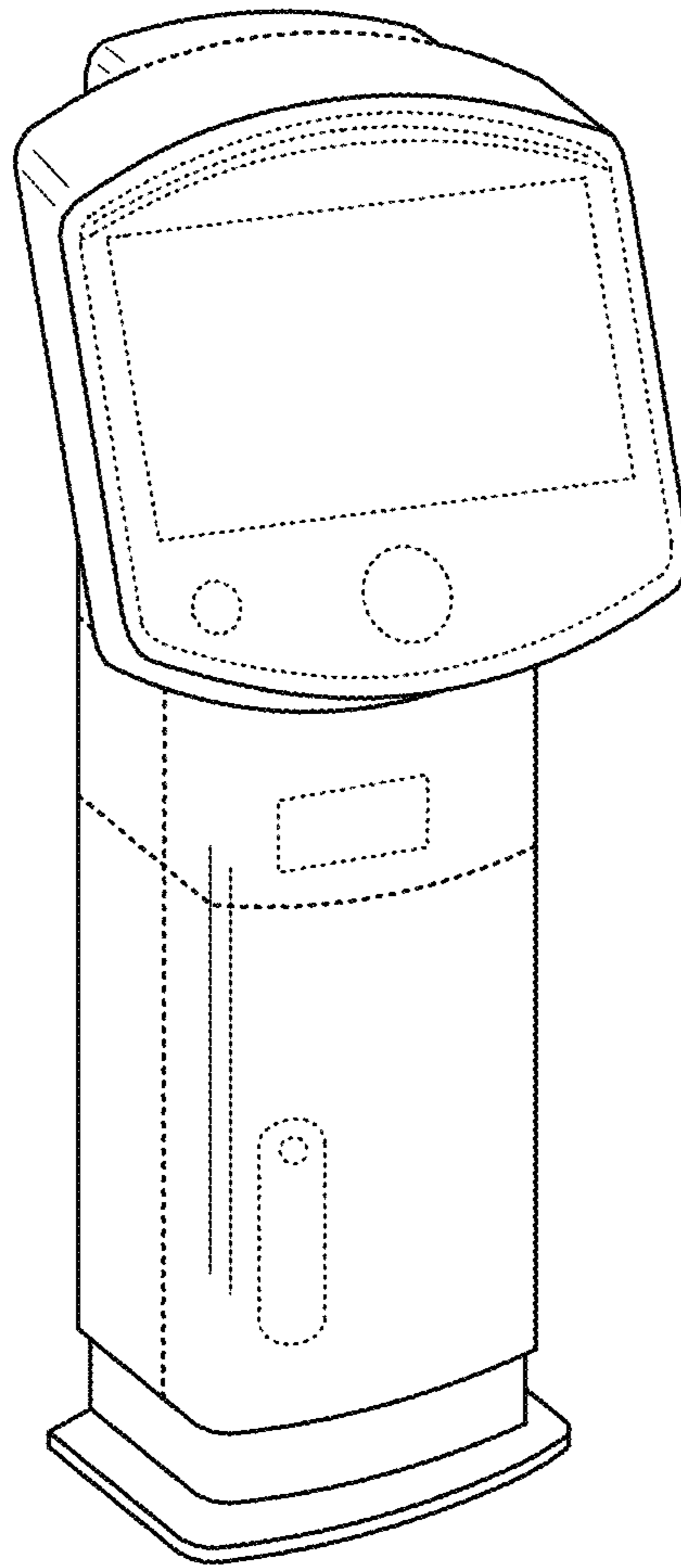


FIG. 1

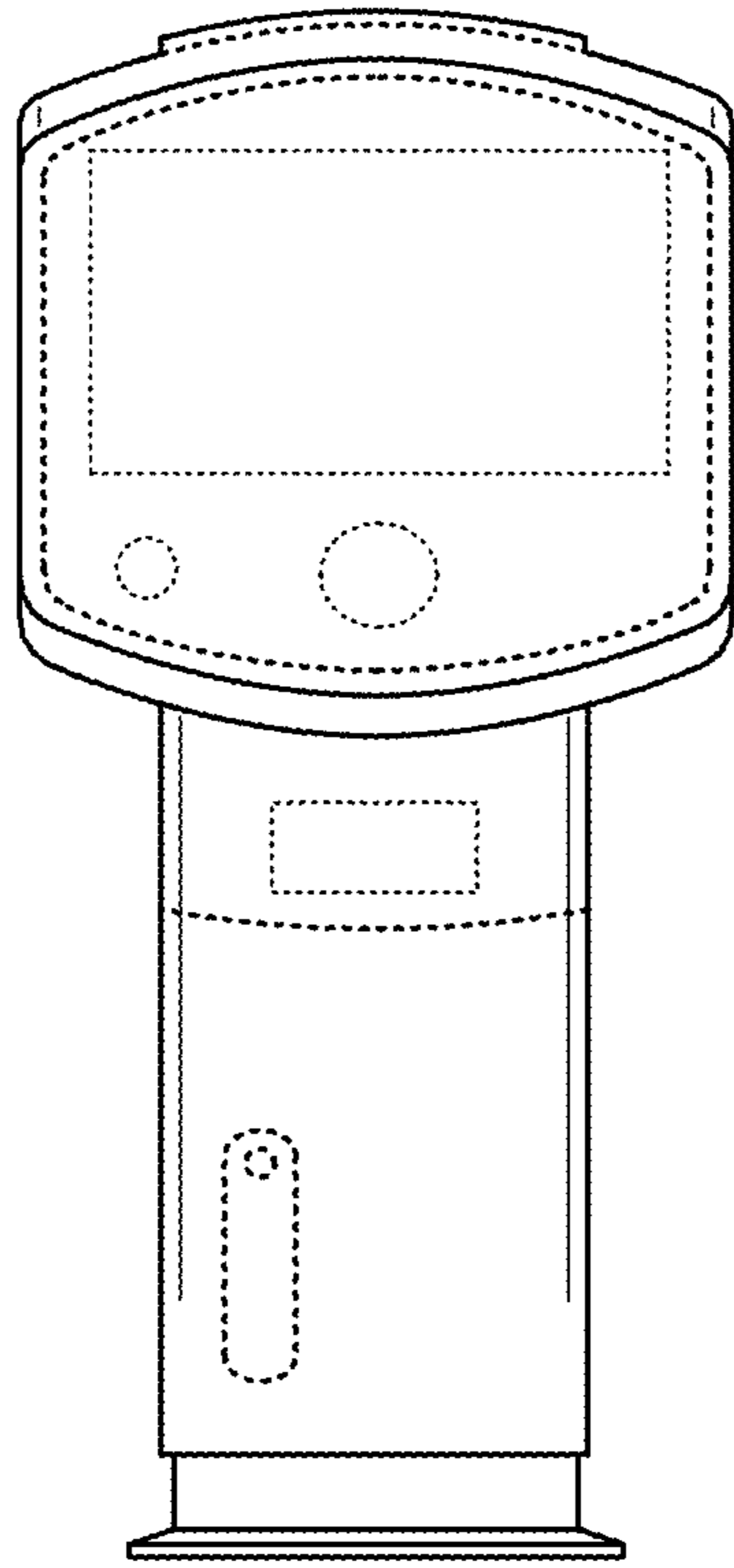


FIG. 2

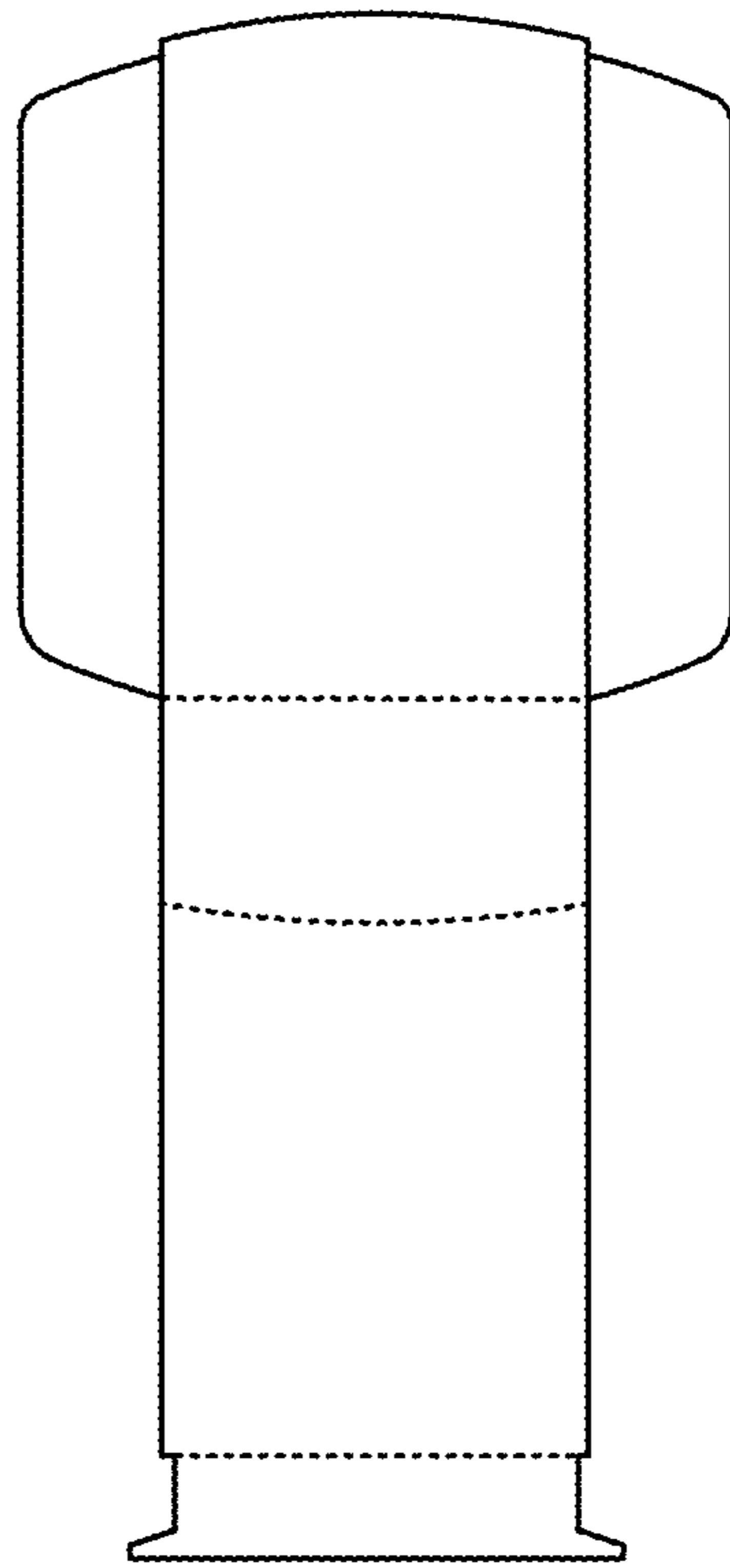


FIG. 3

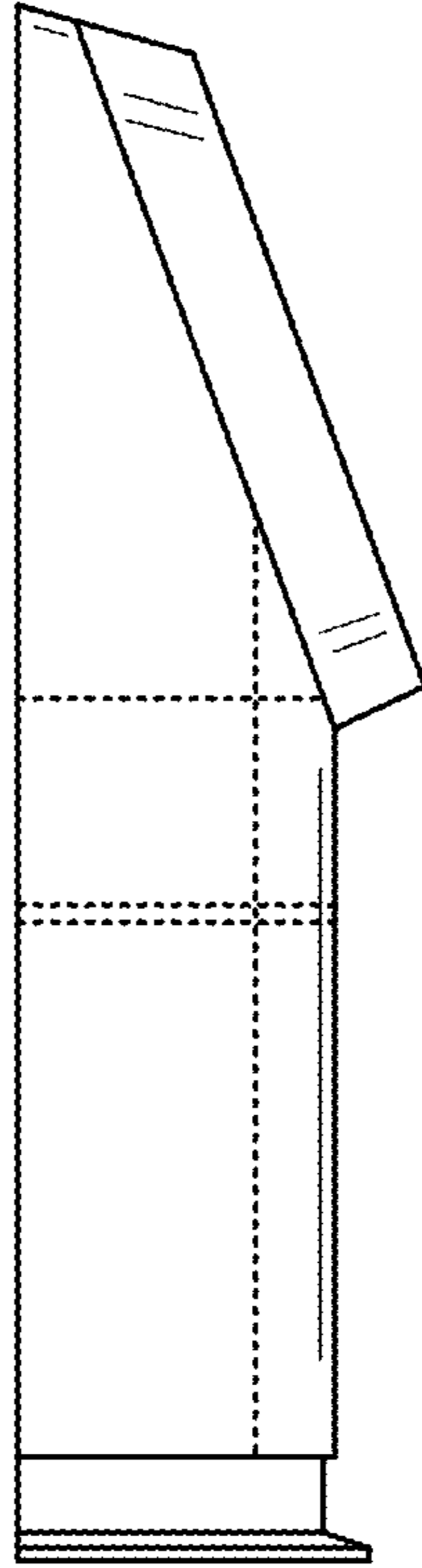


FIG. 4

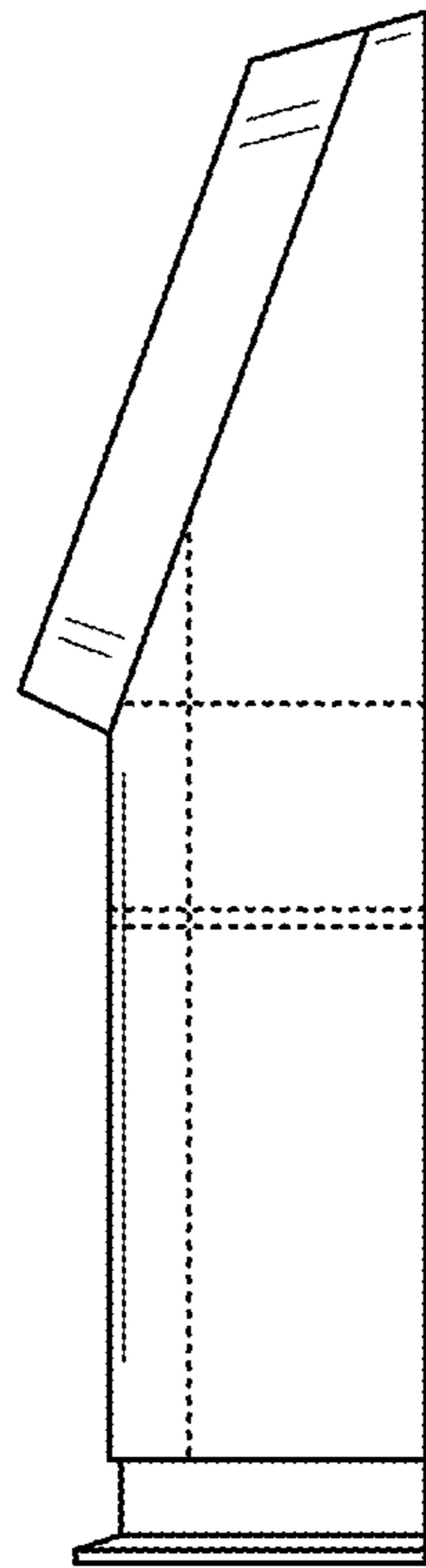


FIG. 5

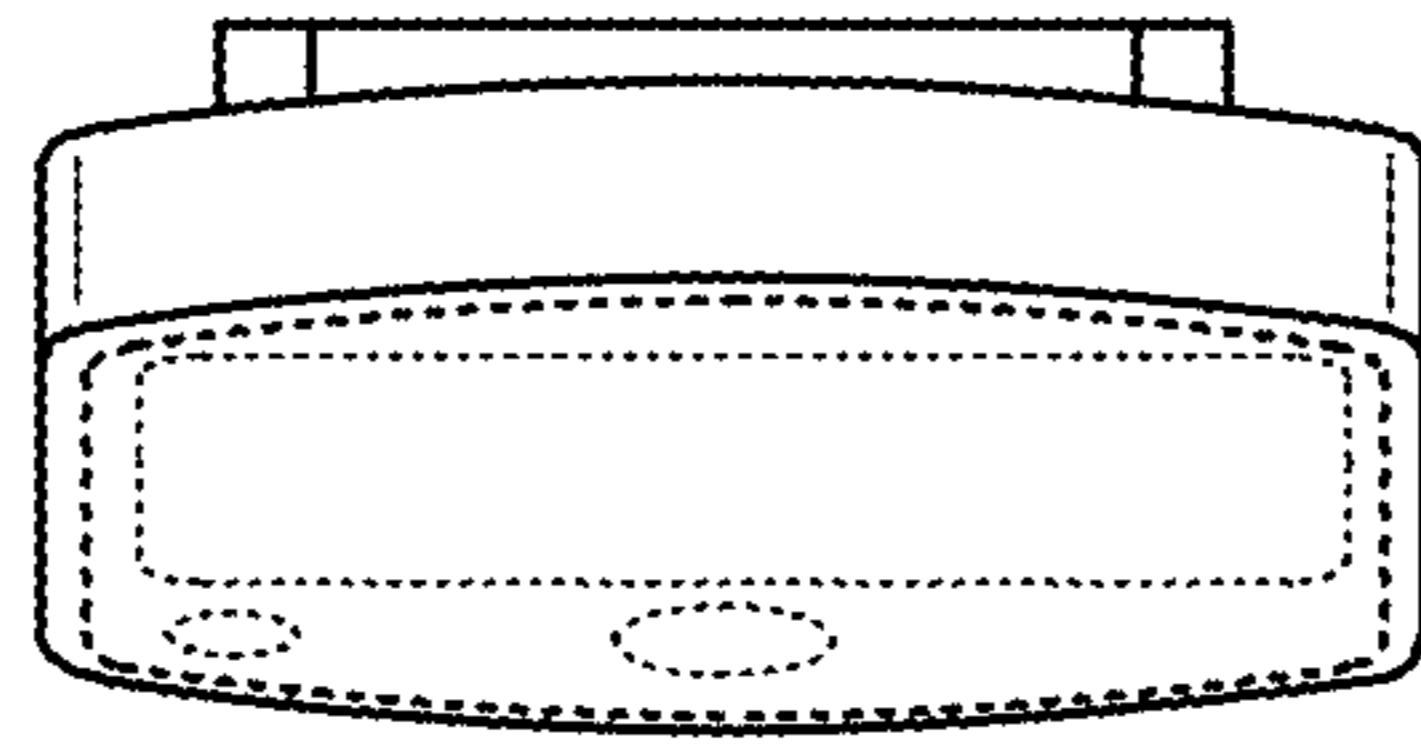


FIG. 6

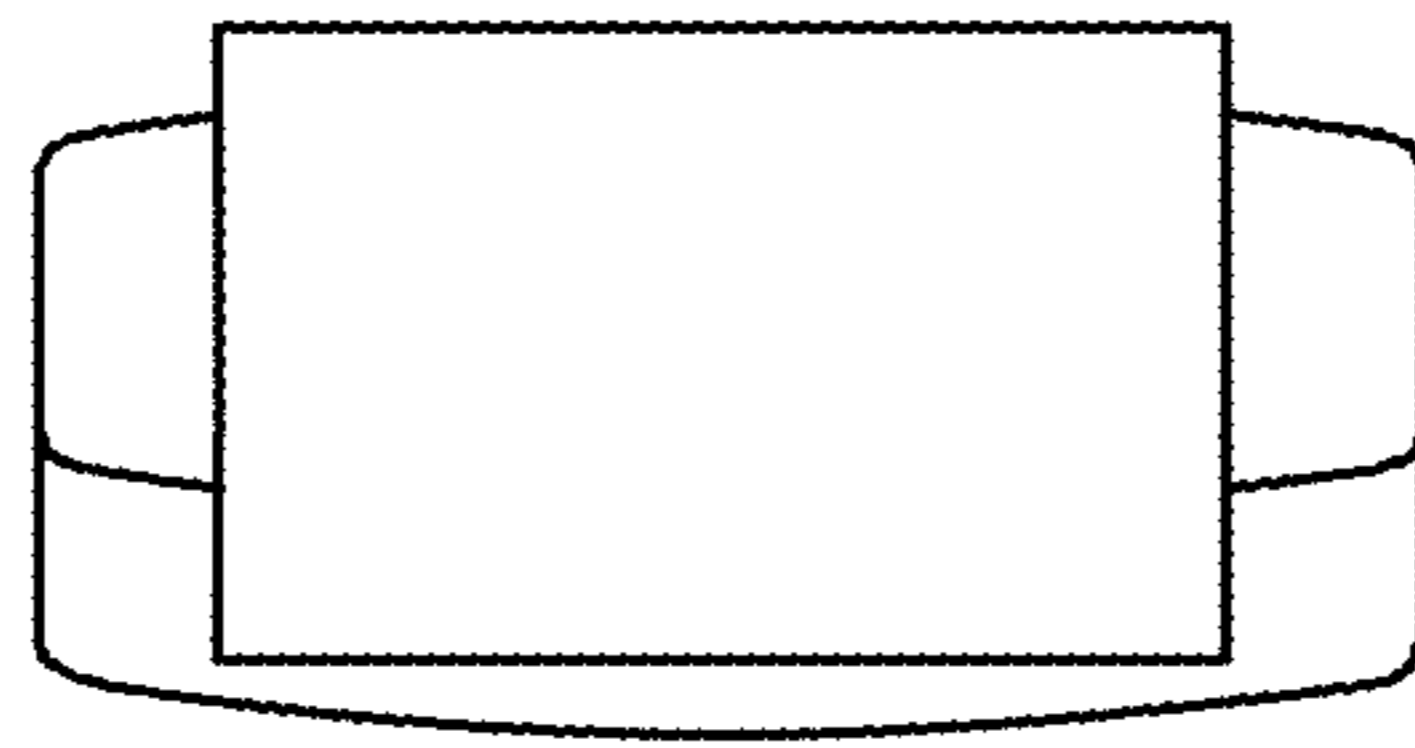


FIG. 7

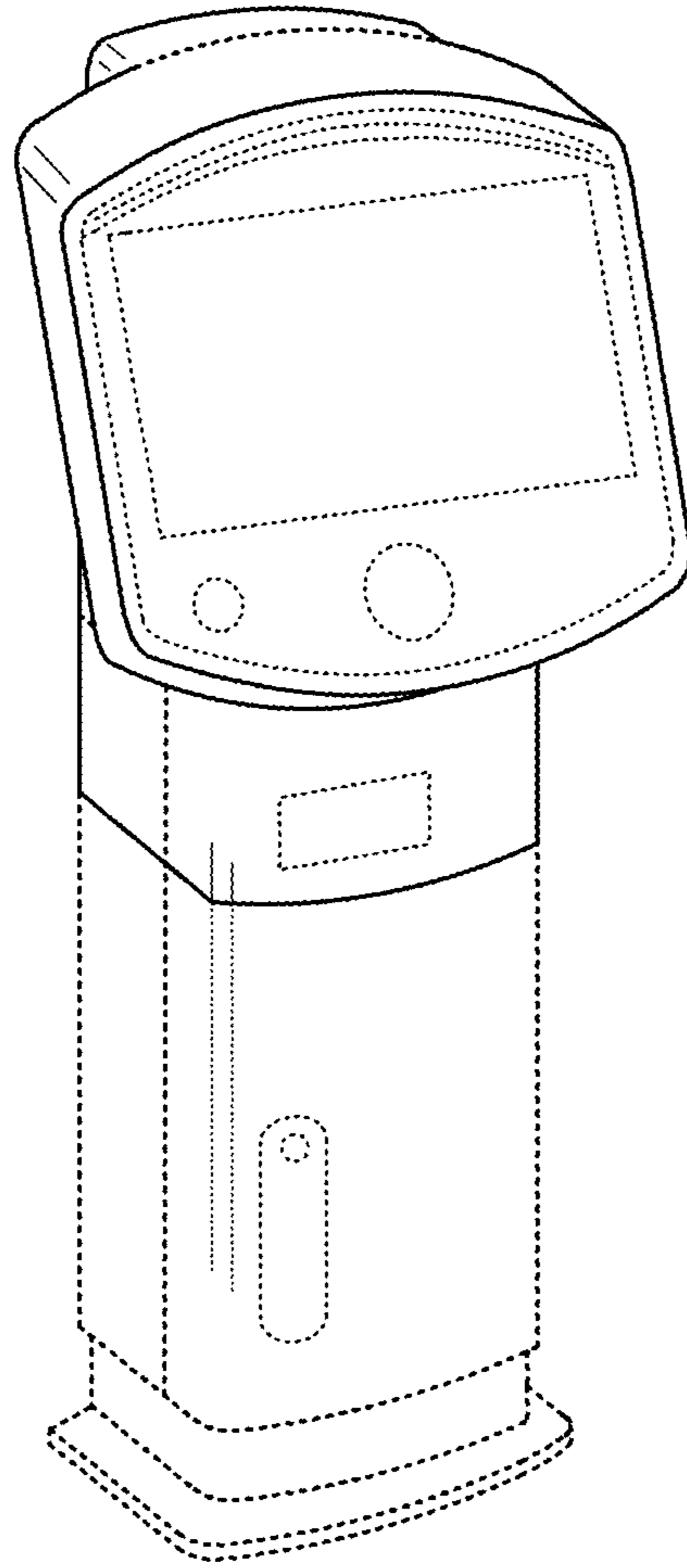


FIG. 8

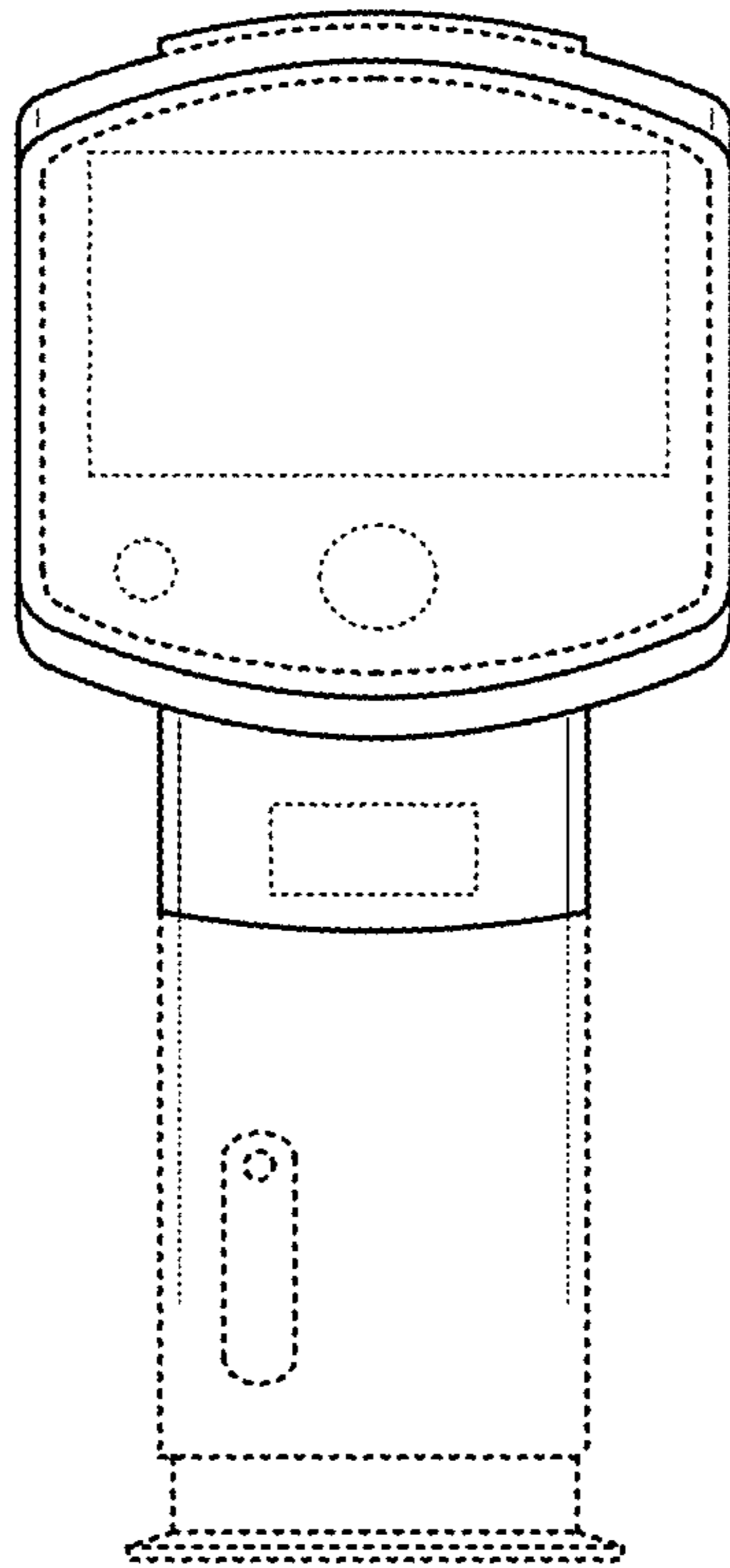


FIG. 9

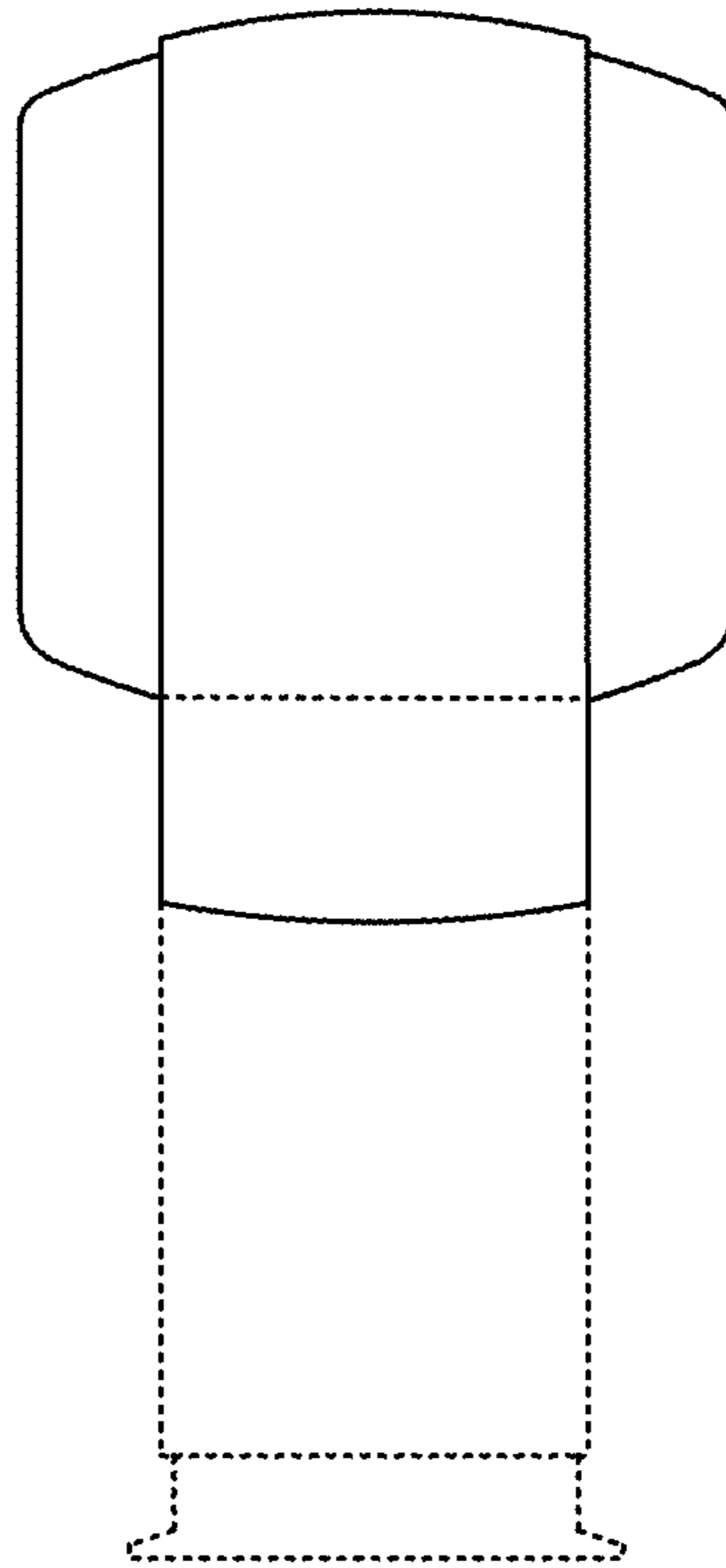


FIG. 10

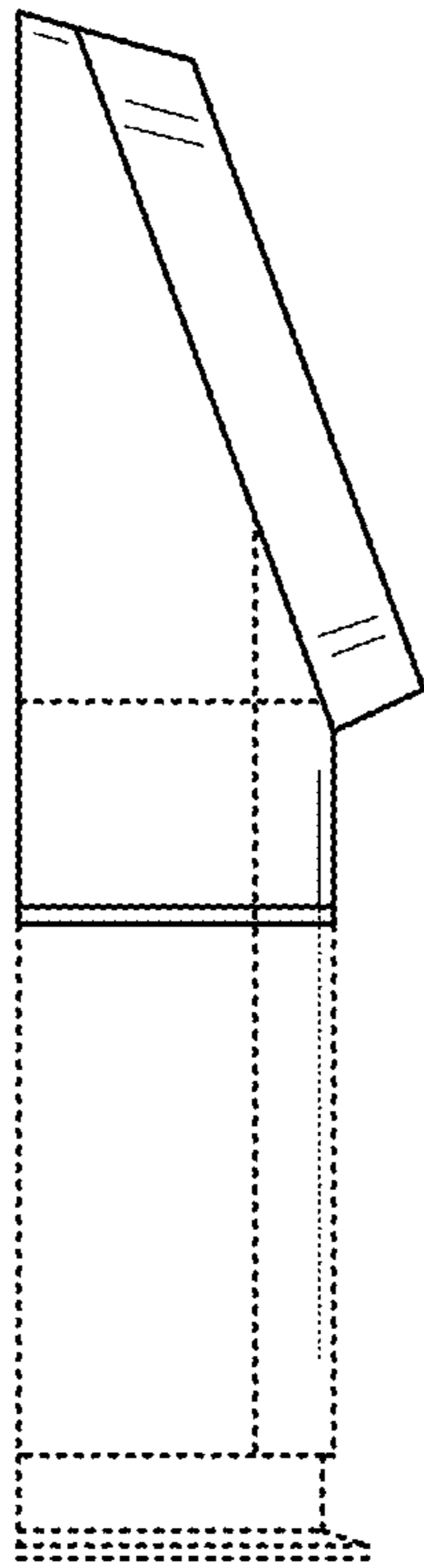


FIG. 11

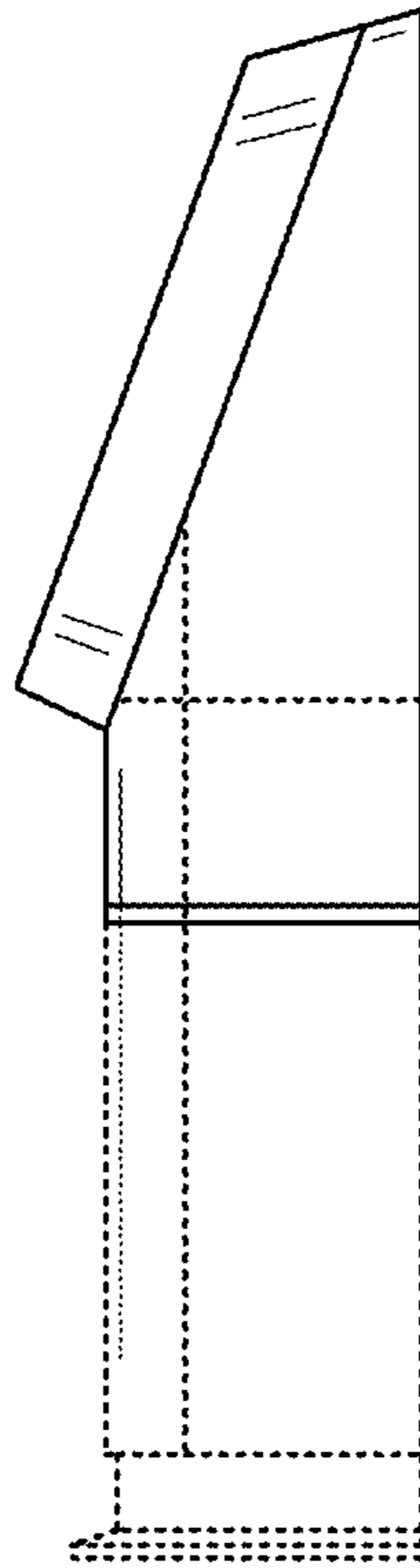


FIG. 12

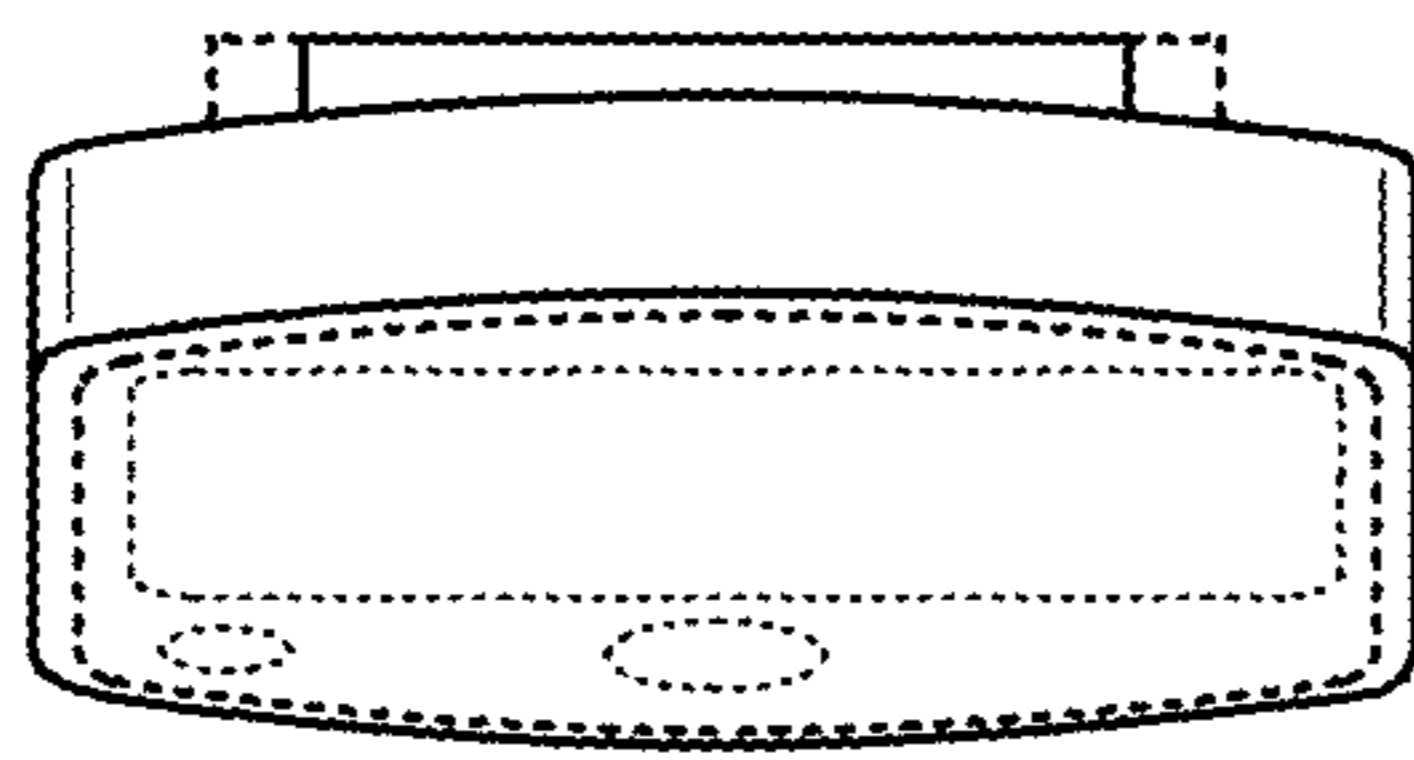


FIG. 13

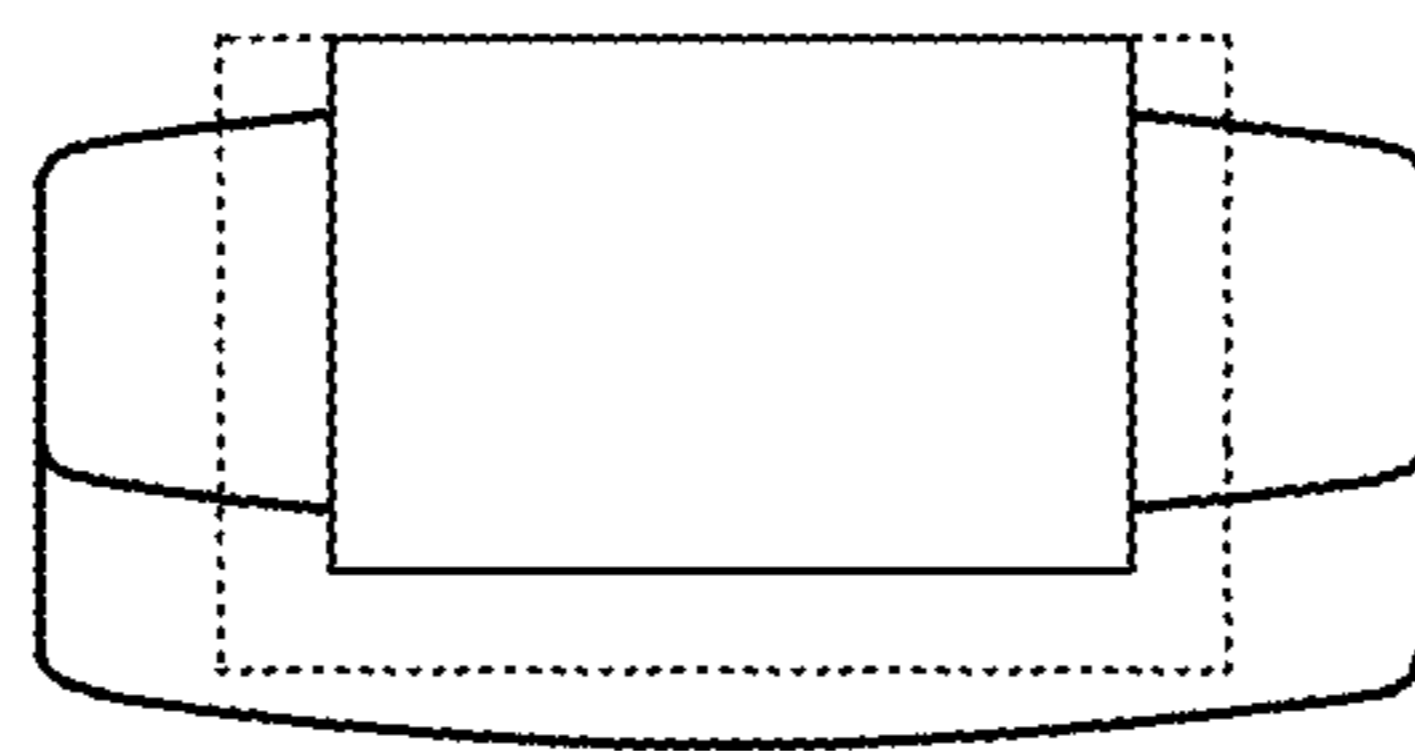


FIG. 14

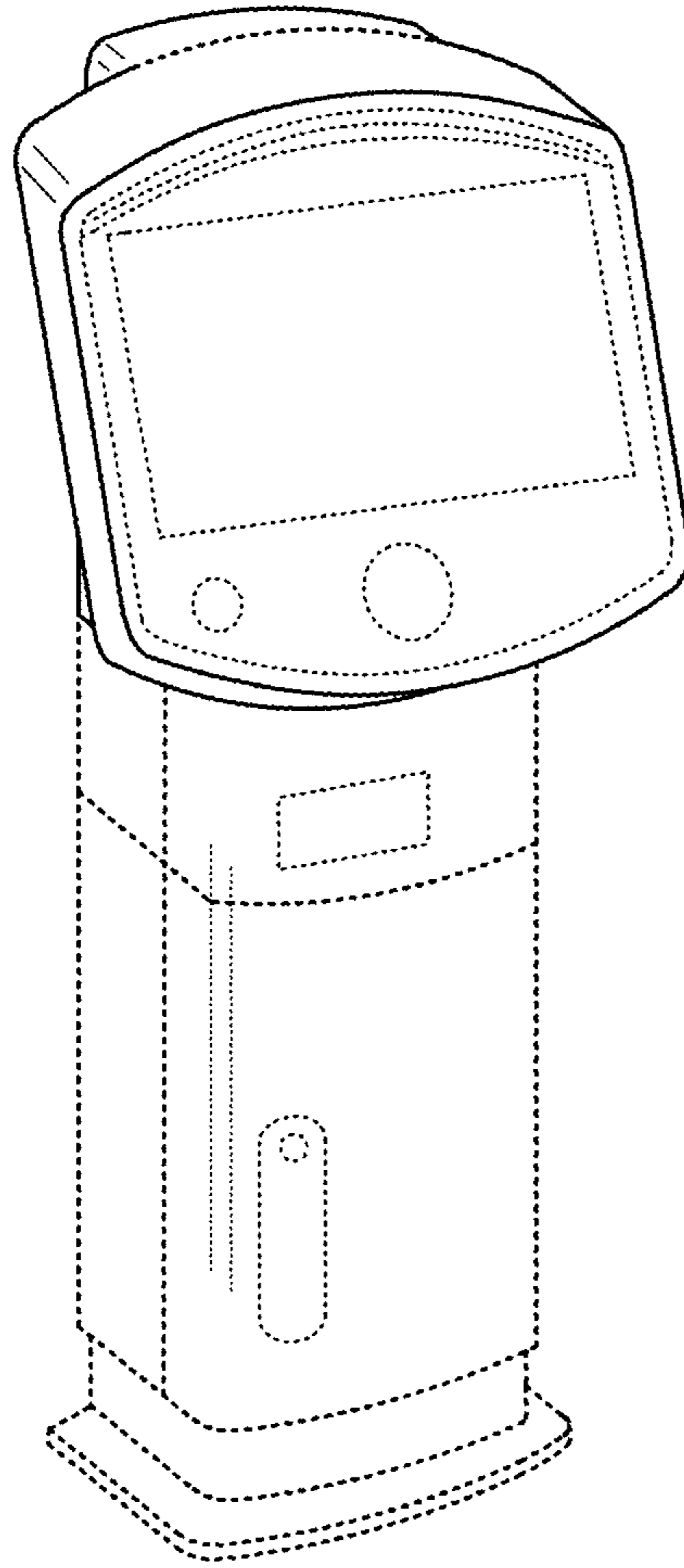


FIG. 15

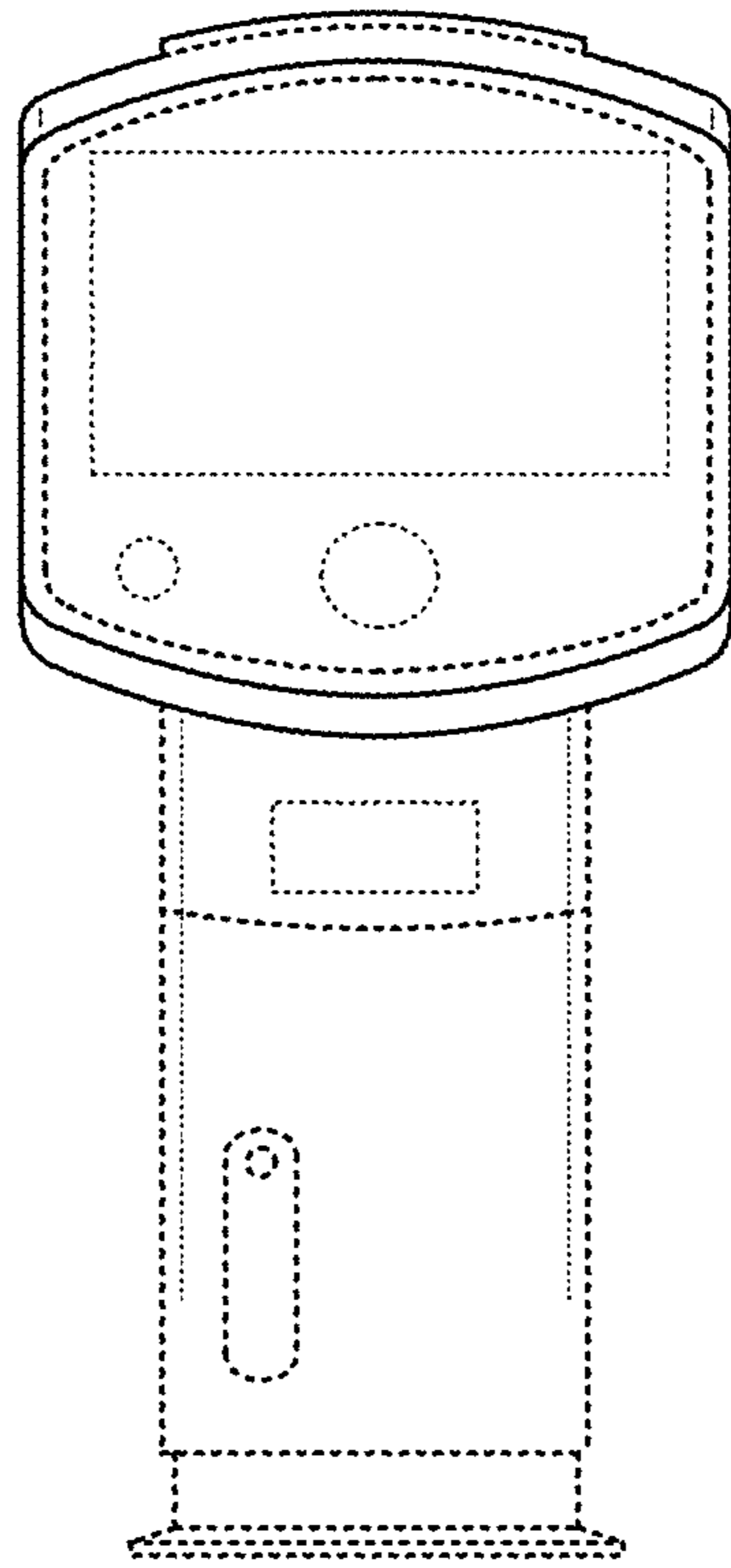


FIG. 16

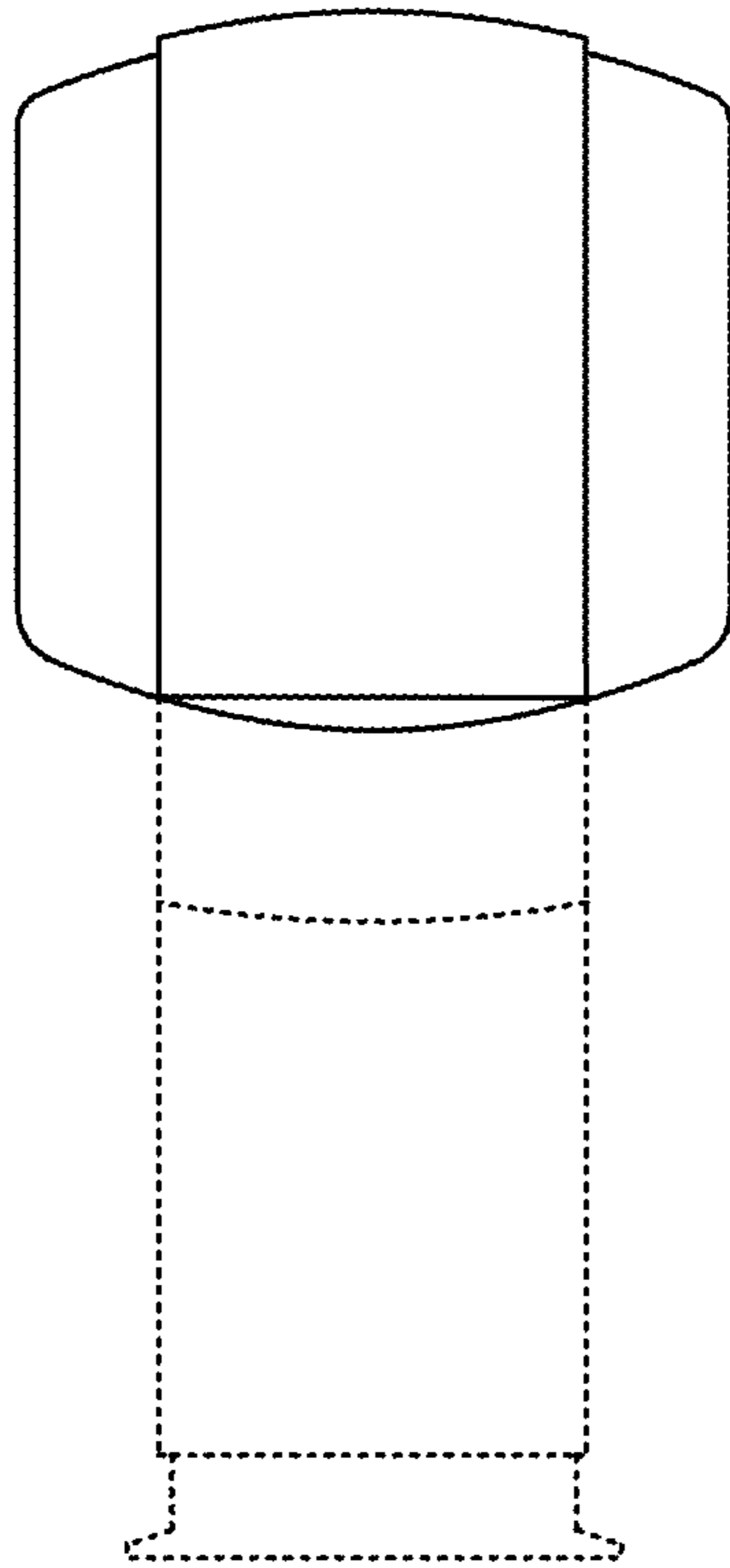


FIG. 17

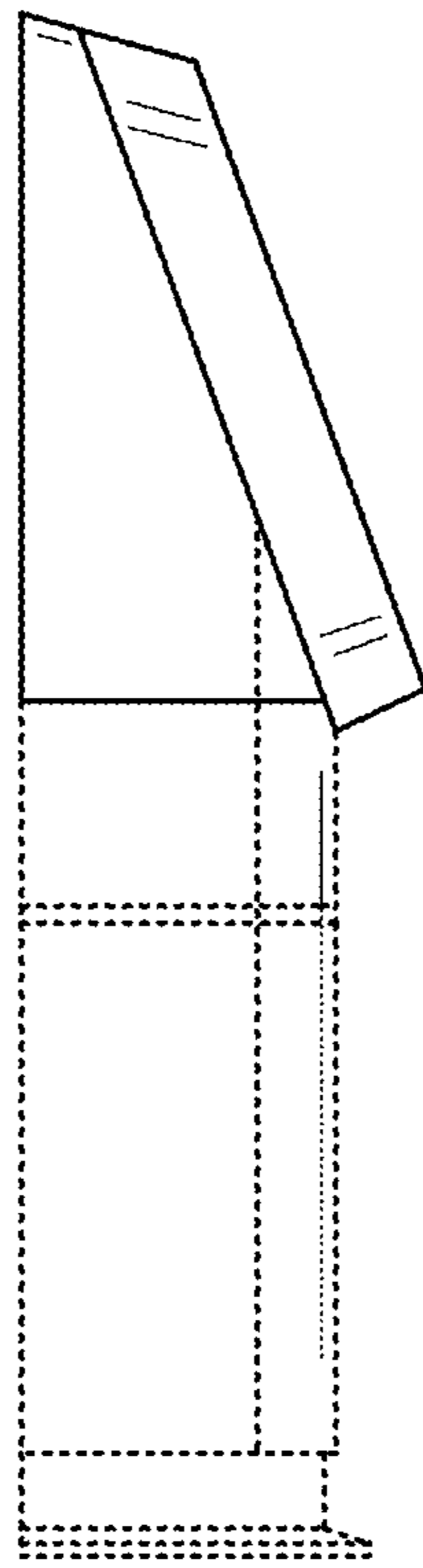


FIG. 18

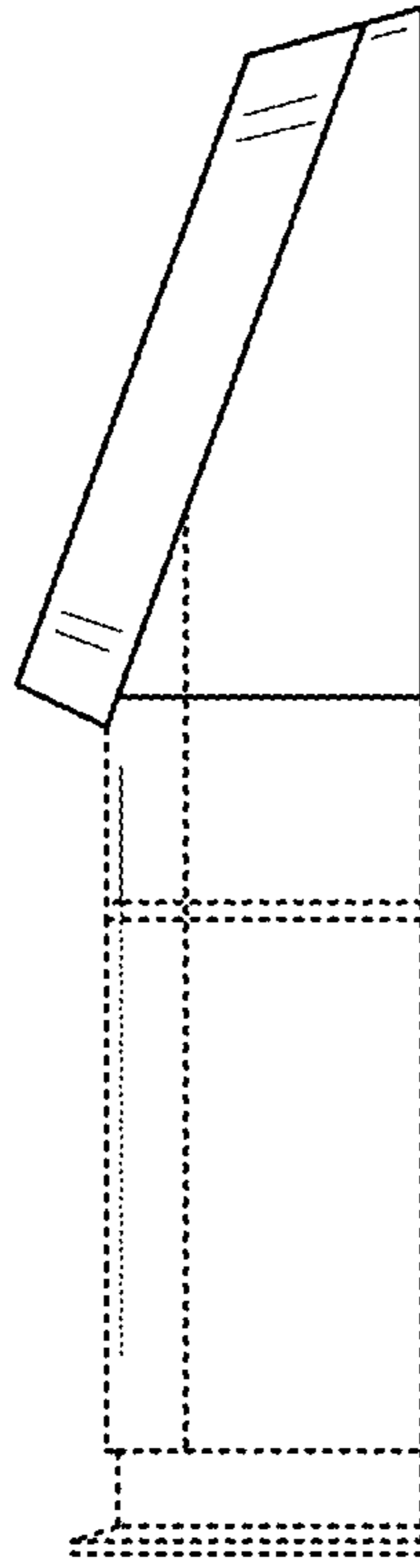


FIG. 19

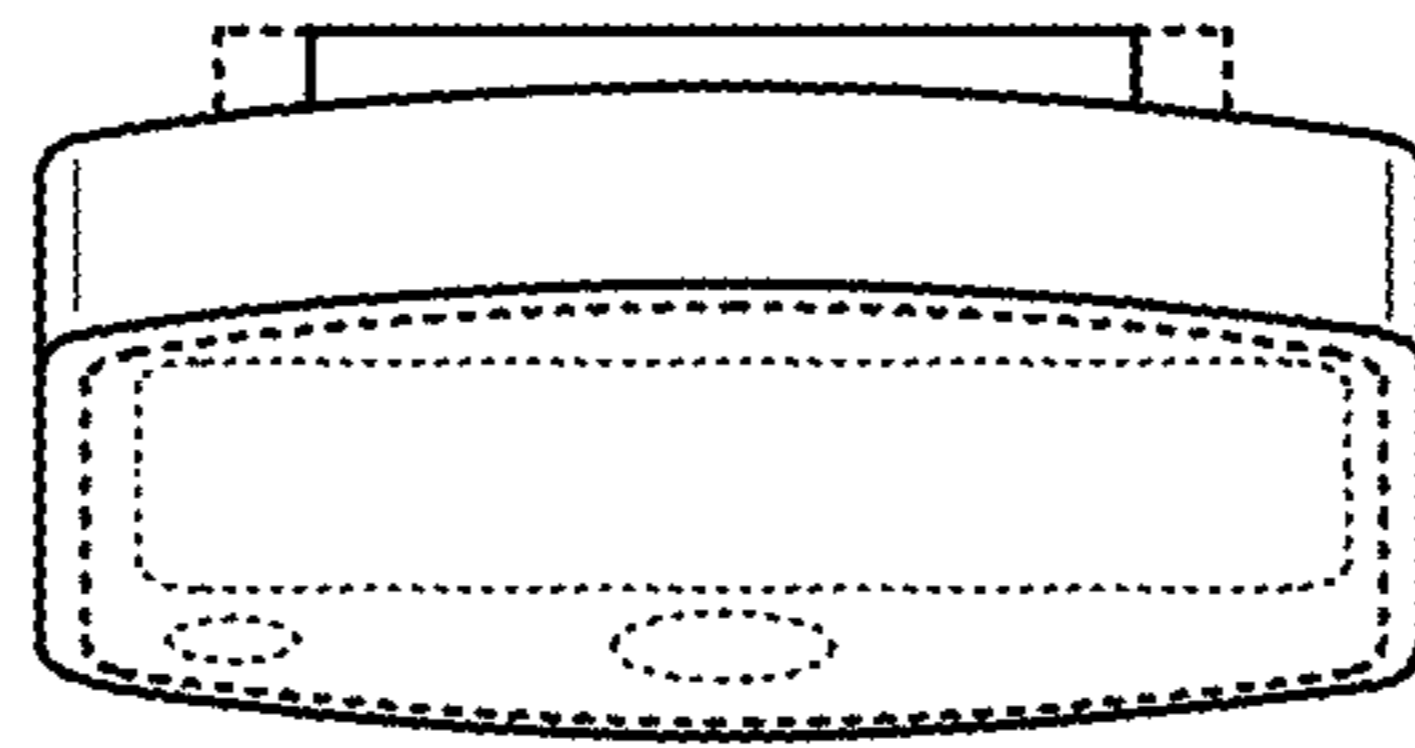


FIG. 20

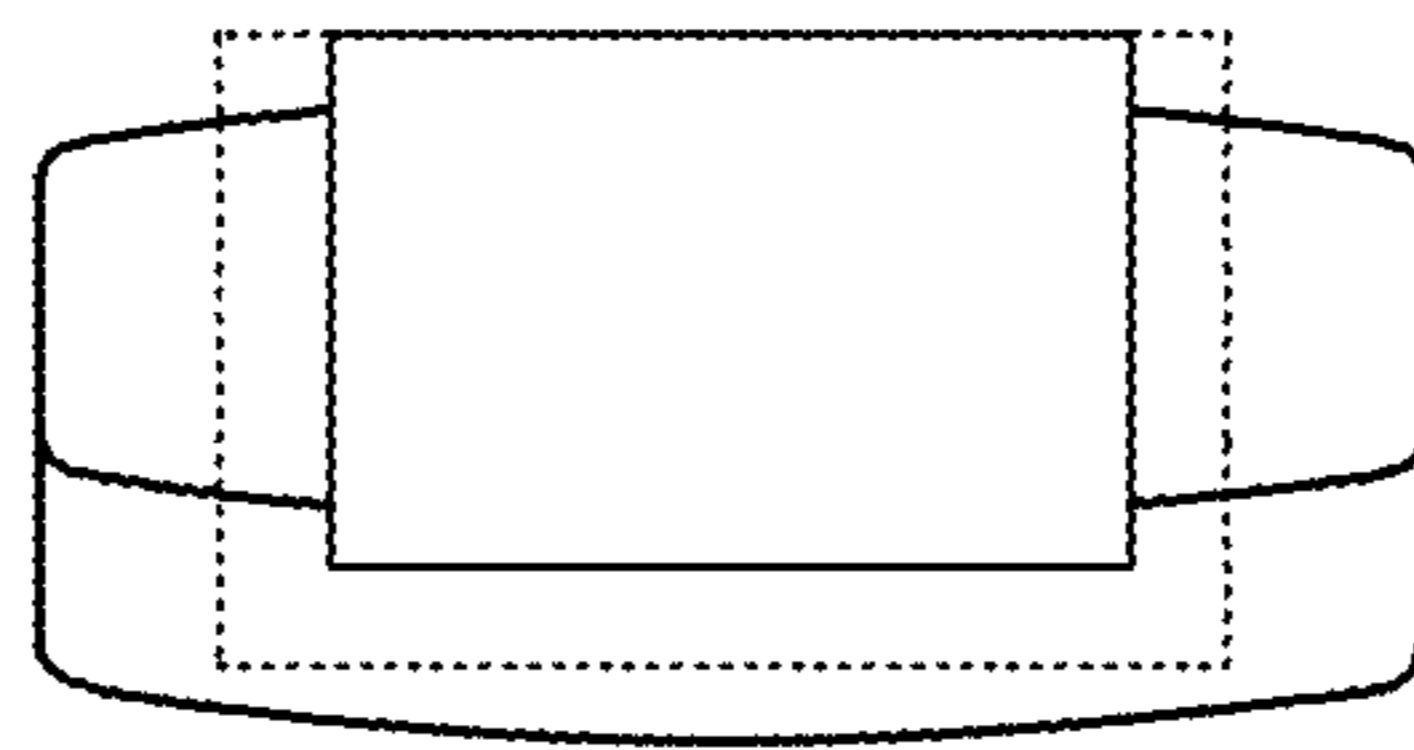


FIG. 21

UNITED STATES PATENT AND TRADEMARK OFFICE
CERTIFICATE OF CORRECTION

PATENT NO. : D695,285 S
APPLICATION NO. : 29/452734
DATED : December 10, 2013
INVENTOR(S) : Gavin Smith et al.

Page 1 of 1

It is certified that error appears in the above-identified patent and that said Letters Patent is hereby corrected as shown below:

On the title page, left hand column following Item “[72] Inventors”, change “Adrain Caroren” to
--Adrian Caroen--

Signed and Sealed this
First Day of April, 2014



Michelle K. Lee
Deputy Director of the United States Patent and Trademark Office