



US00D695280S

(12) **United States Design Patent**
Yang et al.

(10) **Patent No.:** **US D695,280 S**
(45) **Date of Patent:** **** Dec. 10, 2013**

(54) **ANTENNA**

(71) Applicant: **Airgain, Inc.**, Carlsbad, CA (US)

(72) Inventors: **Xiao Ping Yang**, Carlsbad, CA (US);
William Robert Bidermann, San Diego, CA (US)

(73) Assignee: **Airgain, Inc.**, Carlsbad, CA (US)

(**) Term: **14 Years**

(21) Appl. No.: **29/458,353**

(22) Filed: **Jun. 18, 2013**

(51) **LOC (9) Cl.** **14-03**

(52) **U.S. Cl.**
USPC **D14/230**

(58) **Field of Classification Search**
USPC D14/138, 230–238, 299, 358; D12/42, D12/43; 343/700 MS, 700 R–705, 711–713, 343/735, 736, 741, 748, 767, 795, 819, 840, 343/846, 866, 871–908; 455/90.2, 90.3, 91, 455/128, 269, 344, 347, 562.1; 333/193, 333/195

See application file for complete search history.

7,405,704 B1 7/2008 Lin et al.
7,477,195 B2 1/2009 Vance
7,486,249 B2 * 2/2009 Fujita et al. 343/795
D587,693 S * 3/2009 Ohshima D14/230
D592,195 S 5/2009 Wu et al.
D599,334 S 9/2009 Chiang
D603,851 S * 11/2009 Montgomery D14/230
D604,275 S * 11/2009 Norris et al. D14/230
D606,053 S 12/2009 Wu et al.
D607,442 S 1/2010 Su et al.
D608,769 S 1/2010 Bufe
D612,368 S 3/2010 Yang et al.
7,705,783 B2 4/2010 Rao et al.
D621,819 S 8/2010 Tsai et al.
7,843,390 B2 11/2010 Liu
D633,483 S 3/2011 Su et al.
D635,126 S * 3/2011 Tsai et al. D14/230
D635,127 S * 3/2011 Tsai et al. D14/230
D635,560 S 4/2011 Tsai et al.
D635,963 S 4/2011 Podduturi

(Continued)

Primary Examiner — John Windmuller

(74) *Attorney, Agent, or Firm* — Clause Eight IPS; Michael Catania

(57) **CLAIM**

The ornamental design for an antenna, as shown and described.

DESCRIPTION

FIG. 1 is a top plan view of an antenna with broken lines showing a cover.

FIG. 2 is a side plan view of the antenna of FIG. 1.

FIG. 3 is a top perspective view of the antenna of FIG. 1.

FIG. 4 is a bottom plan view of the antenna of FIG. 1.

FIG. 5 is a side view of the antenna of FIG. 1; and,

FIG. 6 is a bottom perspective view of the antenna of FIG. 1.

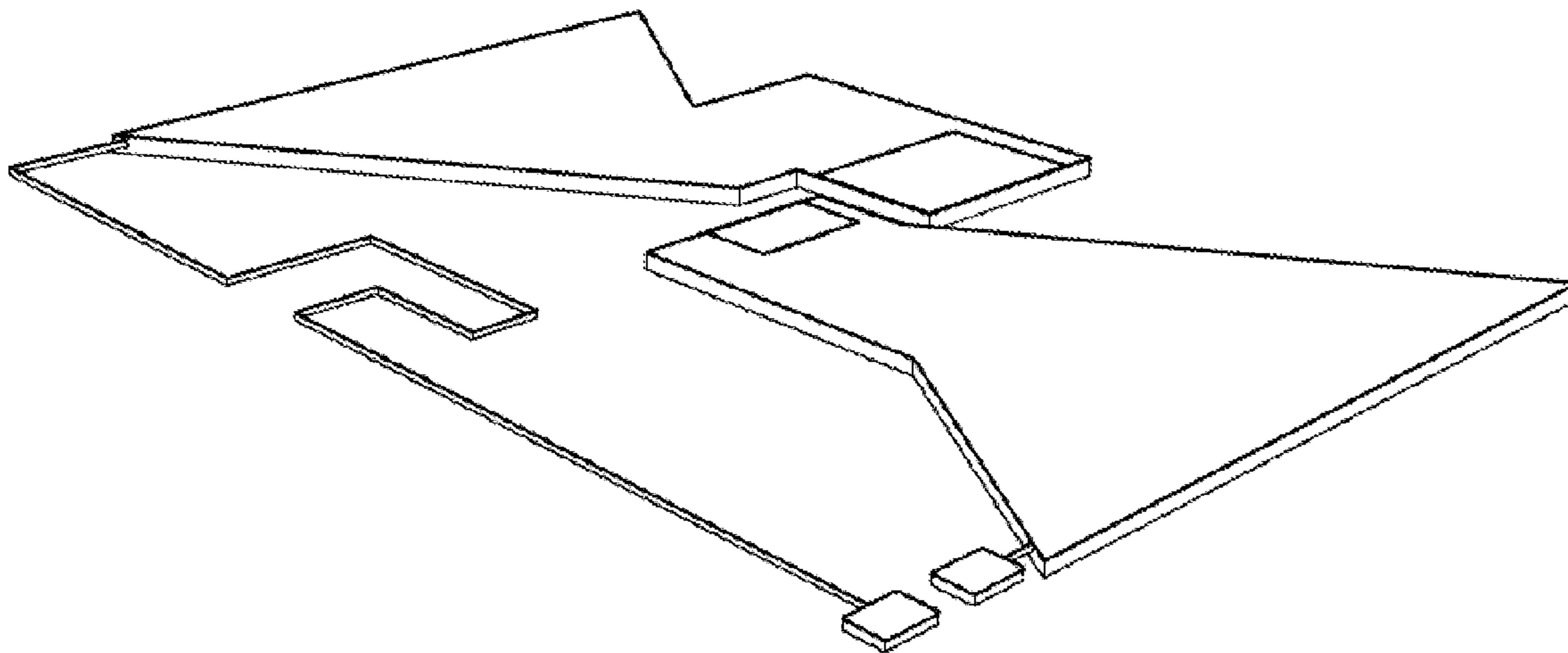
The broken line showing is for illustrative purposes only and forms no part of the claimed design.

1 Claim, 2 Drawing Sheets

(56) **References Cited**

U.S. PATENT DOCUMENTS

5,563,616 A * 10/1996 Dempsey et al. 343/753
7,050,013 B2 * 5/2006 Kim et al. 343/770
7,061,437 B2 6/2006 Lin et al.
7,123,207 B2 * 10/2006 Yazdandoost et al. 343/795
7,148,849 B2 12/2006 Lin
D546,821 S 7/2007 Oliver
D549,696 S 8/2007 Ohshima et al.
7,333,067 B2 2/2008 Hung et al.
7,388,553 B2 * 6/2008 Yuanzhu 343/770
D573,589 S 7/2008 Montgomery et al.



(56)

References Cited

U.S. PATENT DOCUMENTS

D635,964 S	4/2011	Podduturi	2003/0189522 A1*	10/2003	Zeilinger	343/702
D635,965 S	4/2011	Mi et al.	2004/0222936 A1	11/2004	Hung et al.	
D636,382 S	4/2011	Podduturi	2005/0040994 A1*	2/2005	Mazoki et al.	343/809
D649,962 S	12/2011	Tseng et al.	2005/0062655 A1*	3/2005	Suganthan et al.	343/702
D651,198 S	12/2011	Mi et al.	2005/0073462 A1	4/2005	Lin et al.	
D652,409 S *	1/2012	Hernandez et al.	2005/0190108 A1	9/2005	Lin et al.	
D654,059 S	2/2012	Mi et al.	2006/0208900 A1	9/2006	Tavassoli Hozouri	
D654,060 S	2/2012	Ko et al.	2007/0030203 A1	2/2007	Tsai et al.	
D656,131 S *	3/2012	Suleiman et al.	2008/0150829 A1	6/2008	Lin et al.	
D658,639 S *	5/2012	Huang et al.	2009/0002244 A1	1/2009	Woo	
D659,129 S	5/2012	Mi et al.	2009/0058739 A1	3/2009	Konishi	
D659,685 S *	5/2012	Huang et al.	2009/0115679 A1*	5/2009	Chou et al.	343/795
D659,688 S	5/2012	Huang et al.	2009/0135072 A1	5/2009	Ke et al.	
D662,916 S	7/2012	Huang et al.	2009/0256754 A1*	10/2009	Tsai et al.	343/700 MS
D671,097 S	11/2012	Mi et al.	2009/0262028 A1	10/2009	Mumbru et al.	
D676,429 S	2/2013	Gosalia et al.	2010/0188297 A1	7/2010	Chen et al.	
D678,255 S	3/2013	Ko et al.	2010/0220016 A1*	9/2010	Nissinen et al.	343/702
D684,565 S	6/2013	Wei	2010/0225551 A1*	9/2010	Yang et al.	343/749
D685,772 S	7/2013	Zheng et al.	2010/0309067 A1	12/2010	Tsou et al.	
2002/0003499 A1	1/2002	Kouam et al.	2011/0006950 A1	1/2011	Park et al.	
			2012/0038514 A1	2/2012	Bang	
			2012/0229348 A1	9/2012	Chiang	
			2012/0242546 A1	9/2012	Hu et al.	

* cited by examiner

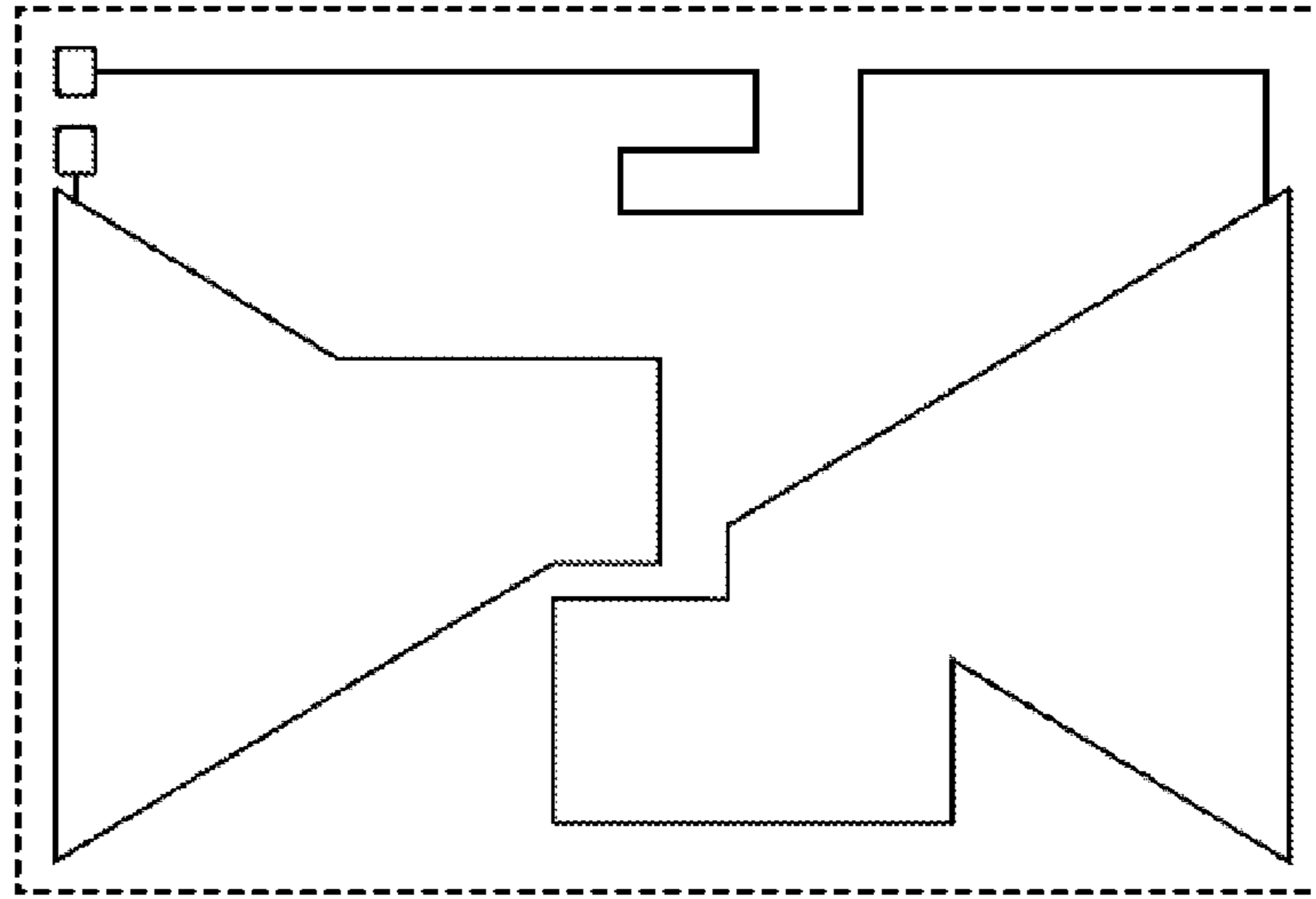


FIG 1

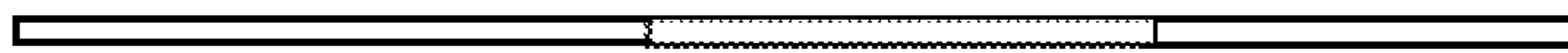


FIG 2

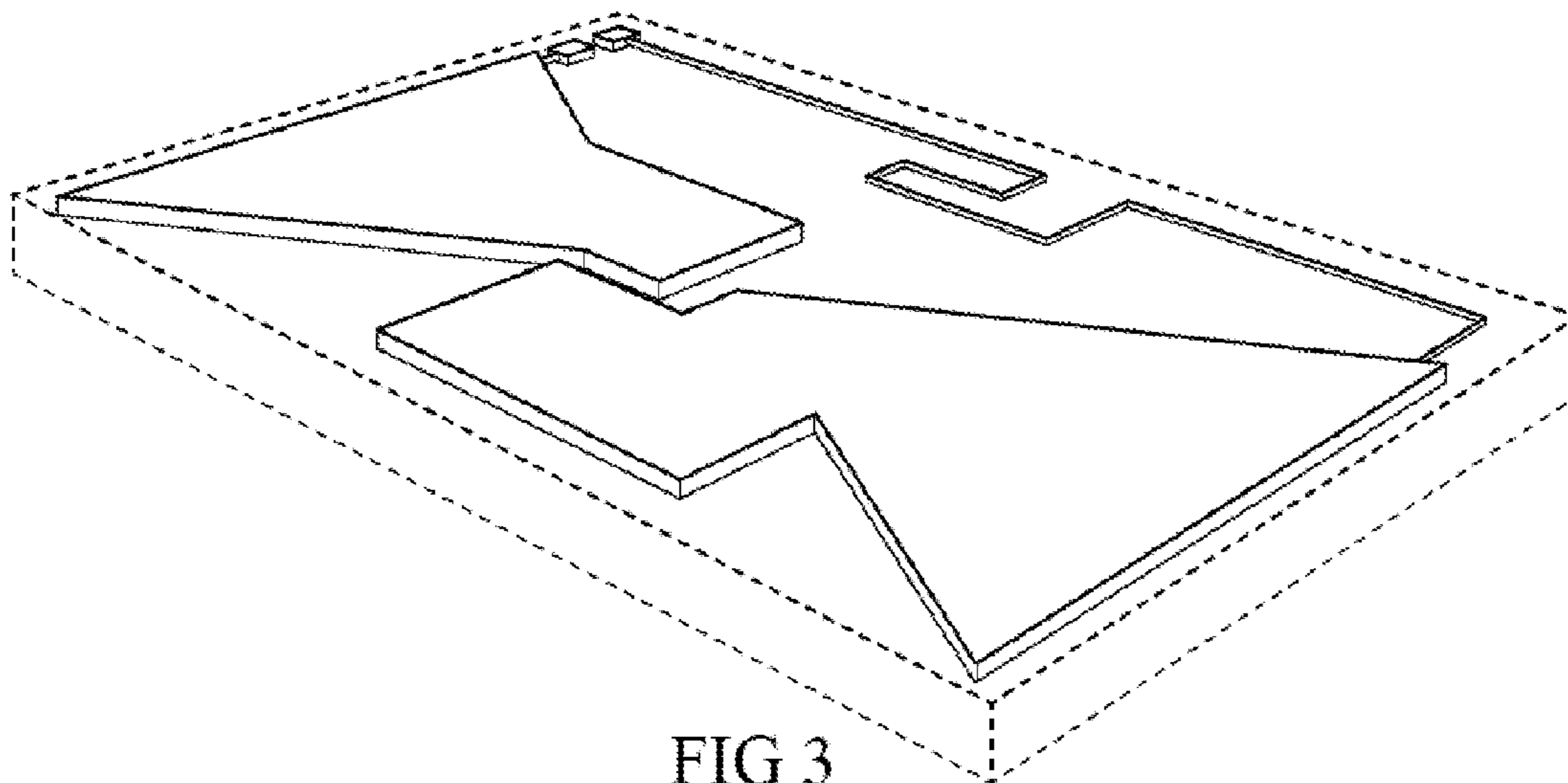


FIG 3

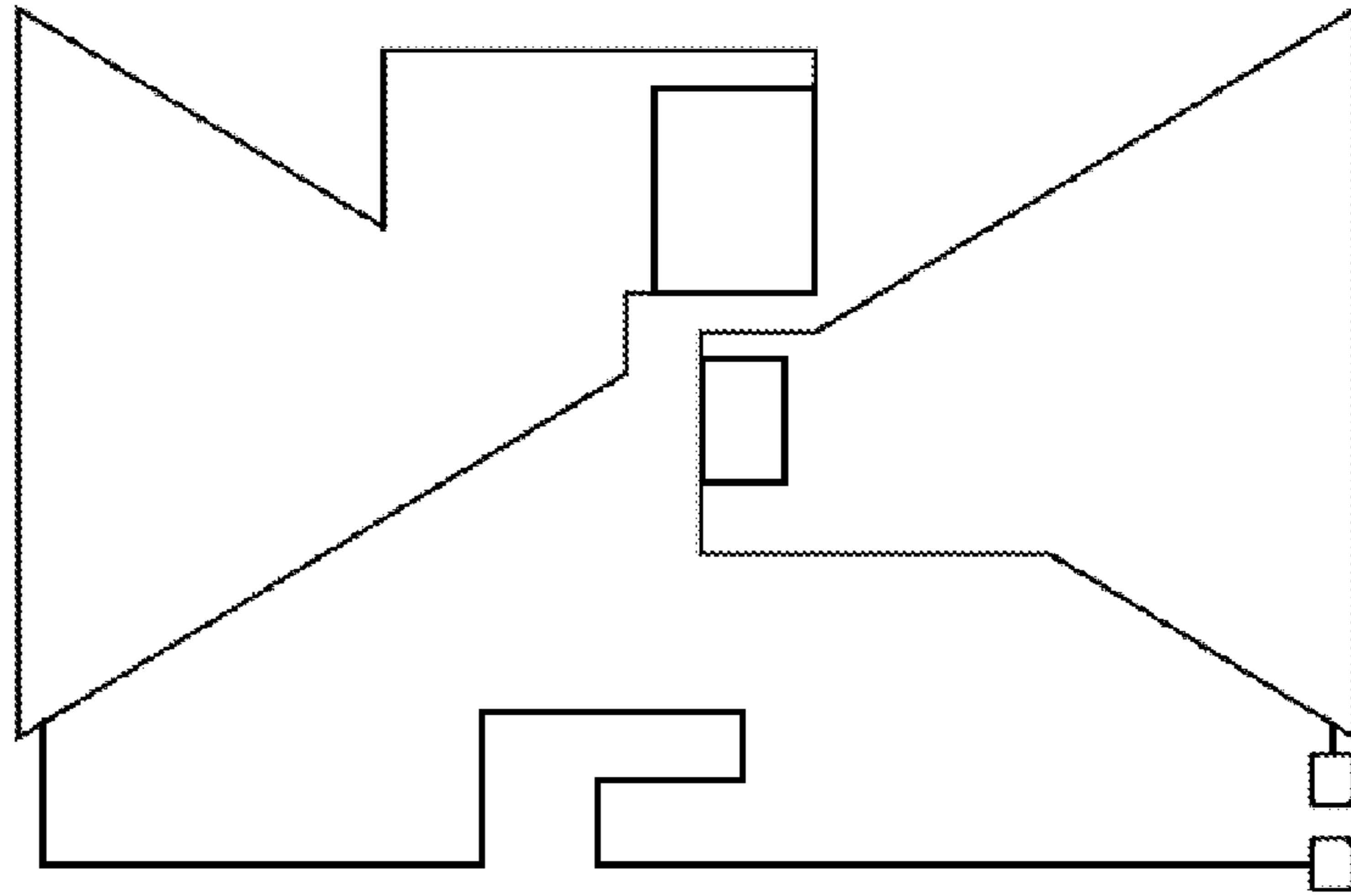


FIG 4

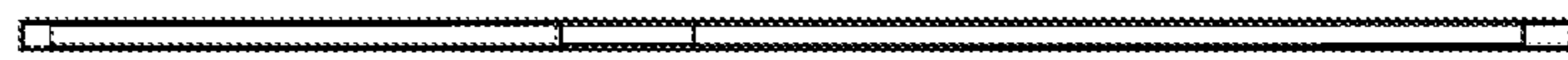


FIG 5

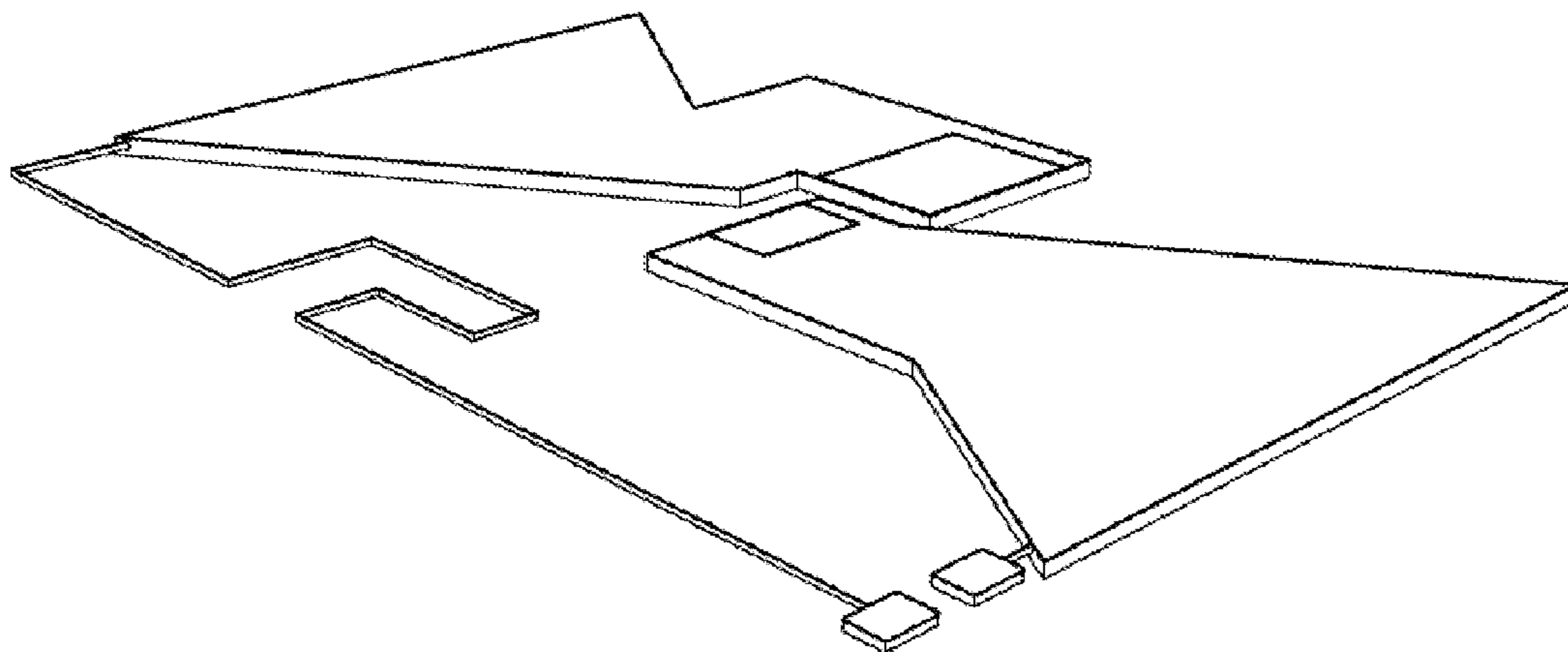


FIG 6