

US00D695278S

(12) **United States Design Patent**  
**Koskelainen**

(10) **Patent No.:** **US D695,278 S**

(45) **Date of Patent:** **\*\* Dec. 10, 2013**

(54) **RFID STICKER**

(75) Inventor: **Tuomas Koskelainen**, Pirkkala (FI)

(73) Assignee: **UPM RFID OY**, Pirkkala (FI)

(\*\*) Term: **14 Years**

(21) Appl. No.: **29/403,382**

(22) Filed: **Oct. 5, 2011**

(51) **LOC (9) Cl.** ..... **14-03**

(52) **U.S. Cl.**  
USPC ..... **D14/230**

(58) **Field of Classification Search**  
USPC ..... D14/138, 230–238, 299, 358; D12/42,  
D12/43; 343/700 MS, 700 R–705, 711–713,  
343/735, 736, 741, 748, 767, 795, 819, 840,  
343/846, 866, 871–908; 455/90.2, 90.3, 91,  
455/128, 269, 344, 347, 562.1; 333/193,  
333/195

See application file for complete search history.

(56) **References Cited**

**U.S. PATENT DOCUMENTS**

D209,969 S \* 1/1968 Greenberg ..... D14/230  
D546,820 S \* 7/2007 Oliver ..... D14/230  
D547,754 S \* 7/2007 Oliver ..... D14/230

D573,589 S \* 7/2008 Montgomery et al. .... D14/230  
7,505,002 B2 \* 3/2009 Surittikul et al. .... 343/700 MS  
D594,857 S \* 6/2009 Deguchi et al. .... D14/230  
D602,480 S \* 10/2009 Ikemoto ..... D14/230  
D611,037 S \* 3/2010 Oliver ..... D14/230  
D611,038 S \* 3/2010 Deguchi et al. .... D14/230  
D632,673 S \* 2/2011 Isaias ..... D14/218  
2003/0006940 A1 \* 1/2003 Washiro et al. .... 343/895  
2003/0210200 A1 \* 11/2003 McConnell ..... 343/795  
2006/0145931 A1 \* 7/2006 Ranta ..... 343/702  
2007/0200782 A1 \* 8/2007 Hayama et al. .... 343/795  
2008/0106473 A1 \* 5/2008 Chung et al. .... 343/700 MS  
2008/0204329 A1 \* 8/2008 Taki et al. .... 343/700 MS

\* cited by examiner

*Primary Examiner* — John Windmuller

(74) *Attorney, Agent, or Firm* — Jacobson Holman PLLC

(57) **CLAIM**

The ornamental design for an RFID sticker, as shown and described.

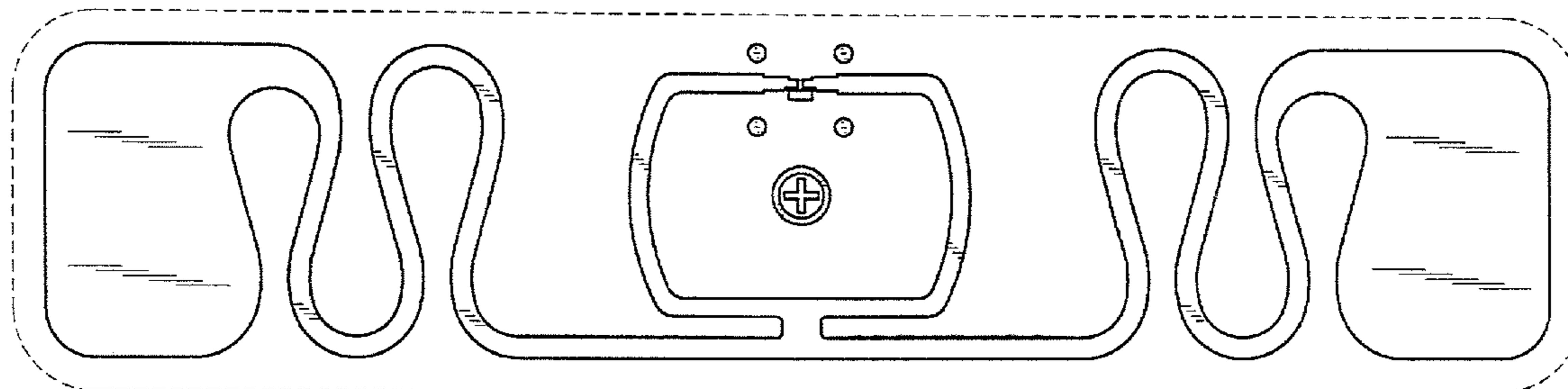
**DESCRIPTION**

FIG. 1 is a top view of an RFID sticker showing my new design; and,

FIG. 2 is a front perspective view thereof.

The broken line portions of the figures are included to show unclaimed subject matter only and form no part of the claimed design.

**1 Claim, 2 Drawing Sheets**



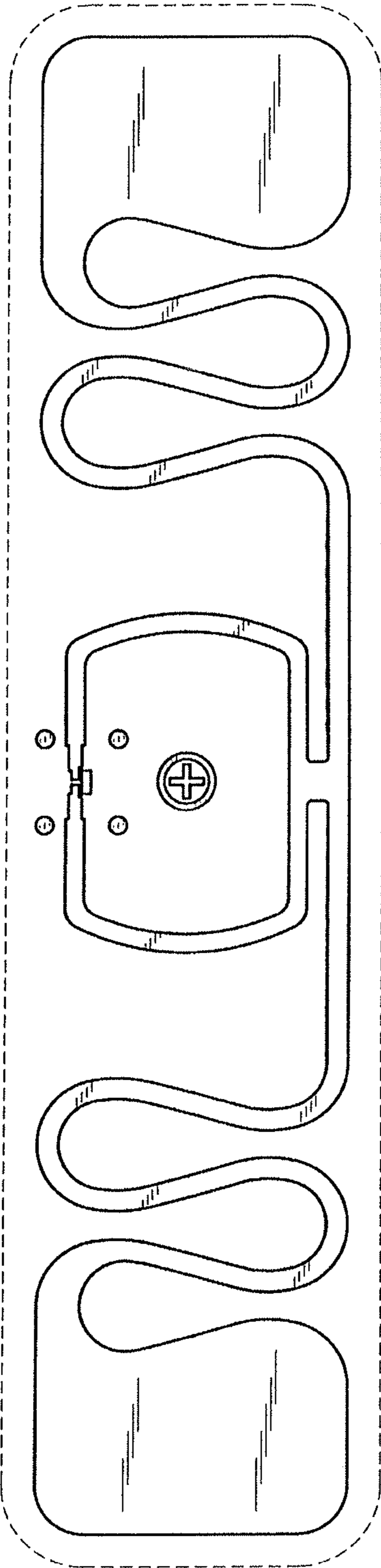


FIG. 1

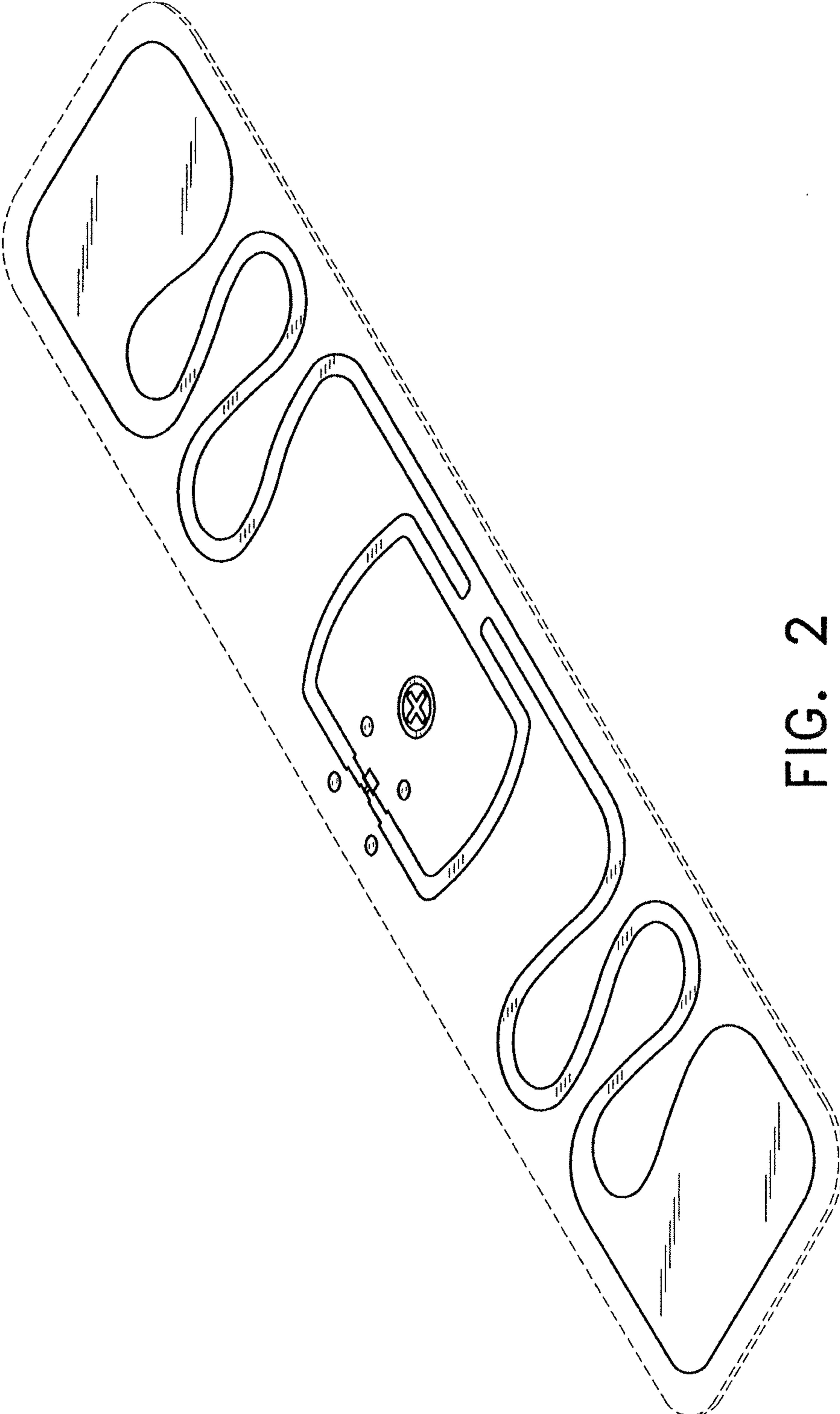


FIG. 2

UNITED STATES PATENT AND TRADEMARK OFFICE  
**CERTIFICATE OF CORRECTION**

PATENT NO. : D695,278 S  
APPLICATION NO. : 29/403382  
DATED : December 10, 2013  
INVENTOR(S) : Tuomas Koskelainen

Page 1 of 1

It is certified that error appears in the above-identified patent and that said Letters Patent is hereby corrected as shown below:

On the title page item (73), replace “UPM RFID OY, Pirkkala (FI)” WITH --Smartrac IP B.V.,  
Amsterdam (NL)--

Signed and Sealed this  
Fourteenth Day of April, 2015



Michelle K. Lee  
*Director of the United States Patent and Trademark Office*