



US00D695275S

(12) **United States Design Patent**
Chee

(10) **Patent No.:** **US D695,275 S**
(45) **Date of Patent:** **** Dec. 10, 2013**

(54) **HEADPHONES**

(71) Applicant: **Sennheiser electronic GmbH & Co. KG, Wedemark (DE)**

(72) Inventor: **Daniel Eu Leng Chee, Alexandra Technopark (SG)**

(73) Assignee: **Sennheiser electronic GmbH & Co. KG, Wedemark (DE)**

(**) Term: **14 Years**

(21) Appl. No.: **29/436,982**

(22) Filed: **Nov. 12, 2012**

(30) **Foreign Application Priority Data**

May 22, 2012 (EM) 0013273160001

(51) **LOC (9) Cl.** **14-01**

(52) **U.S. Cl.**
USPC **D14/223**

(58) **Field of Classification Search**
USPC D14/205, 206, 223; 181/129, 130, 135;
379/430, 431; 381/380, 381, 385;
455/90.3, 575.1

See application file for complete search history.

(56) **References Cited**

U.S. PATENT DOCUMENTS

5,412,736	A *	5/1995	Keliliki	381/381
5,625,171	A *	4/1997	Marshall	181/130
D443,261	S *	6/2001	Yuyama	D14/223
D469,422	S *	1/2003	Nguyen et al.	D14/205
D470,129	S *	2/2003	Hlas et al.	D14/223
D498,227	S *	11/2004	Dyer et al.	D14/205
D501,196	S *	1/2005	Dyer et al.	D14/205
D504,672	S *	5/2005	Hirano	D14/205

D506,462	S *	6/2005	Han et al.	D14/205
D510,085	S *	9/2005	Suzuki	D14/223
D515,069	S *	2/2006	Naito	D14/205
D543,968	S *	6/2007	Wong	D14/205
D557,255	S *	12/2007	Shintani	D14/206
D571,784	S *	6/2008	Jensen et al.	D14/205
D603,847	S *	11/2009	Chung	D14/223
7,648,005	B2 *	1/2010	Leong et al.	181/135
D639,787	S *	6/2011	Quek	D14/223
D645,454	S *	9/2011	Quek	D14/223
8,265,328	B2 *	9/2012	Milde et al.	381/381
D685,768	S *	7/2013	Mogili	D14/223

* cited by examiner

Primary Examiner — Paula Greene

(74) *Attorney, Agent, or Firm* — Frommer Lawrence & Haug LLP

(57) **CLAIM**

The ornamental design for headphones, as shown and described.

DESCRIPTION

FIG. 1 is a bottom view of the headphones in accordance with the invention.

FIG. 2 is a top view of the headphones in accordance with the invention.

FIG. 3 is a right view of the headphones in accordance with the invention.

FIG. 4 is a left view of the headphones in accordance with the invention.

FIG. 5 is a front view of the headphones in accordance with the invention.

FIG. 6 is a rear view of the headphones in accordance with the invention; and,

FIG. 7 is a perspective view of the headphones in accordance with the invention.

1 Claim, 5 Drawing Sheets

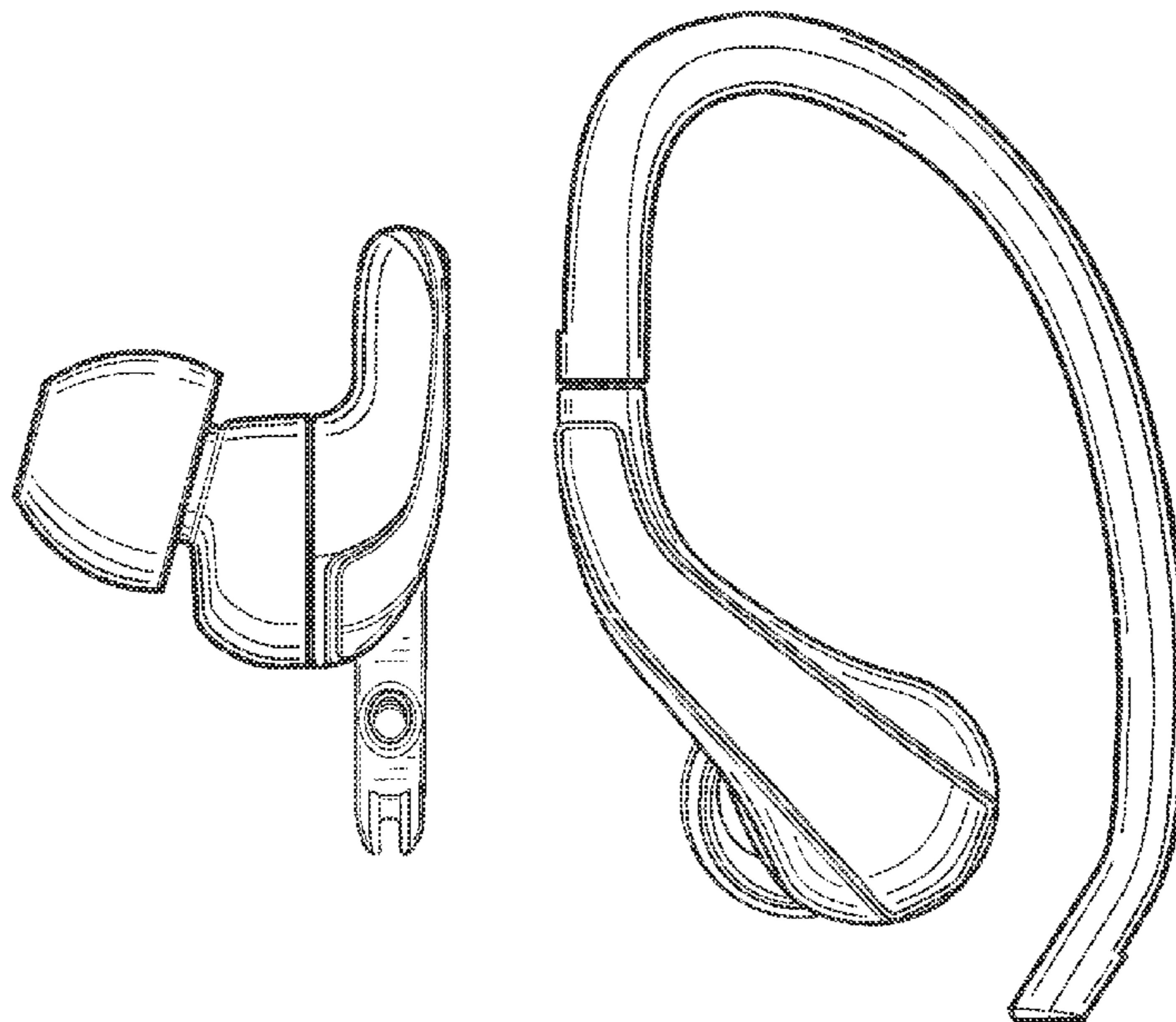


FIG. 1

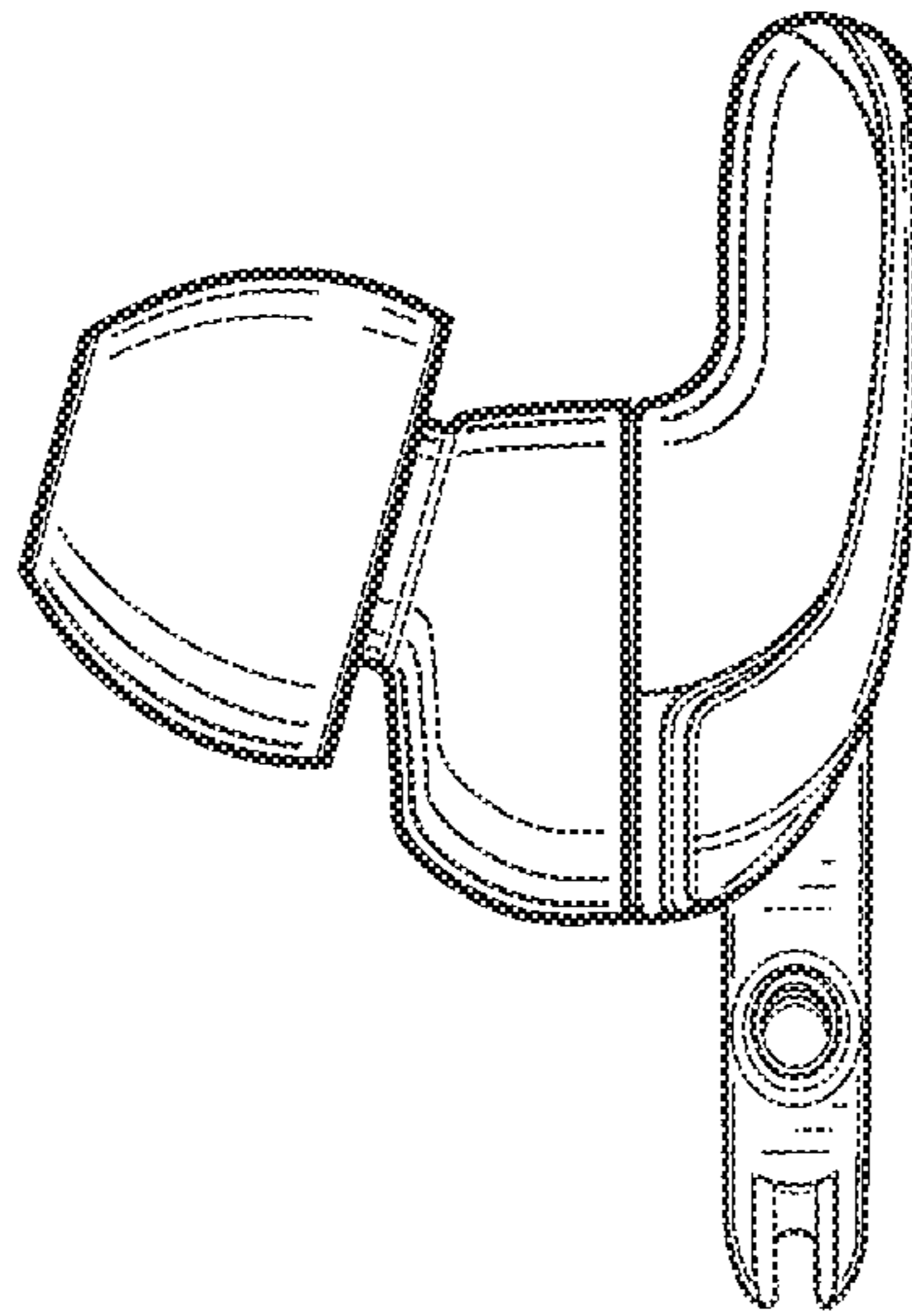


FIG. 2

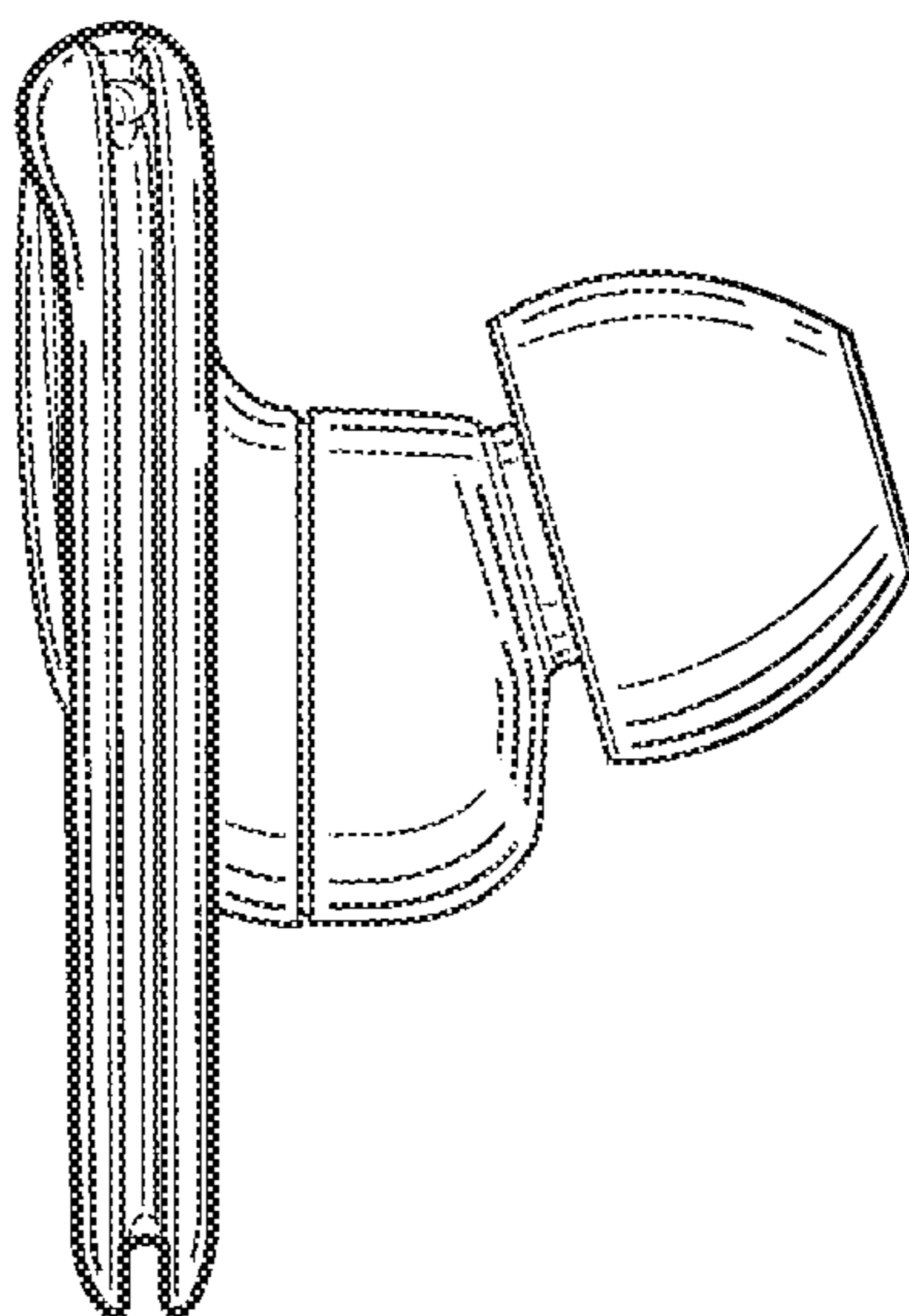


FIG. 3

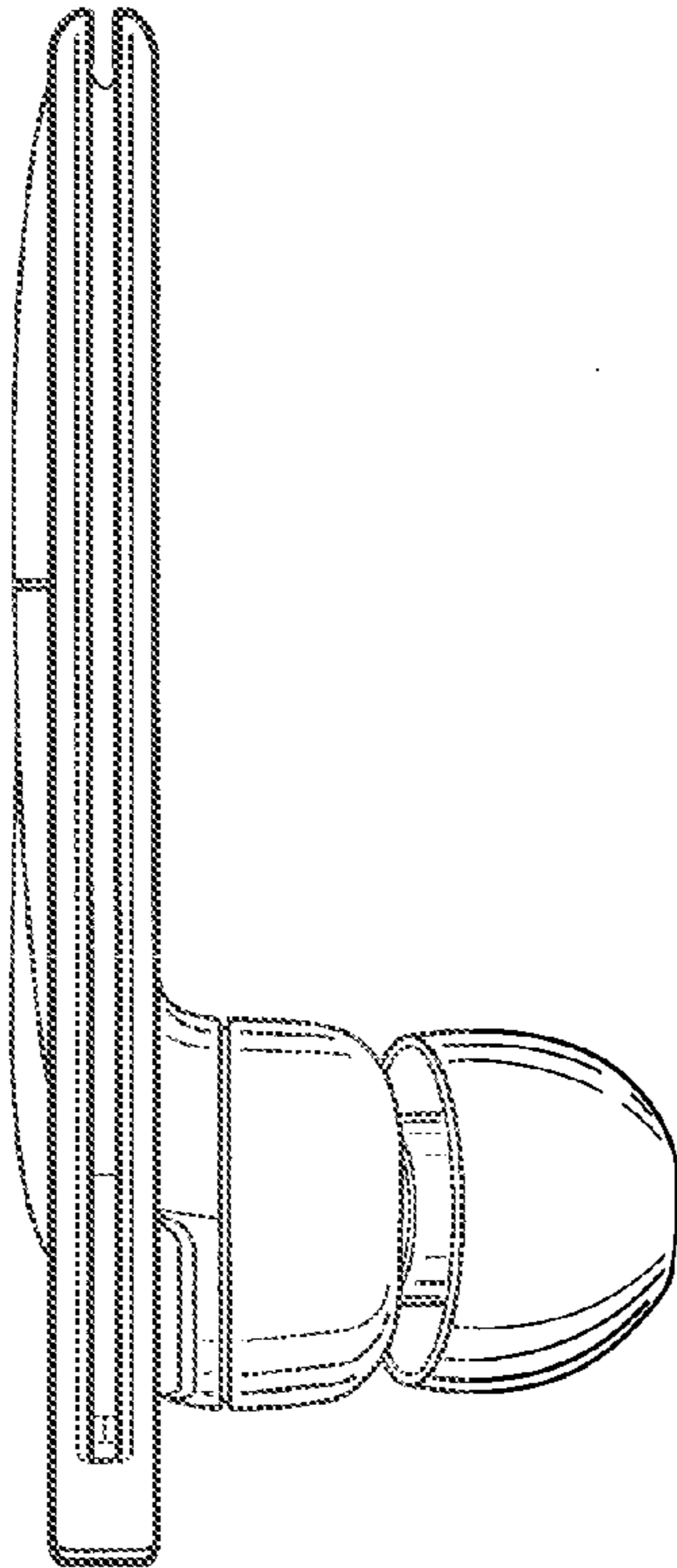


FIG. 4

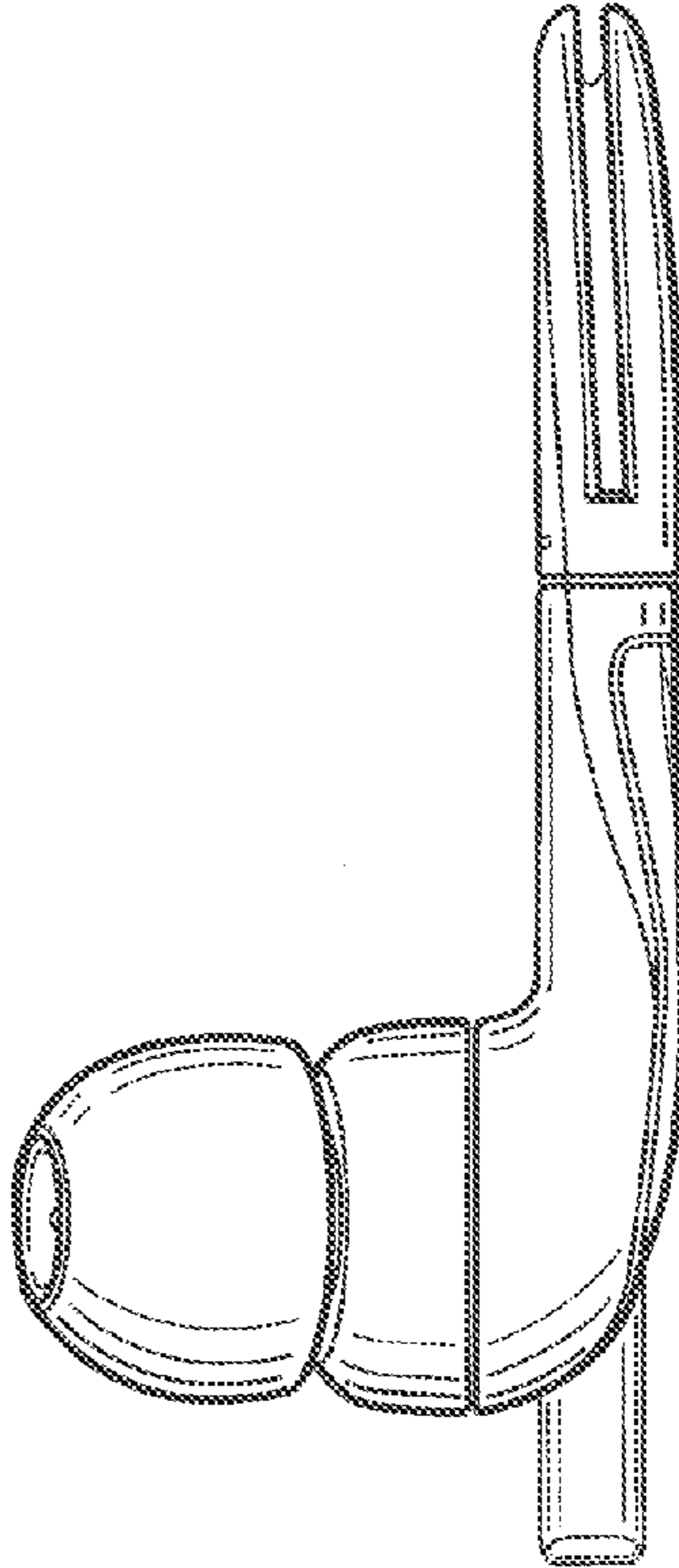


FIG. 5

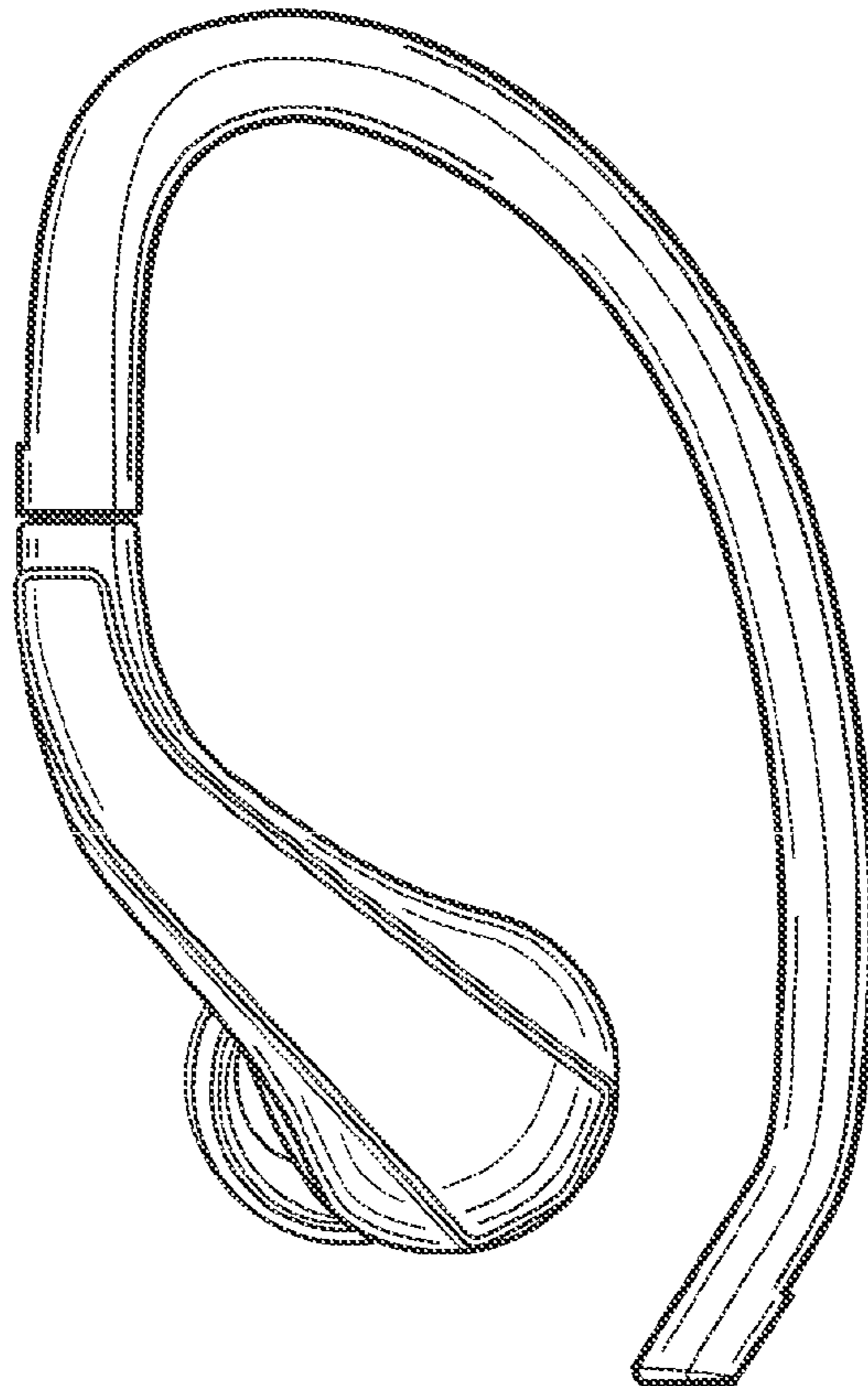


FIG. 6

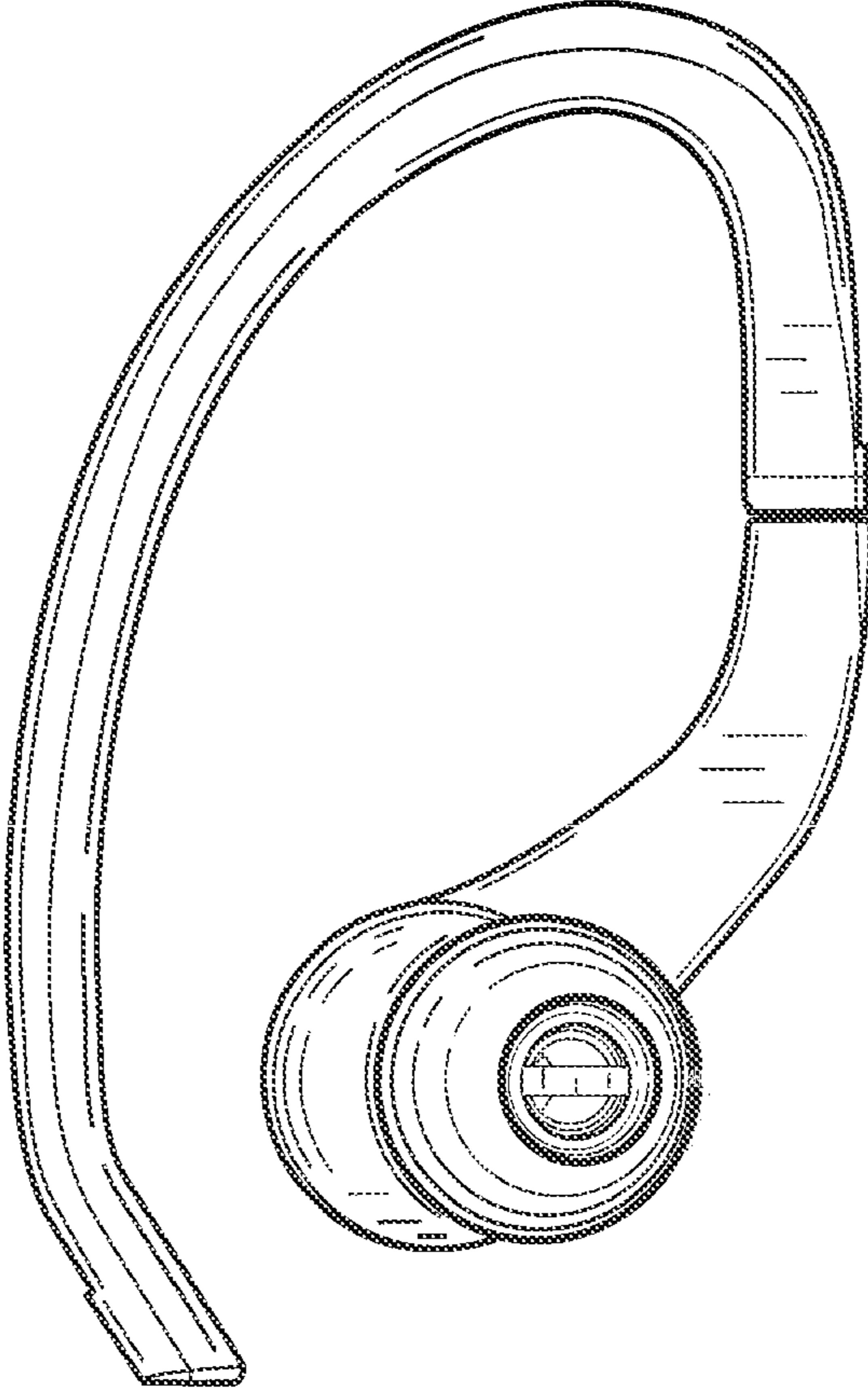


FIG. 7

