



US00D695273S

(12) **United States Design Patent**
Siau

(10) **Patent No.:** **US D695,273 S**

(45) **Date of Patent:** **** Dec. 10, 2013**

(54) **REMOTE CONTROL**

(71) Applicant: **Nagravision S.A.**,
Cheseaux-sur-Lausanne (CH)

(72) Inventor: **Arthur Siau**, Paris (FR)

(73) Assignee: **Nagravision S.A.**,
Cheseaux-sur-Lausanne (CH)

(**) Term: **14 Years**

(21) Appl. No.: **29/447,020**

(22) Filed: **Feb. 28, 2013**

(30) **Foreign Application Priority Data**

Aug. 30, 2012 (CH) DM/079 017

(51) **LOC (9) Cl.** **14-03**

(52) **U.S. Cl.**
USPC **D14/218**

(58) **Field of Classification Search**
USPC D14/218, 455; D13/168; D21/566;
D10/104, 106; 345/169; 348/14.05,
348/114, 211.99, 734; 340/825.24; 341/22;
455/92, 95, 128, 151.1-151.4, 352,
455/355, FOR. 121; 700/65
See application file for complete search history.

(56) **References Cited**

U.S. PATENT DOCUMENTS

D427,993	S	*	7/2000	Seal	D14/218
D489,713	S	*	5/2004	Yusa	D14/230
D525,947	S	*	8/2006	Gerard et al.	D13/168
D618,667	S	*	6/2010	Chiu	D14/218
D625,295	S	*	10/2010	Nogueira et al.	D14/218
D636,380	S	*	4/2011	Valeur	D14/218
D641,717	S	*	7/2011	Nan	D13/168
D649,532	S	*	11/2011	Tran et al.	D14/218
D656,127	S	*	3/2012	Kay et al.	D14/218
D678,284	S	*	3/2013	Coulter	D14/412

* cited by examiner

Primary Examiner — John Windmuller

(74) *Attorney, Agent, or Firm* — DLA Piper LLP US

(57) **CLAIM**

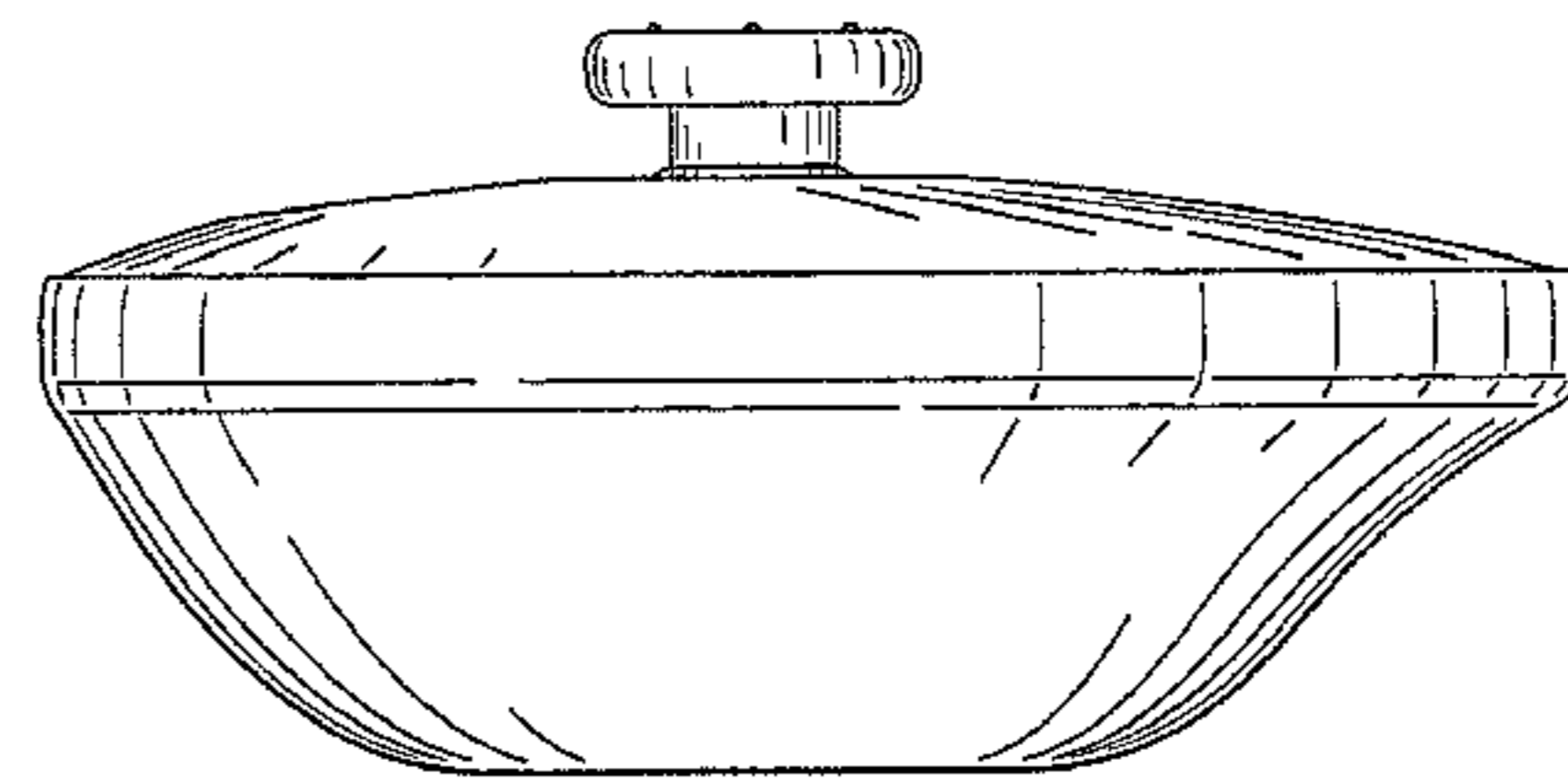
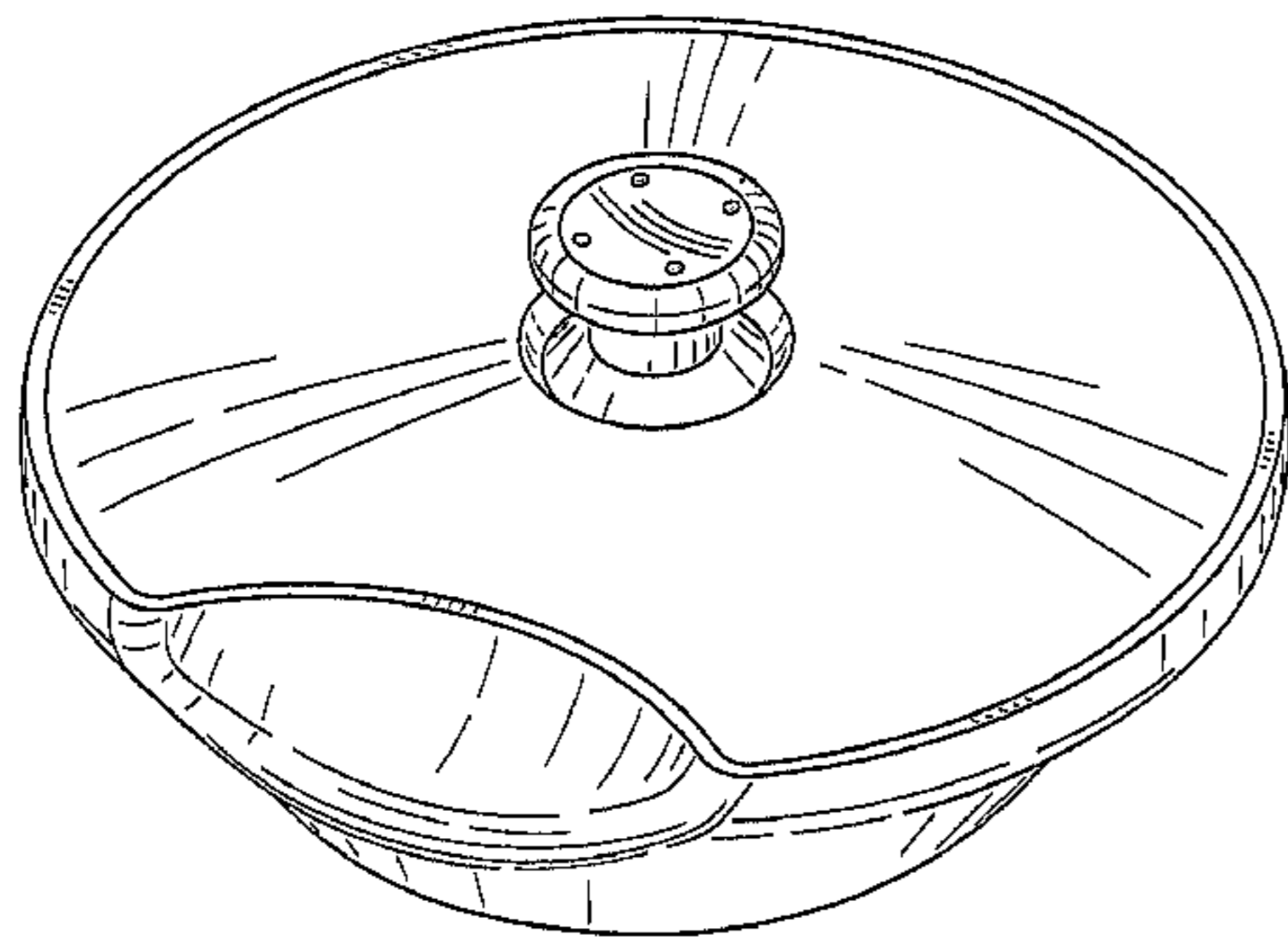
The ornamental design for a remote control, as shown and described.

DESCRIPTION

FIG. 1 is a top perspective view of a remote control;
FIG. 2 is a front view thereof;
FIG. 3 is a back view thereof;
FIG. 4 is a right side view thereof;
FIG. 5 is a left side view thereof;
FIG. 6 is a top view thereof; and,
FIG. 7 is a bottom view thereof.

This application claims priority to International Application No. DM/079 017, filed Aug. 30, 2012, which is incorporated by reference in its entirety.

1 Claim, 4 Drawing Sheets



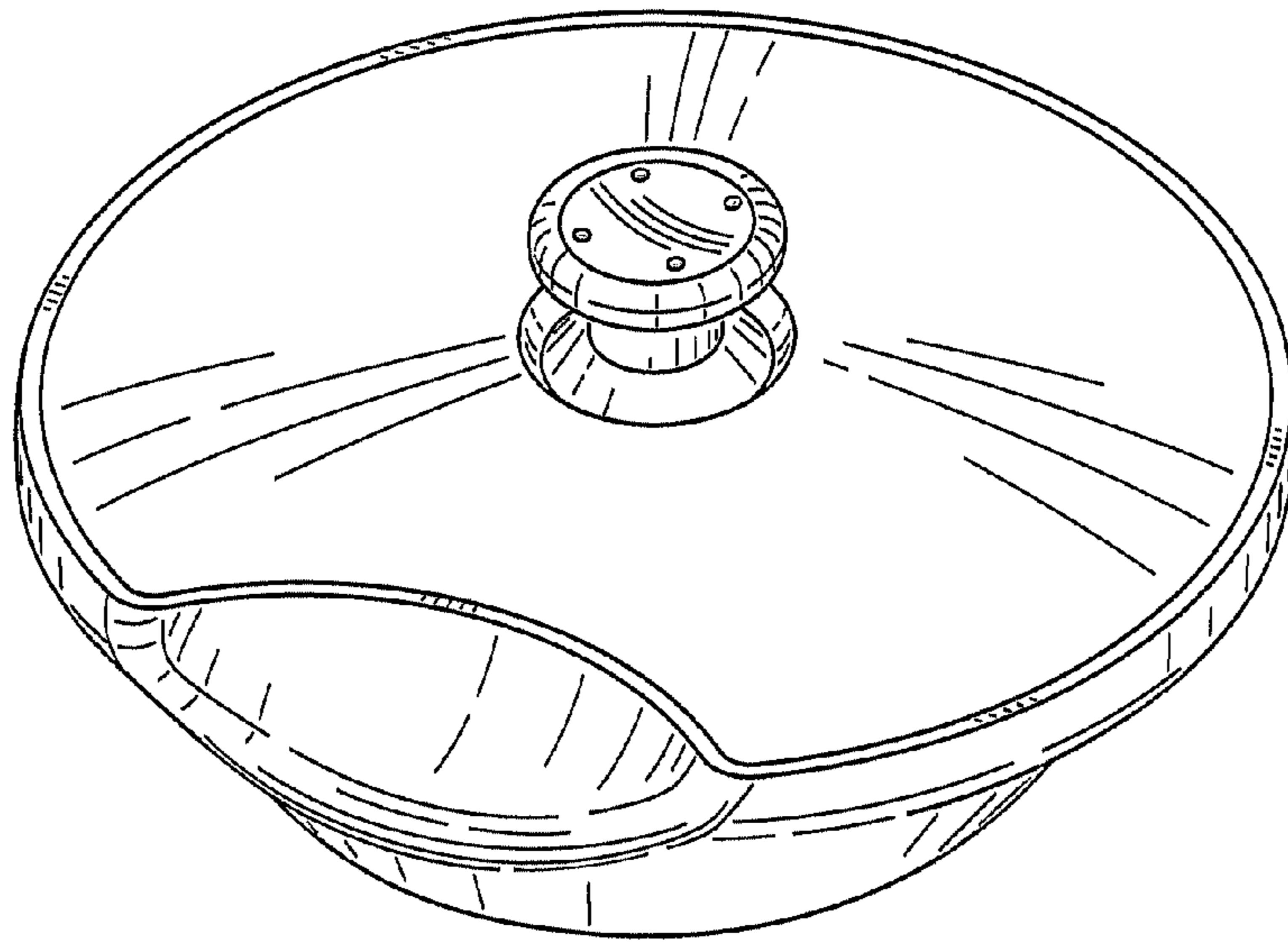


FIG. 1

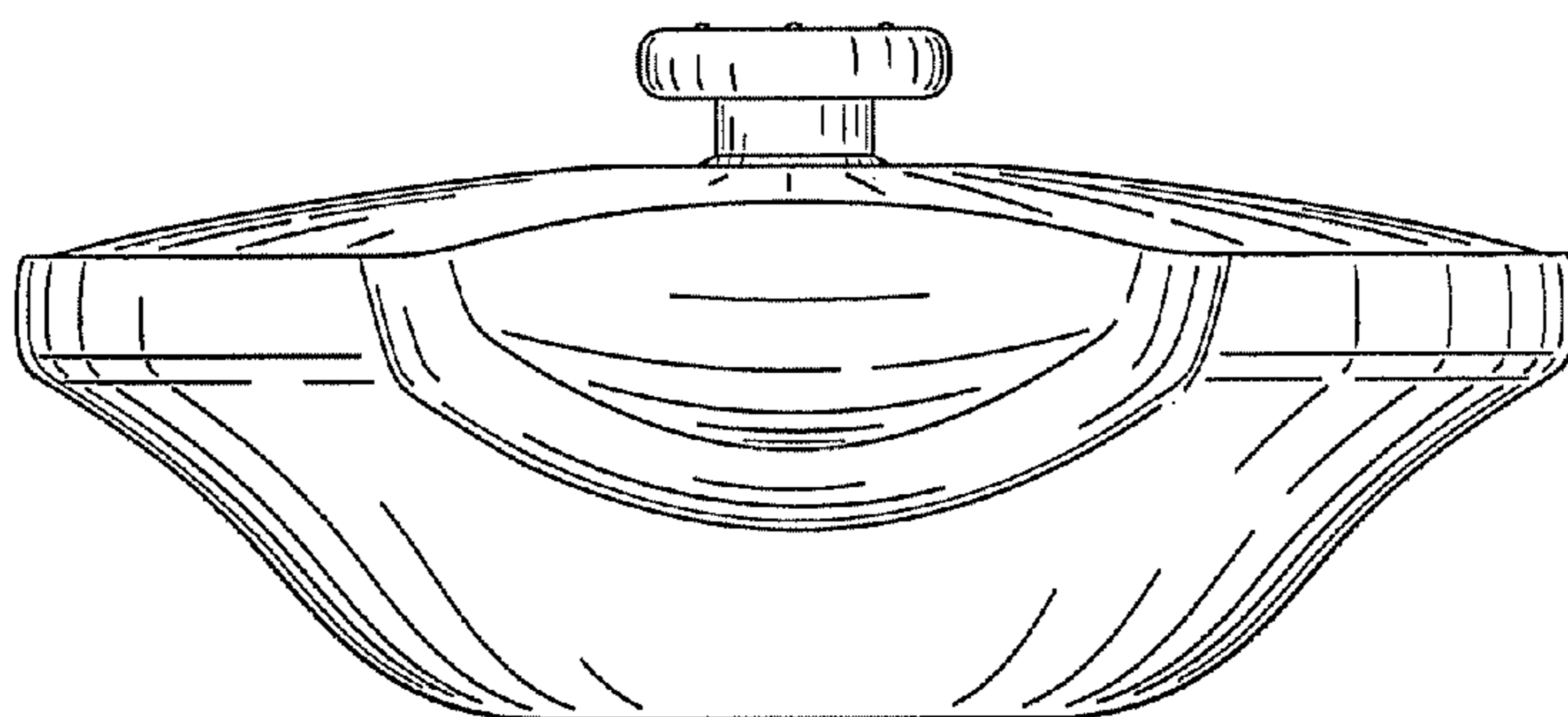


FIG. 2

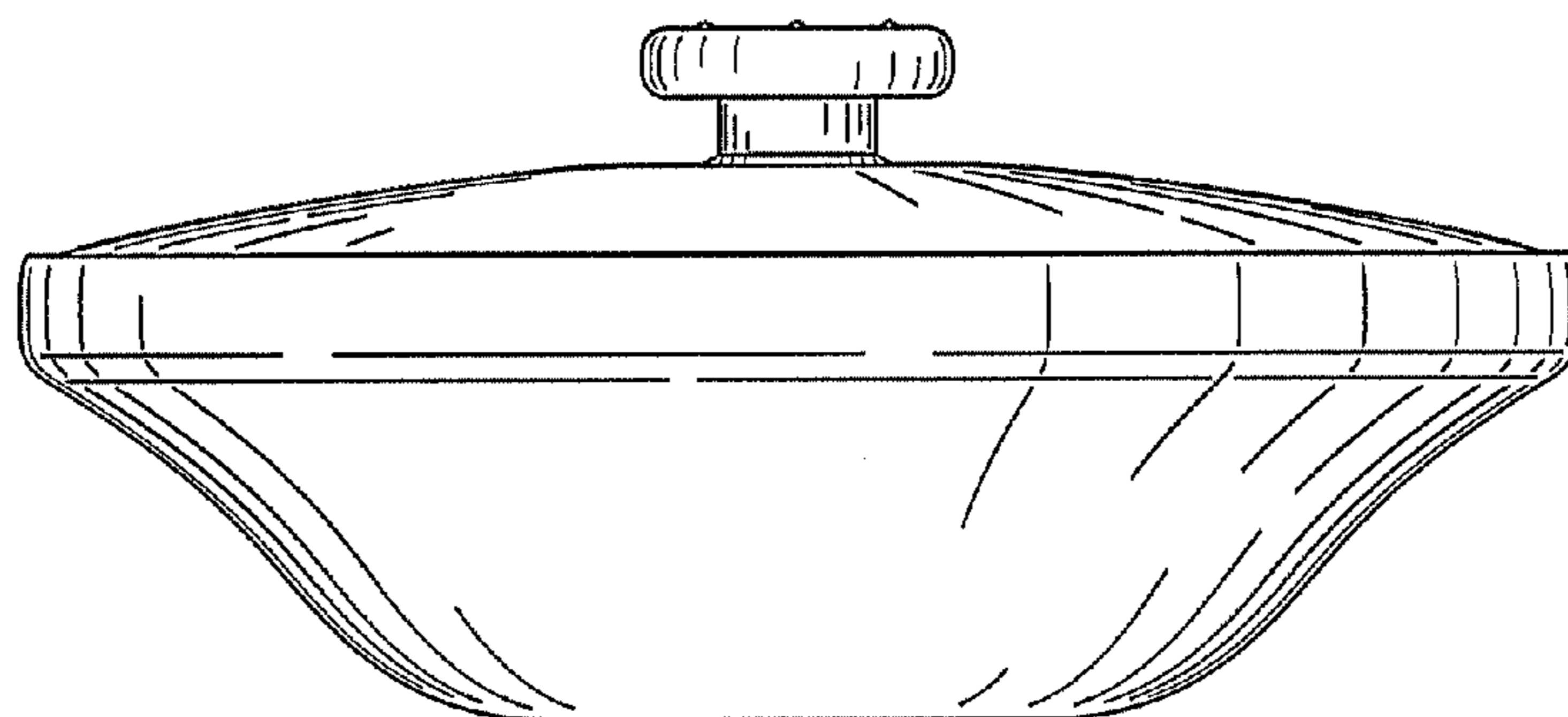


FIG. 3

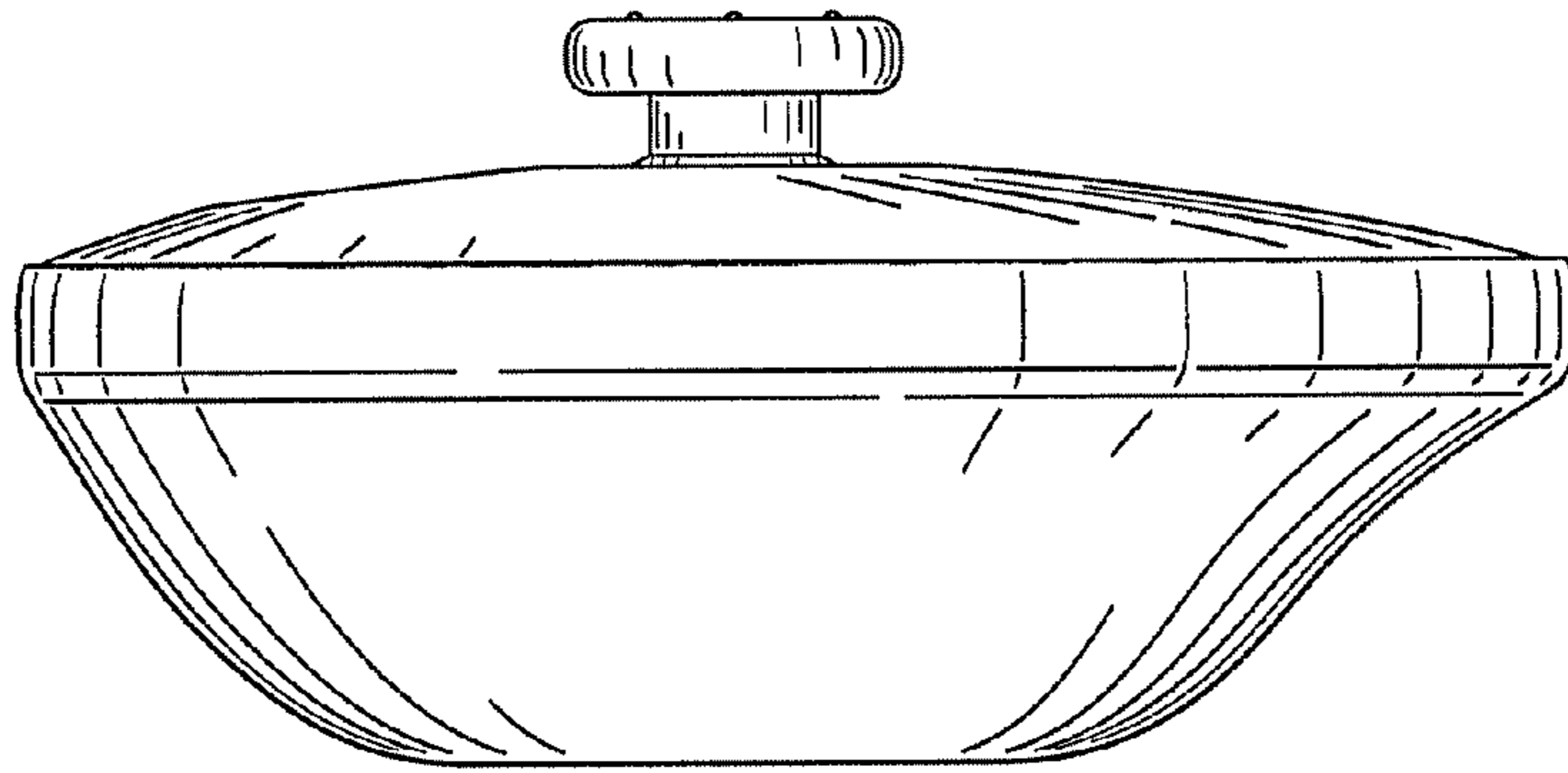


FIG. 4

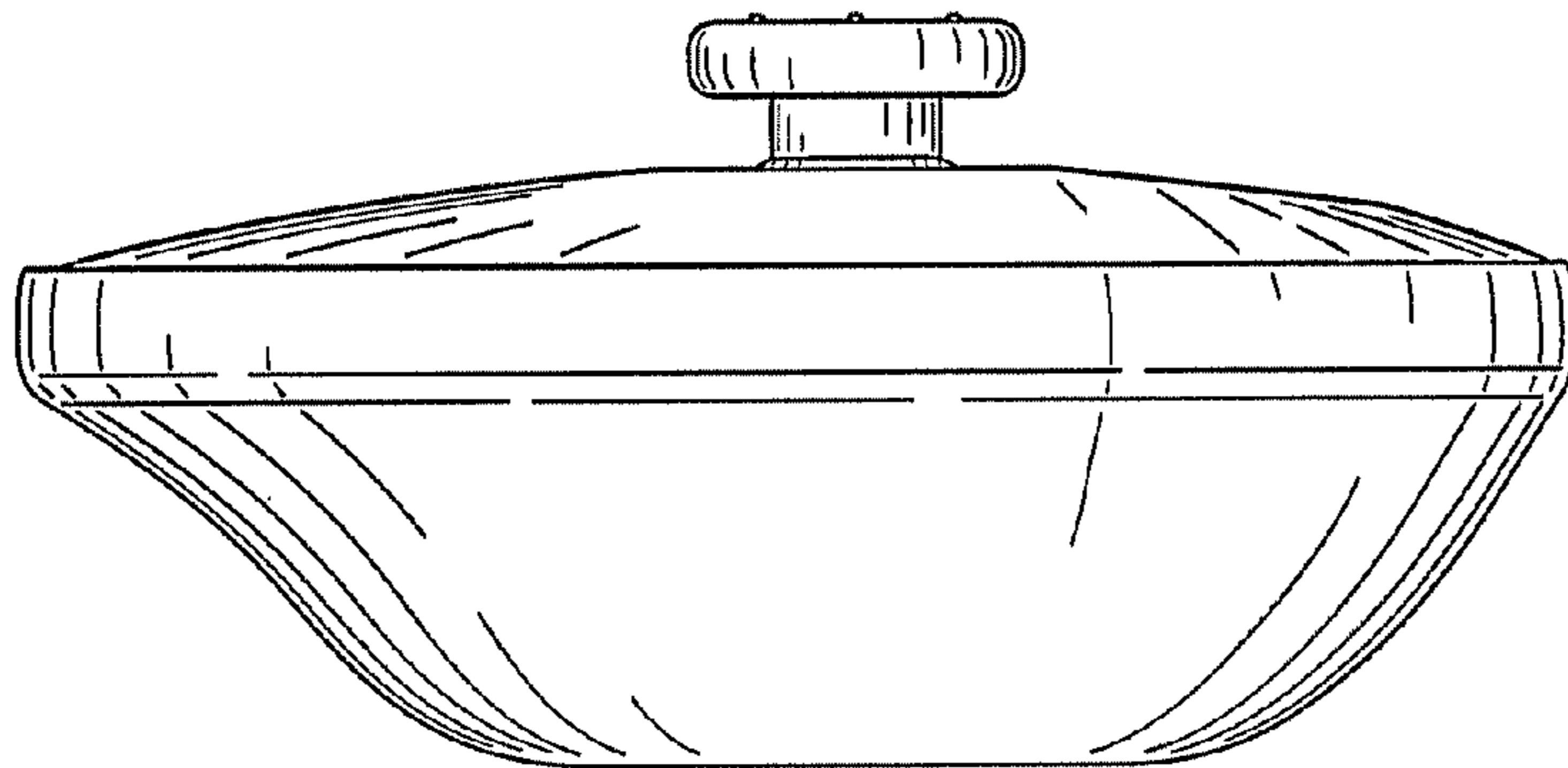


FIG. 5

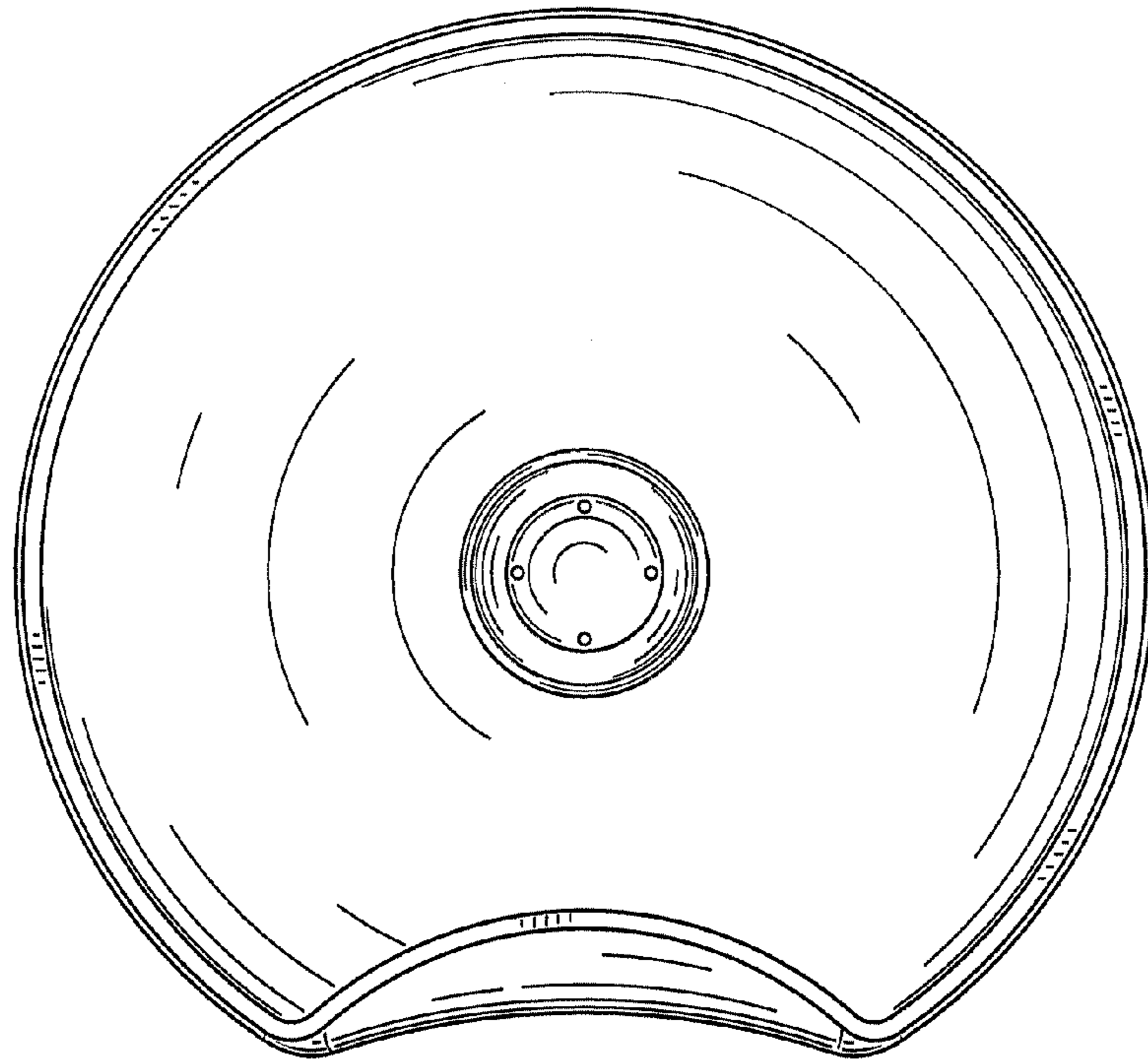


FIG. 6

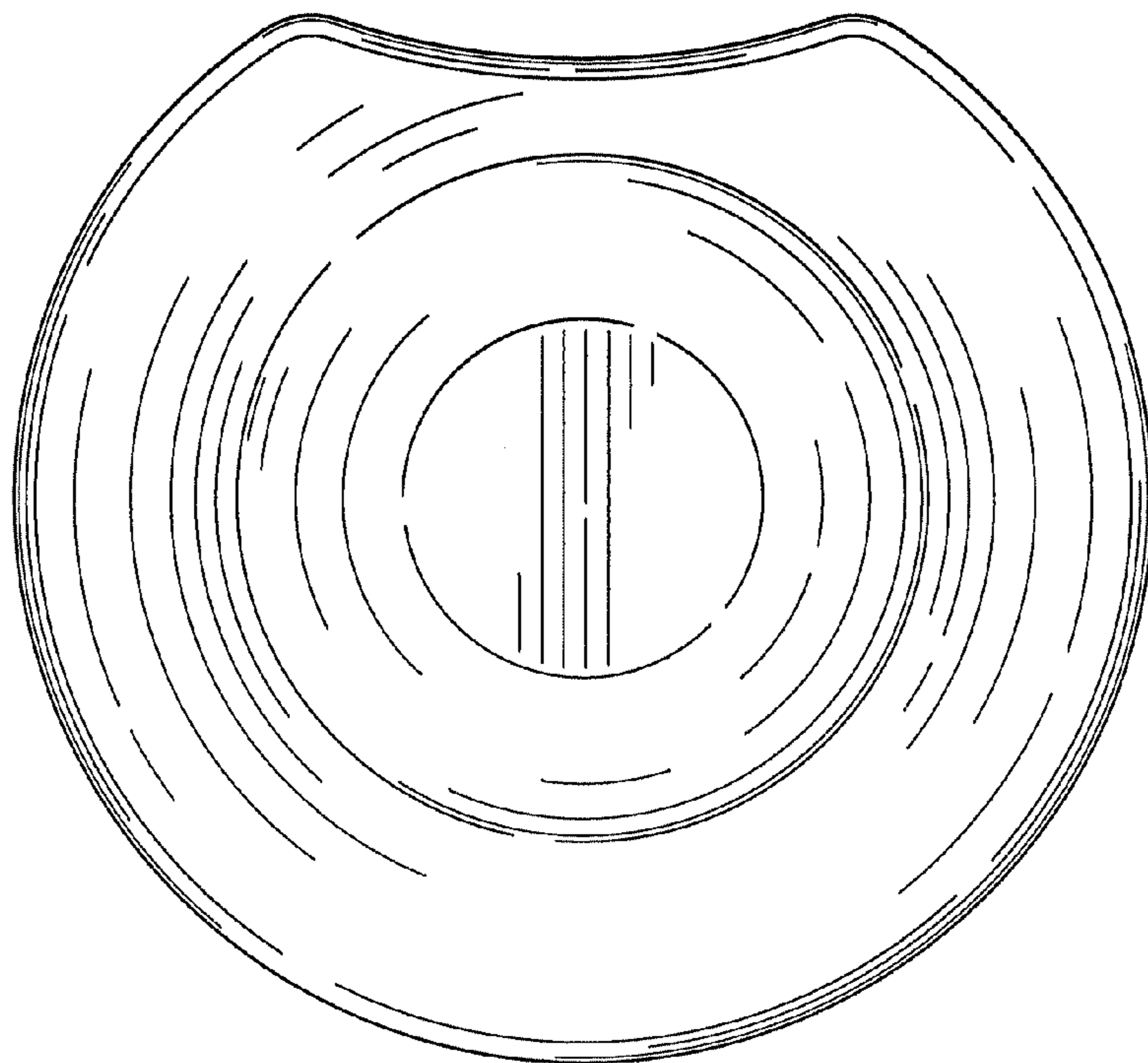


FIG. 7