



US00D695272S

(12) **United States Design Patent**
Hansen et al.

(10) **Patent No.:** **US D695,272 S**
(45) **Date of Patent:** **** Dec. 10, 2013**

- (54) **REMOTE CONTROL FOR VIDEO MANAGEMENT**
- (71) Applicant: **Cisco Technology, Inc.**, San Jose, CA (US)
- (72) Inventors: **Eskild Hansen**, Copenhagen (DK); **Min Jung Chu**, San Ramon, CA (US); **Mark S. Shurtleff**, Oakland, CA (US); **Xiaoyuan Dai**, Shanghai (CN); **Pachongjit Tittiranonda**, Los Altos, CA (US); **Ali Ebtekar**, Palo Alto, CA (US)
- (73) Assignee: **Cisco Technology, Inc.**, San Jose, CA (US)
- (**) Term: **14 Years**
- (21) Appl. No.: **29/435,711**
- (22) Filed: **Oct. 26, 2012**
- (51) **LOC (9) Cl.** **14-03**
- (52) **U.S. Cl.**
USPC **D14/218**
- (58) **Field of Classification Search**
USPC D14/218, 455; D13/168; D21/566; D10/104, 106; 345/169; 348/14.05, 348/114, 211.99, 734; 340/825.24; 341/22; 455/92, 95, 128, 151.1-151.4, 352, 455/355, FOR. 121; 700/65
See application file for complete search history.

- D394,266 S 5/1998 Hogenbirk
- D394,659 S * 5/1998 Biasotti et al. D14/218
- D395,312 S 6/1998 Parsadayan et al.
- D406,142 S 2/1999 Meurer
- D407,703 S 4/1999 Stokes
- D423,509 S 4/2000 Park
- D426,232 S 6/2000 Silbermann et al.
- D430,861 S 9/2000 Lytel
- D433,404 S * 11/2000 Thakur D14/218
- D437,310 S 2/2001 Gioscia

(Continued)

FOREIGN PATENT DOCUMENTS

WO DM/068600 2/2007

OTHER PUBLICATIONS

Cisco Wireless-g Ip Phone Sip 1LINE 802.11AG Speakerphone Incl Pwr Supl, <URL:http://www.amazon.com/Cisco-Wireless-g-Phone-802-11AG-Speakerphone/dp/B001F3YIJK/ref=sr_1_8?ie=UTF8&s=electronics&qid=1273357442&sr=1-8>, retrieved from internet May 8, 2010; 1 page.

(Continued)

Primary Examiner — John Windmuller
(74) *Attorney, Agent, or Firm* — Patent Capital Group

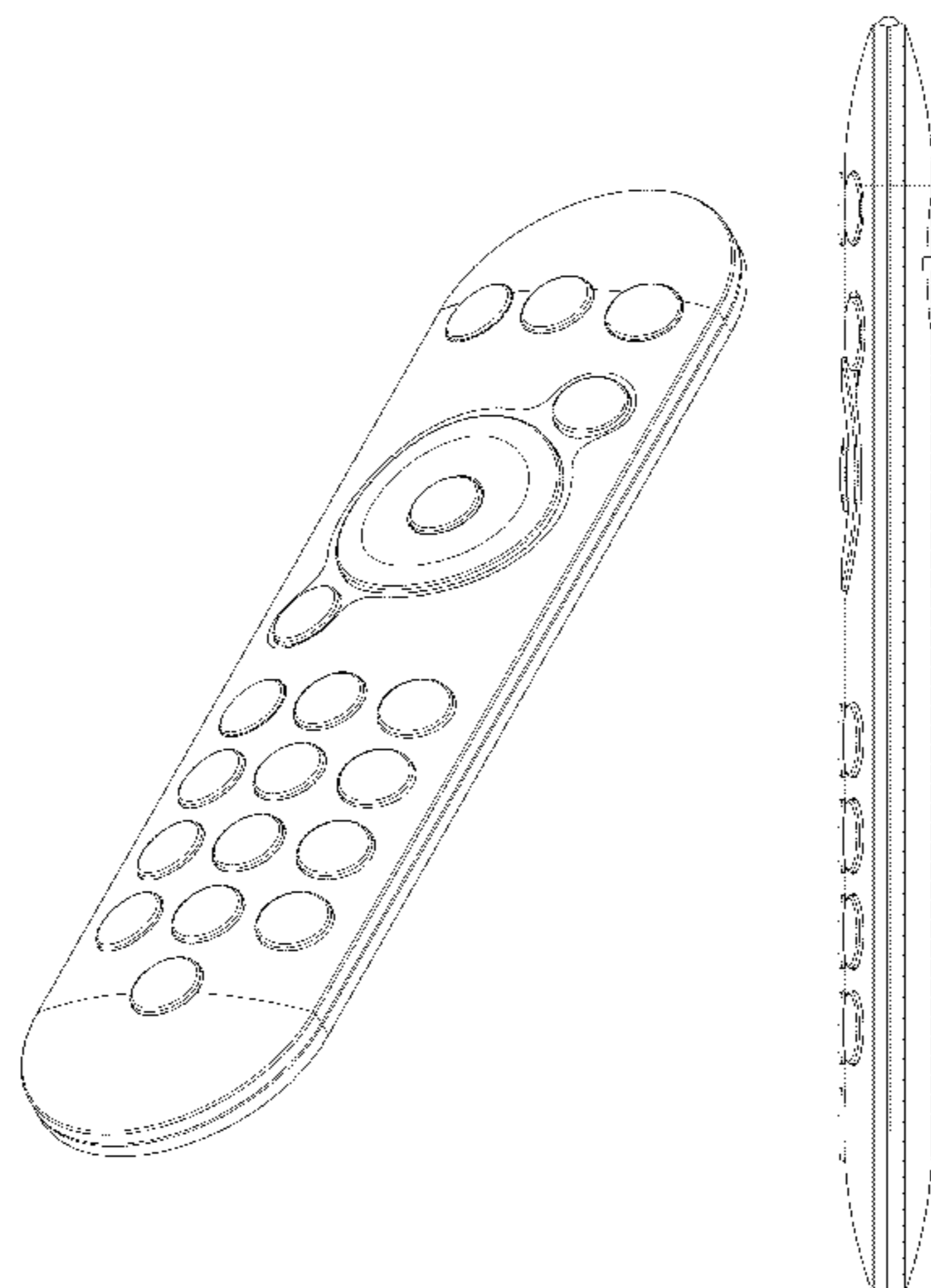
(57) **CLAIM**
The ornamental design for a remote control for video management, as shown and described.

DESCRIPTION

FIG. 1 is a top perspective view showing a remote control design;
FIG. 2 is a front view thereof;
FIG. 3 is a back view thereof;
FIG. 4 is a side view thereof;
FIG. 5 is another side view thereof;
FIG. 6 is a bottom view thereof; and,
FIG. 7 is a top view thereof.

1 Claim, 4 Drawing Sheets

- (56) **References Cited**
U.S. PATENT DOCUMENTS
D210,668 S 4/1968 Janda
D326,449 S 5/1992 Wachob et al.
D342,258 S * 12/1993 Saito et al. D14/218
D348,667 S 7/1994 Oksman et al.
D365,102 S 12/1995 Gioscia
D381,634 S 7/1997 Yanku
D385,541 S 10/1997 Taylor



(56)

References Cited

U.S. PATENT DOCUMENTS

D458,250 S 6/2002 Kim et al.
 D459,332 S 6/2002 Peiker
 D472,235 S 3/2003 Chen
 D473,220 S 4/2003 Smith et al.
 D473,550 S 4/2003 Ribeiro et al.
 D475,359 S * 6/2003 Hirose D14/480.1
 D483,353 S 12/2003 Hyogo
 D485,827 S 1/2004 Olson et al.
 D491,922 S 6/2004 Poulet
 D494,230 S 8/2004 Allen
 D496,031 S * 9/2004 Ma et al. D14/240
 D500,484 S * 1/2005 Deguchi D14/480.1
 D504,885 S * 5/2005 Zhang et al. D14/218
 D517,036 S 3/2006 Himmel
 D517,532 S 3/2006 Chen
 D519,494 S * 4/2006 An D14/218
 D520,991 S * 5/2006 Ma et al. D14/240
 D524,277 S 7/2006 Surtouc
 D524,278 S 7/2006 Hsiung
 D524,281 S 7/2006 Franck et al.
 D531,136 S 10/2006 Schoenert et al.
 D531,964 S 11/2006 Peh
 D531,993 S 11/2006 Choi et al.
 D534,502 S 1/2007 Poulet et al.
 D534,519 S 1/2007 Stilp et al.
 D535,276 S 1/2007 Franck et al.
 D541,245 S 4/2007 Fiorio
 D541,786 S 5/2007 Ookawa
 D542,765 S 5/2007 Cho et al.
 D546,807 S 7/2007 Lee
 D550,211 S 9/2007 Ikeda et al.
 D554,630 S * 11/2007 Ma D14/240
 D555,107 S 11/2007 Choi et al.
 D559,202 S 1/2008 Sim et al.
 D563,948 S 3/2008 d'Hoore
 D566,667 S 4/2008 Whittaker et al.
 D566,668 S 4/2008 Whittaker et al.
 D571,743 S 6/2008 Tu
 D573,971 S 7/2008 Hikino et al.
 D573,981 S * 7/2008 Hoehn et al. D14/218

D574,355 S 8/2008 Okawa et al.
 D575,316 S 8/2008 Liu et al.
 D577,693 S 9/2008 King et al.
 D578,993 S * 10/2008 Yamada et al. D14/159
 D579,871 S 11/2008 Hsiau
 D583,366 S 12/2008 Chen
 D587,707 S 3/2009 Maiers et al.
 D590,395 S 4/2009 Heggkand
 D596,163 S * 7/2009 Madonna et al. D14/218
 D597,059 S 7/2009 Haspil et al.
 D598,408 S 8/2009 Arnold
 D598,436 S 8/2009 Tseng
 D605,179 S * 12/2009 Rudolph et al. D14/218
 D605,634 S 12/2009 Lewis et al.
 D606,034 S 12/2009 Suzuki
 D607,432 S 1/2010 Waterman et al.
 D608,765 S * 1/2010 Tsai et al. D14/218
 D611,462 S 3/2010 McGuire
 D614,605 S * 4/2010 Teh et al. D14/218
 D618,217 S 6/2010 Harden et al.
 D618,681 S * 6/2010 Richter et al. D14/358
 D620,900 S 8/2010 Harden et al.
 D623,641 S 9/2010 Harden et al.
 D625,294 S * 10/2010 Wada D14/218
 D626,530 S * 11/2010 Andre et al. D14/203.3
 D627,328 S 11/2010 Harden et al.
 D628,988 S * 12/2010 Yu D14/218
 D633,478 S * 3/2011 Bolton D14/218
 D642,161 S * 7/2011 Akana et al. D14/218
 D648,327 S * 11/2011 Maier et al. D14/218
 D656,488 S * 3/2012 Nakayama et al. D14/218
 D669,452 S * 10/2012 Akana et al. D14/218
 D687,815 S * 8/2013 Hwangho et al. D14/218
 2004/0224717 A1 * 11/2004 Hertzberg et al. 455/550.1
 2008/0204978 A1 8/2008 Haspil et al.

OTHER PUBLICATIONS

Vtech DS6301, <URL:<http://www.101phones.com/details/11797-12287/vtech-ds6301.html>>, retrieved from internet May 8, 2010; 1 page.

* cited by examiner

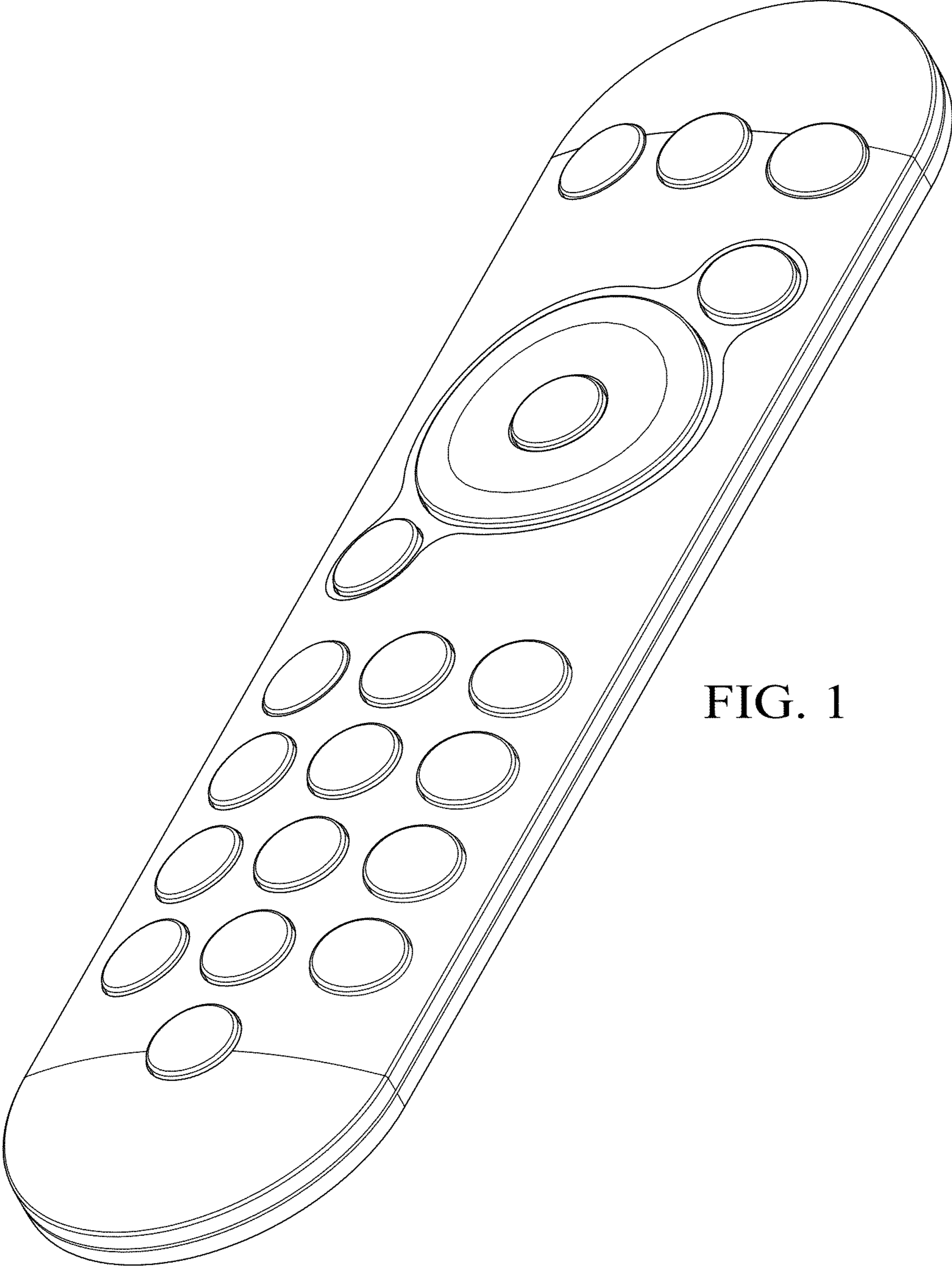


FIG. 1

FIG. 2

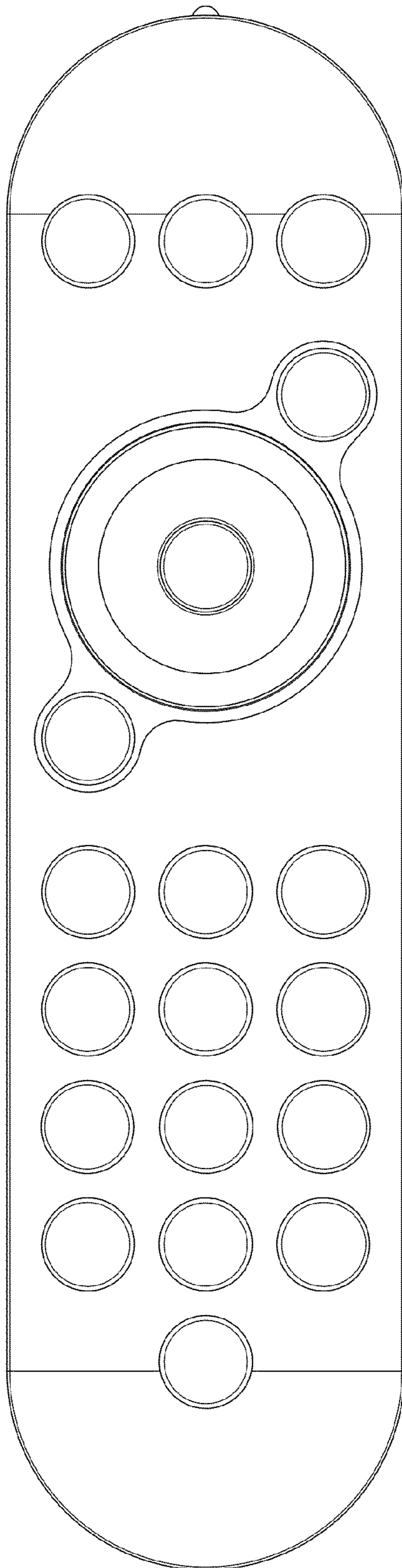


FIG. 3

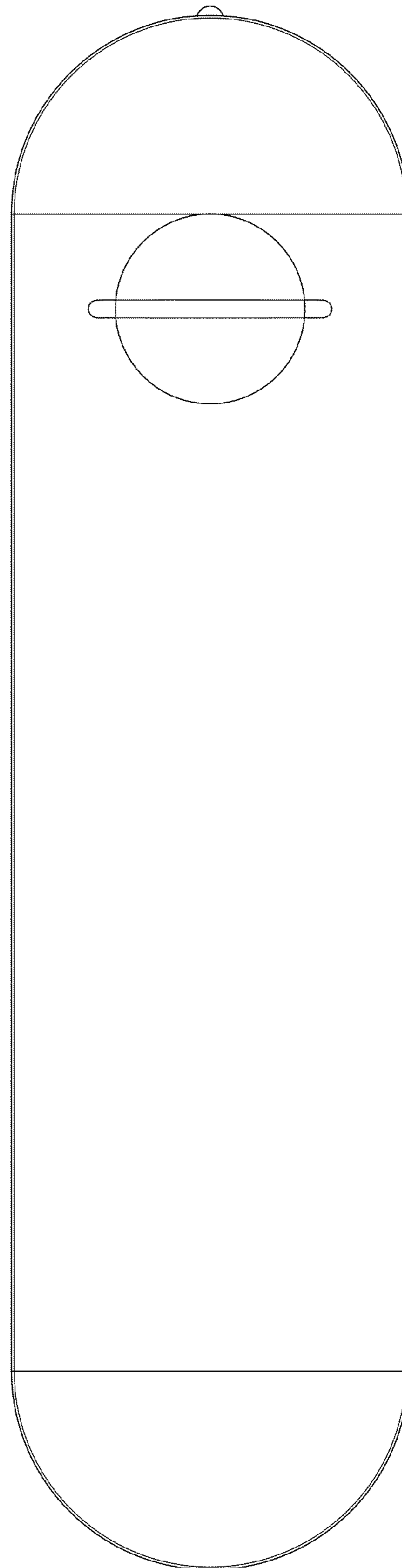


FIG. 4

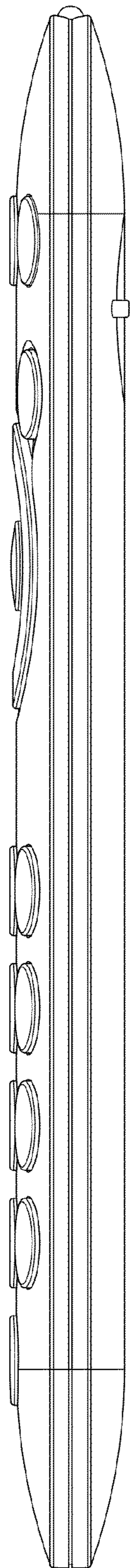
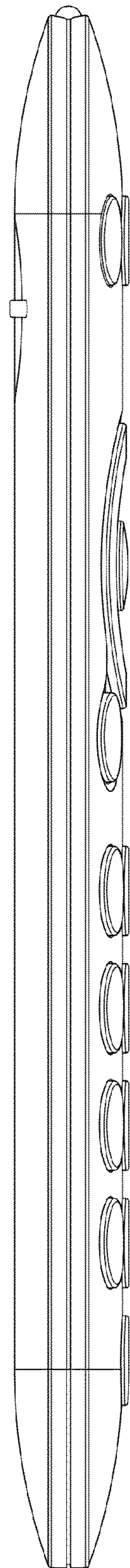


FIG. 5



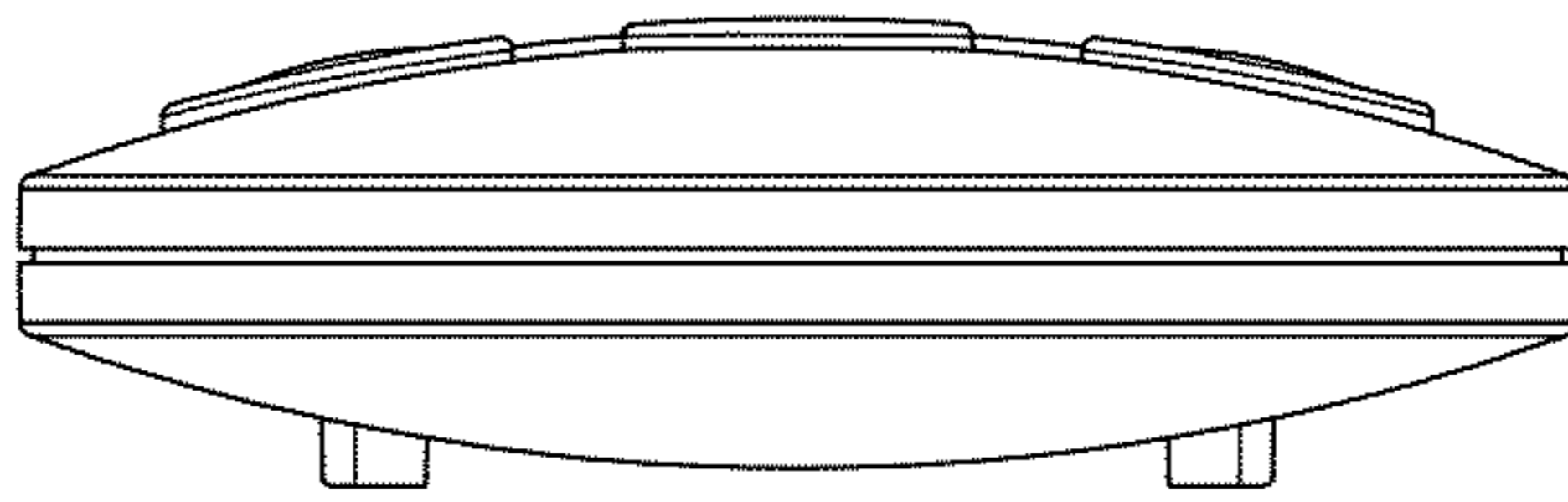


FIG. 6

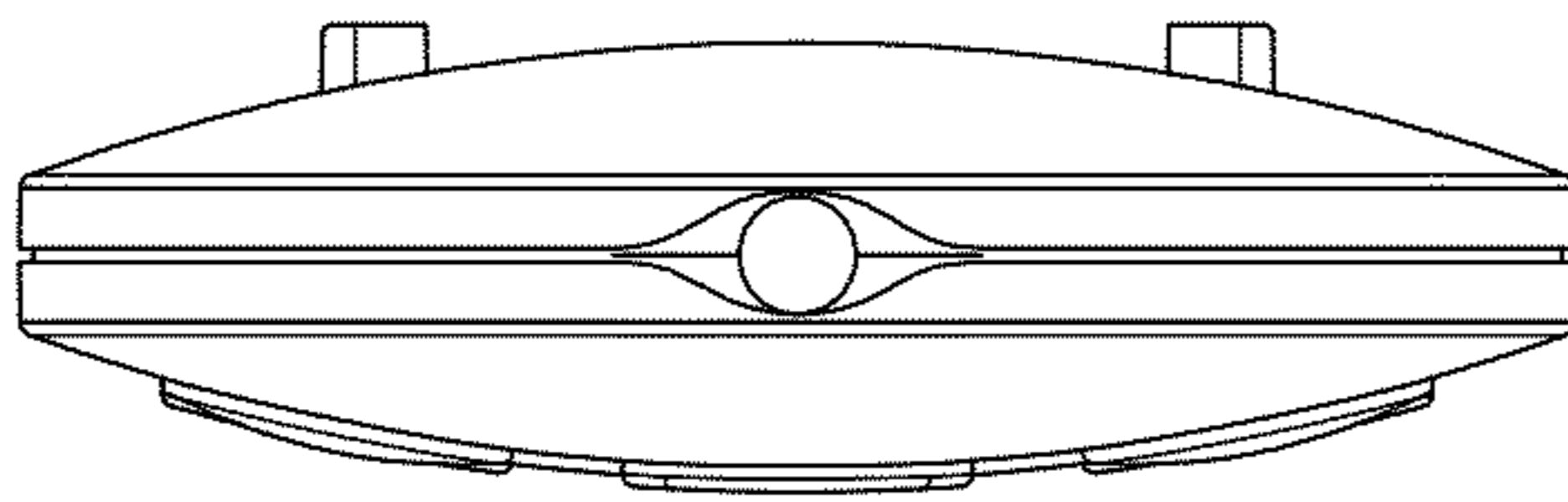


FIG. 7