



US00D695262S

(12) **United States Design Patent**
Starck

(10) **Patent No.:** **US D695,262 S**

(45) **Date of Patent:** **** Dec. 10, 2013**

(54) **HEADSET**

(76) Inventor: **Philippe Starck, Paris (FR)**

(**) Term: **14 Years**

(21) Appl. No.: **29/428,393**

(22) Filed: **Jul. 30, 2012**

(30) **Foreign Application Priority Data**

Feb. 1, 2012 (EM) 001984469-0001

(51) **LOC (9) Cl.** **14-01**

(52) **U.S. Cl.**
USPC **D14/205**

(58) **Field of Classification Search**

USPC D14/205, 188, 192; D29/112; 2/209;
181/129, 130, 135; 379/430, 431;
381/380, 381, 370, 371, 374, 378, 379,
381/383; 455/90.3, 575.1

See application file for complete search history.

(56) **References Cited**

U.S. PATENT DOCUMENTS

4,404,434 A * 9/1983 Pelt et al. 381/383
4,517,418 A * 5/1985 Baran et al. 381/378
5,293,647 A * 3/1994 Mirmilshiteyn et al. 2/209
D373,360 S * 9/1996 Kanno D14/205
D399,206 S * 10/1998 Yasutomi et al. D14/205
D453,015 S * 1/2002 Yuyama D14/205
6,385,325 B1 * 5/2002 Nageno et al. 381/374
D504,414 S * 4/2005 Yoshida D14/192

D512,983 S * 12/2005 Tachikawa D14/205
D538,269 S * 3/2007 Tragatschnig D14/223
D540,302 S * 4/2007 Hagiwara et al. D14/205
7,580,539 B2 * 8/2009 Tachikawa 381/374
7,720,246 B2 * 5/2010 Wang et al. 381/383
D625,705 S * 10/2010 Ohori et al. D14/205
D658,156 S * 4/2012 Olodort et al. D14/205

* cited by examiner

Primary Examiner — Paula Greene

(74) *Attorney, Agent, or Firm* — Blue Filament Law PLLC;
Avery N. Goldstein

(57) **CLAIM**

The ornamental design for a headset, as shown and described.

DESCRIPTION

FIG. 1 is a bottom view of an inventive headset with ear covers in supine positions;
FIG. 2 is a first perspective view of the inventive headset depicted in FIG. 1 with ear covers in supine positions;
FIG. 3 is a front view of the inventive exercise apparatus depicted in FIG. 1 with ear covers in supine positions;
FIG. 4 is a second perspective view of the inventive headset depicted in FIG. 1 with ear covers in opposing positions;
FIG. 5 is a third perspective view of the inventive headset depicted in FIG. 1 with ear covers in opposing positions;
FIG. 6 is a right side view of the inventive headset depicted in FIG. 1, where the left side view is a mirror image of that shown in FIG. 6; and,
FIG. 7 is a fourth perspective view of the inventive headset depicted in FIG. 1 with ear covers in supine positions.

1 Claim, 3 Drawing Sheets

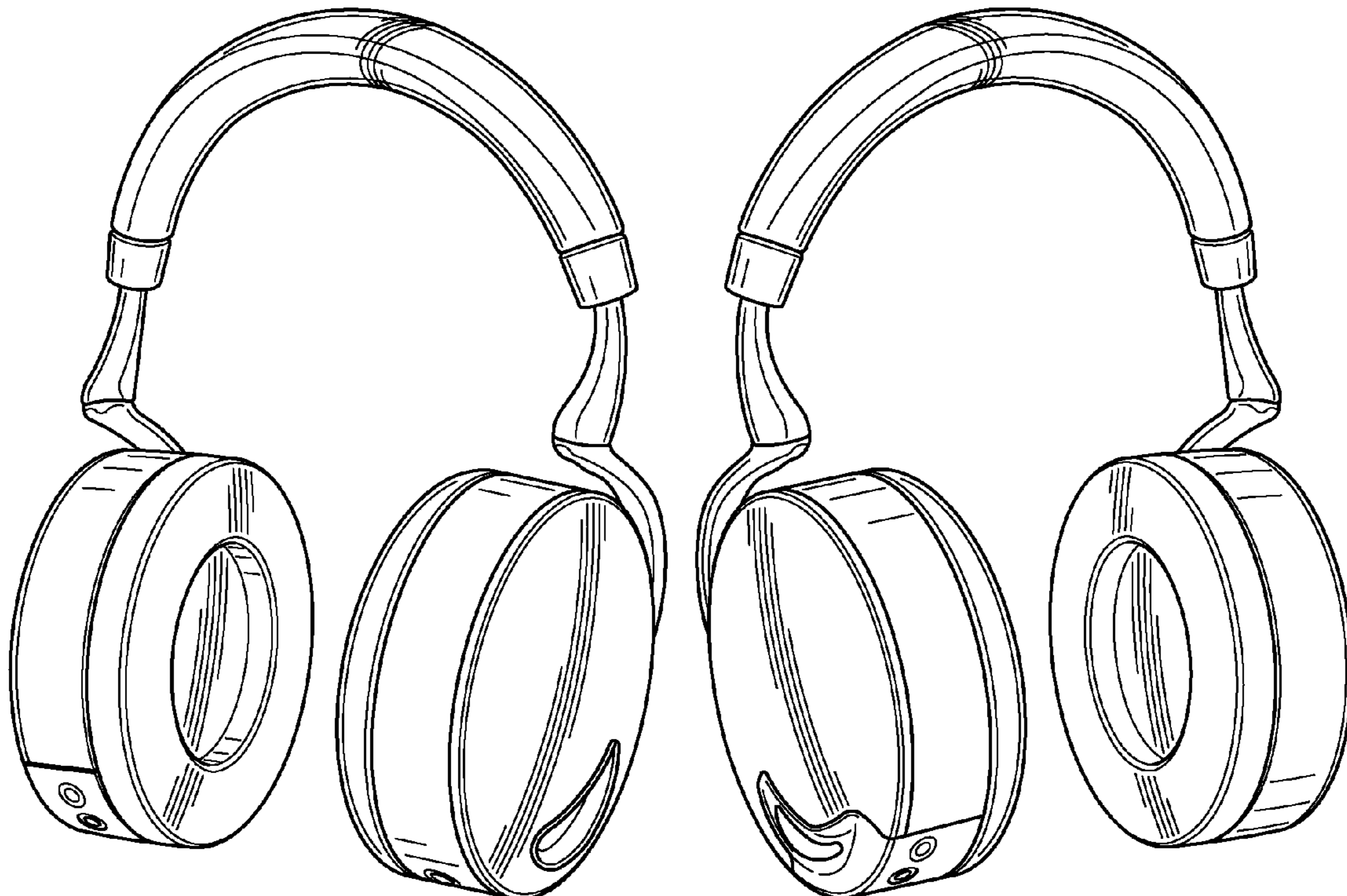




FIG. 1



FIG. 2

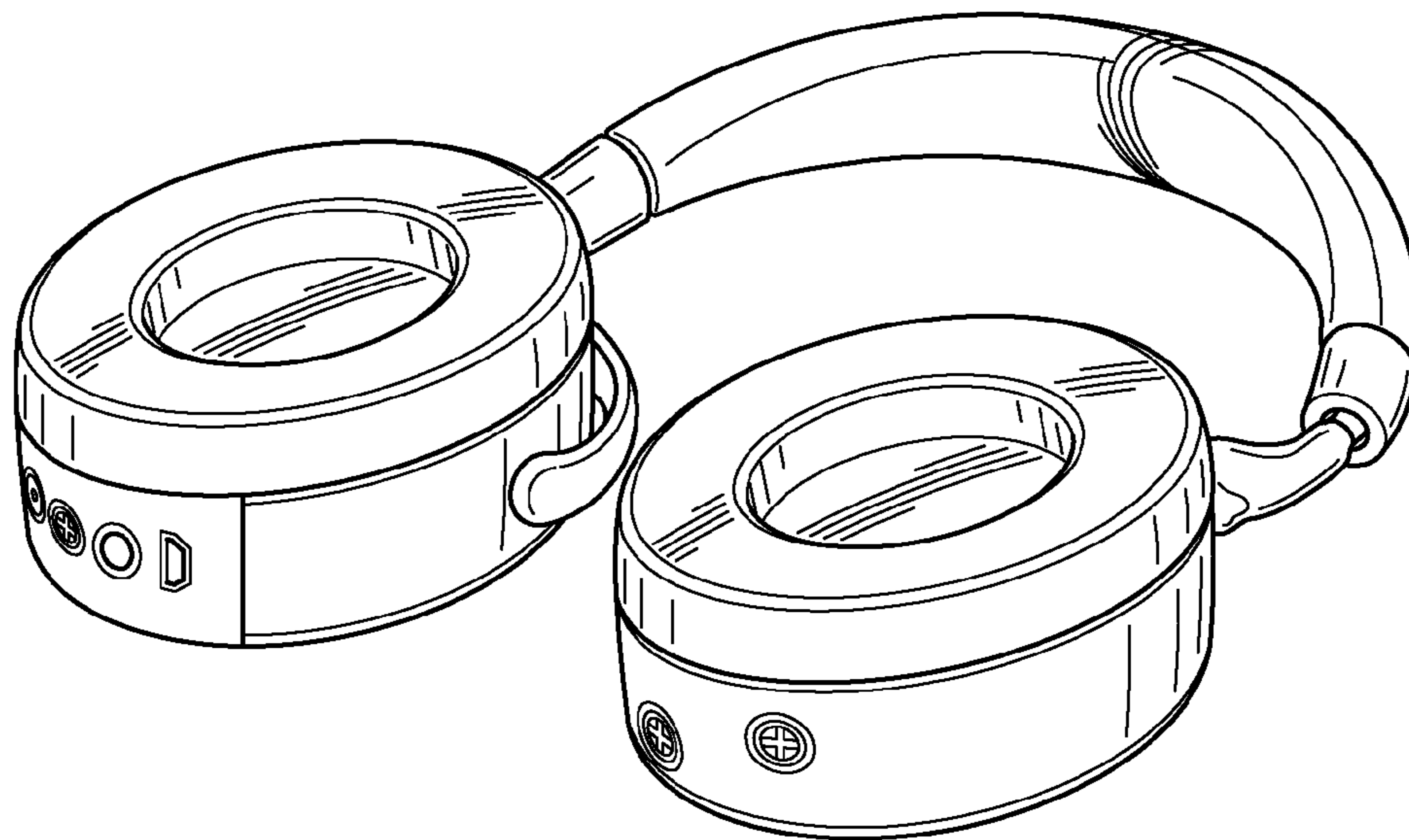


FIG. 3

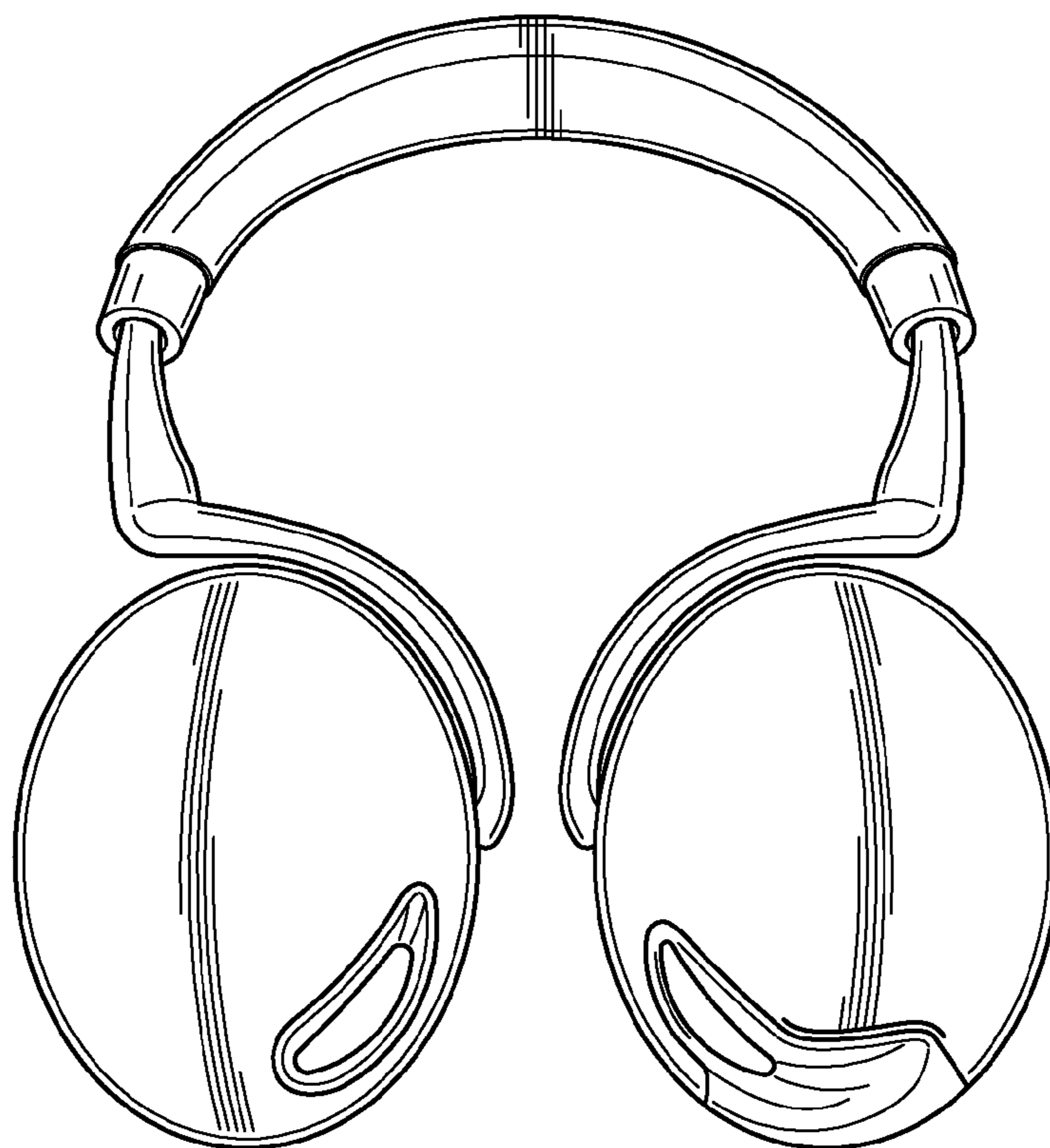


FIG. 4

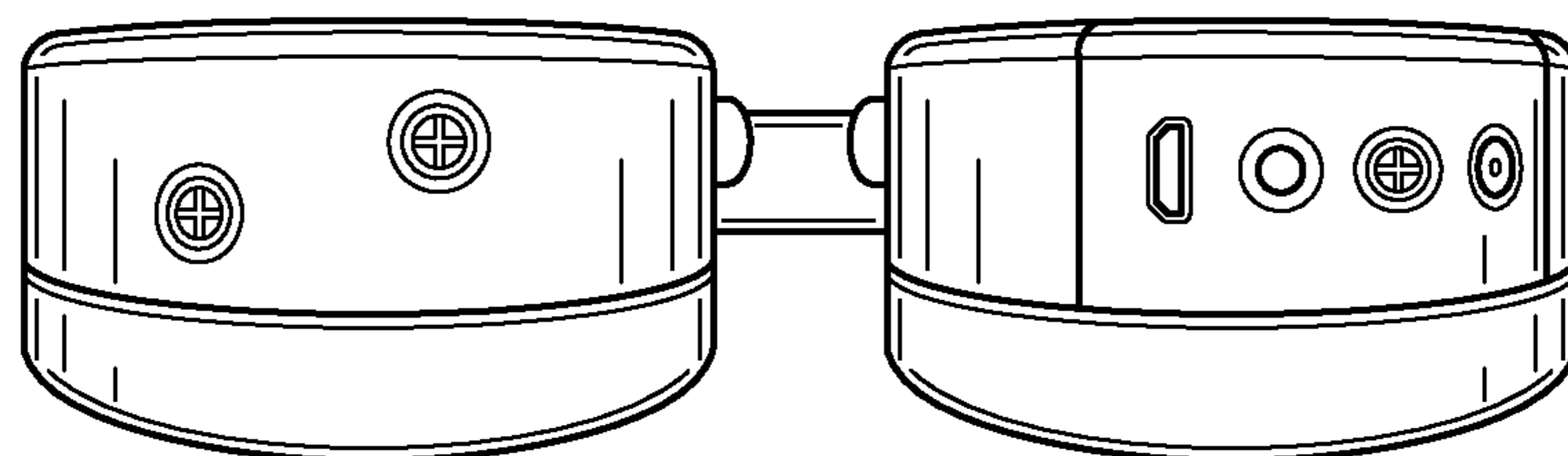


FIG. 5

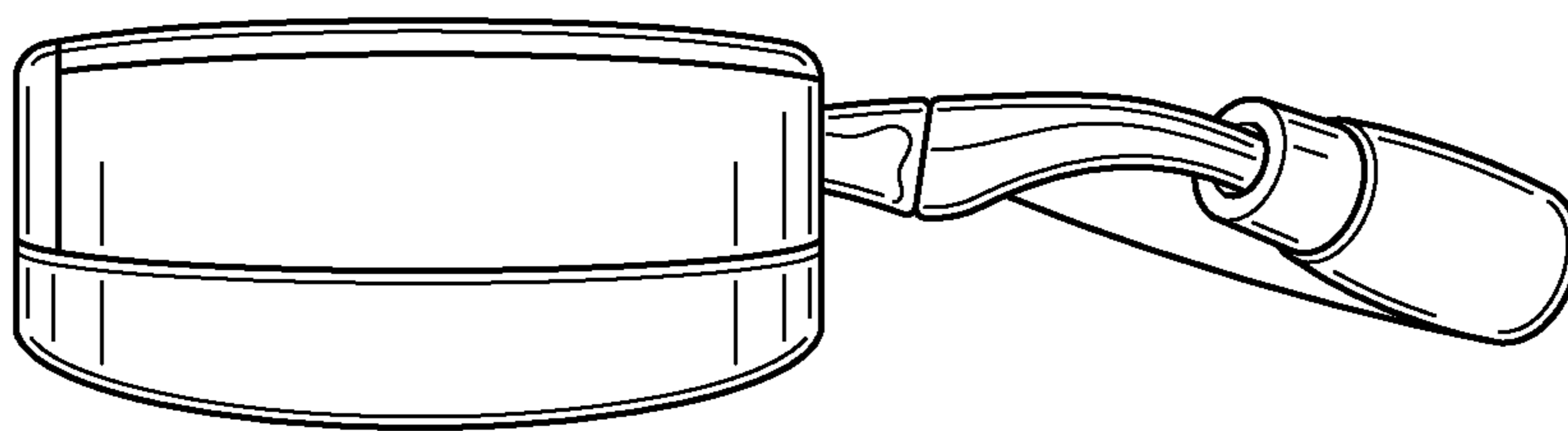


FIG. 6

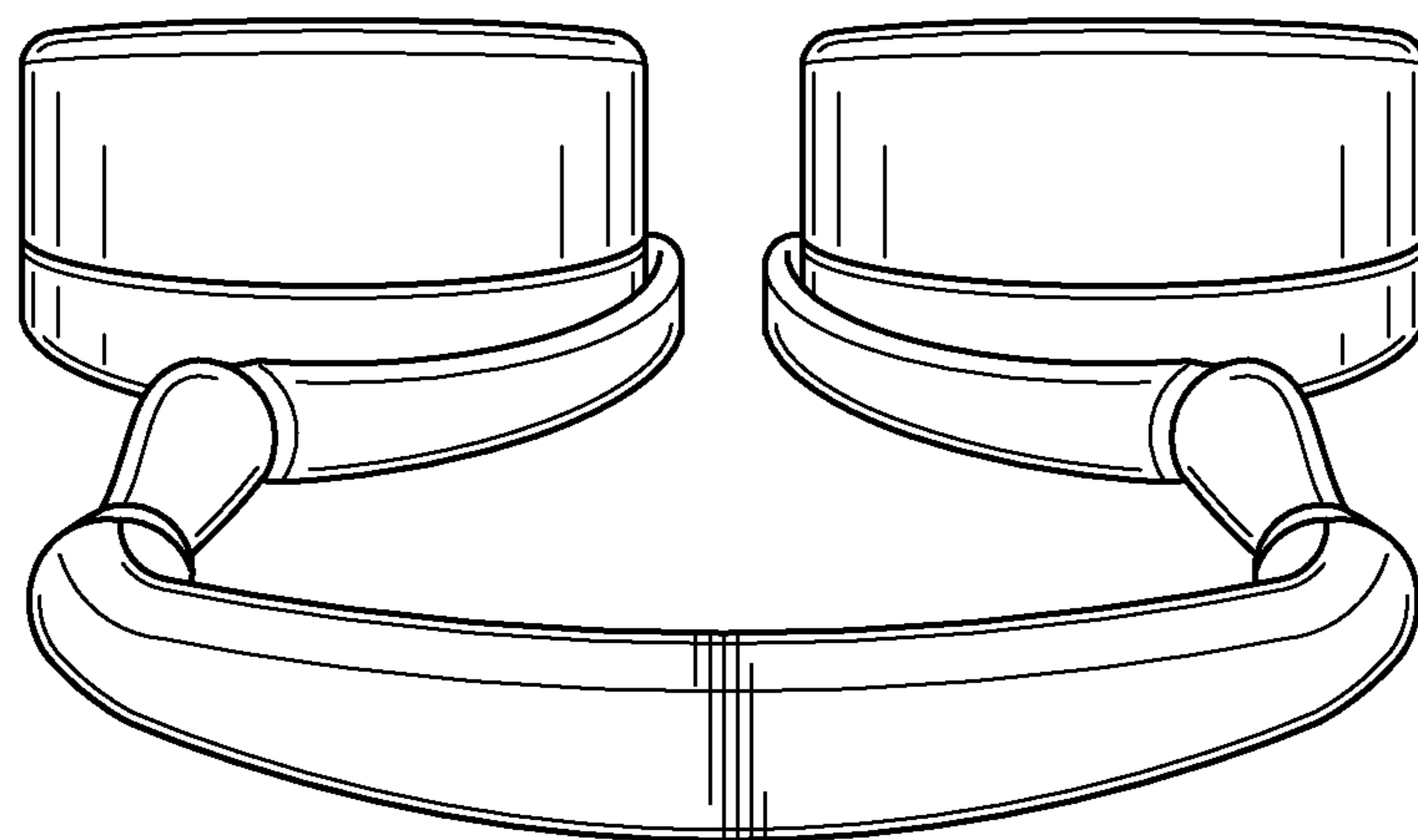


FIG. 7