



US00D695261S

(12) **United States Design Patent**
Katsumata

(10) **Patent No.:** **US D695,261 S**

(45) **Date of Patent:** **** Dec. 10, 2013**

(54) **HEADPHONE**

(75) Inventor: **Kenji Katsumata**, Tokyo (JP)

(73) Assignee: **Sony Corporation**, Tokyo (JP)

(**) Term: **14 Years**

(21) Appl. No.: **29/421,495**

(22) Filed: **Aug. 1, 2012**

(30) **Foreign Application Priority Data**

Feb. 2, 2012 (CN) 2012 3 0020981

(51) **LOC (9) Cl.** **14-01**

(52) **U.S. Cl.**
USPC **D14/205**

(58) **Field of Classification Search**

USPC D14/205, 206; 181/129, 130, 135;
379/430, 431; 381/380, 381; 455/90.3,
455/575.1; D29/112; 2/209

See application file for complete search history.

(56) **References Cited**

U.S. PATENT DOCUMENTS

3,505,684 A * 4/1970 Hutchinson et al. 2/209
3,815,155 A * 6/1974 Davison et al. 2/209
D246,519 S * 11/1977 Kato D14/205
D321,879 S * 11/1991 Emmerling D14/192
D323,043 S * 1/1992 Lofton D29/112

(Continued)

FOREIGN PATENT DOCUMENTS

JP D1337863 S 8/2008
JP D1366080 S 8/2009
JP D1411701 S 4/2011

Primary Examiner — Paula Greene

(74) *Attorney, Agent, or Firm* — Rader, Fishman & Grauer
PLLC

(57) **CLAIM**

The ornamental design for a headphone, as shown and described.

DESCRIPTION

FIG. 1 is a perspective view of a first embodiment of a headphone showing my new design;

FIG. 2 is a front elevational view thereof;

FIG. 3 is a rear elevational view thereof;

FIG. 4 is a left side elevational view thereof;

FIG. 5 is a right side elevational view thereof;

FIG. 6 is a top plan view thereof; and

FIG. 7 is a bottom plan view thereof.

FIG. 8 is a perspective view of a second embodiment of a headphone showing my new design;

FIG. 9 is a front elevational view thereof;

FIG. 10 is a rear elevational view thereof;

FIG. 11 is a left side elevational view thereof;

FIG. 12 is a right side elevational view thereof;

FIG. 13 is a top plan view thereof; and

FIG. 14 is a bottom plan view thereof.

FIG. 15 is a perspective view of a third embodiment of a headphone showing my new design;

FIG. 16 is a front elevational view thereof;

FIG. 17 is a rear elevational view thereof;

FIG. 18 is a left side elevational view thereof;

FIG. 19 is a right side elevational view thereof;

FIG. 20 is a top plan view thereof; and

FIG. 21 is a bottom plan view thereof.

FIG. 22 is a perspective view of a fourth embodiment of a headphone showing my new design;

FIG. 23 is a front elevational view thereof;

FIG. 24 is a rear elevational view thereof;

FIG. 25 is a left side elevational view thereof;

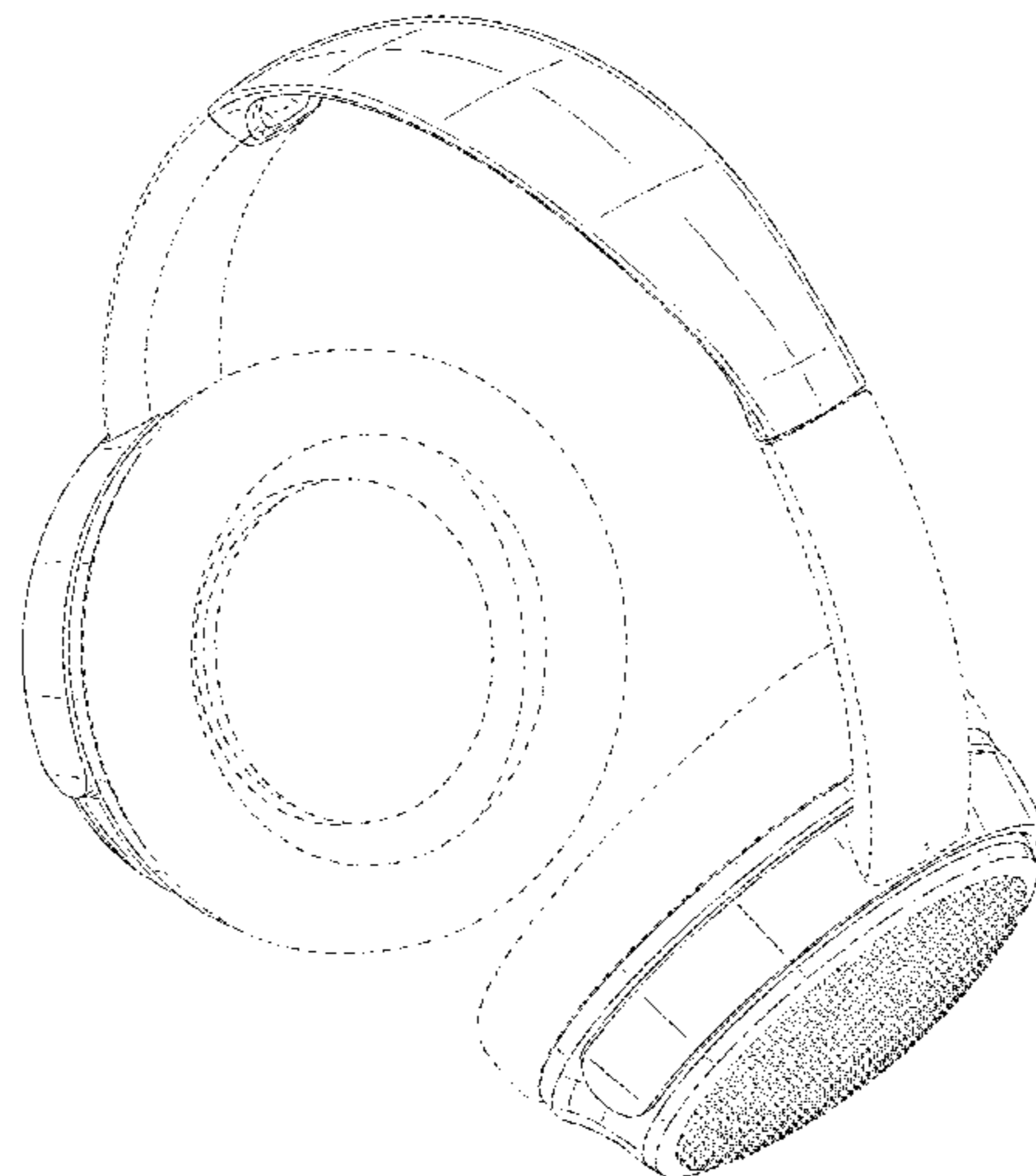
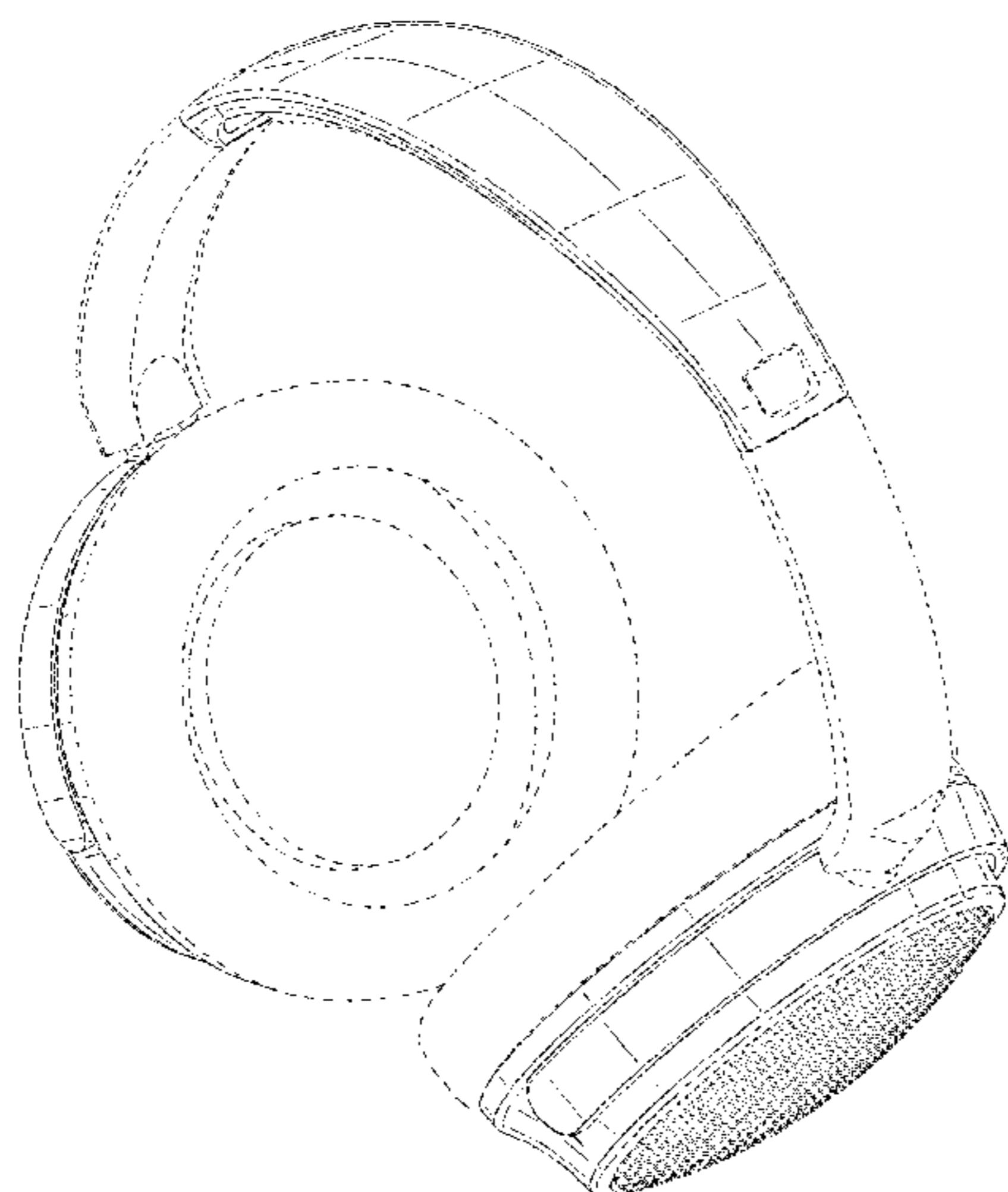
FIG. 26 is a right side elevational view thereof;

FIG. 27 is a top plan view thereof; and,

FIG. 28 is a bottom plan view thereof.

Portions shown as broken lines are for illustrative purposes only and form no part of the claimed design. Dot-dash broken lines define the boundaries of, but not included in, the claimed design.

1 Claim, 20 Drawing Sheets



(56)

References Cited

U.S. PATENT DOCUMENTS

D342,946 S *	1/1994	Hyogo	D14/192	D588,098 S *	3/2009	Kurihara	D14/205
5,551,090 A *	9/1996	Thompson	2/209	D594,847 S *	6/2009	Suzuki	D14/205
D410,466 S	6/1999	Mouri		D597,070 S *	7/2009	Zheng	D14/205
D420,356 S *	2/2000	Suzuki	D14/205	D603,370 S	11/2009	Suzuki	
6,081,604 A *	6/2000	Hikichi et al.	381/371	D625,705 S *	10/2010	Ohori et al.	D14/205
D435,249 S *	12/2000	Yasutomi	D14/205	D632,668 S *	2/2011	Brunner et al.	D14/205
D450,356 S	11/2001	Ling		D635,958 S *	4/2011	Ando et al.	D14/205
D468,722 S *	1/2003	Schmidt et al.	D14/205	7,920,903 B2 *	4/2011	Ueda et al.	455/575.1
D491,163 S *	6/2004	Green	D14/205	D637,579 S *	5/2011	Hamaura et al.	D14/205
D510,335 S *	10/2005	Suzuki	D14/205	D639,775 S *	6/2011	Horibe et al.	D14/205
7,172,052 B2 *	2/2007	Lenhard-Backhaus	181/129	D639,776 S *	6/2011	Arimoto	D14/205
D539,267 S *	3/2007	Komiyama	D14/205	8,098,872 B2 *	1/2012	Chang	381/371
D541,255 S *	4/2007	Taylor et al.	D14/205	D657,344 S *	4/2012	Brunner et al.	D14/205
D563,382 S *	3/2008	Wikel	D14/205	D661,685 S *	6/2012	Lee et al.	D14/205
D567,215 S	4/2008	Lee		D662,080 S *	6/2012	Carr et al.	D14/205
7,388,960 B2 *	6/2008	Kuo et al.	381/186	D664,113 S *	7/2012	Katsumata et al.	D14/205
D573,581 S *	7/2008	Gondo et al.	D14/205	D666,990 S *	9/2012	Komiyama et al.	D14/205
D581,394 S *	11/2008	Lee	D14/205	D669,450 S *	10/2012	Katsumata	D14/205
				D671,914 S *	12/2012	Lee et al.	D14/205
				D675,595 S *	2/2013	Cho et al.	D14/205
				D678,860 S *	3/2013	Hagelin	D14/205

* cited by examiner

FIG. 1

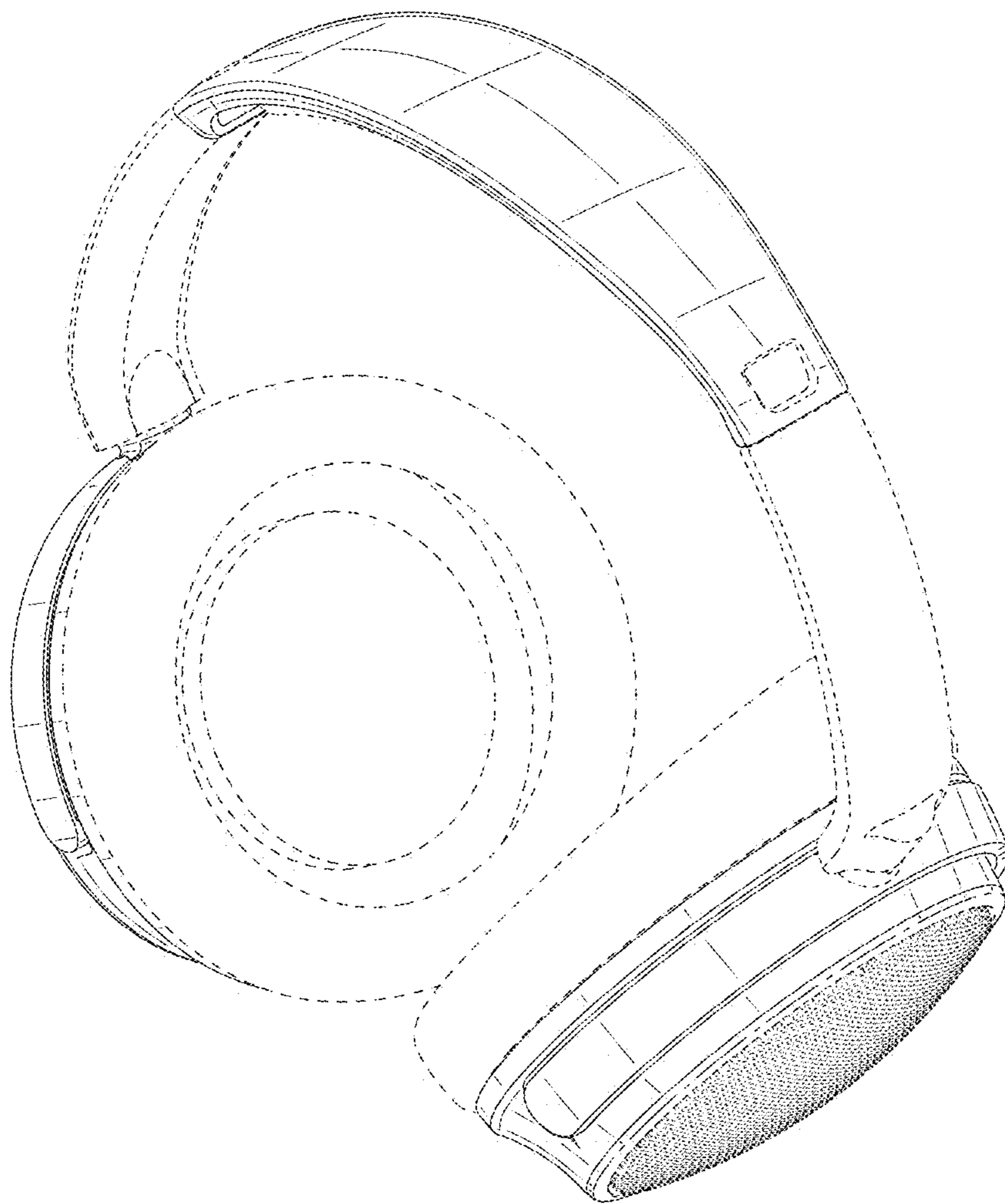


FIG.2

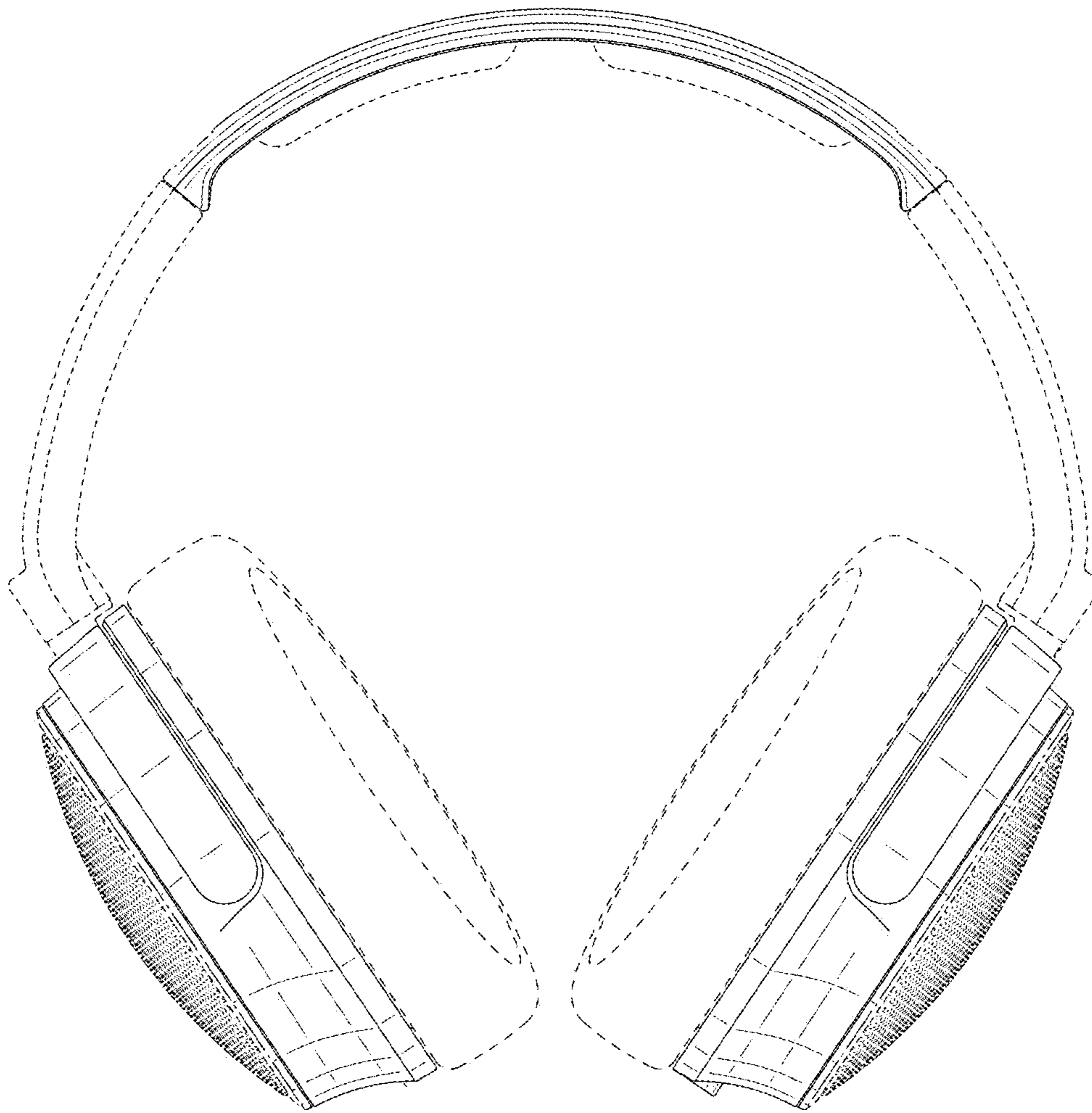


FIG.3

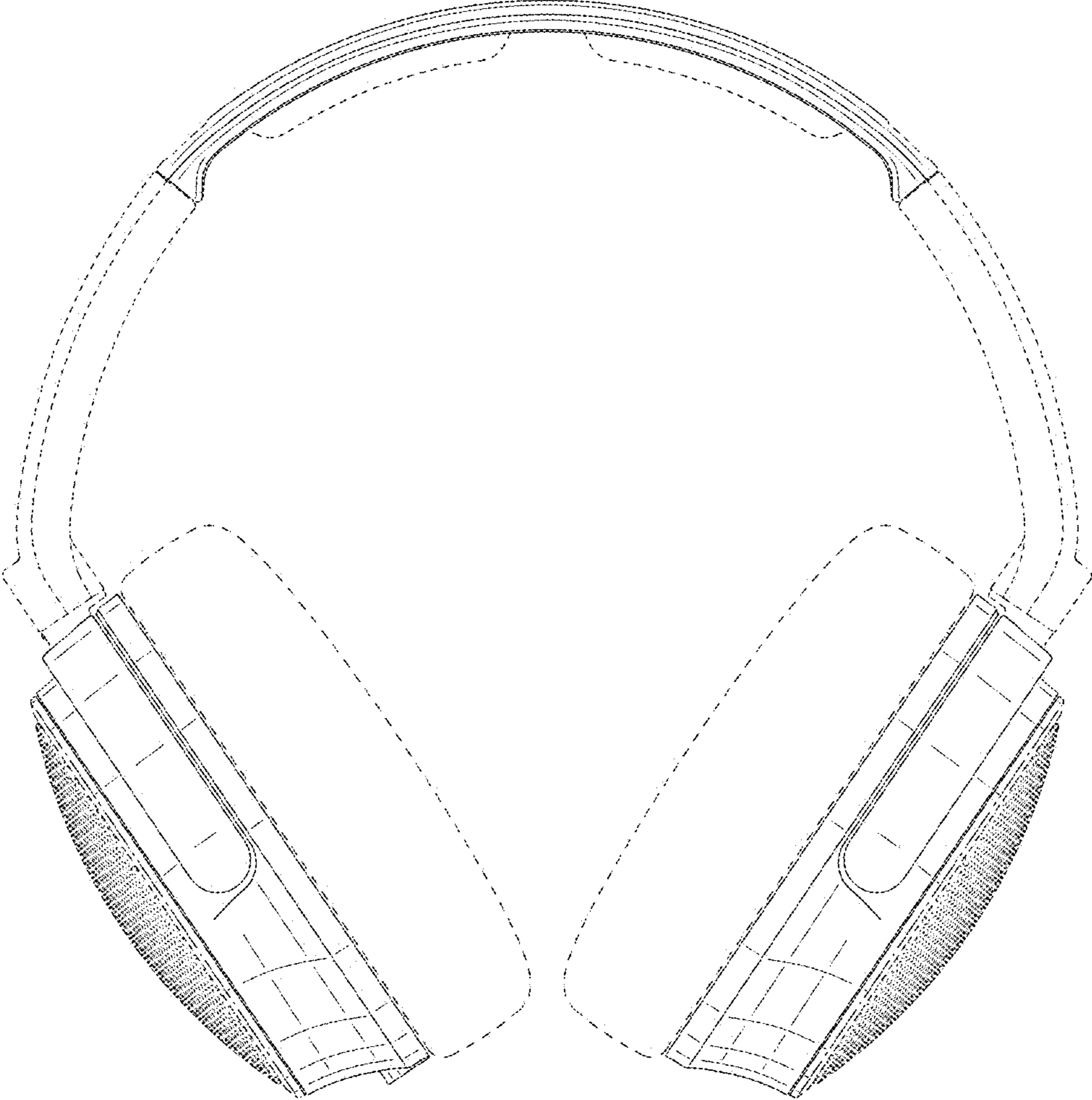


FIG.5

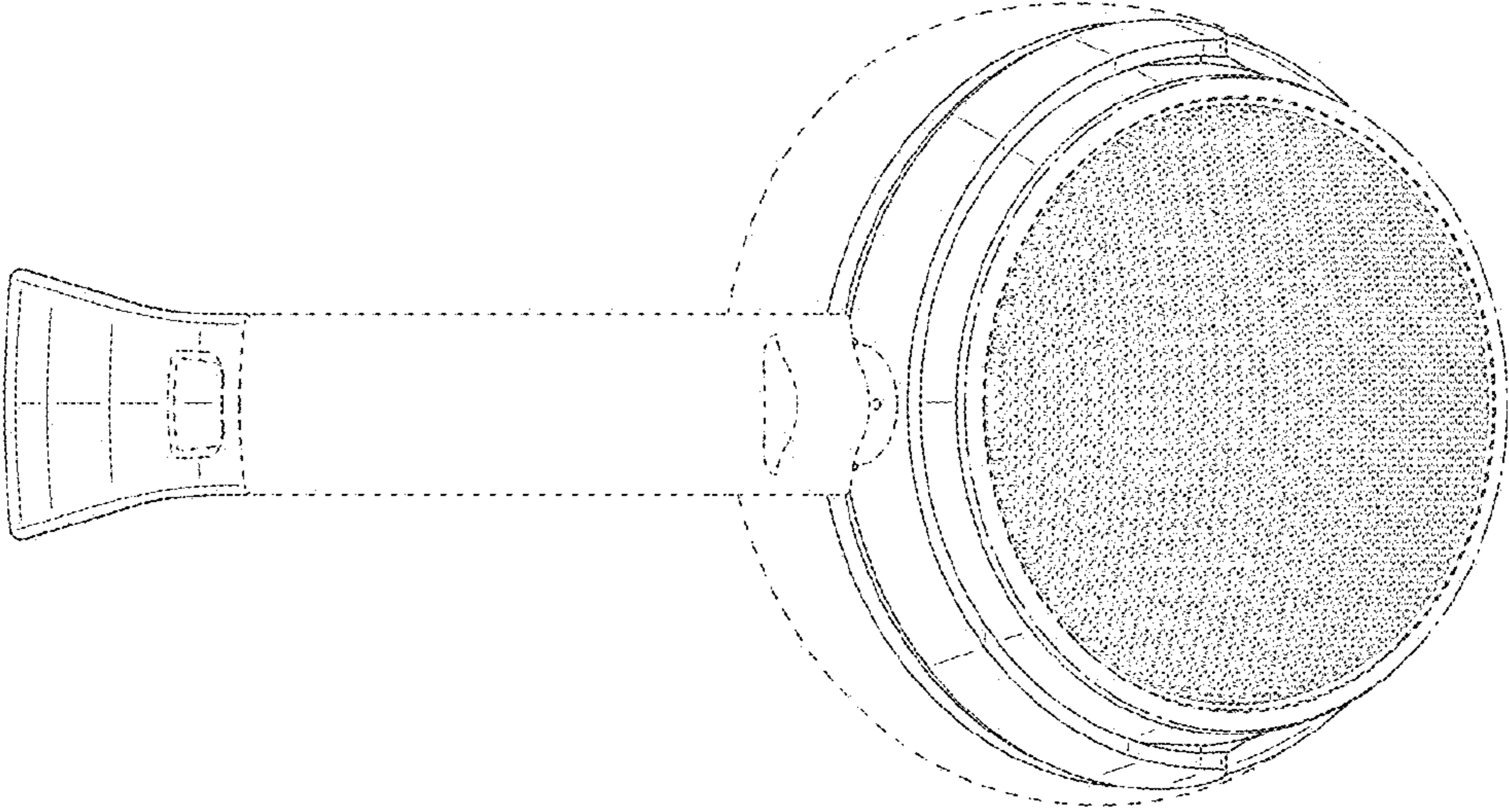


FIG.4

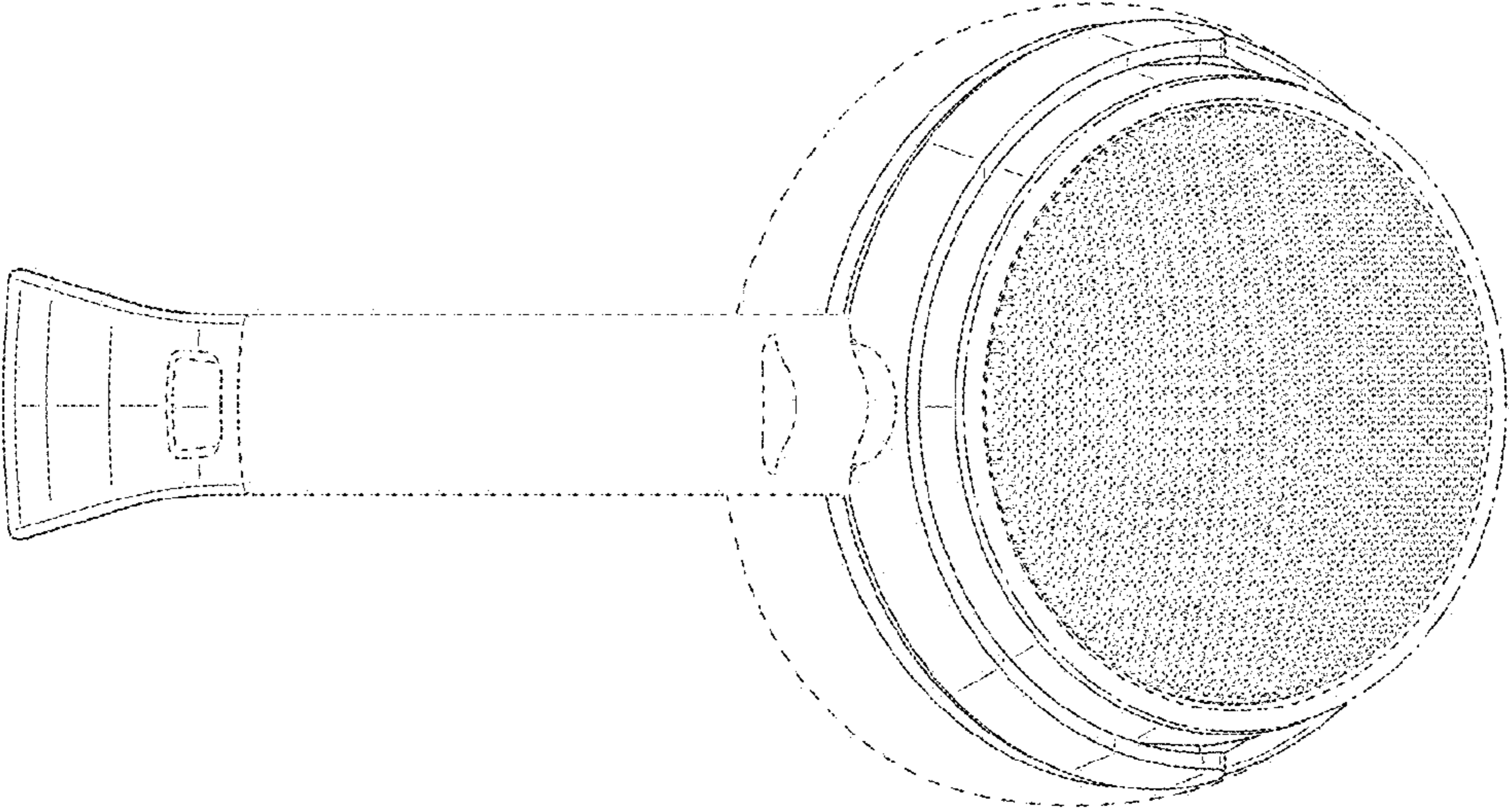


FIG.6

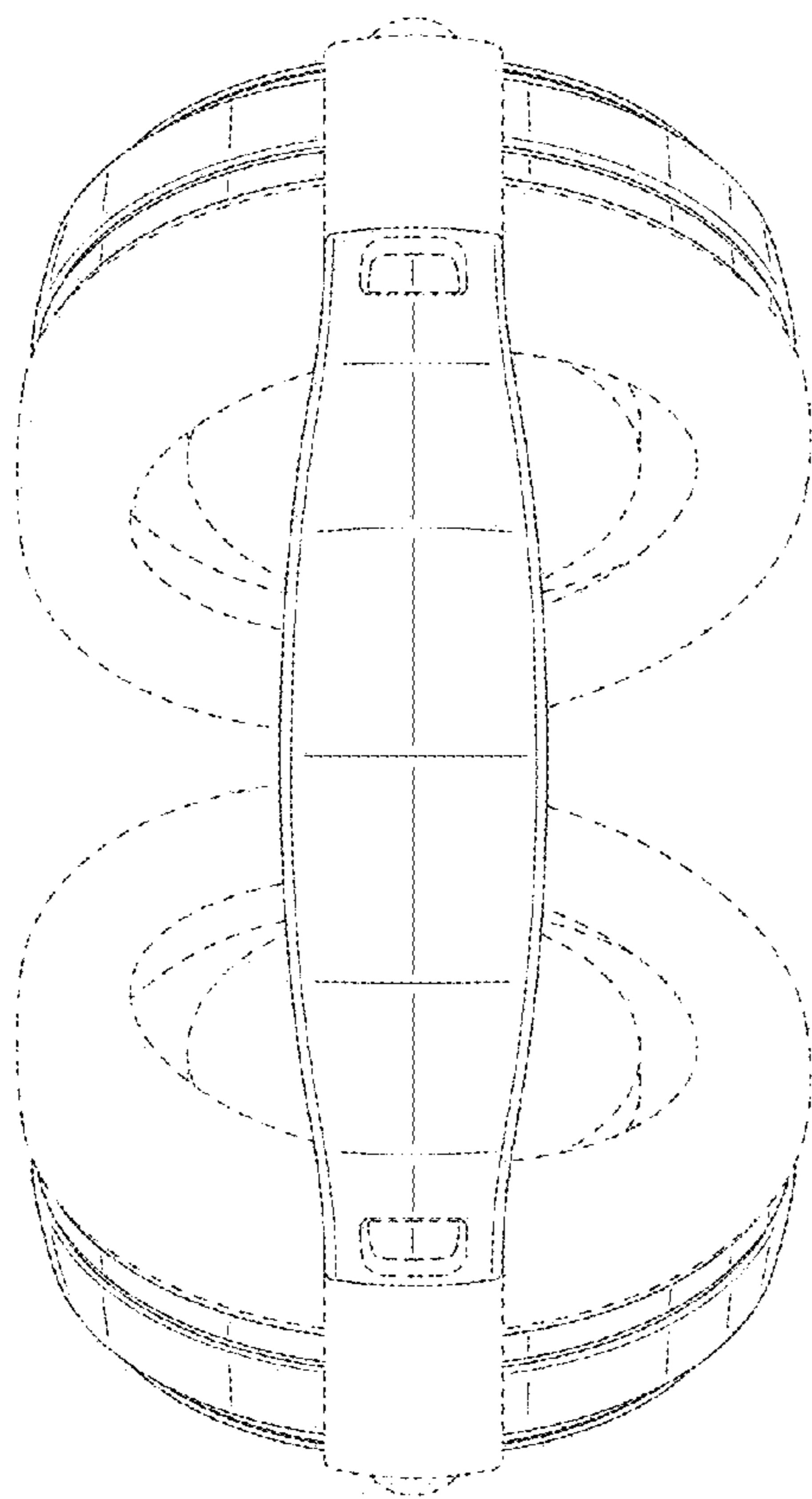


FIG.7

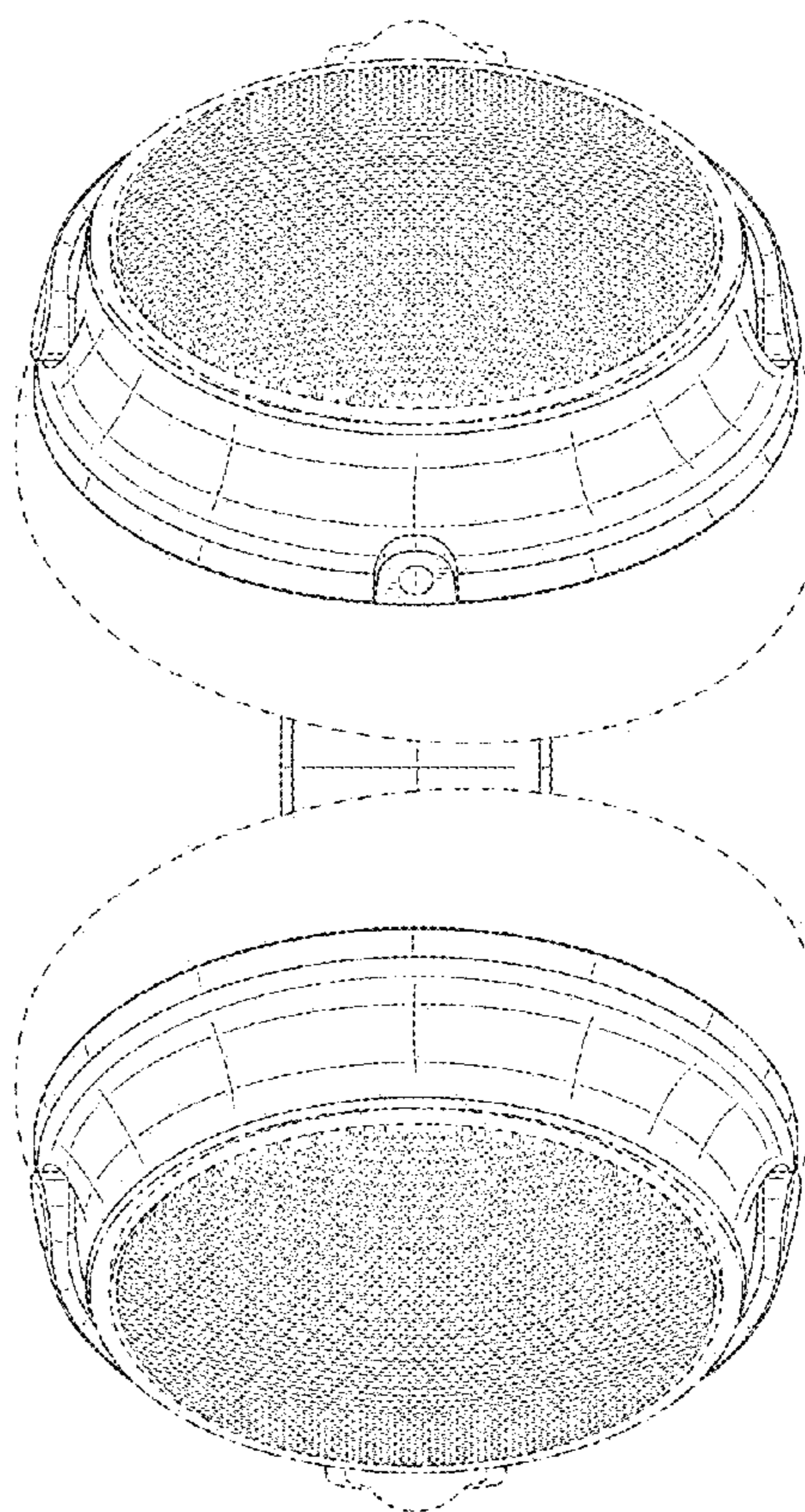


FIG.8

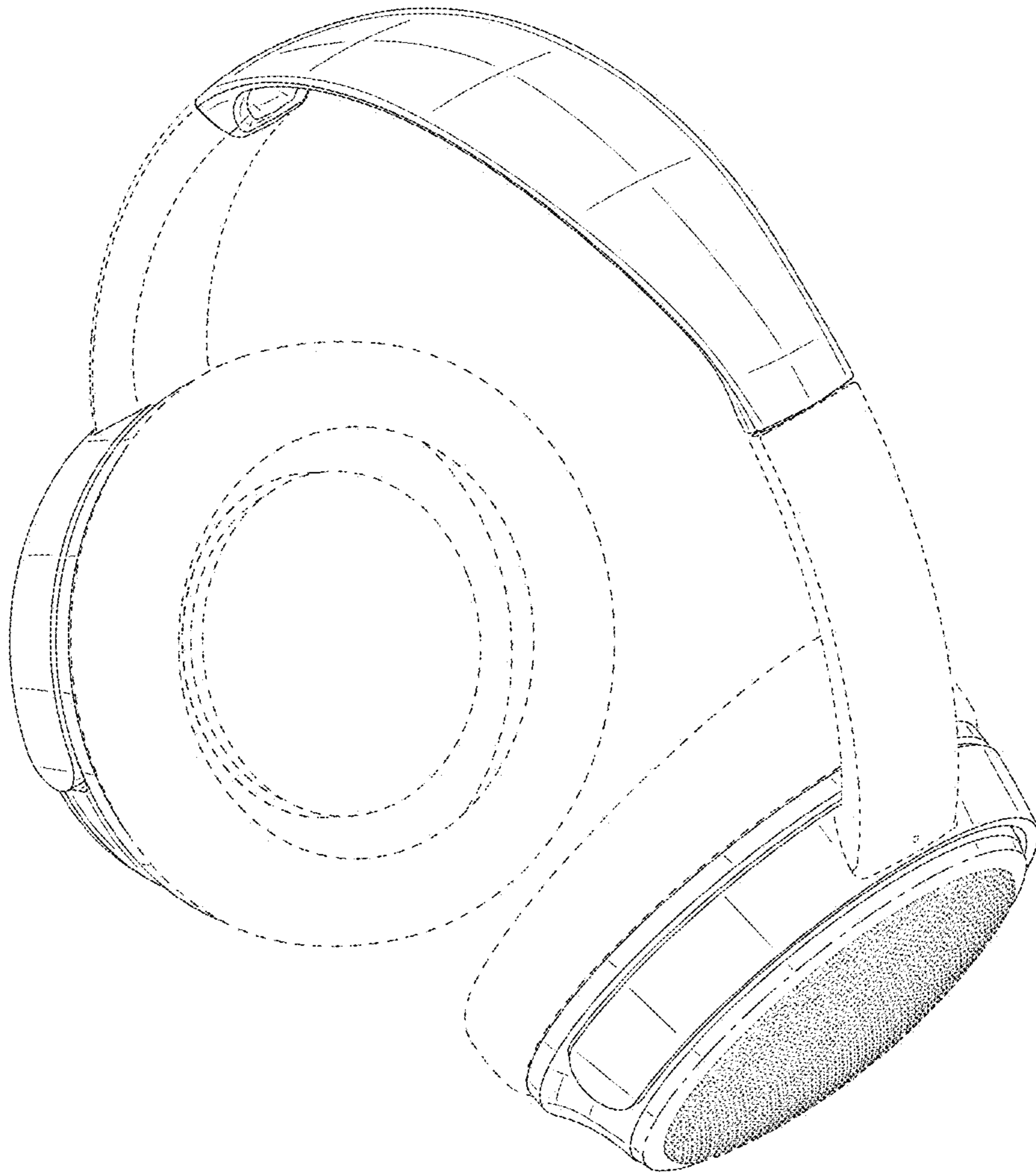


FIG.9

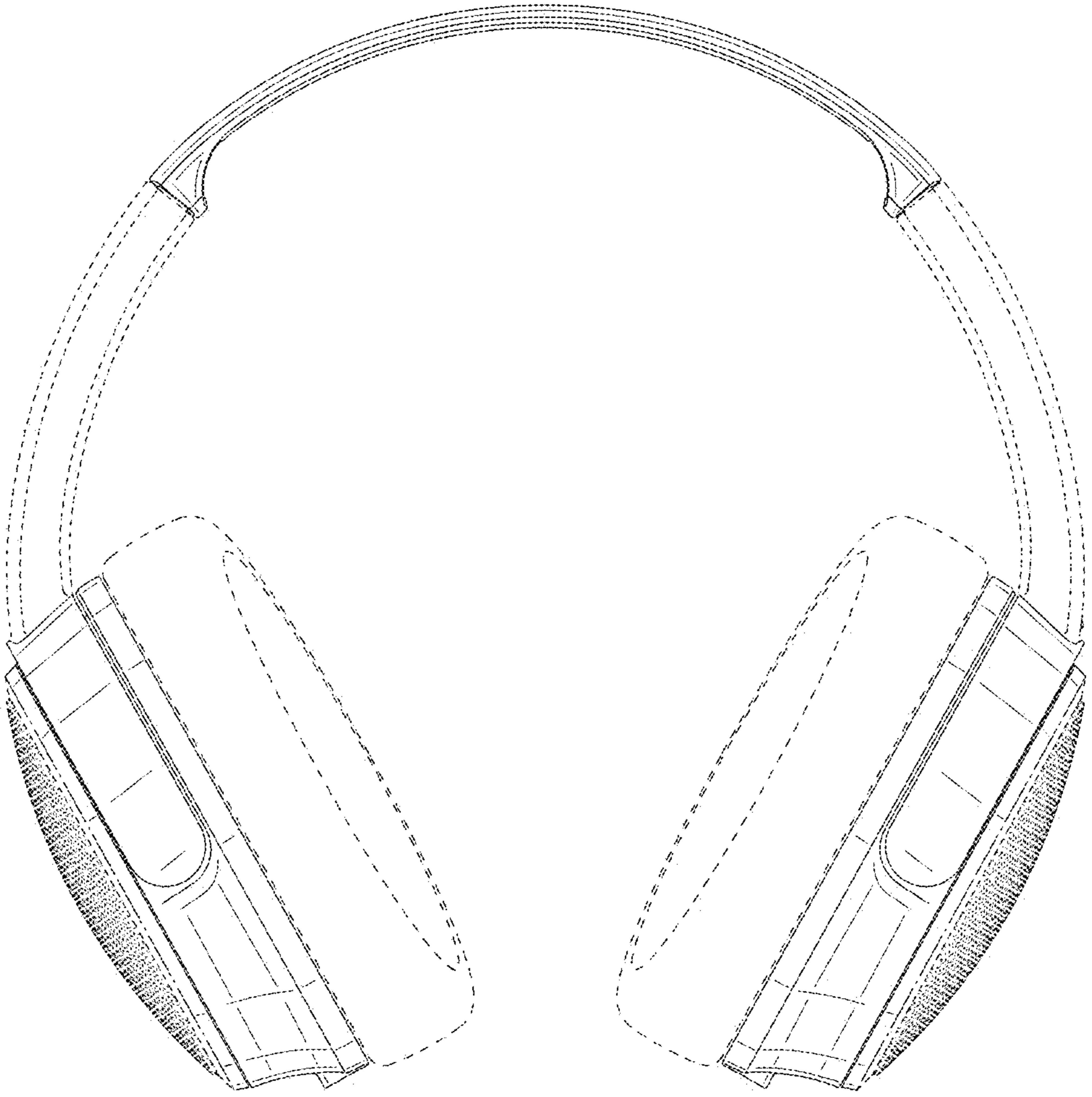


FIG.10



FIG.12

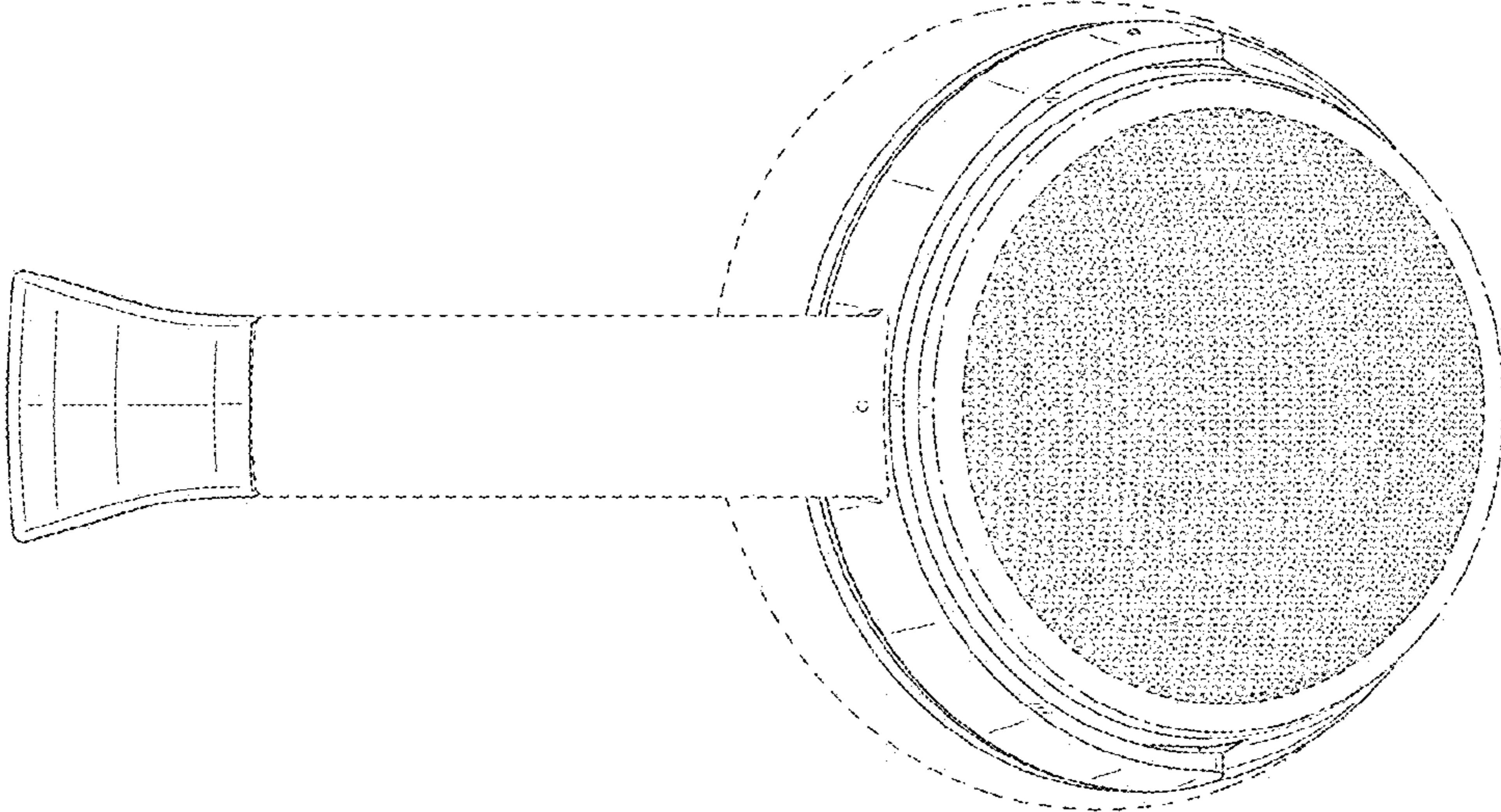


FIG.11

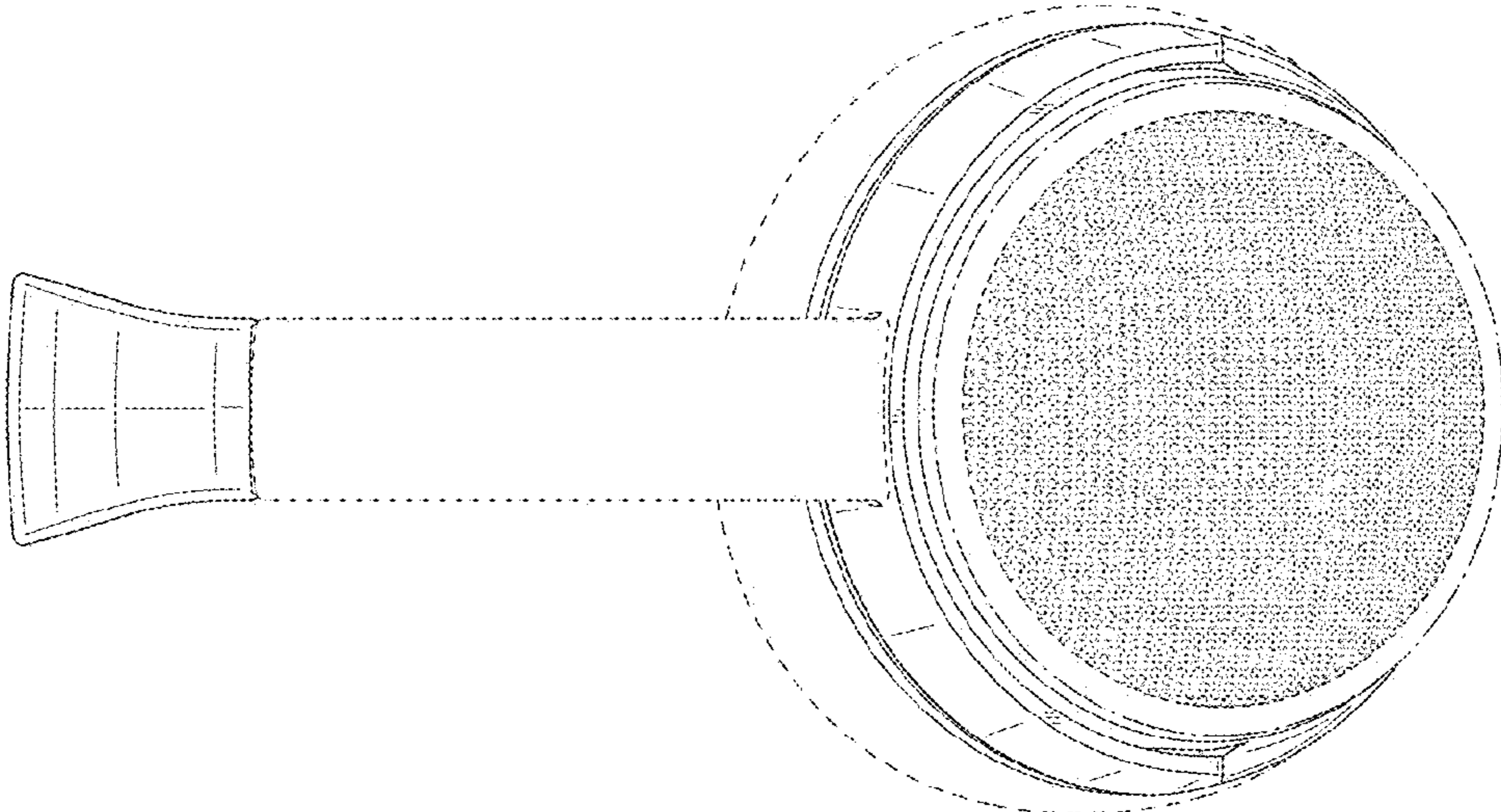


FIG.13

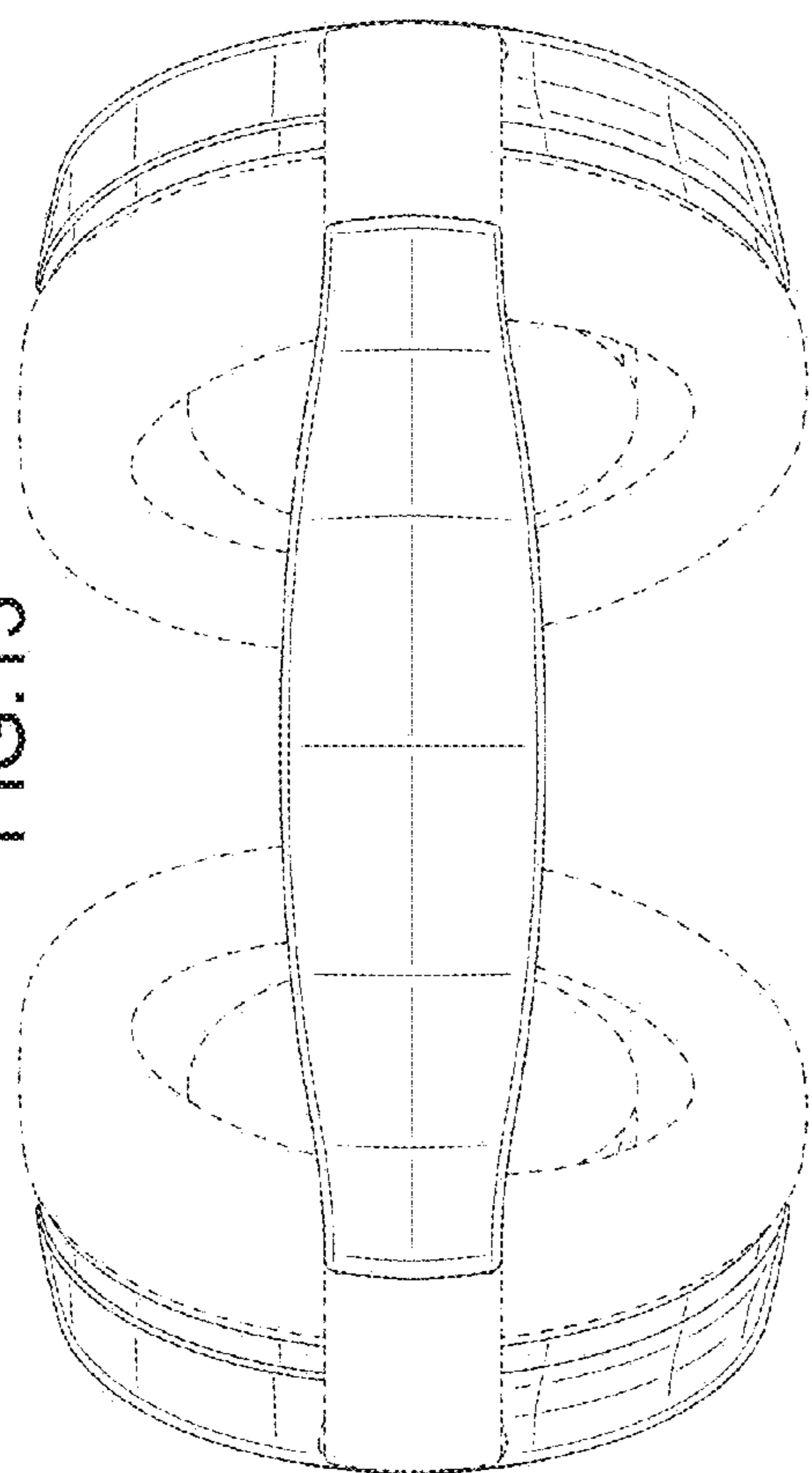


FIG.14

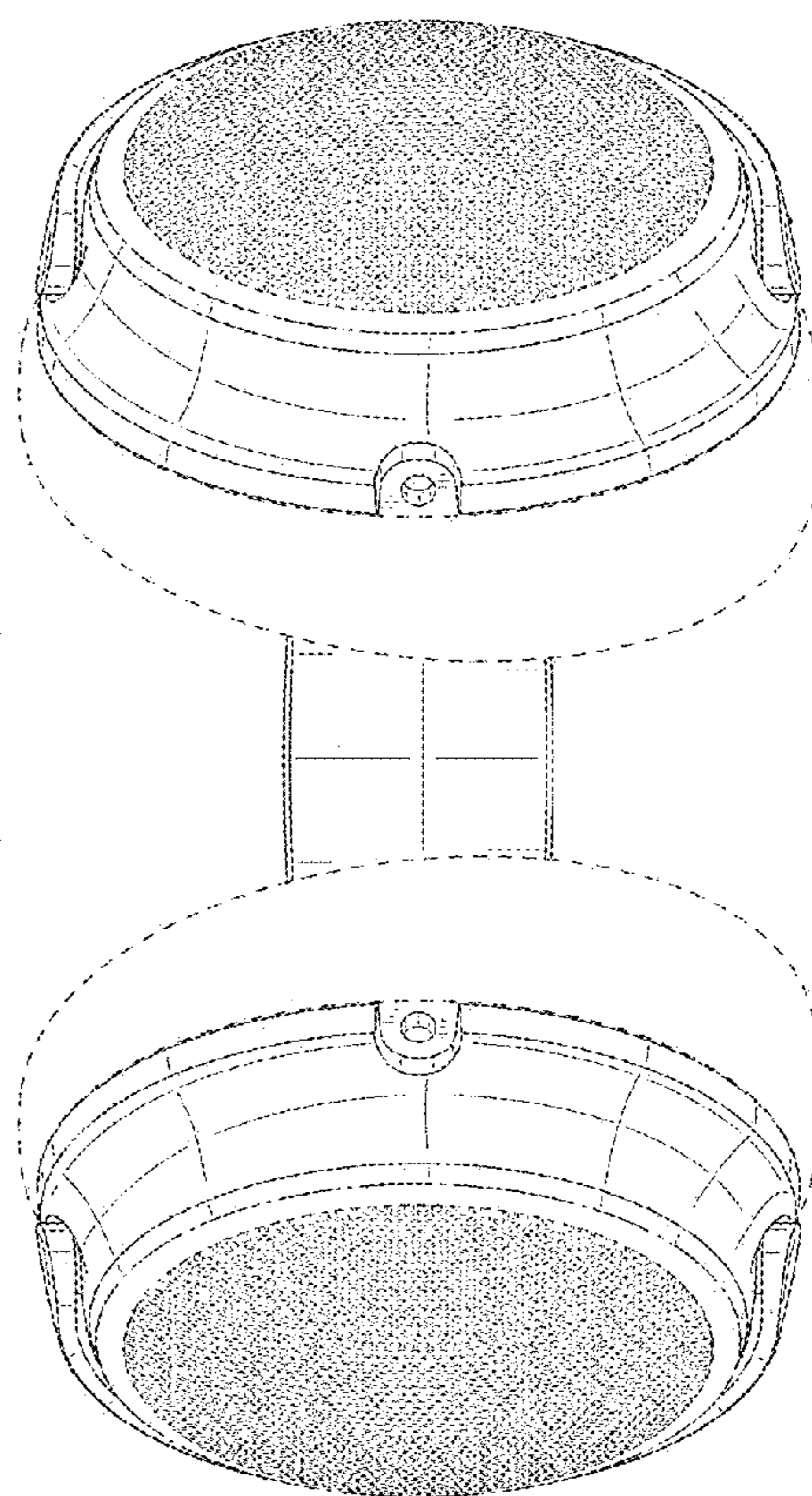


FIG.15

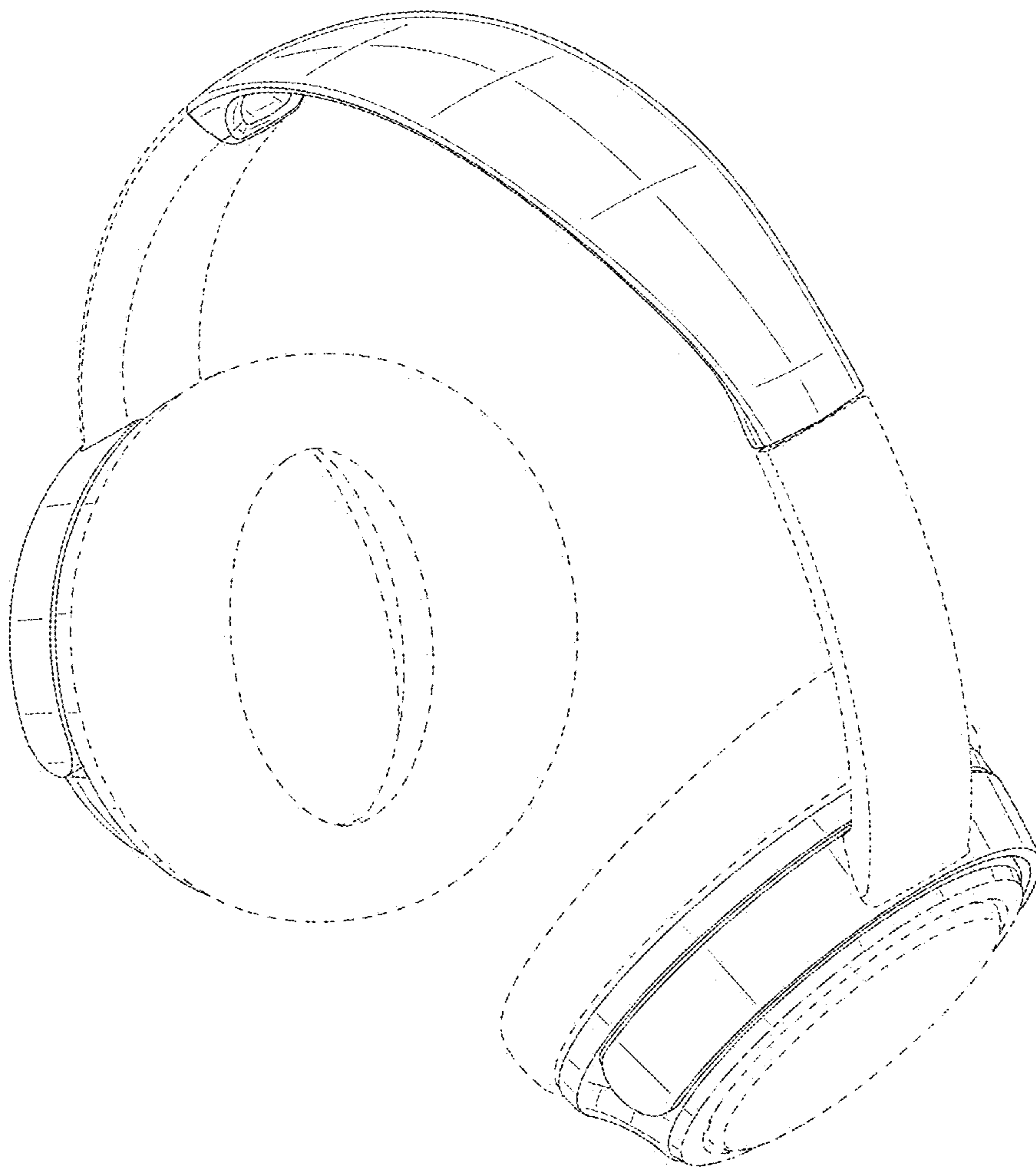


FIG. 16

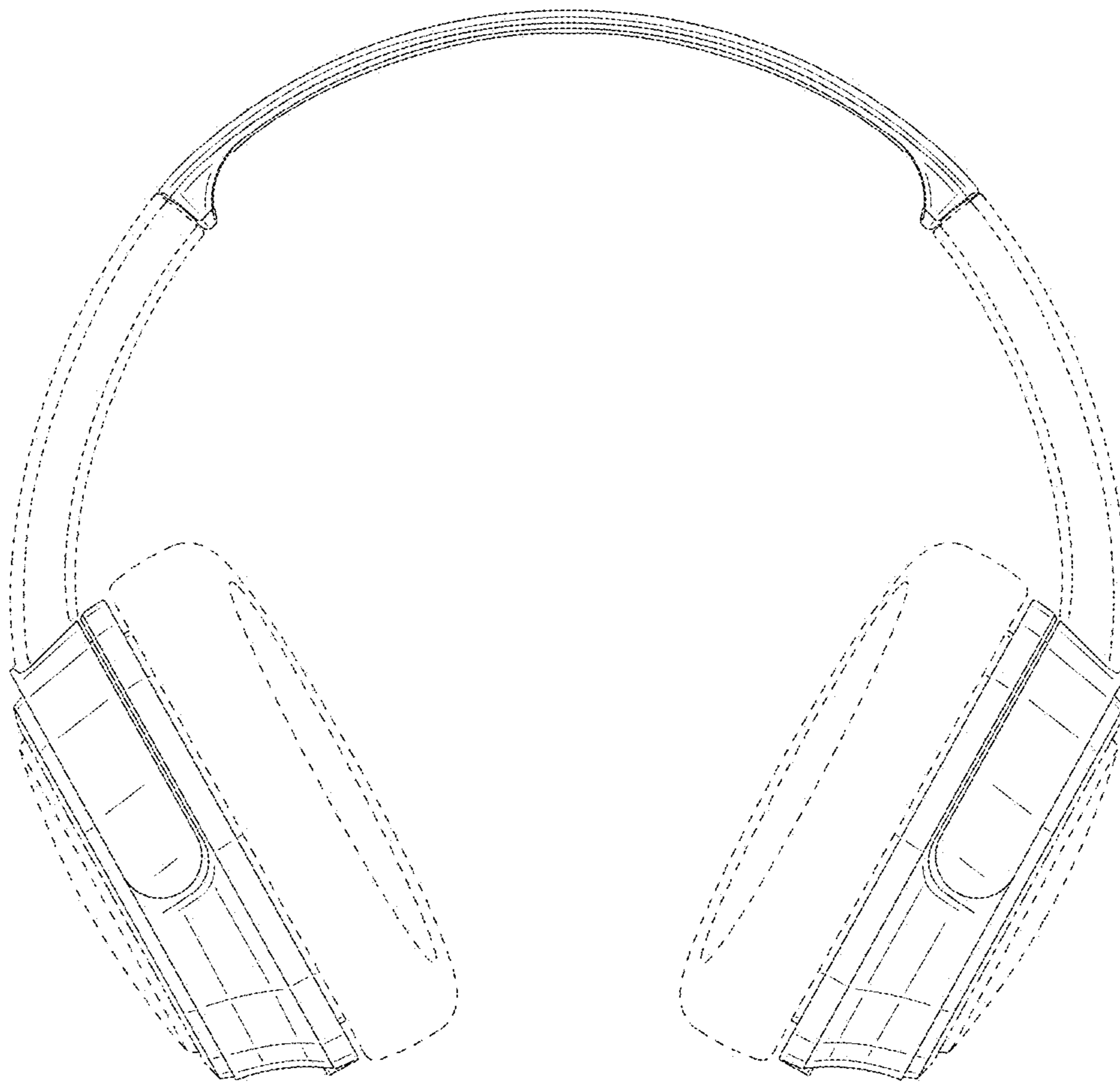


FIG.17



FIG.19

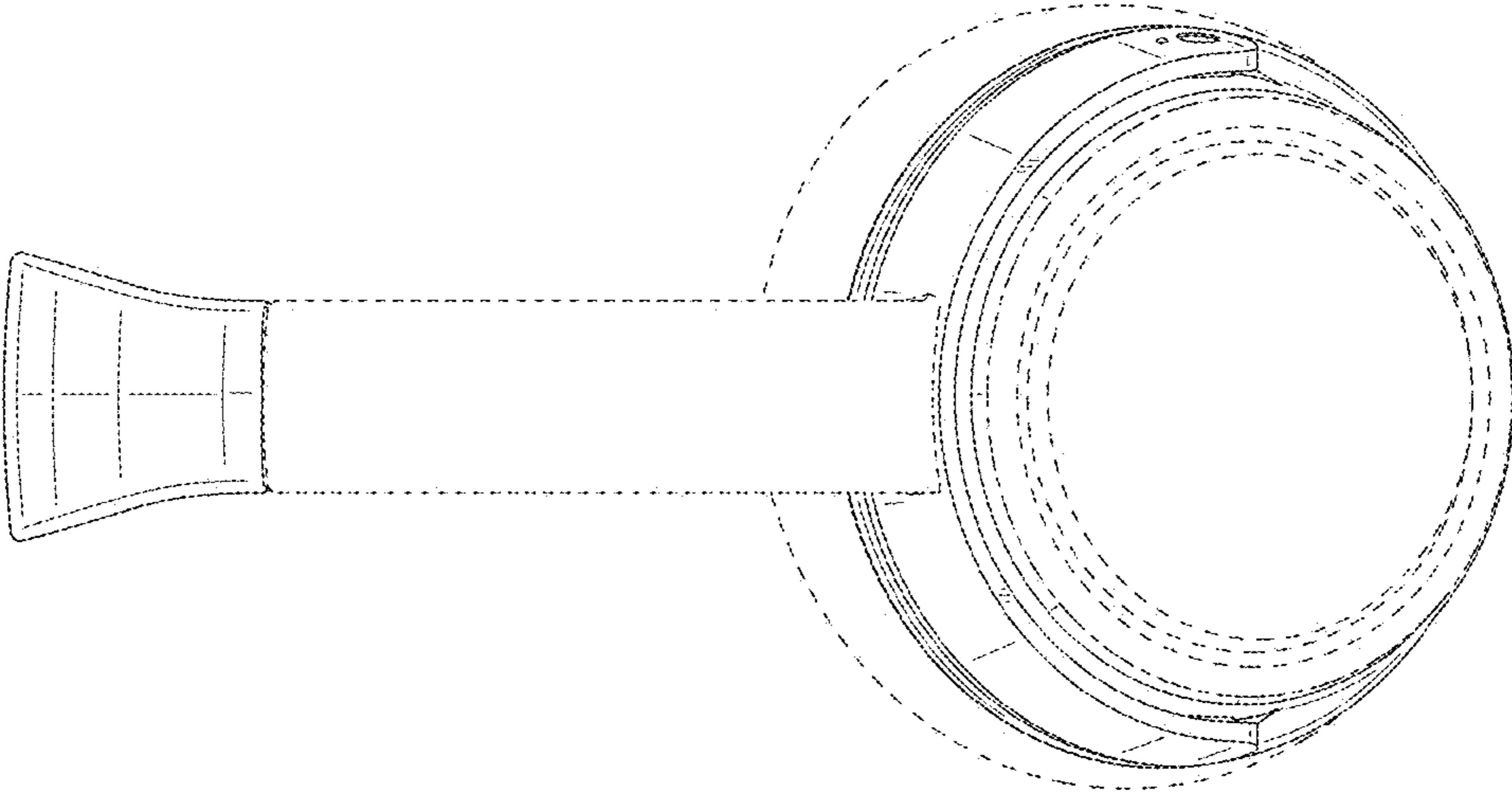


FIG.18

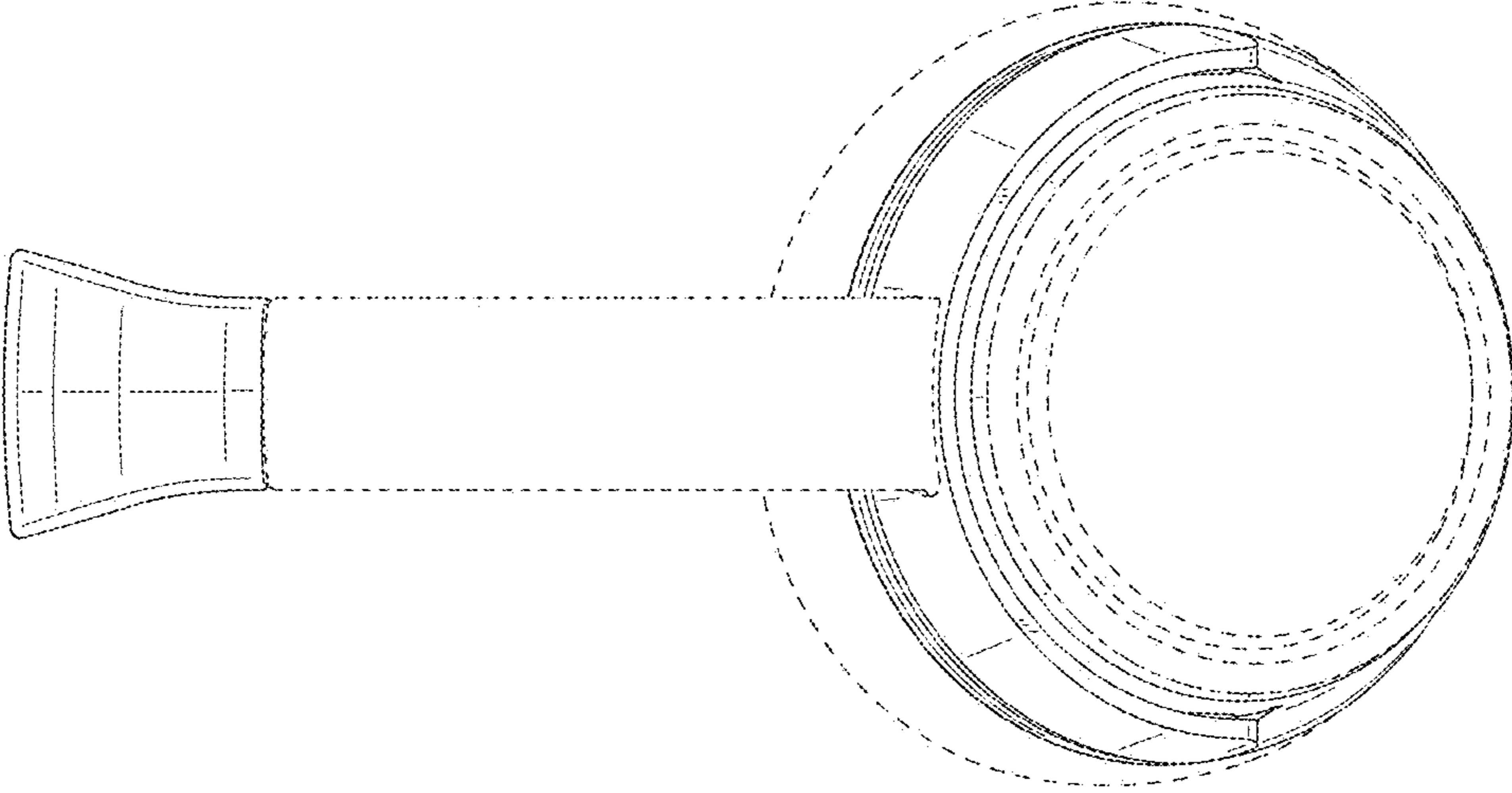


FIG.20

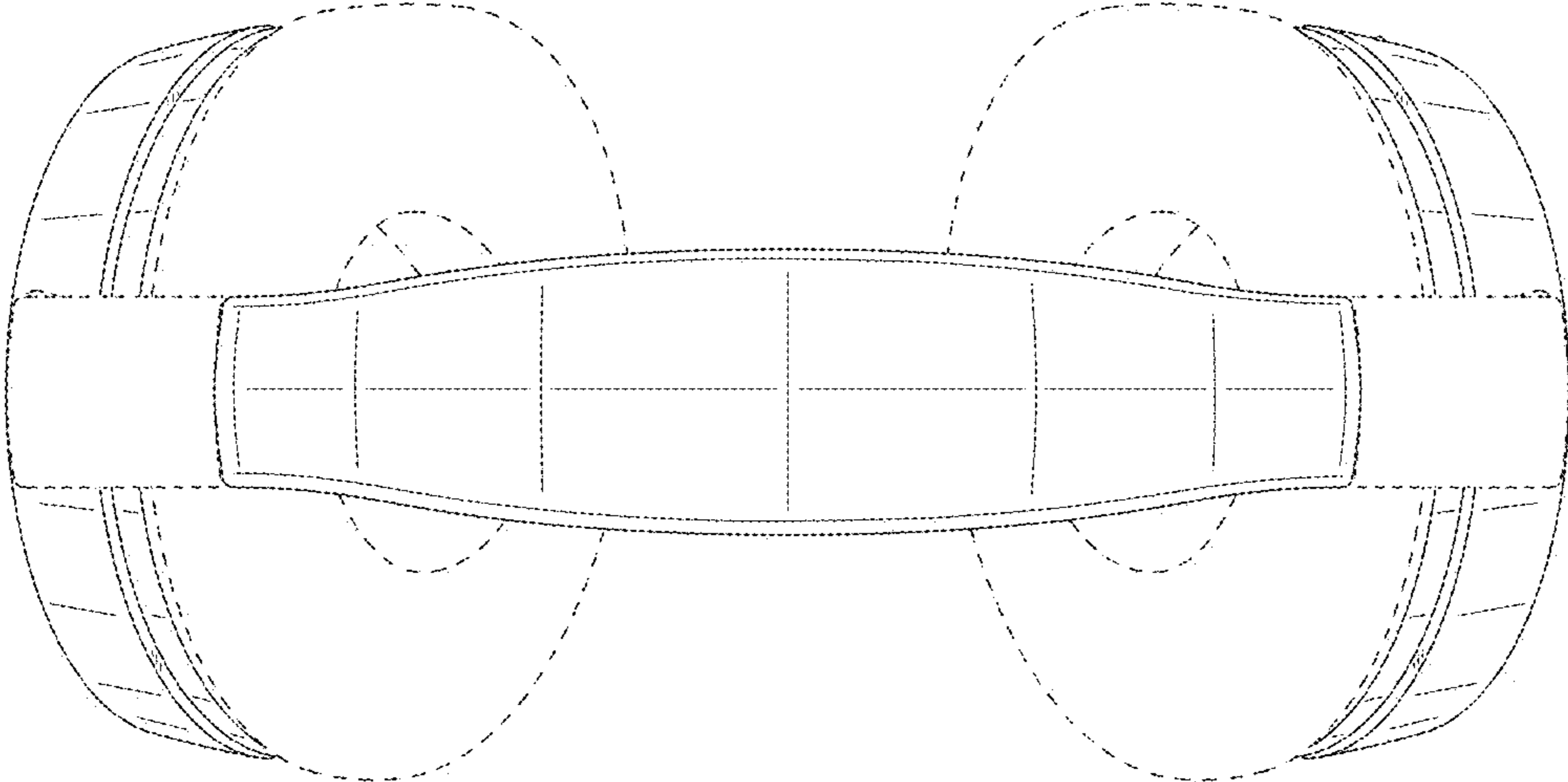


FIG.21

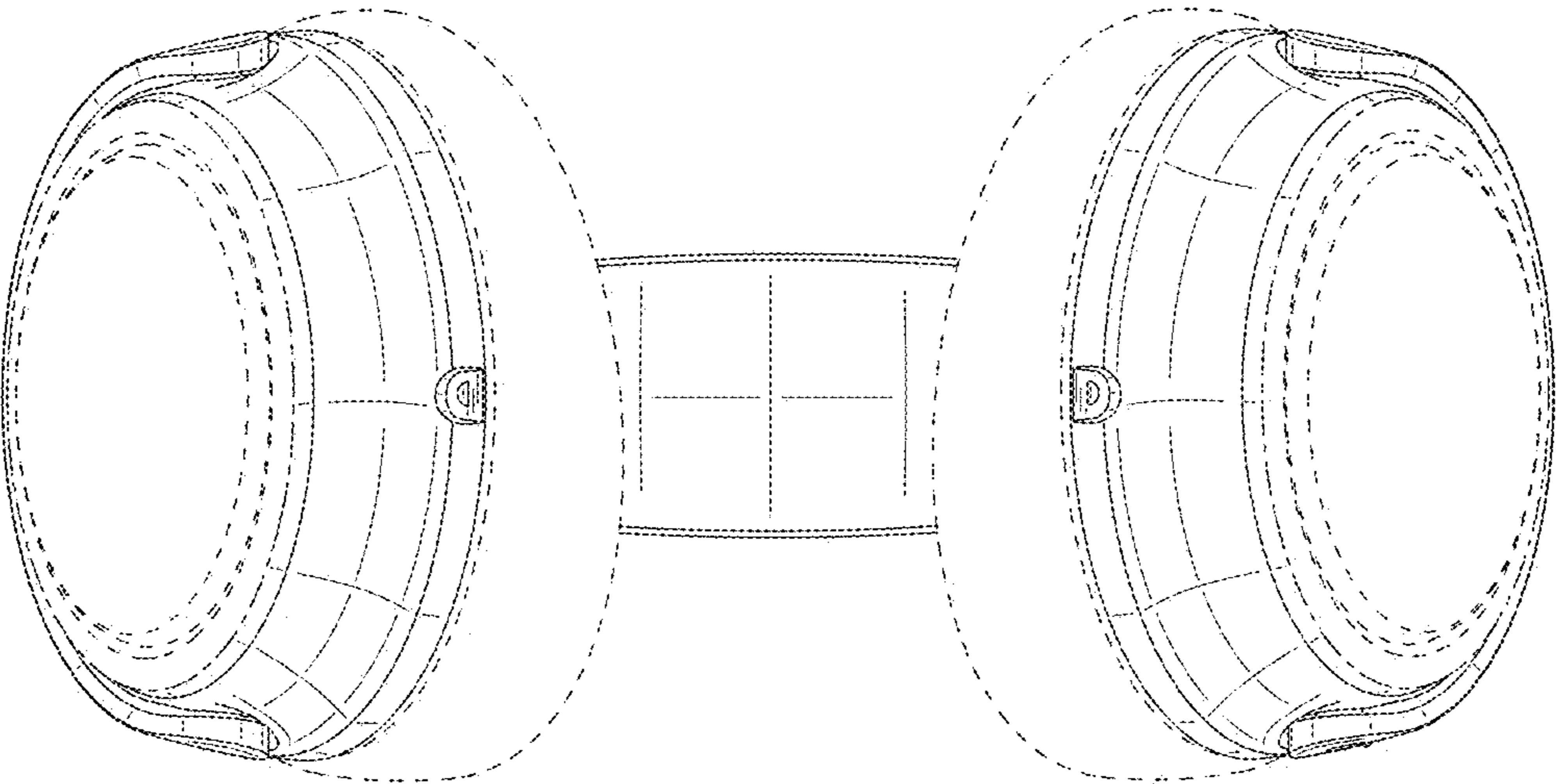


FIG.22

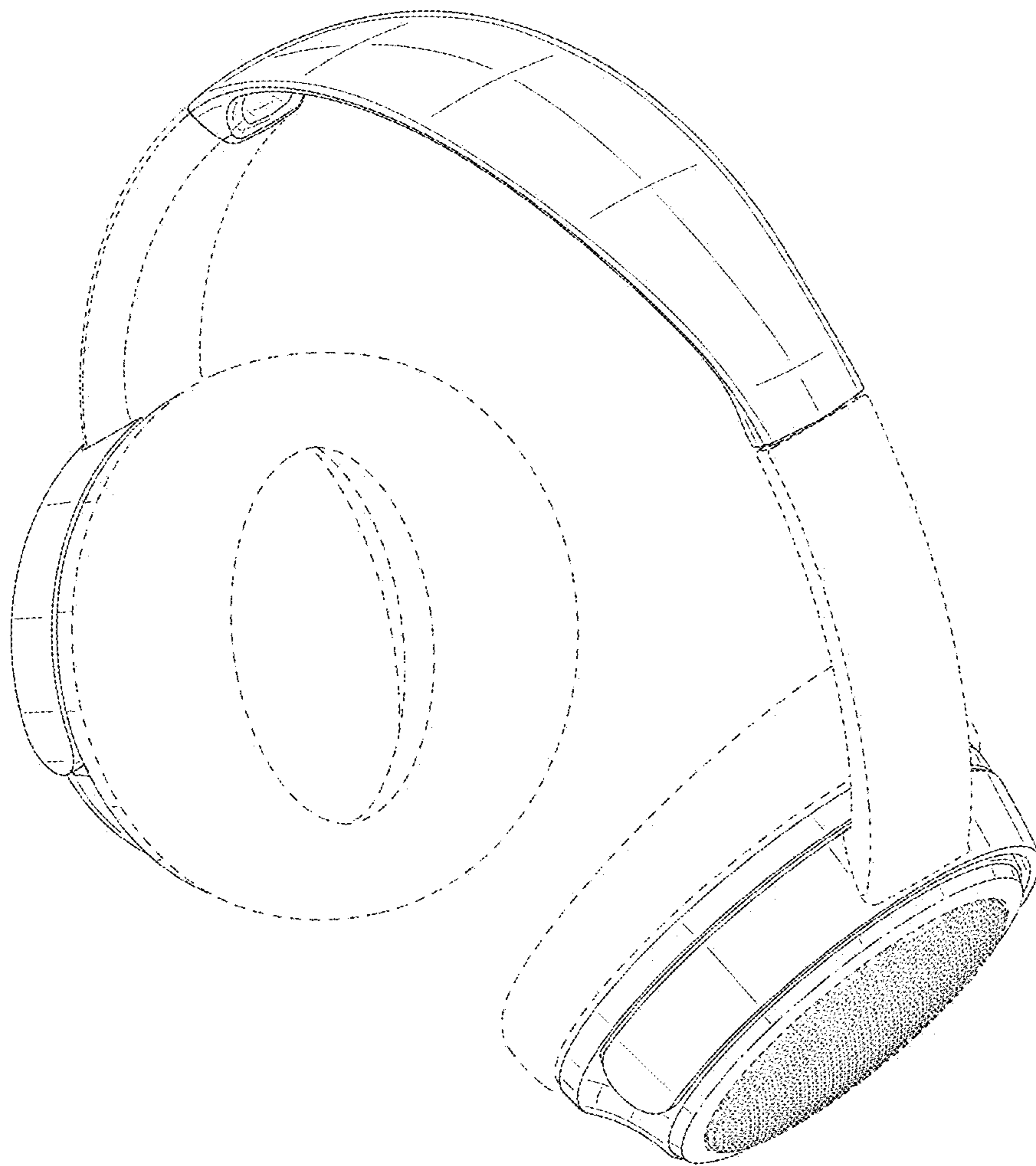


FIG.23



FIG.24



FIG.26

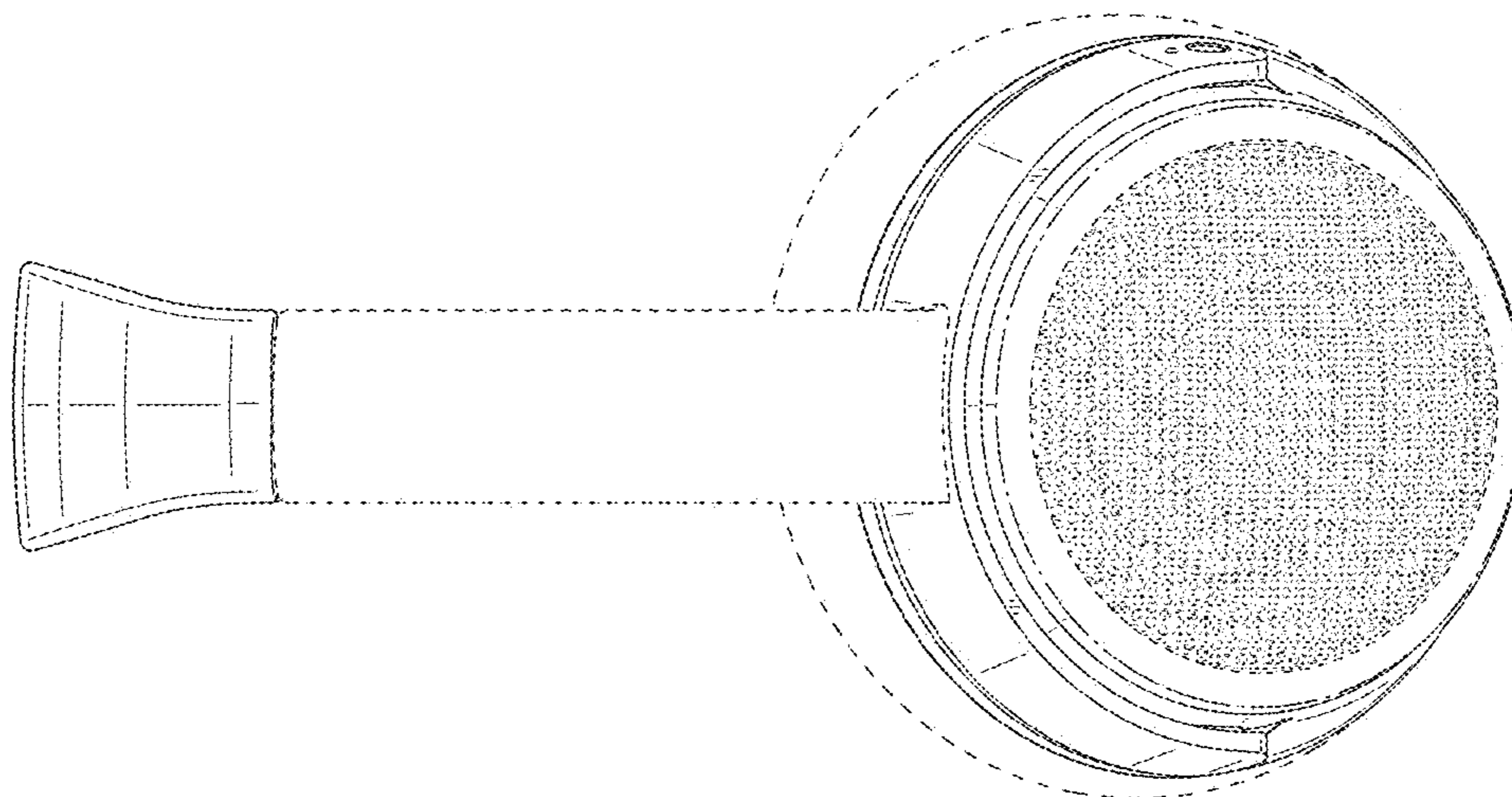


FIG.25

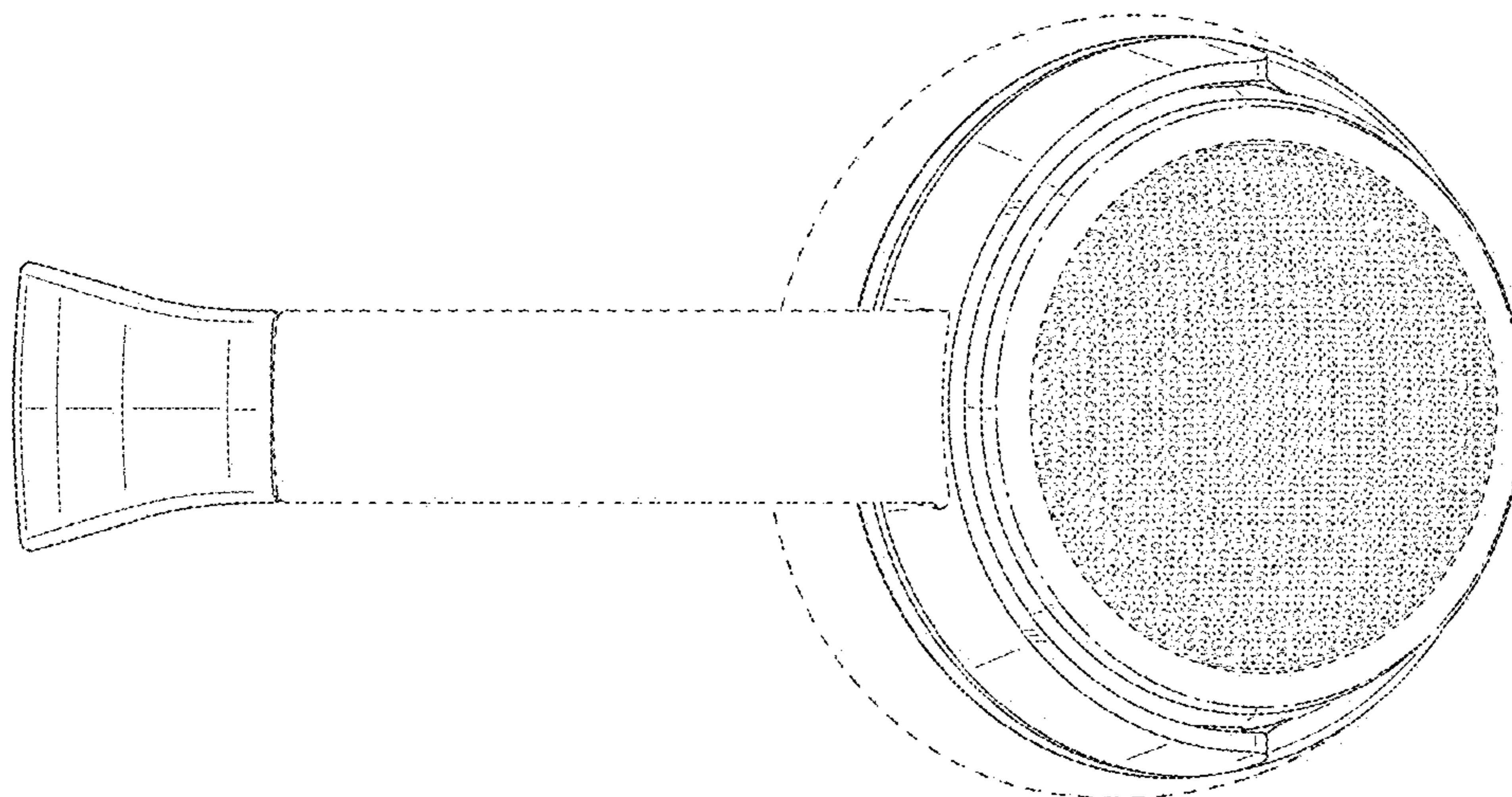


FIG.27

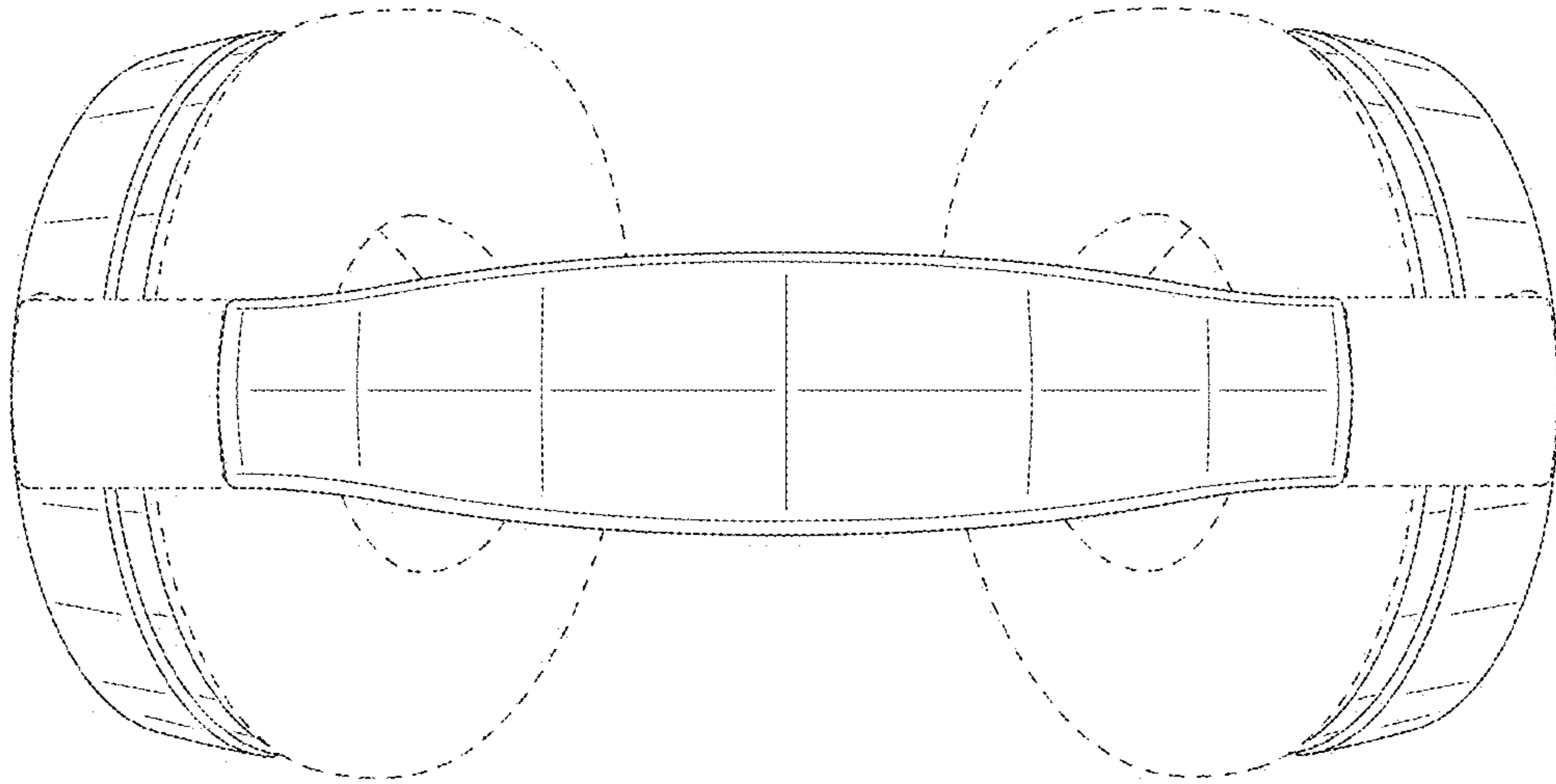


FIG.28

