



US00D695259S

(12) **United States Design Patent**  
**Chan**

(10) **Patent No.:** **US D695,259 S**

(45) **Date of Patent:** **\*\* Dec. 10, 2013**

(54) **MINI VOICE CHANGER**

(71) Applicant: **Chiu Chan**, Kowloon (HK)

(72) Inventor: **Chiu Chan**, Kowloon (HK)

(73) Assignee: **Berwick Industrial Co. Limited**,  
Kowloon (HK)

(\*\*) Term: **14 Years**

(21) Appl. No.: **29/455,284**

(22) Filed: **May 19, 2013**

(51) **LOC (9) Cl.** ..... **14-03**

(52) **U.S. Cl.**  
USPC ..... **D14/158**

(58) **Field of Classification Search**  
USPC ..... D14/185-187, 204, 158; D16/132, 135;  
D21/401, 405, 483; 116/137 R;  
181/177, 178, 184, 187, 188; 381/75,  
381/175, 177, 182; 446/397, 484, 901;  
D10/120, 121

See application file for complete search history.

(56) **References Cited**

**U.S. PATENT DOCUMENTS**

1,926,688 A \* 9/1933 Schaal ..... 116/137 R  
D99,177 S \* 4/1936 Armstrong ..... D10/120  
3,412,207 A \* 11/1968 Sugawara ..... 381/75

D271,968 S \* 12/1983 Segan et al. .... D14/187  
D372,916 S \* 8/1996 Starck ..... D14/195  
5,859,915 A \* 1/1999 Norris ..... 381/75  
D488,736 S \* 4/2004 Wiggerman ..... D10/120  
D508,720 S \* 8/2005 Yuen ..... D21/405  
D568,195 S \* 5/2008 Solow ..... D10/120  
D592,177 S \* 5/2009 Dobbs et al. .... D14/158  
D630,540 S \* 1/2011 Barley et al. .... D10/121  
D641,274 S \* 7/2011 Barley et al. .... D10/119.1  
D680,999 S \* 4/2013 Chan ..... D14/158  
2003/0177657 A1 \* 9/2003 Andis et al. .... 34/96  
2005/0072019 A1 \* 4/2005 Rago et al. .... 34/96

\* cited by examiner

*Primary Examiner* — Austin Murphy

(74) *Attorney, Agent, or Firm* — Prakash Nama; Global IP Services, PLLC

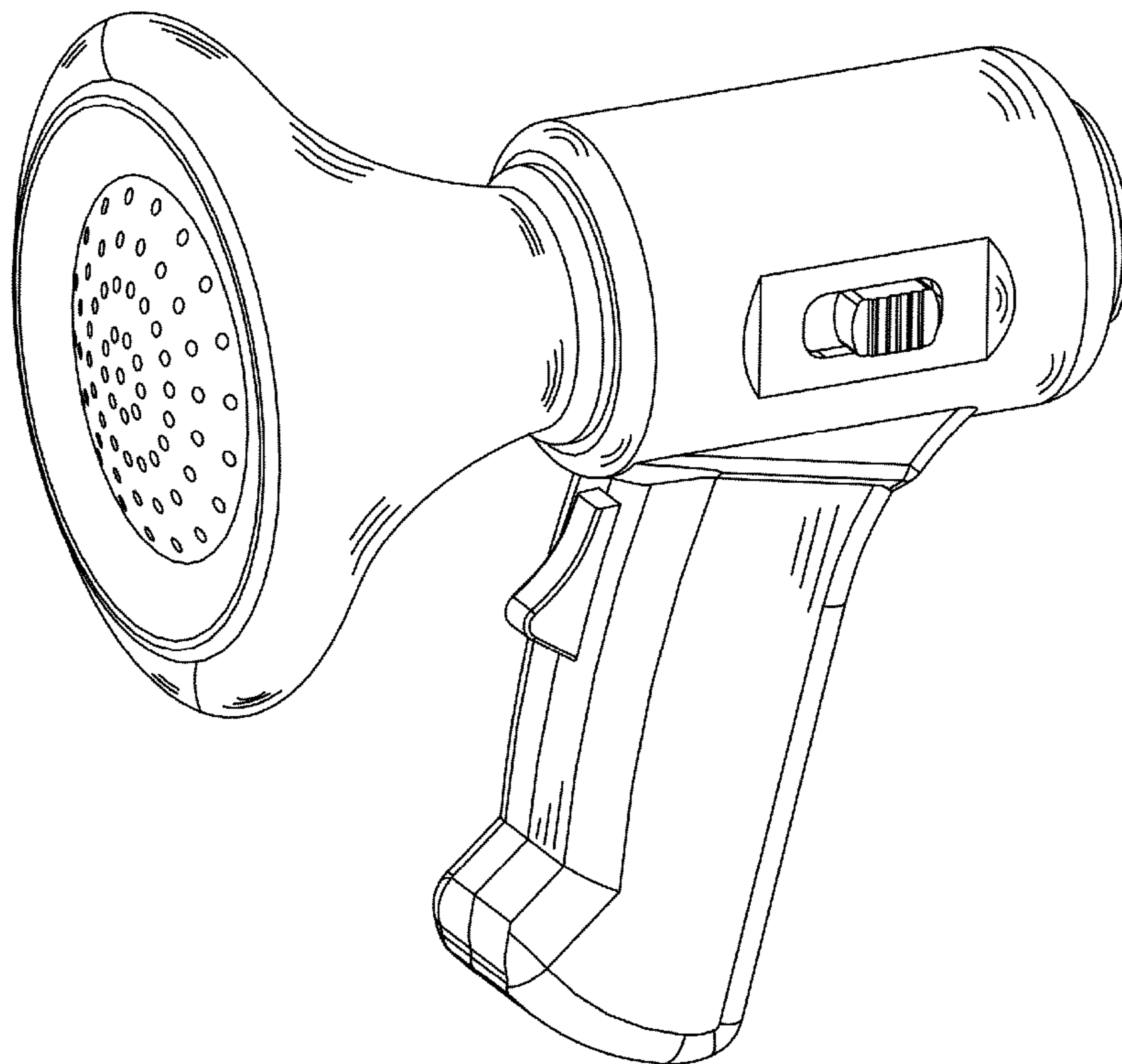
(57) **CLAIM**

The ornamental design for a mini voice changer, as shown.

**DESCRIPTION**

FIG. 1 is a front elevational view of a mini voice changer showing my new design;  
FIG. 2 is a rear elevational view thereof;  
FIG. 3 is a left side view thereof;  
FIG. 4 is a right side view thereof;  
FIG. 5 is a top plan view thereof;  
FIG. 6 is a bottom plan view thereof; and,  
FIG. 7 is a perspective view thereof.

**1 Claim, 7 Drawing Sheets**



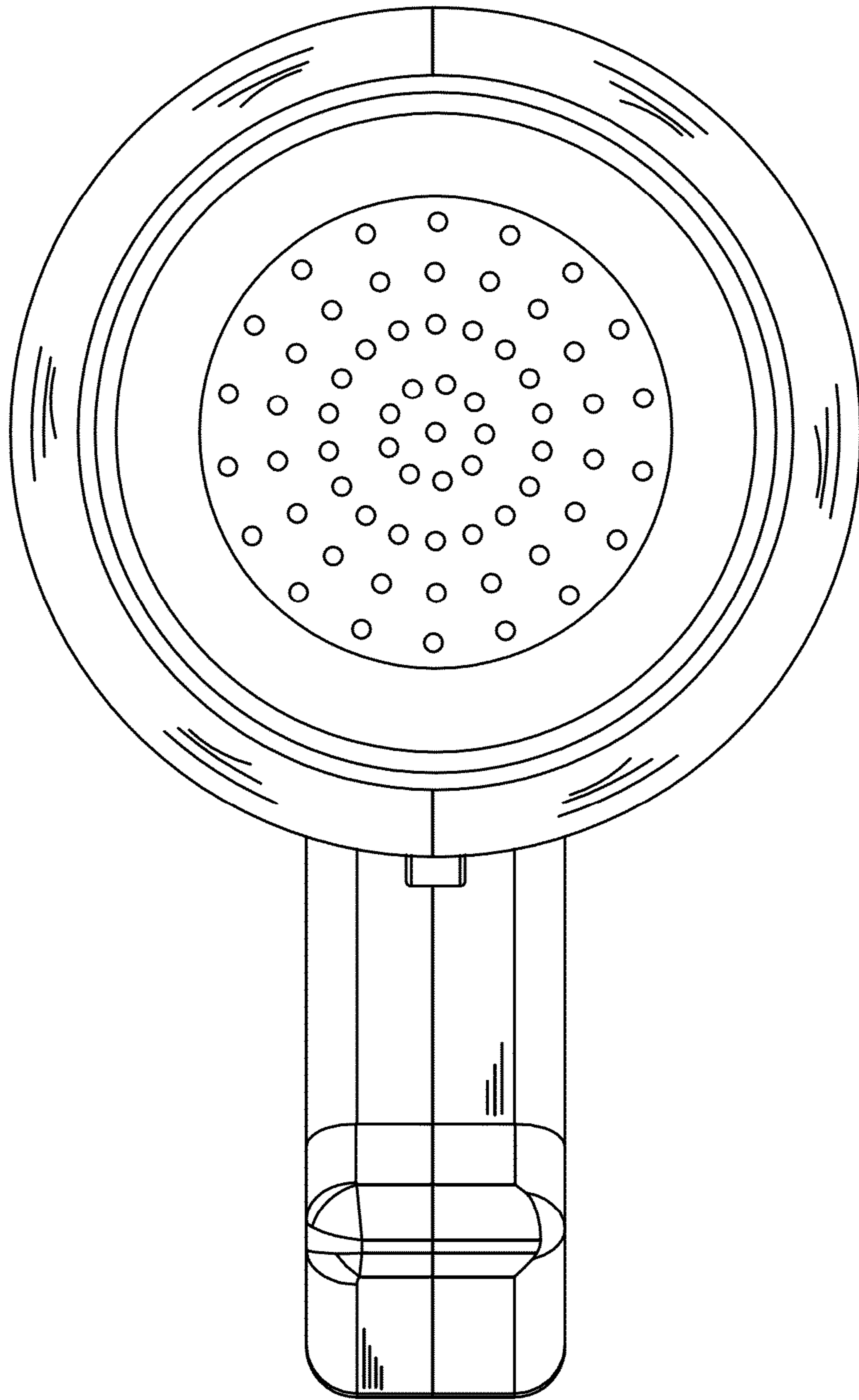


FIG. 1

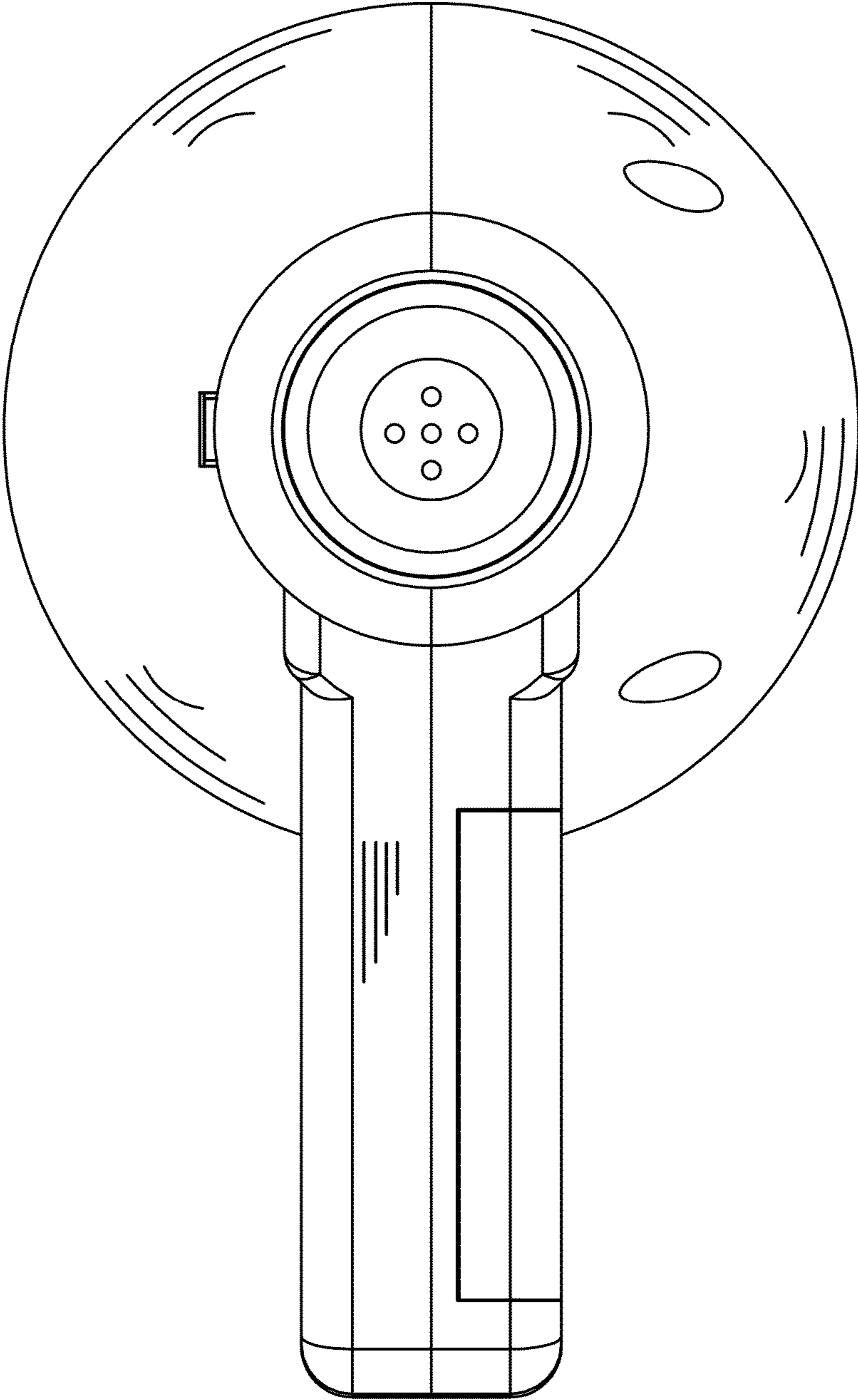


FIG. 2

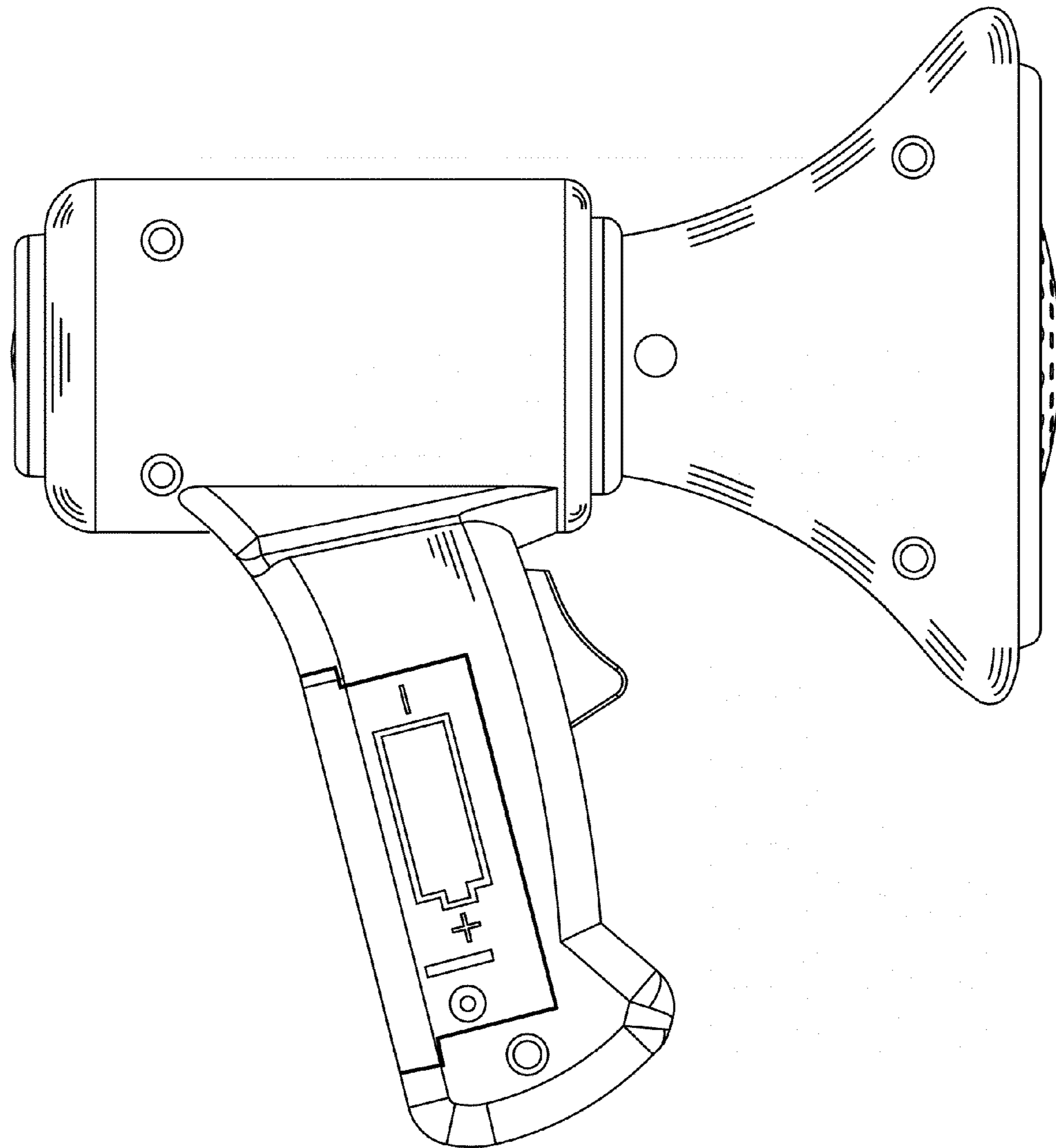


FIG. 3

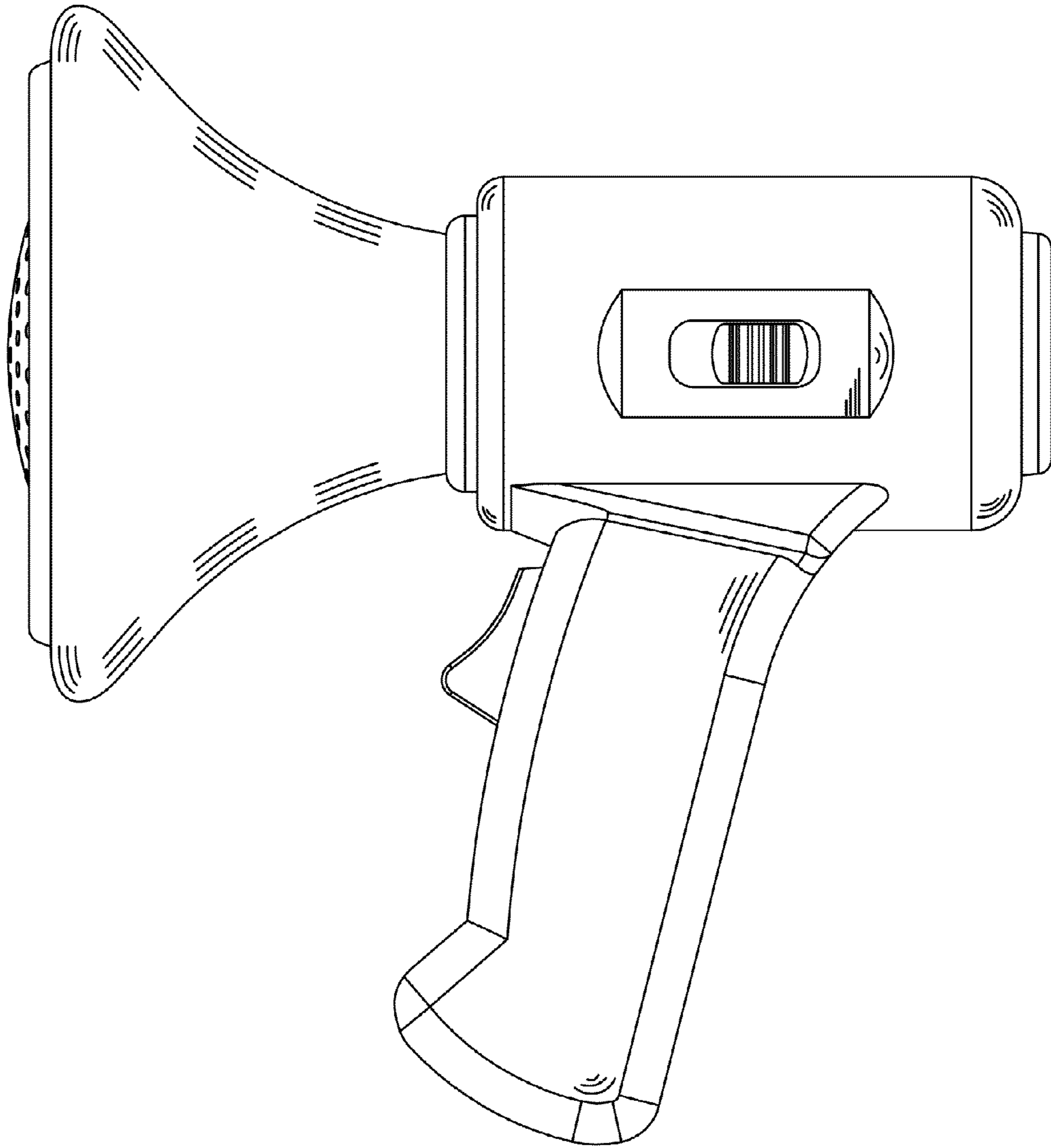


FIG. 4



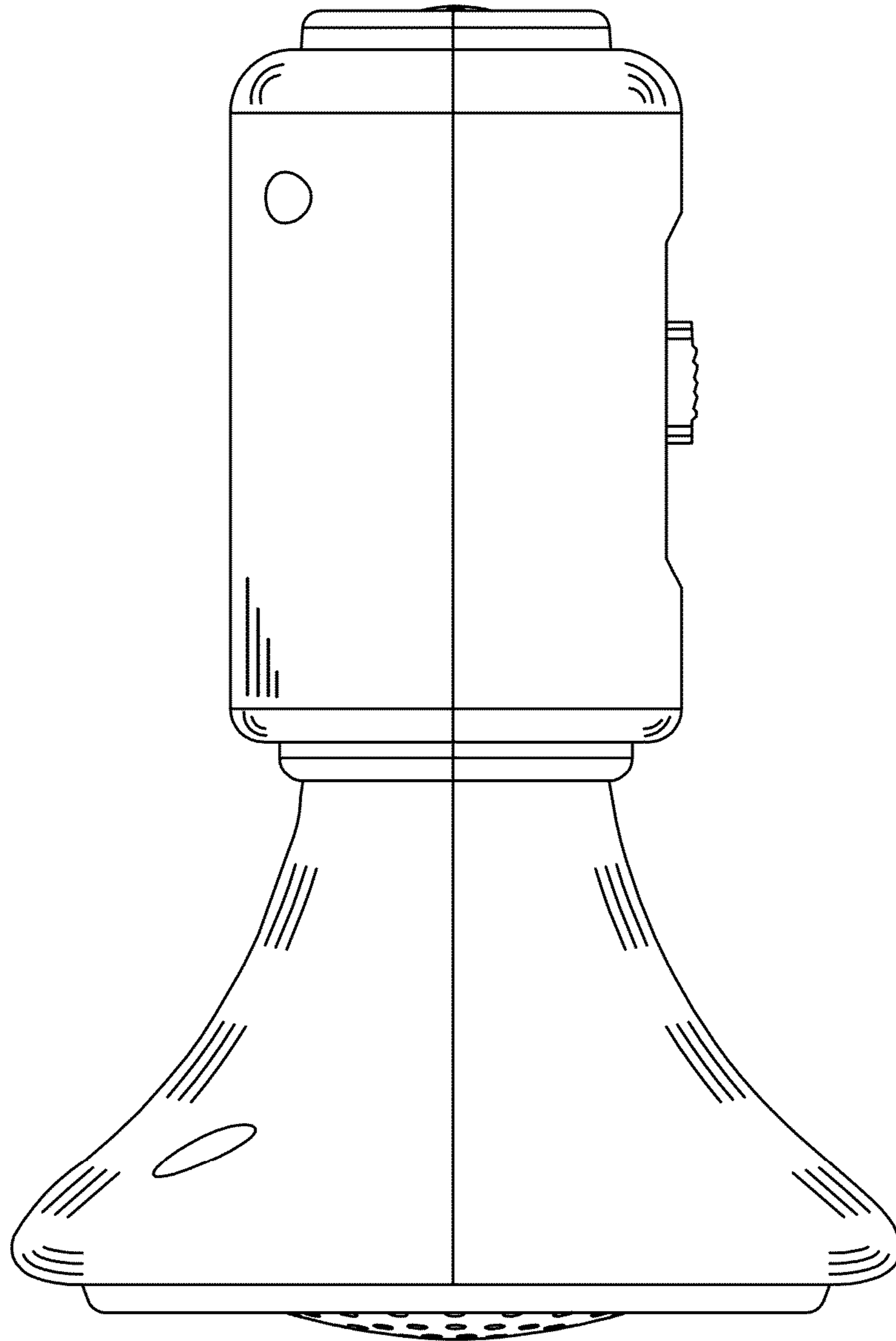


FIG. 5

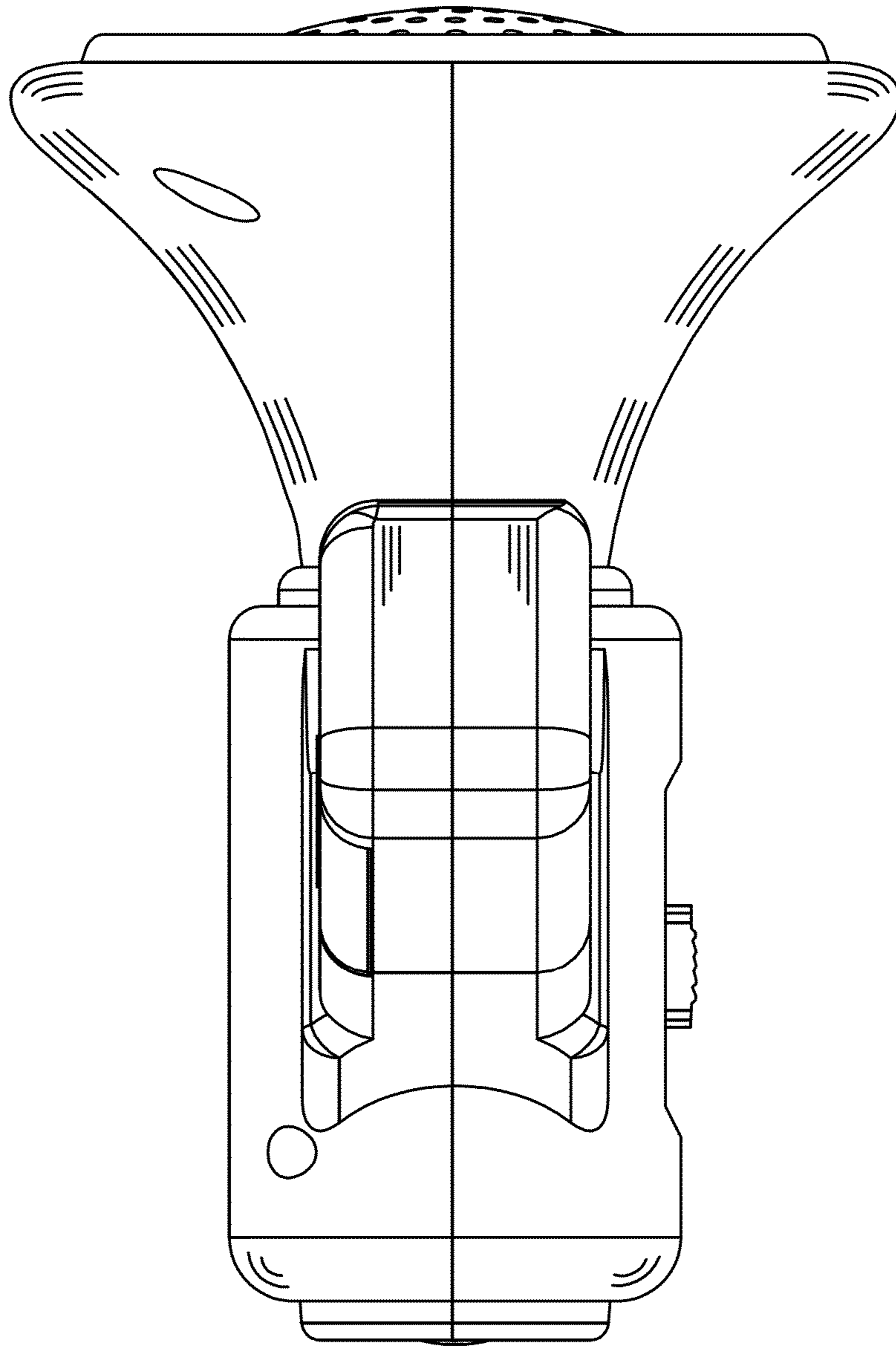


FIG. 6

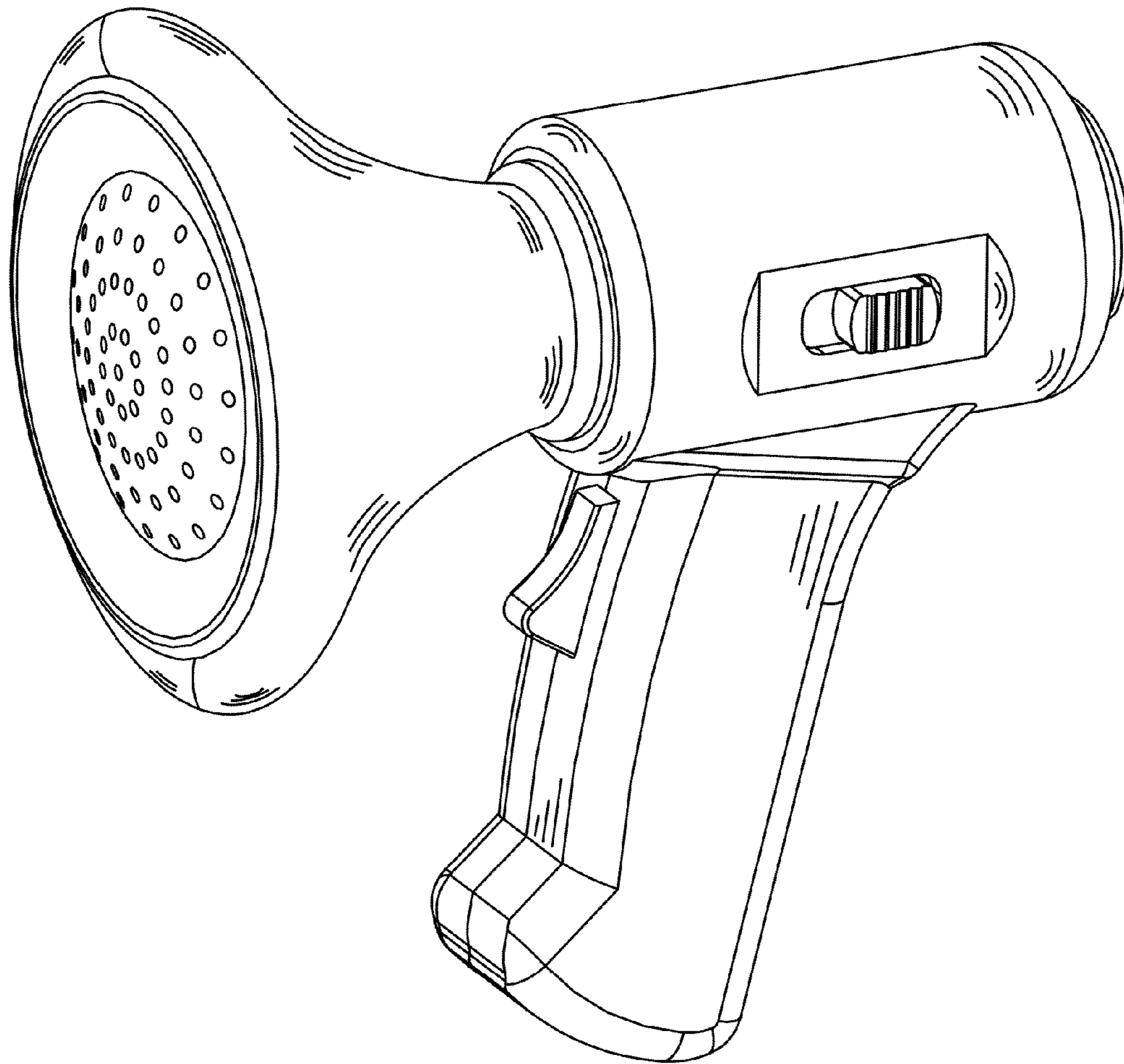


FIG. 7