

US00D695258S

(12) **United States Design Patent**
Hauser et al.

(10) **Patent No.:** **US D695,258 S**

(45) **Date of Patent:** **** Dec. 10, 2013**

(54) **WIRELESS TAG**

(75) Inventors: **Peter Edmund Heinrich Hauser**,
Kirkland, OK (US); **Henry Penix**, Tulsa,
OK (US); **Zachry Penix**, Tulsa, OK
(US); **Ryan J. Schwarz**, Owasso, OK
(US); **Ryan Moore**, Seattle, WA (US)

(73) Assignee: **Zomm, LLC**, Tulsa, OK (US)

(**) Term: **14 Years**

(21) Appl. No.: **29/410,471**

(22) Filed: **Jan. 9, 2012**

(51) **LOC (9) Cl.** **14-03**

(52) **U.S. Cl.**
USPC **D14/155**

(58) **Field of Classification Search**
USPC D14/167, 154, 168, 188, 496, 156, 160,
D14/161, 162, 163, 164, 165, 158, 341, 346,
D14/342, 345, 155, 218, 225; D16/208;
D26/38; 455/351, 350, 575.1, 556.1;
D10/104, 106, 65, 57
See application file for complete search history.

| | | | | |
|--------------|---------|-----------------|-------|-------|
| D457,402 S * | 5/2002 | Heck et al. | | D8/5 |
| D490,335 S | 5/2004 | Attar | | |
| D511,117 S | 11/2005 | Farrahi | | |
| D519,918 S | 5/2006 | Wilson et al. | | |
| 7,042,407 B2 | 5/2006 | Syed et al. | | |
| D523,709 S * | 6/2006 | Knox | | D8/5 |
| D537,309 S * | 2/2007 | Wang | | D8/52 |
| D547,141 S * | 7/2007 | Shan | | D8/5 |
| D557,086 S * | 12/2007 | Lipscomb et al. | | D8/5 |
| 7,646,306 B2 | 1/2010 | De Macedo | | |
| D617,667 S | 6/2010 | Penix et al. | | |
| D628,031 S * | 11/2010 | Stokes et al. | | D8/5 |
| D628,032 S * | 11/2010 | Stokes et al. | | D8/5 |
| D630,067 S * | 1/2011 | Block et al. | | D8/5 |
| D640,106 S * | 6/2011 | Molina et al. | | D8/57 |
| D642,032 S * | 7/2011 | Molina et al. | | D8/57 |
| D642,035 S * | 7/2011 | Molina et al. | | D8/57 |
| 8,098,162 B2 | 1/2012 | Abbot et al. | | |
| D680,015 S | 4/2013 | Hauser | | |

* cited by examiner

Primary Examiner — Austin Murphy

(74) *Attorney, Agent, or Firm* — Brian J. Colandreo;
Elizabeth R. Burkhard; Holland & Knight LLP

(57) **CLAIM**

The ornamental design for a wireless tag, as shown and described.

DESCRIPTION

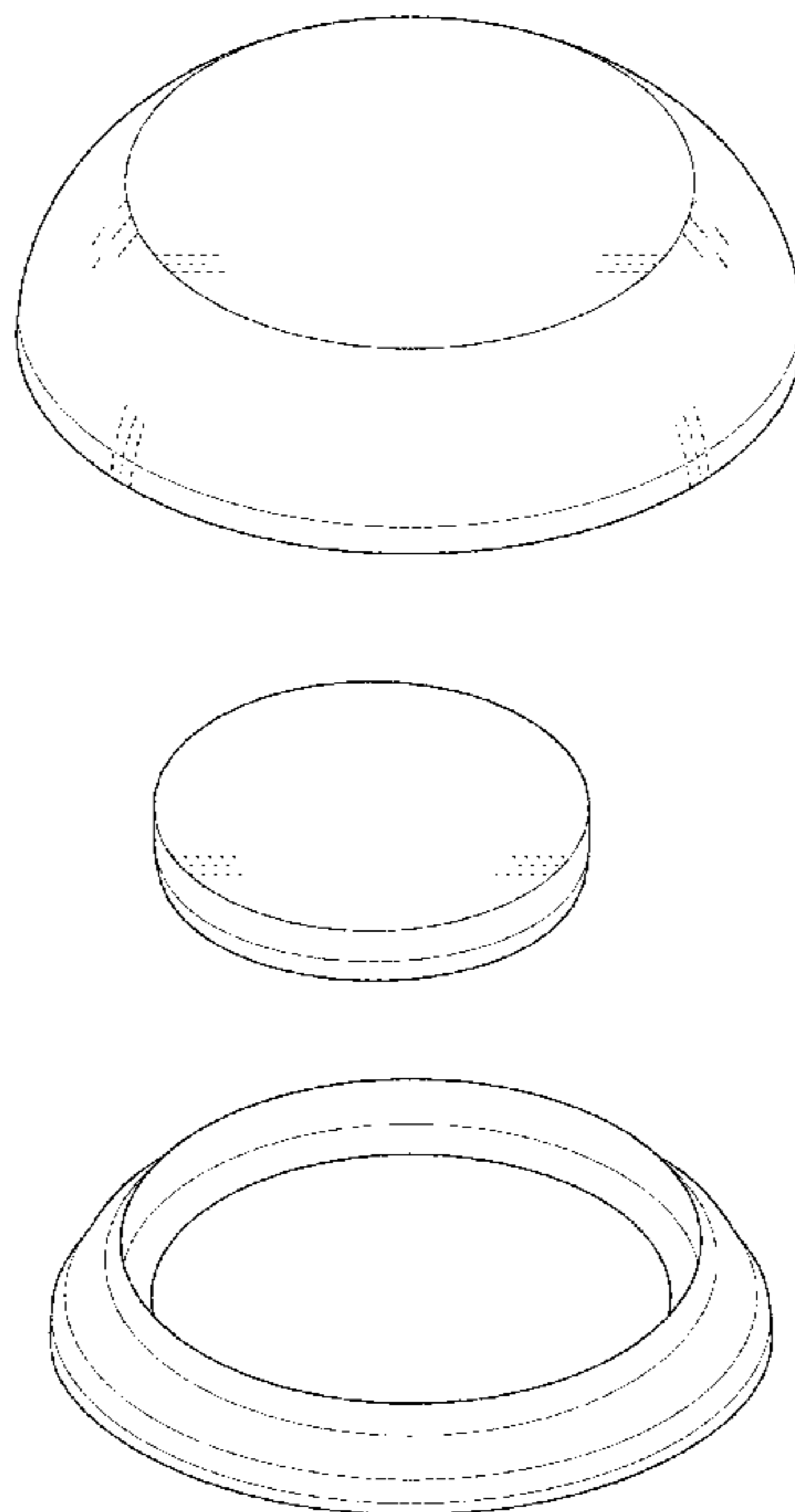
FIG. 1 is a front perspective view of a wireless tag;
FIG. 2 is a front plan view thereof;
FIG. 3 is a rear plan view thereof;
FIG. 4 is a side elevational view thereof;
FIG. 5 is an exploded front perspective view thereof; and,
FIG. 6 is an exploded side elevational view thereof.

1 Claim, 6 Drawing Sheets

(56) **References Cited**

U.S. PATENT DOCUMENTS

| | | | | |
|--------------|---------|----------------|-------|------|
| D215,625 S | 10/1969 | Hedgewick | | |
| D342,652 S * | 12/1993 | Wensley et al. | | D8/5 |
| D357,205 S | 4/1995 | Sandino | | |
| D386,434 S | 11/1997 | Sandino | | |
| D419,043 S * | 1/2000 | Staton | | D8/5 |
| D427,103 S | 6/2000 | Bryant, Jr. | | |
| D433,888 S * | 11/2000 | Choi | | D8/5 |



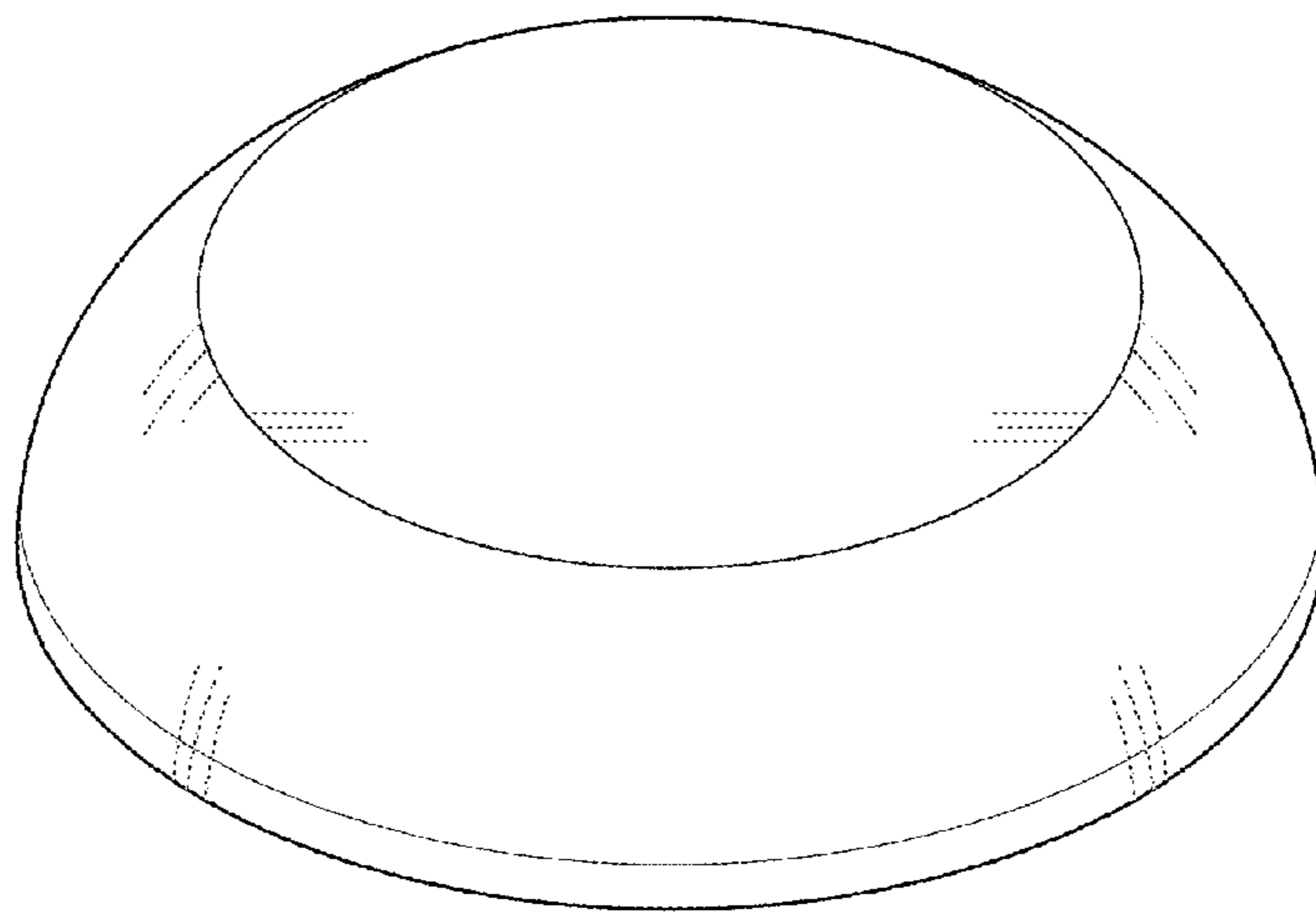


FIG. 1

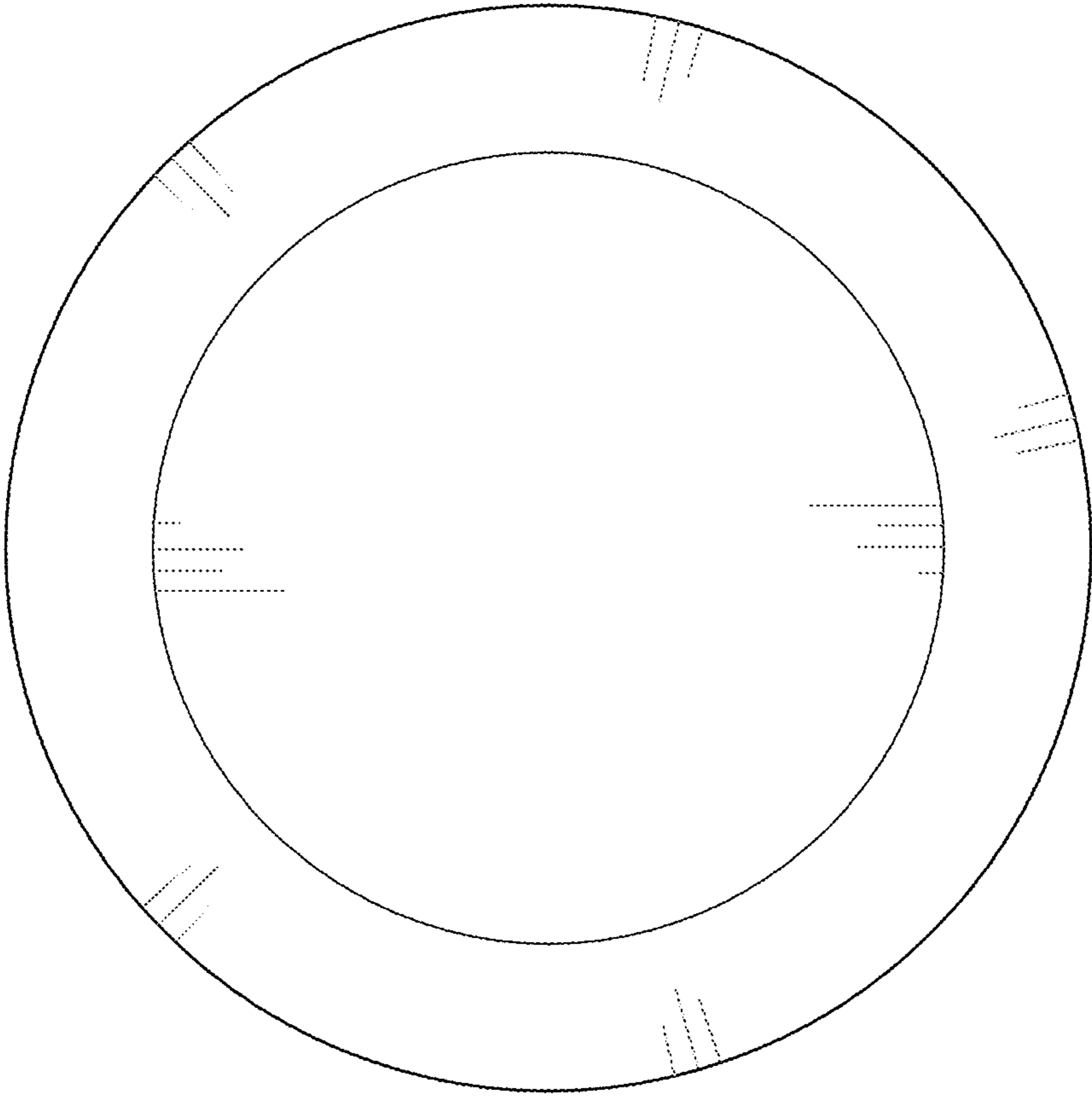


FIG. 2

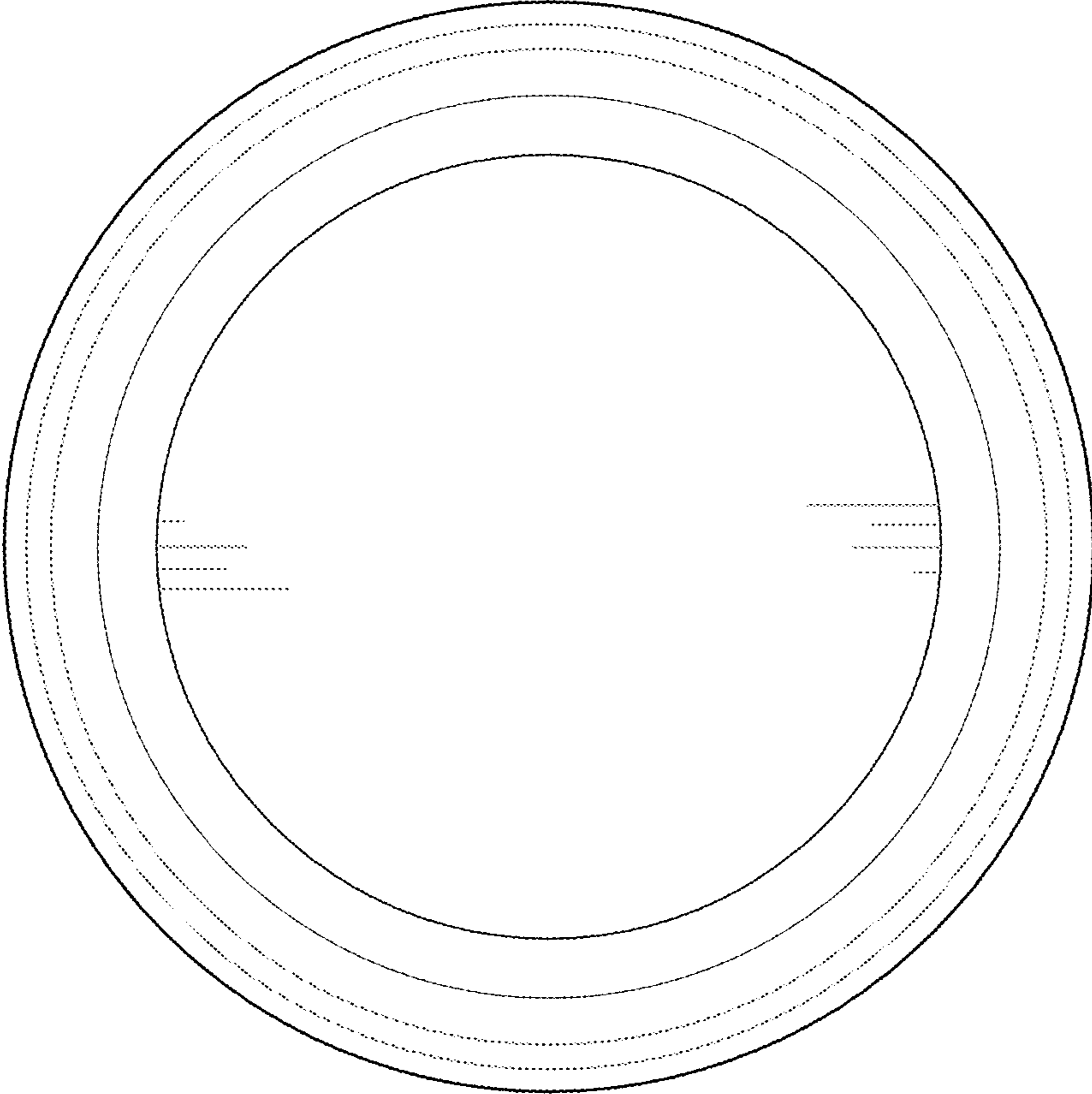


FIG. 3

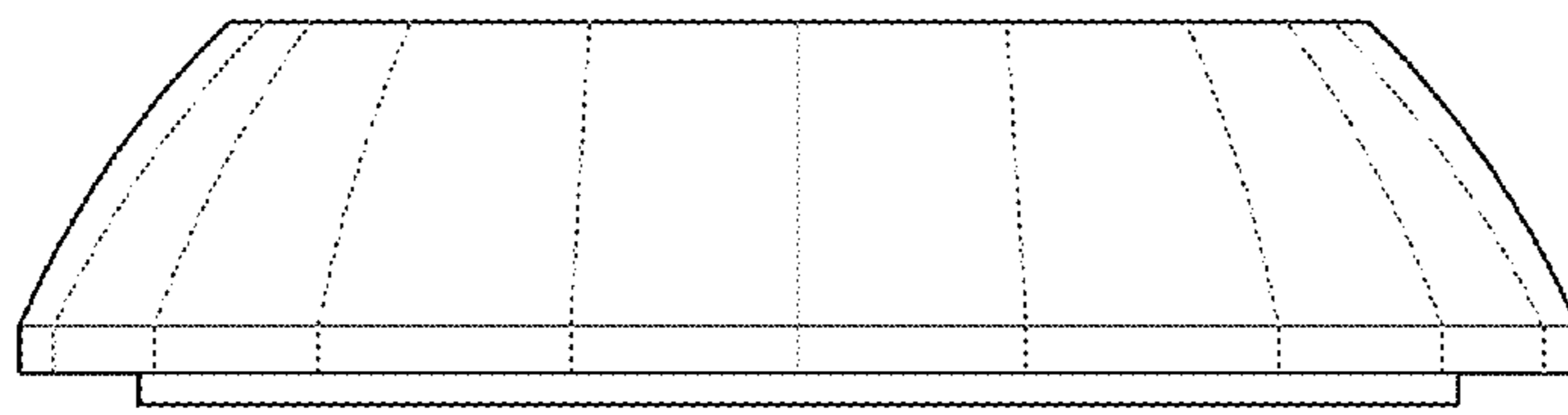


FIG. 4

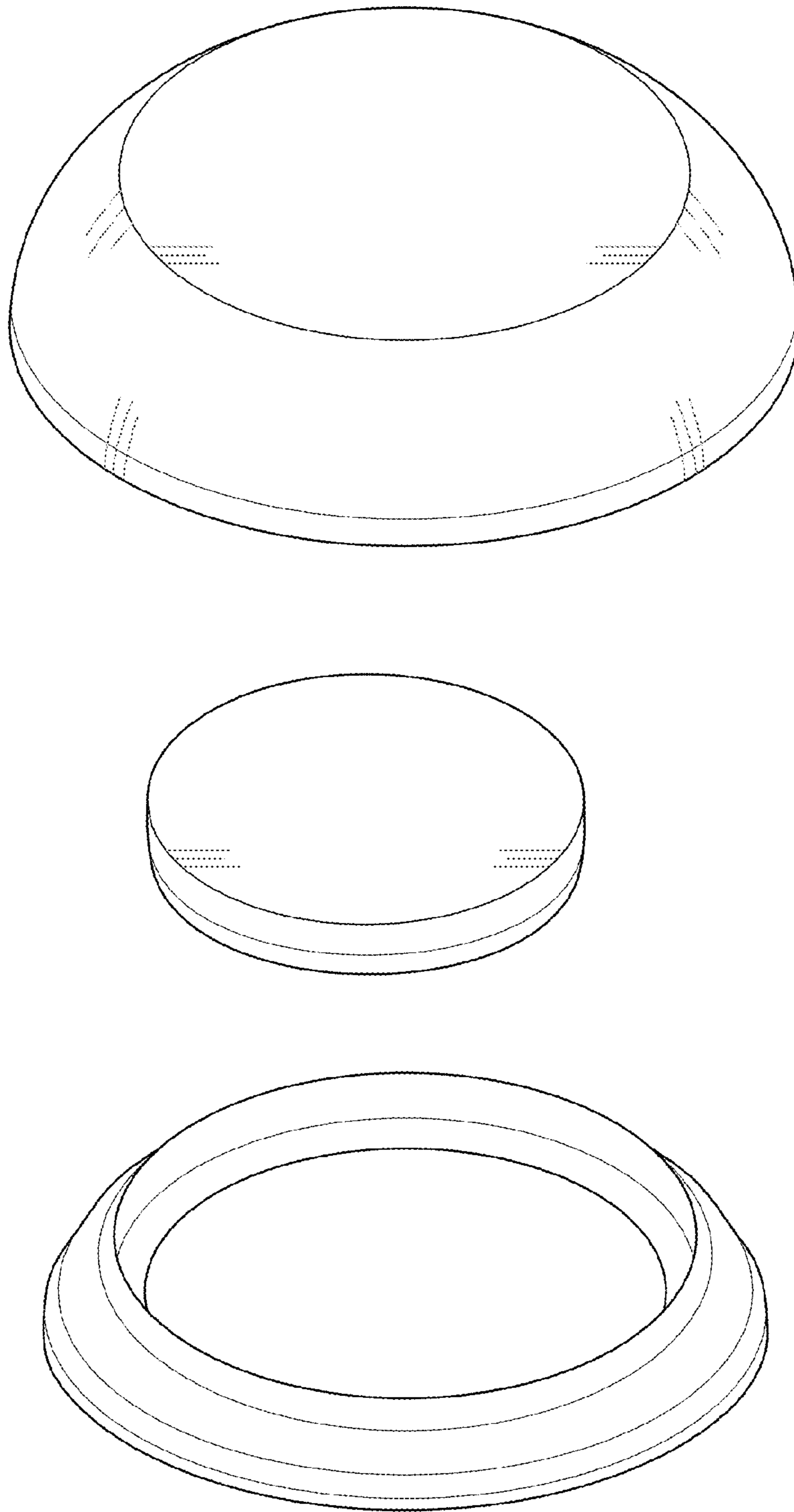


FIG. 5

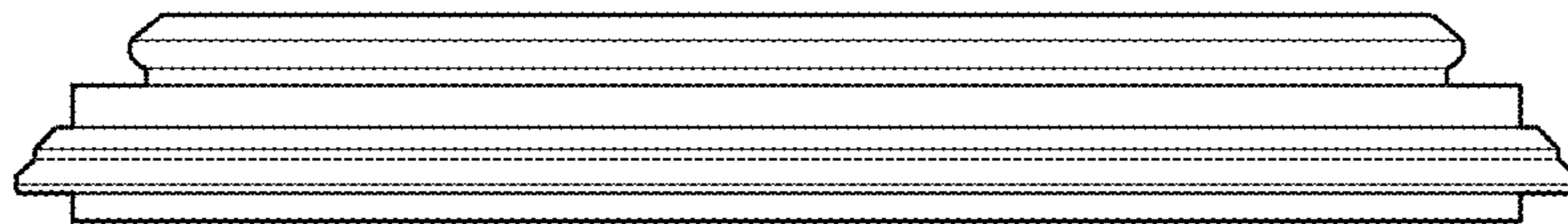
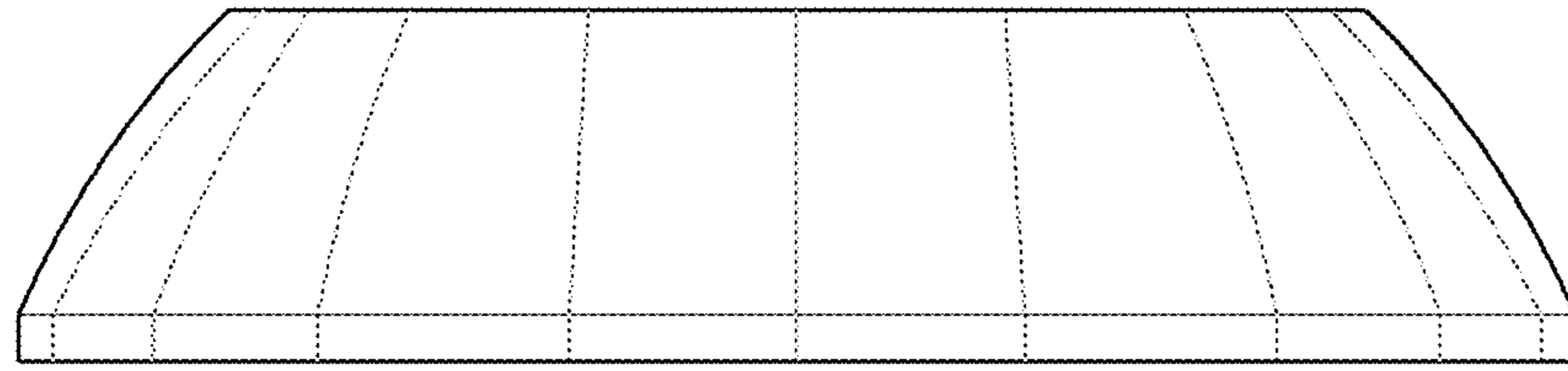


FIG. 6