



US00D695255S

(12) **United States Design Patent**  
**Kim**

(10) **Patent No.:** **US D695,255 S**

(45) **Date of Patent:** **\*\* Dec. 10, 2013**

(54) **MOBILE TERMINAL**

D657,329 S \* 4/2012 Son ..... D14/138 G  
D657,331 S \* 4/2012 Jung ..... D14/138 G

(75) Inventor: **Dong-Kyun Kim**, Seoul (KR)

(Continued)

(73) Assignee: **Samsung Electronics Co., Ltd.**,  
Suwon-si (KR)

**OTHER PUBLICATIONS**

(\*\*) Term: **14 Years**

LG Optimus Black, announced Jan. 2011, [online], [retrieved on Jan. 6, 2011]. Retrieved from Internet ,<URL: http://www.gsmarena.com>.\*

(21) Appl. No.: **29/425,658**

(Continued)

(22) Filed: **Jun. 26, 2012**

*Primary Examiner* — Bridget L Eland

(30) **Foreign Application Priority Data**

(74) *Attorney, Agent, or Firm* — NSIP Law

Jan. 13, 2012 (KR) ..... 30-2012-0001868

(51) **LOC (9) Cl.** ..... **14-03**

(57) **CLAIM**

(52) **U.S. Cl.**  
USPC ..... **D14/138 G**

The ornamental design for a mobile terminal, as shown and described.

(58) **Field of Classification Search**  
USPC ..... D14/138 R, 138 AD, 138 AC, 138 C,  
D14/138 G, 191, 203.1–203.8, 496, 138 AA,  
D14/138 AB, 137, 147, 218, 341–347,  
D14/247–248; D10/65, 78, 104; D13/168;  
D18/7; 455/566, 575.1, 575.3, 575.4  
See application file for complete search history.

**DESCRIPTION**

(56) **References Cited**

**U.S. PATENT DOCUMENTS**

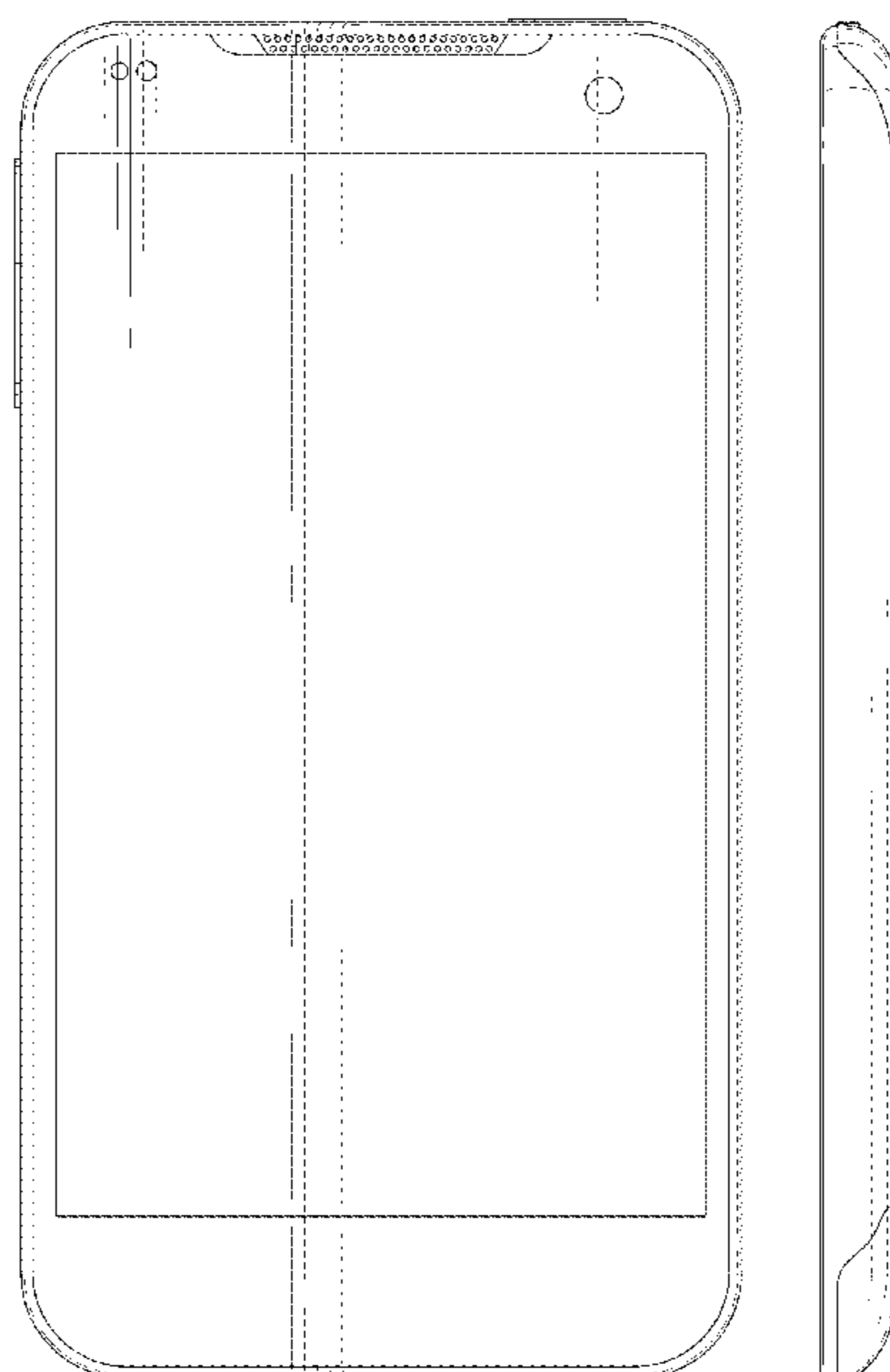
D597,512 S \* 8/2009 Kim et al. .... D14/138 G  
7,580,736 B2 \* 8/2009 Ronkko et al. .... 455/575.3  
D615,945 S \* 5/2010 Kim et al. .... D14/138 G  
D616,856 S \* 6/2010 Song et al. .... D14/138 AD  
D619,555 S \* 7/2010 Yang et al. .... D14/138 G  
7,869,847 B2 \* 1/2011 Zhou et al. .... 455/575.4  
D640,219 S \* 6/2011 Sutherland et al. .... D14/138 G  
D643,827 S \* 8/2011 Lee et al. .... D14/138 G  
D656,918 S \* 4/2012 Kim et al. .... D14/138 G

FIG. 1 is a front perspective view of a mobile terminal;  
FIG. 2 is a front view of the mobile terminal of FIG. 1;  
FIG. 3 is a rear view of the mobile terminal of FIG. 1;  
FIG. 4 is a left-side view of the mobile terminal of FIG. 1;  
FIG. 5 is a right-side view of the mobile terminal of FIG. 1;  
FIG. 6 is a top plan view of the mobile terminal of FIG. 1;  
FIG. 7 is a bottom plan view of the mobile terminal of FIG. 1;  
and,

FIG. 8 is a rear view of the mobile terminal of FIG. 1 illustrating how the mobile terminal of FIG. 1 may be docked to a dummy tablet.

Features shown in broken lines in FIG. 8 form no part of the claimed design.

**1 Claim, 6 Drawing Sheets**



(56)

References Cited

U.S. PATENT DOCUMENTS

D658,147 S \* 4/2012 Yoon ..... D14/138 G  
 D660,274 S \* 5/2012 Lee ..... D14/138 G  
 D663,280 S \* 7/2012 Lee ..... D14/138 AD  
 D663,709 S \* 7/2012 Kim et al. .... D14/138 AD  
 D668,627 S \* 10/2012 Chung ..... D14/138 G  
 D668,629 S \* 10/2012 Chung ..... D14/138 G  
 D670,260 S \* 11/2012 Kim et al. .... D14/138 G  
 D672,327 S \* 12/2012 Lee ..... D14/138 AD  
 D674,369 S \* 1/2013 JaeWoong ..... D14/138 G  
 D676,399 S \* 2/2013 Cho ..... D14/138 G  
 D676,819 S \* 2/2013 Choi ..... D14/138 G  
 D677,640 S \* 3/2013 Kim et al. .... D14/138 G  
 D677,644 S \* 3/2013 Park ..... D14/138 G  
 2008/0259094 A1 \* 10/2008 Kim et al. .... 345/651  
 2011/0045879 A1 \* 2/2011 Kim et al. .... 455/575.4

OTHER PUBLICATIONS

Samsung Captivate Glide, announced Oct. 2011, [online], [retrieved on Oct. 11, 2011]. Retrieved from Internet ,<URL: <http://www.gsmarena.com>>.\*  
 Samsung Galaxy S II Skyrocket HD, announced Jan. 2012, [online], [retrieved on Feb. 3, 2012]. Retrieved from Internet ,<URL: <http://www.gsmarena.com>>.\*  
 Samsung Galaxy Discover, announced Nov. 2012, [online], [retrieved on Nov. 28, 2012]. Retrieved from Internet ,<URL: <http://www.gsmarena.com>>.\*  
 Asus PadFone 2, announced Oct. 2012, [online], [retrieved on Nov. 19, 2012]. Retrieved from Internet ,<URL: <http://www.gsmarena.com>>.\*

\* cited by examiner

FIG. 1

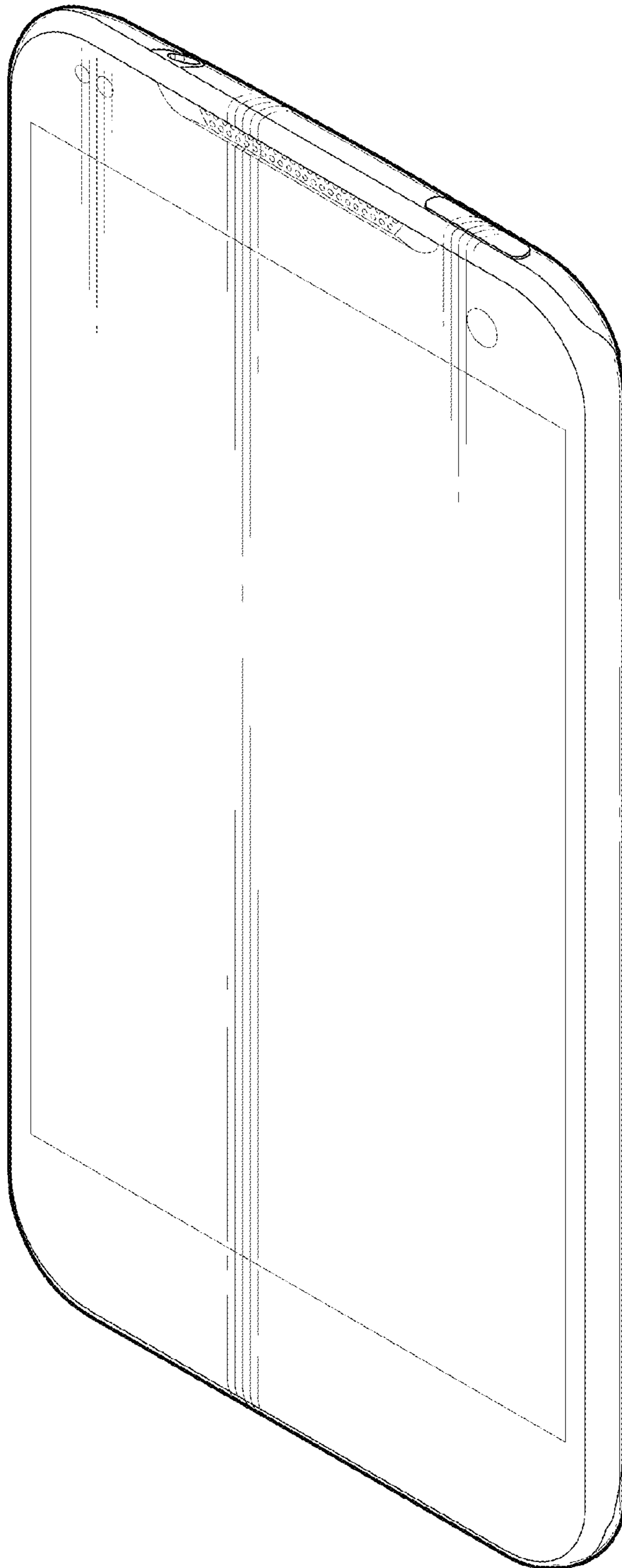


FIG. 2

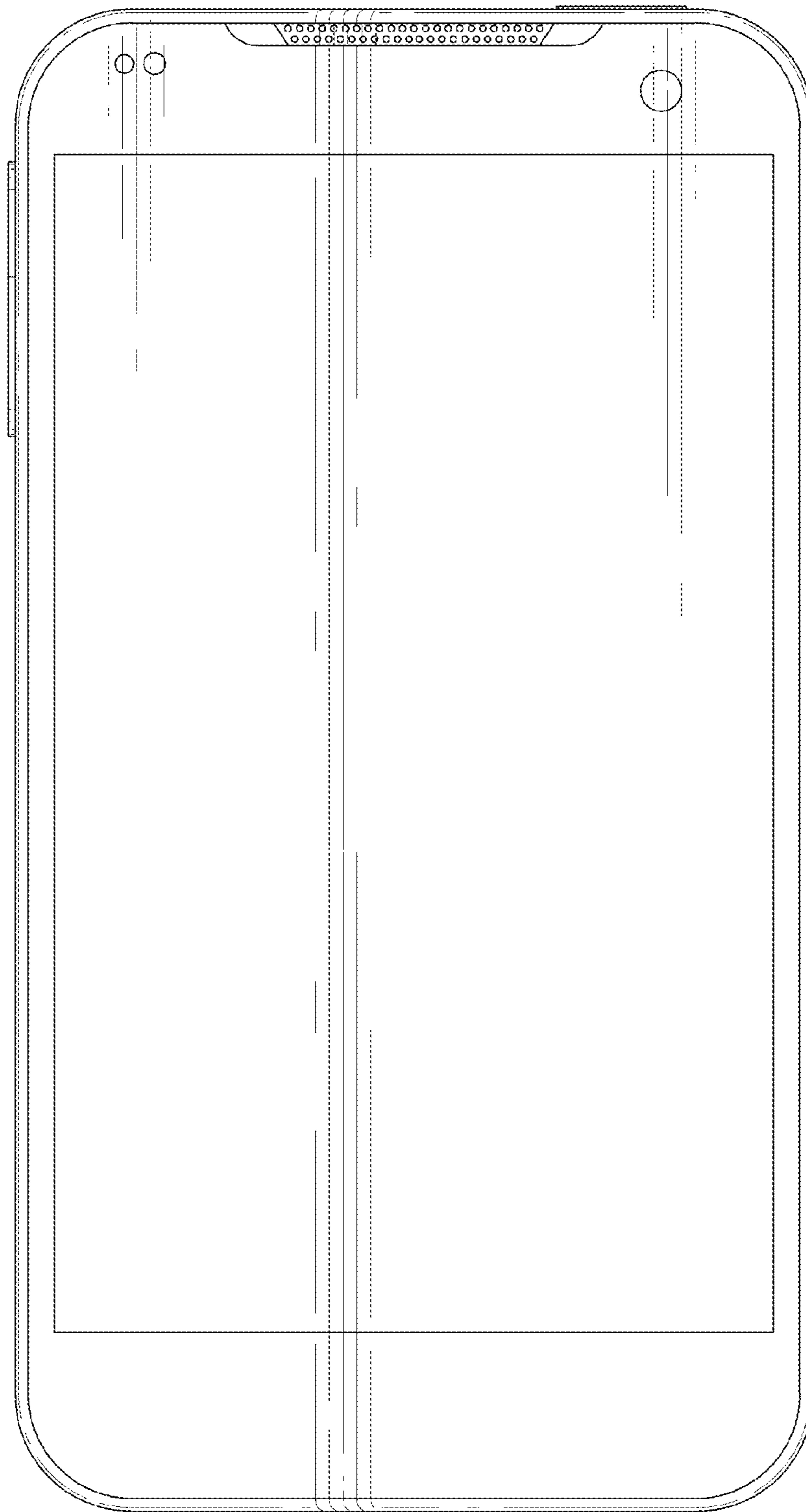


FIG. 3

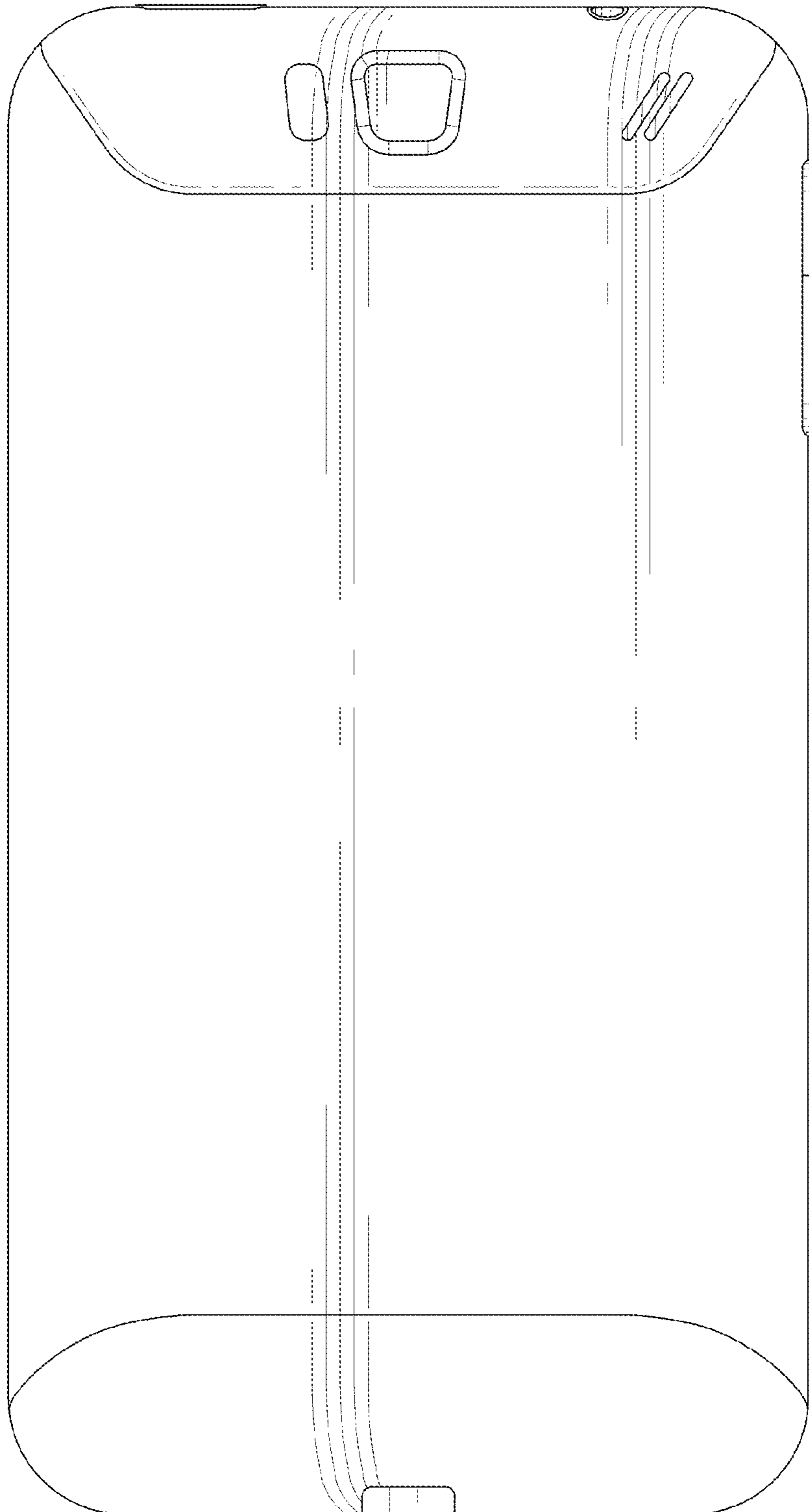


FIG. 4

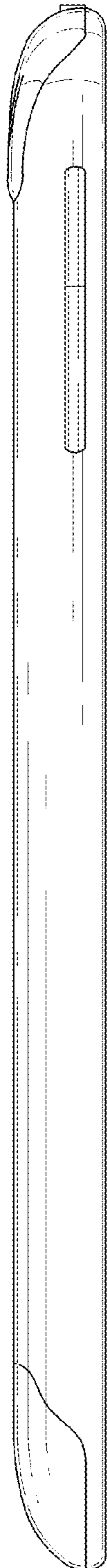


FIG. 5

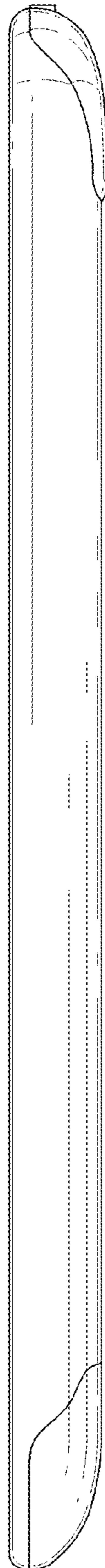


FIG. 6

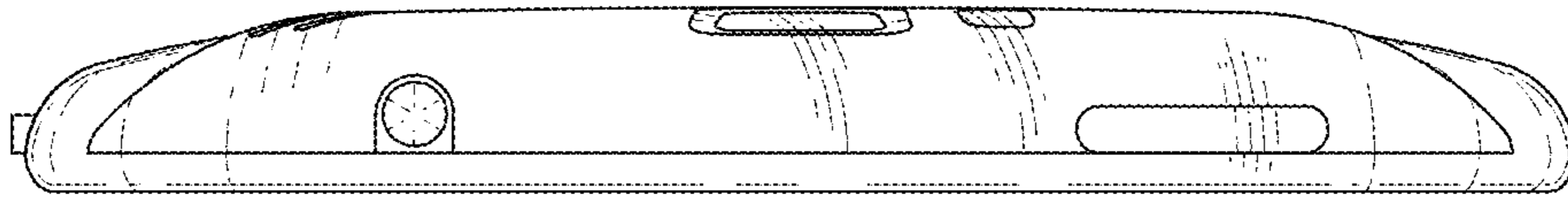


FIG. 7

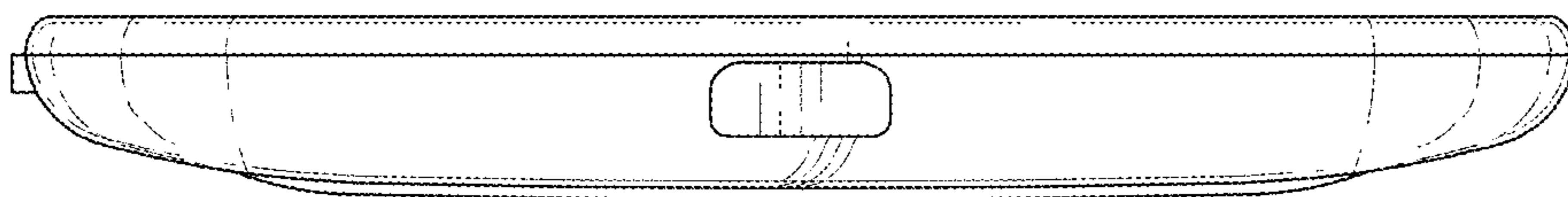


FIG. 8

