



US00D695254S

(12) **United States Design Patent**
Hong

(10) **Patent No.:** **US D695,254 S**

(45) **Date of Patent:** **** Dec. 10, 2013**

(54) **MOBILE TERMINAL**

(75) Inventor: **Jae-Hyung Hong**, Seoul (KR)

(73) Assignee: **Samsung Electronics Co., Ltd.**,
Suwon-si (KR)

(**) Term: **14 Years**

(21) Appl. No.: **29/425,560**

(22) Filed: **Jun. 25, 2012**

(30) **Foreign Application Priority Data**

Jan. 13, 2012 (KR) 30-2012-001859

(51) **LOC (9) Cl.** **14-03**

(52) **U.S. Cl.**
USPC **D14/138 G**

(58) **Field of Classification Search**
USPC D14/138 G, 138 AD, 341, 346, 138 R,
D14/138 AC, 496, 203.1, 203.4, 203.7, 248,
D14/218, 439; 455/575.1, 556.2, 575.3,
455/575.4; D21/517, 333; 379/433.01,
379/433.04; D10/65, 78, 104; D13/168,
D13/103; 361/679.3, 679.56

See application file for complete search history.

(56) **References Cited**

U.S. PATENT DOCUMENTS

D601,539 S * 10/2009 Hong D14/138 G
D628,179 S * 11/2010 Park et al. D14/138 G
D646,248 S * 10/2011 Lee D14/138 G
D646,252 S * 10/2011 Kim et al. D14/138 AD
D647,499 S * 10/2011 Page et al. D14/138 AD
D654,047 S * 2/2012 Kim et al. D14/138 G
D654,459 S * 2/2012 Kim D14/138 AD

D654,461 S * 2/2012 Kim et al. D14/138 AD
D654,899 S * 2/2012 Jung D14/138 G
D658,147 S * 4/2012 Yoon D14/138 G
D658,622 S * 5/2012 Lee et al. D14/138 AD
D660,273 S * 5/2012 Jung D14/138 AD
D663,708 S * 7/2012 Kim et al. D14/138 AD
D663,709 S * 7/2012 Kim et al. D14/138 AD
D666,569 S * 9/2012 Kim et al. D14/138 AD
D666,570 S * 9/2012 Kim et al. D14/138 G
D666,573 S * 9/2012 Kim et al. D14/138 AD
D669,445 S * 10/2012 Yeon et al. D14/138 AD

(Continued)

OTHER PUBLICATIONS

Samsung Google Nexus S telephone, announced Dec. 2010, [online],
[site visited Jun. 29, 2012]. Available from Internet, <URL: http://www.gsmarena.com/samsung_google_nexus_s-3620.php>.*

(Continued)

Primary Examiner — Jeffrey D Asch

(74) *Attorney, Agent, or Firm* — NSIP Law

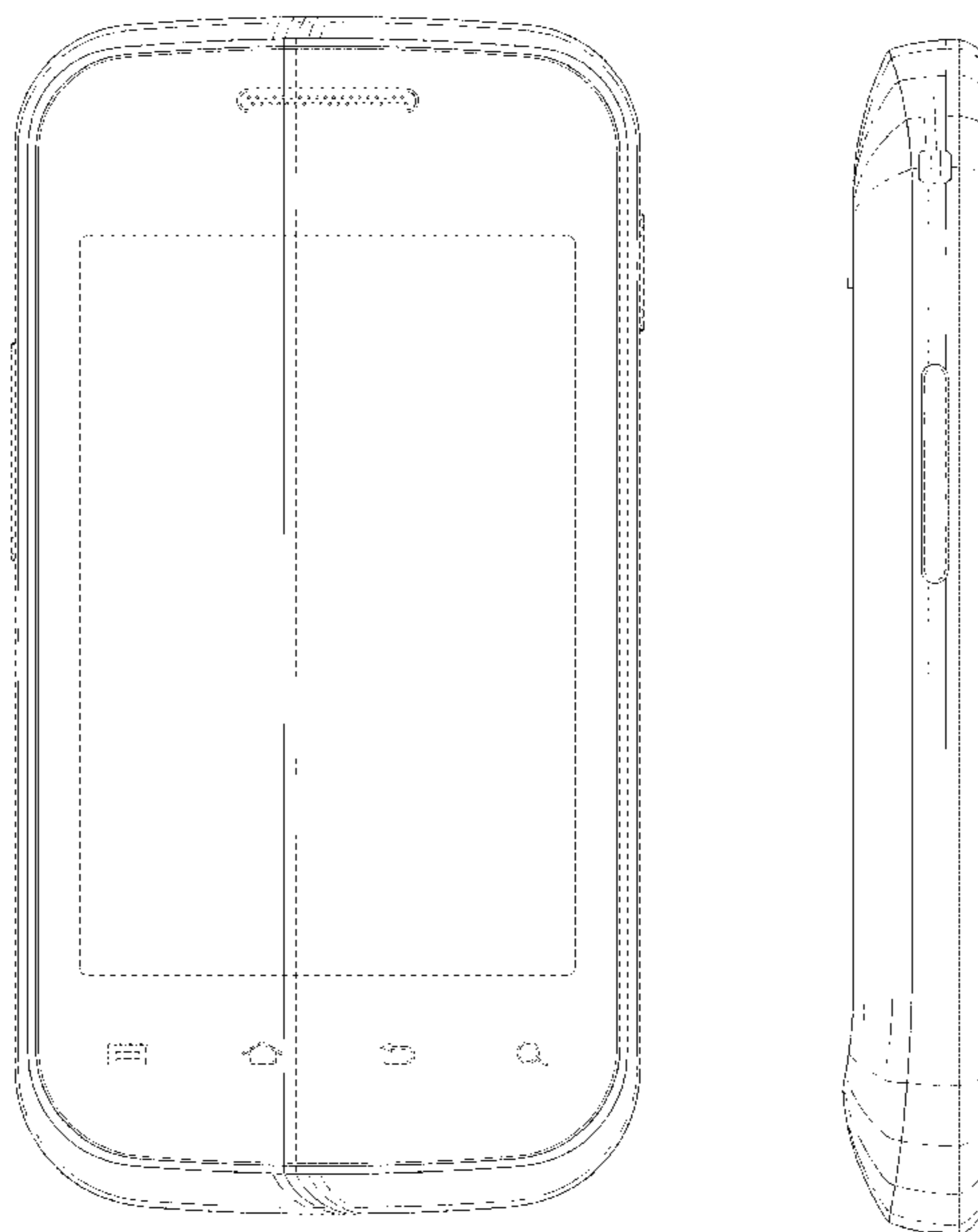
(57) **CLAIM**

The ornamental design for a mobile terminal, as shown and described.

DESCRIPTION

FIG. 1 is a front perspective view of a mobile terminal;
FIG. 2 is a front view of the mobile terminal of FIG. 1;
FIG. 3 is a rear view of the mobile terminal of FIG. 1;
FIG. 4 is a left-side view of the mobile terminal of FIG. 1;
FIG. 5 is a right-side view of the mobile terminal of FIG. 1;
FIG. 6 is a top plan view of the mobile terminal of FIG. 1; and,
FIG. 7 is a bottom plan view of the mobile terminal of FIG. 1.
Features shown in broken lines in FIGS. 1 and 2 form no part
of the claimed design.

1 Claim, 5 Drawing Sheets



(56)

References Cited

U.S. PATENT DOCUMENTS

D671,086	S	*	11/2012	Yu et al.	D14/138	G
D671,087	S	*	11/2012	Chiang et al.	D14/138	G
D676,821	S	*	2/2013	Jeong	D14/138	G
D676,824	S	*	2/2013	Lee	D14/138	G
D680,992	S	*	4/2013	Suk	D14/138	G
D681,584	S	*	5/2013	Sung	D14/138	G
D681,588	S	*	5/2013	Jeong	D14/138	G
D681,590	S	*	5/2013	Han	D14/138	G
D681,595	S	*	5/2013	Kim	D14/138	G
D681,596	S	*	5/2013	Lee	D14/138	G
2011/0059774	A1	*	3/2011	Clift et al.	455/566	

OTHER PUBLICATIONS

Samsung I110 Illusion telephone, announced Nov. 2011, [online], [site visited Jun. 29, 2012]. Available from Internet, <URL: http://www.gsmarena.com/samsung_i110_illusion-4344.php>.*

Samsung Galaxy Discover S730M telephone, announced Nov. 2012, [online], [site visited Jun. 29, 2012]. Available from Internet, <URL:

http://www.gsmarena.com/samsung_galaxy_discover_s730m-5111.php>.*

HTC One VX telephone, announced Oct. 2012, [online], [site visited Jun. 29, 2012]. Available from Internet, <URL: http://www.gsmarena.com/htc_one_vx-5016.php>.*

Huawei Ascend G300 telephone, announced Feb. 2012, [online], [site visited Jun. 29, 2012]. Available from Internet, <URL: http://www.gsmarena.com/huawei_ascend_g300-4594.php>.*

T-Mobile Prism telephone, announced May 2012, [online], [site visited Jun. 29, 2012]. Available from Internet, <URL: http://www.gsmarena.com/t_mobile_prism-4736.php>.*

ZTE Orbit telephone, announced Feb. 2012, [online], [site visited Jun. 29, 2012]. Available from Internet, <URL: http://www.gsmarena.com/zte_orbit-4585.php>.*

Verykool s735 telephone, announced 2012, [online], [site visited Jun. 29, 2012]. Available from Internet, <URL: http://www.gsmarena.com/verykool_s735-5143.php>.*

Yezz Andy 3G 4.0 YZ1120 telephone, announced Jun. 2012, [online], [site visited Jun. 29, 2012]. Available from Internet, <URL: http://www.gsmarena.com/yezz_andy_3g_4_0_yz1120-4925.php>.*

* cited by examiner

FIG. 1

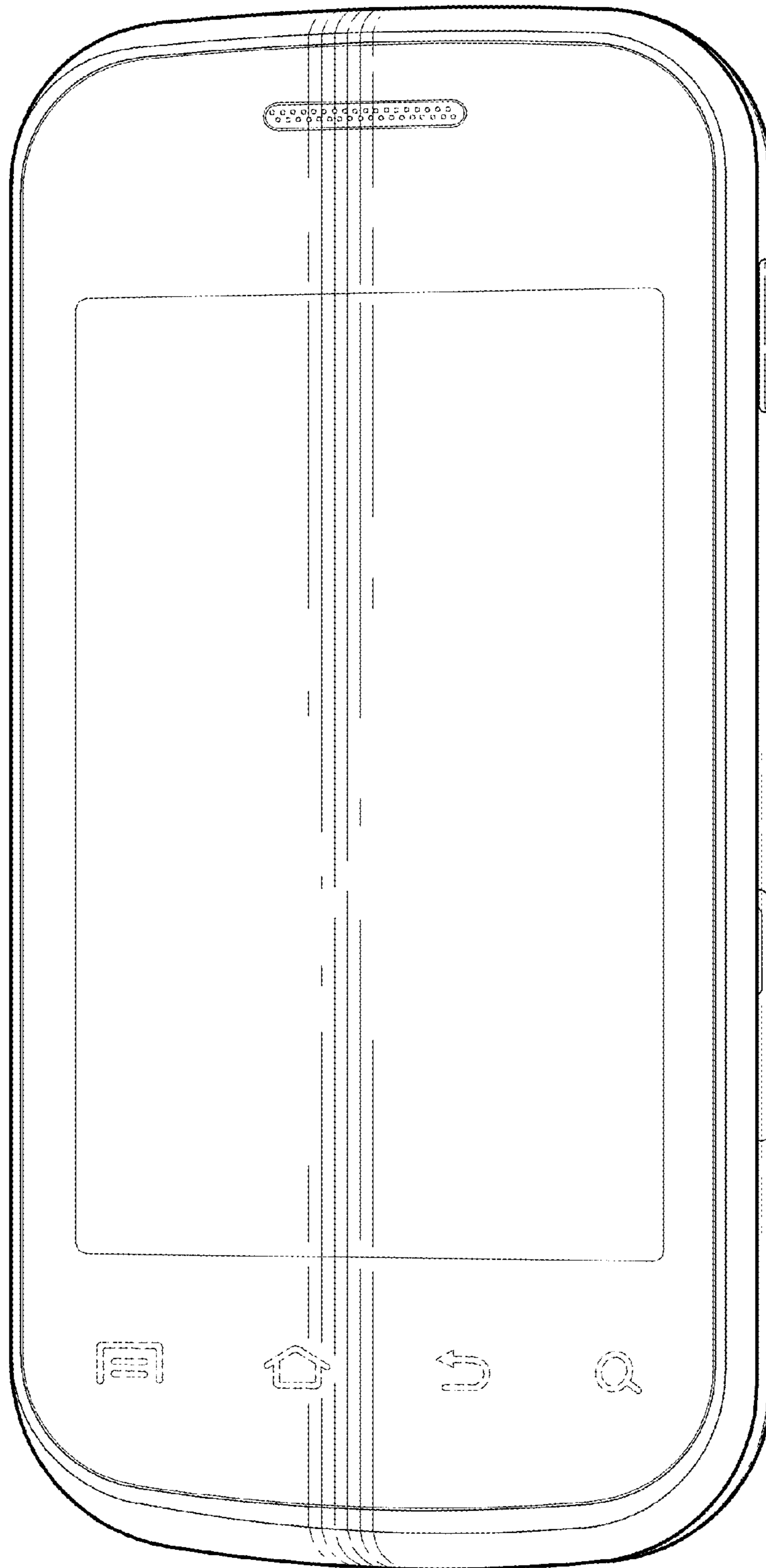


FIG. 2

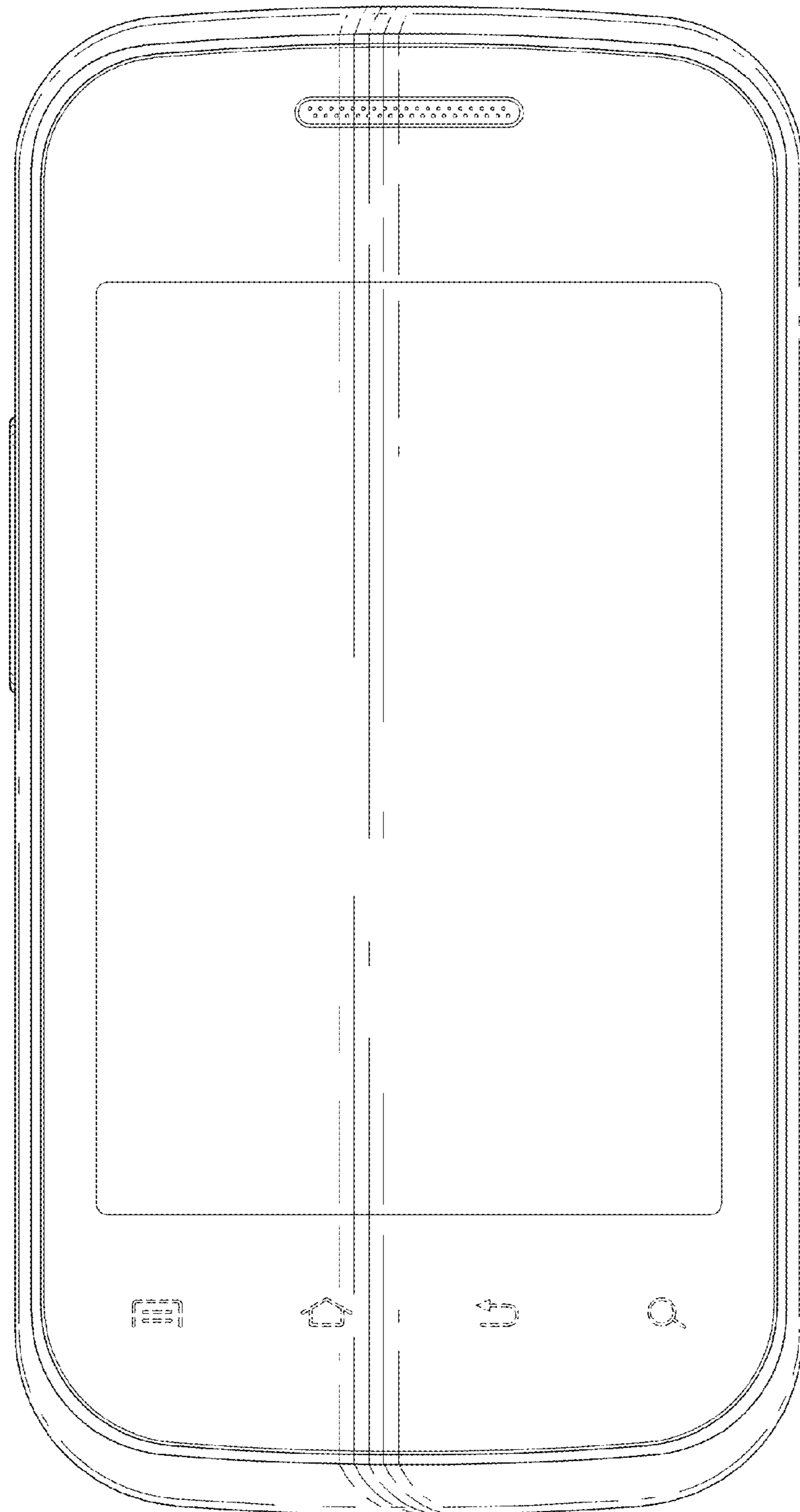


FIG. 3

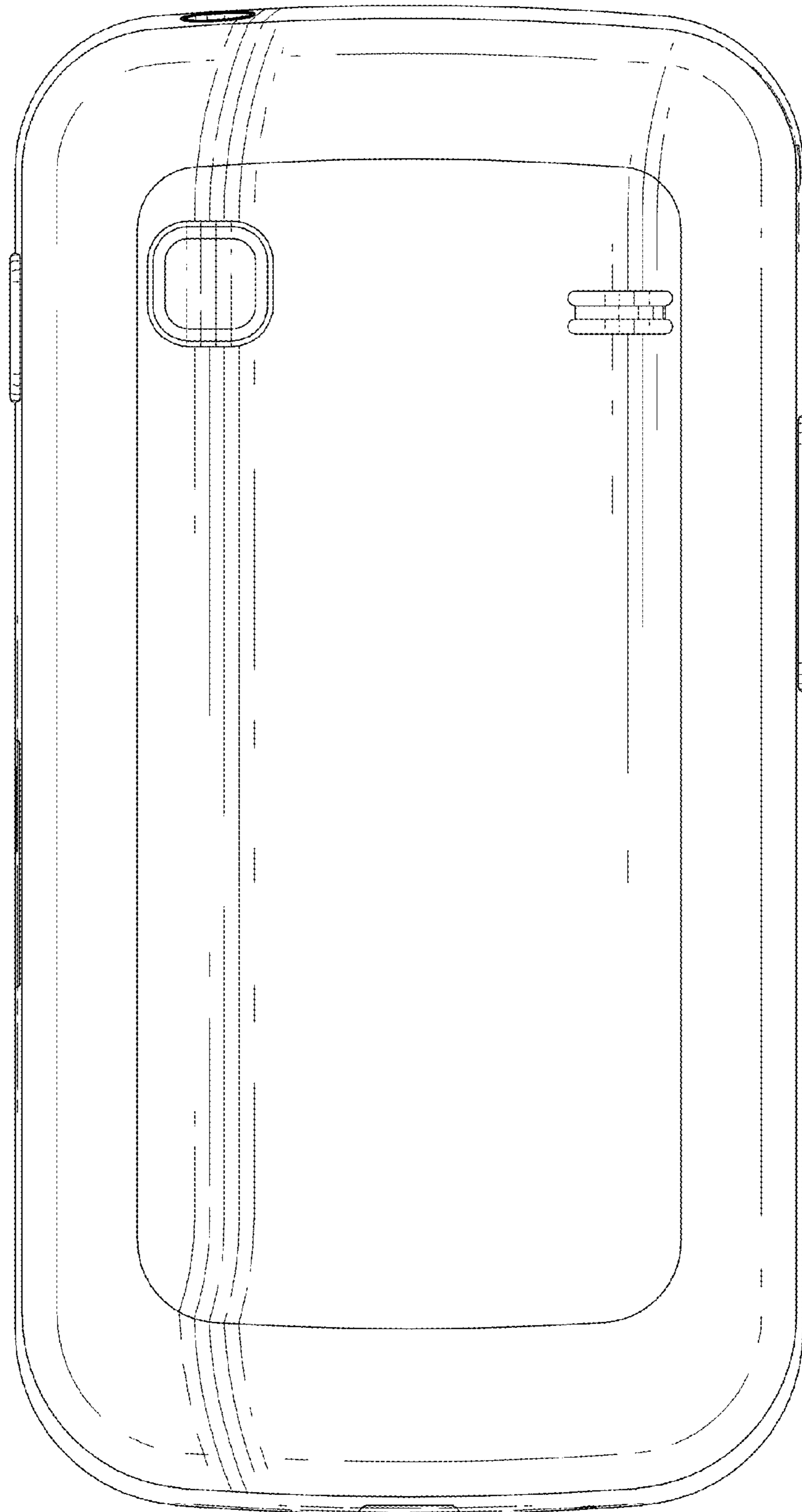


FIG. 4

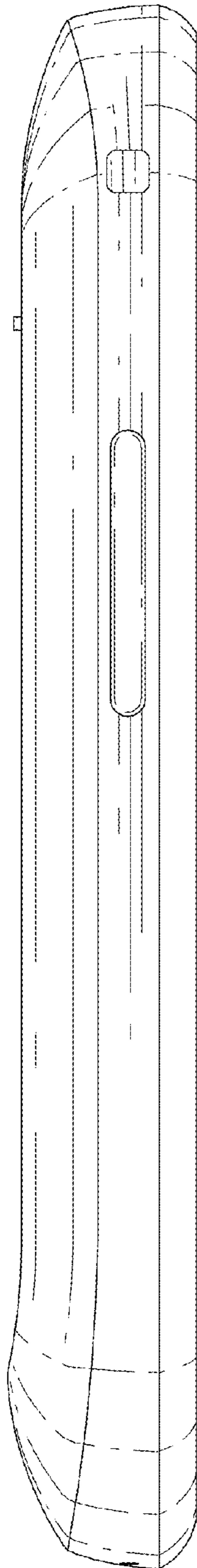


FIG. 5

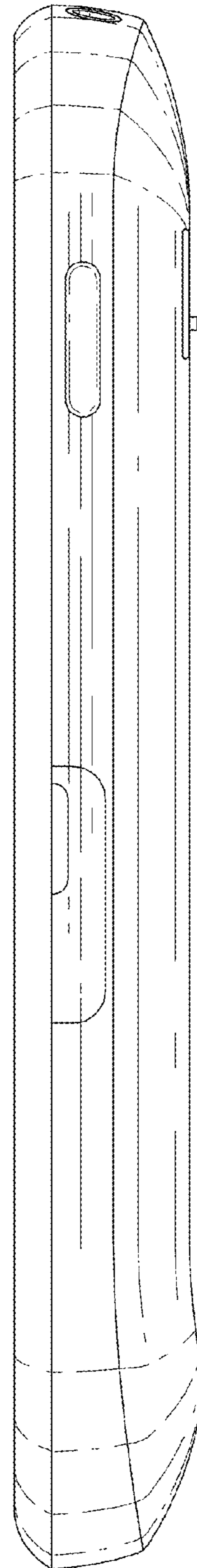


FIG. 6

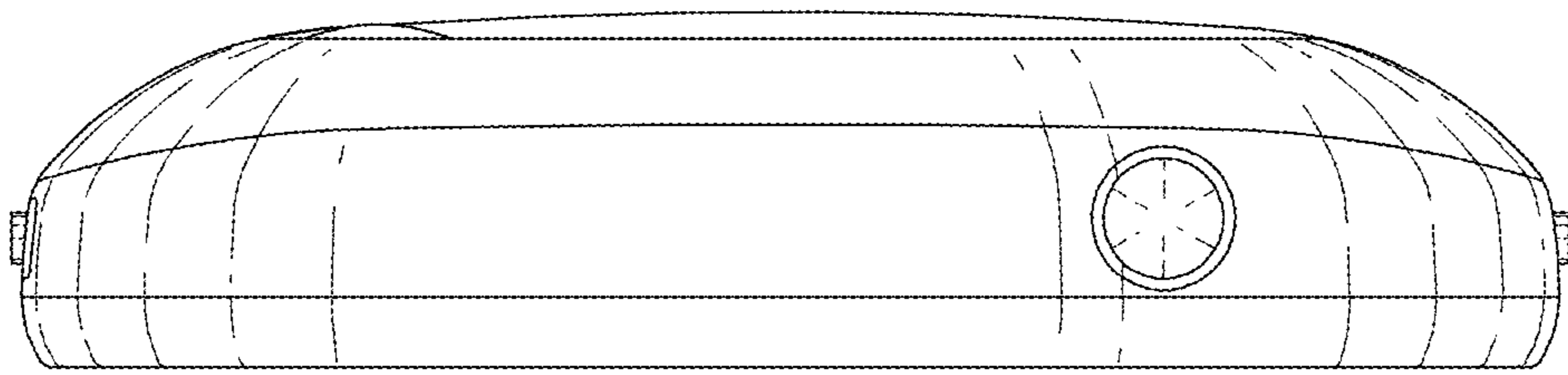


FIG. 7

