

US00D695245S

(12) **United States Design Patent**  
**Hara et al.**

(10) **Patent No.:** **US D695,245 S**

(45) **Date of Patent:** **\*\* Dec. 10, 2013**

(54) **FLAT-PANEL DISPLAY DEVICE**

(56) **References Cited**

(71) Applicant: **Sanyo Electric Co., Ltd.**, Moriguchi (JP)

U.S. PATENT DOCUMENTS

(72) Inventors: **Toshio Hara**, Takarazuka (JP);  
**Yoshiteru Oda**, Hirakata (JP); **Masaki Hase**, Osaka (JP)

D412,891 S *	8/1999	Sumii .....	D14/374
D620,461 S *	7/2010	Han et al. ....	D14/126
D634,723 S *	3/2011	Park et al. ....	D14/126
D643,000 S *	8/2011	Ryu et al. ....	D14/126
D646,244 S *	10/2011	Araki .....	D14/126
D668,237 S *	10/2012	Chino et al. ....	D14/126
D680,089 S *	4/2013	Cho et al. ....	D14/126

(73) Assignee: **Sanyo Electric Co., Ltd.**, Moriguchi-Shi, Osaka (JP)

\* cited by examiner

(\*\*) Term: **14 Years**

*Primary Examiner* — Raphael Barkai

(21) Appl. No.: **29/450,513**

(74) *Attorney, Agent, or Firm* — McDermott Will & Emery LLP

(22) Filed: **Mar. 18, 2013**

(51) **LOC (9) Cl.** ..... **14-03**

(52) **U.S. Cl.**  
USPC ..... **D14/126**

(57) **CLAIM**

The ornamental design for a flat-panel display device, as shown and described.

(58) **Field of Classification Search**  
USPC ..... D14/125–134, 239, 371, 136, 374–377, D14/440, 450, 448, 336, 342, 159; 312/7.2; 348/836, 838, 180, 184, 325, 739; 341/12; 248/917–924, 465; 345/104, 345/133, 156, 168, 87, 173; 720/605, 669, 720/600, 655; 369/99, 197; D21/329, 515, D21/577, 622, 333, 433, 448, 452, 450, D21/331; D6/477, 479, 300–310; 273/148 B; 446/484, 175, 356; D10/15, D10/26

**DESCRIPTION**

FIG. 1 is a perspective view of a flat-panel display device showing our new designs;  
FIG. 2 is a front elevational view thereof;  
FIG. 3 is a rear elevational view thereof;  
FIG. 4 is a left side elevational view thereof;  
FIG. 5 is a right side elevational view thereof;  
FIG. 6 is a top plan view thereof; and,  
FIG. 7 is a bottom plan view thereof.

See application file for complete search history.

**1 Claim, 3 Drawing Sheets**

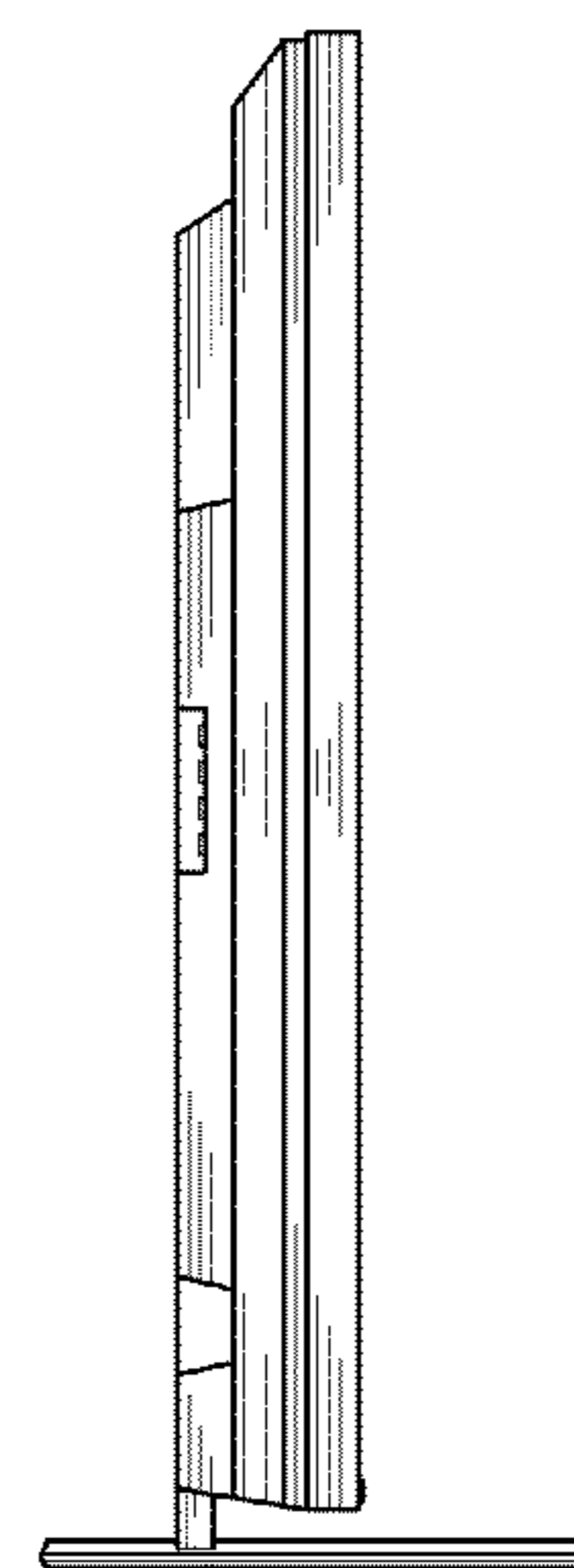
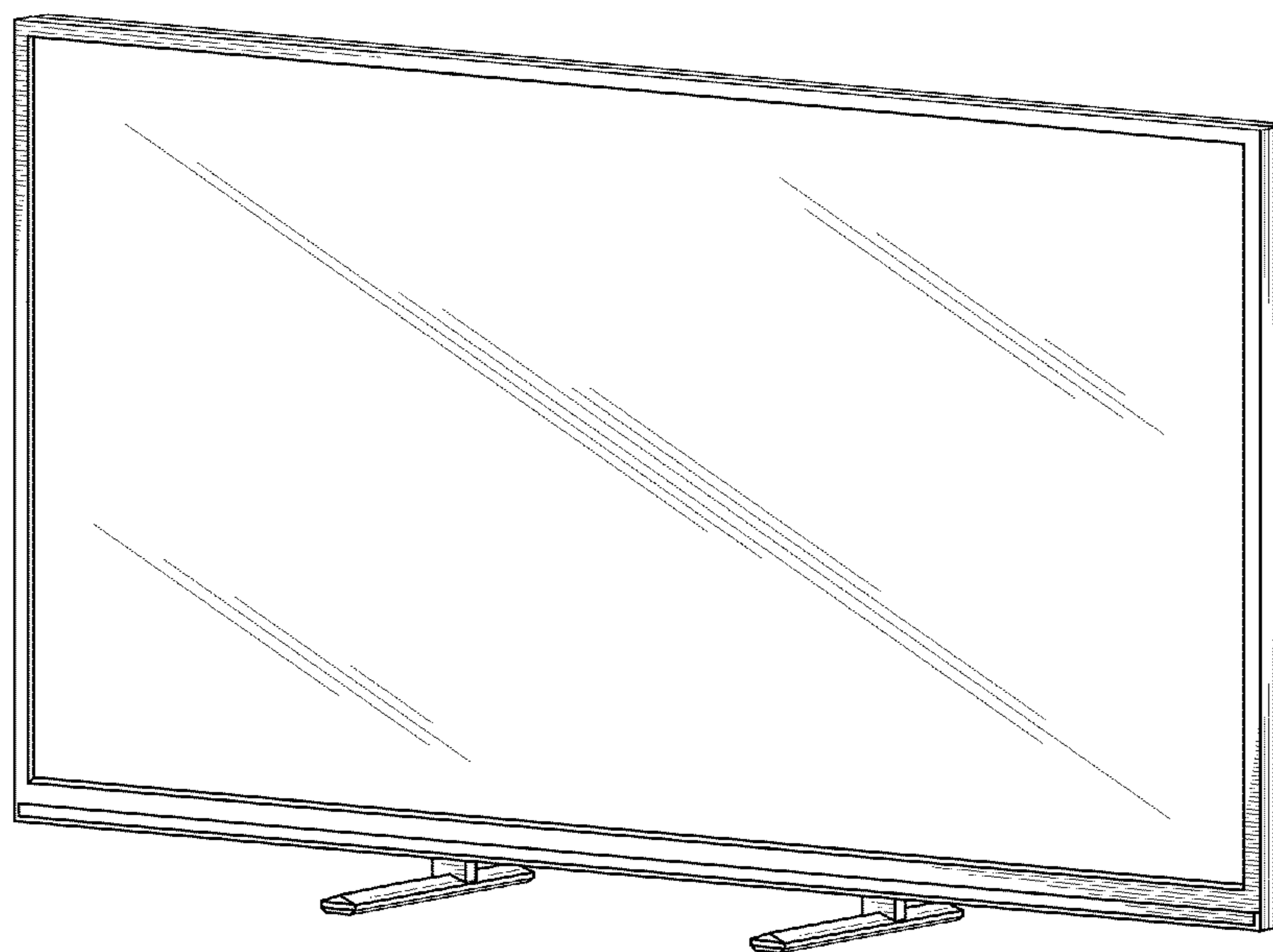


FIG. 1

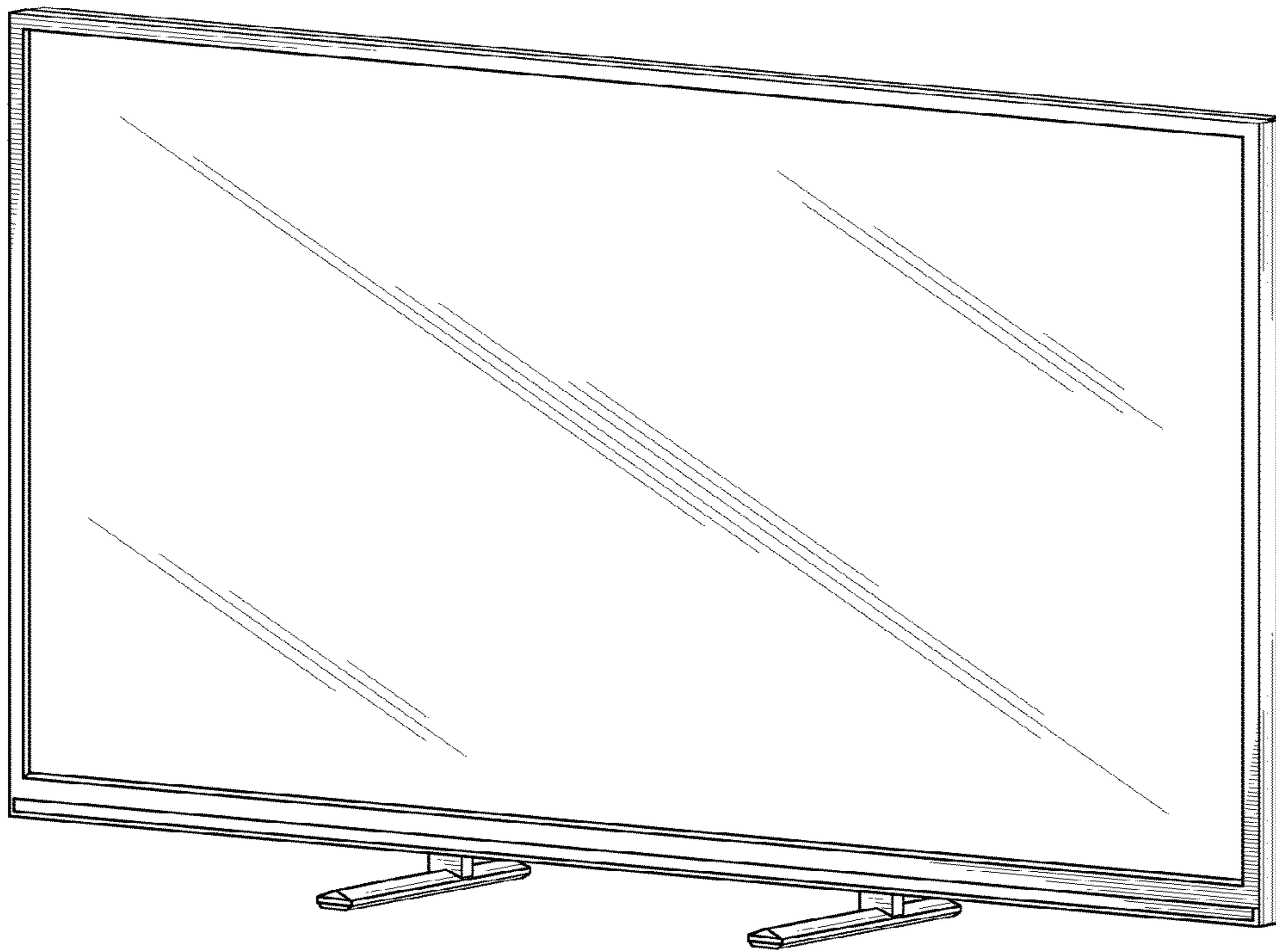


FIG. 2

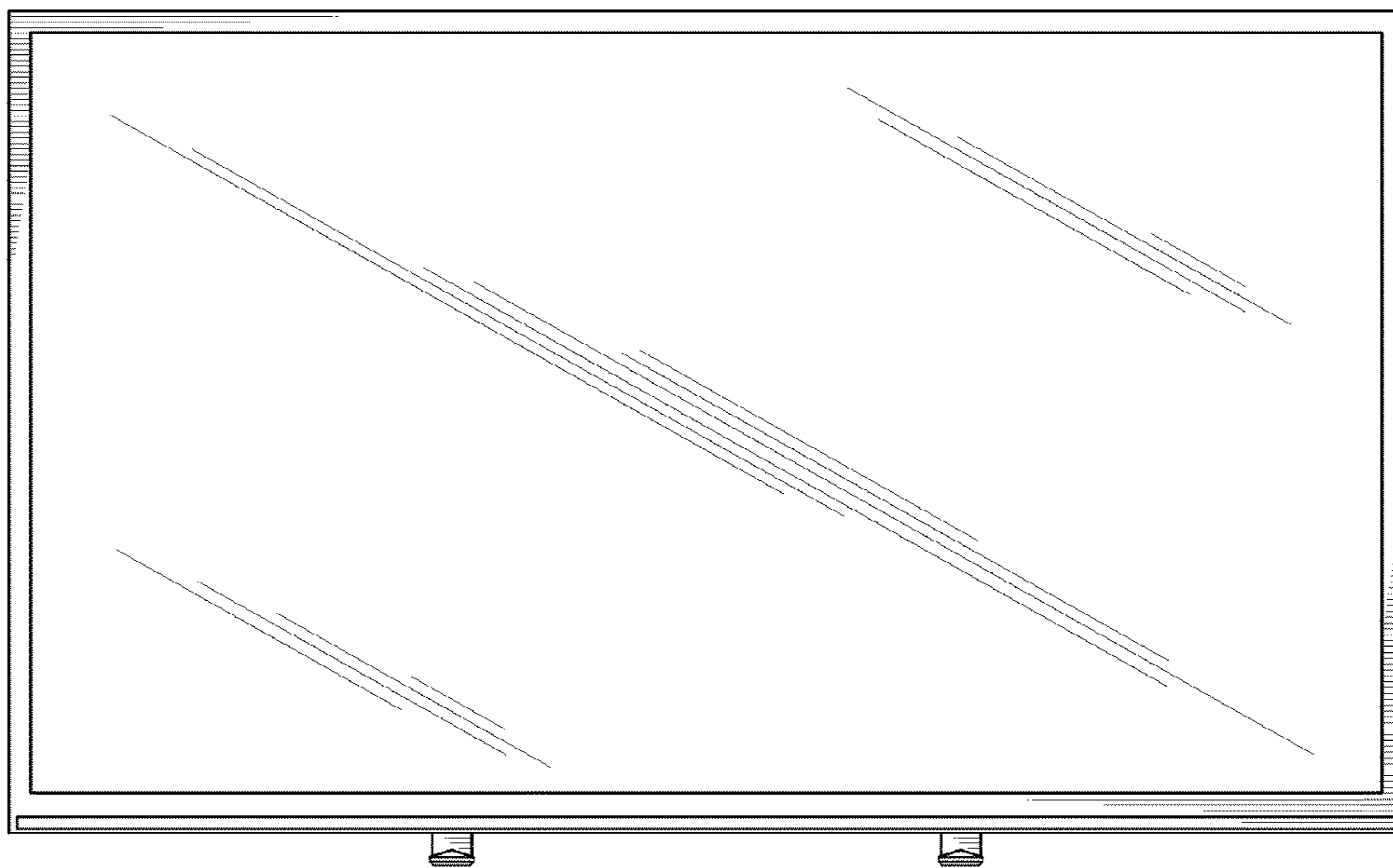


FIG. 3

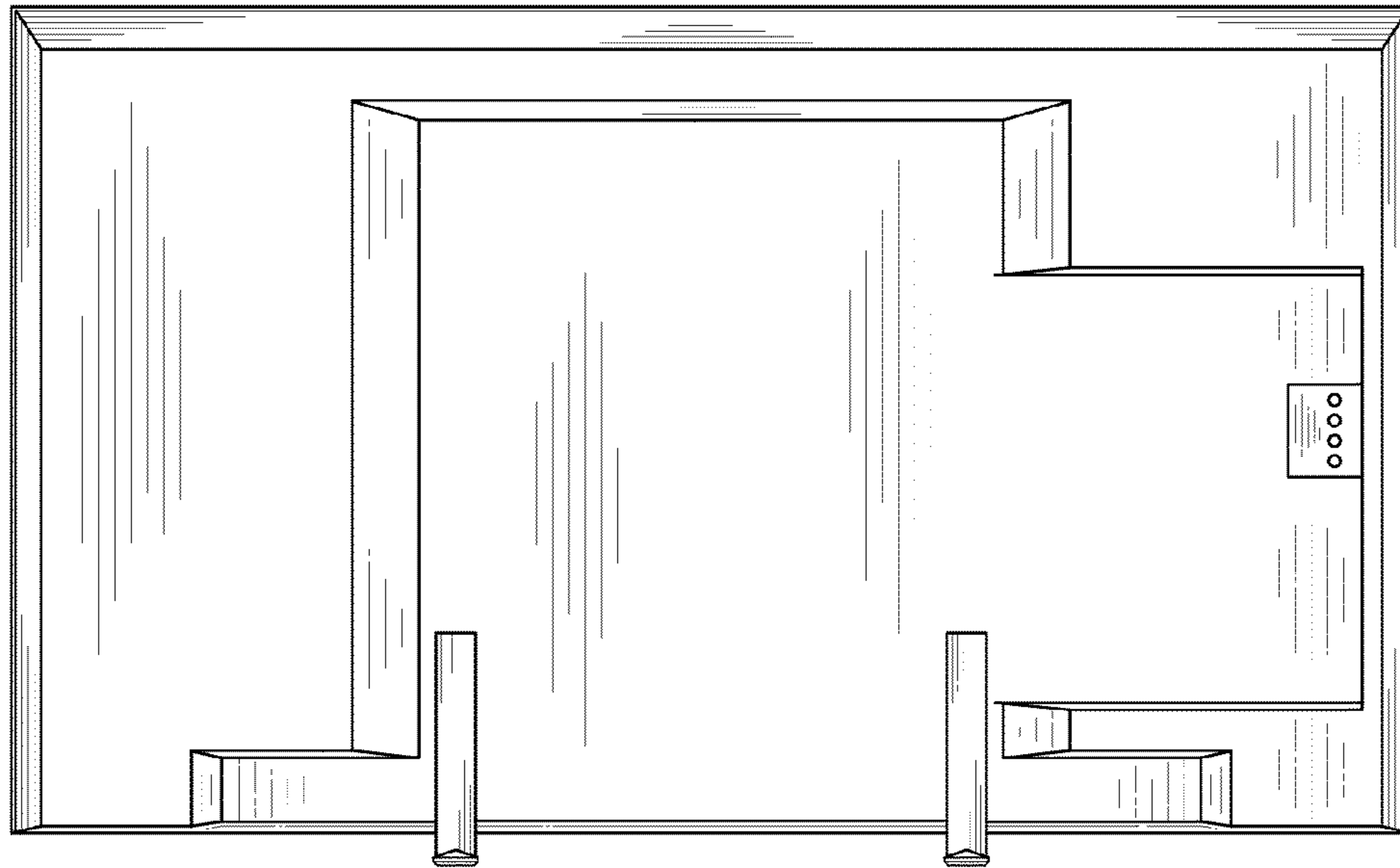


FIG. 4

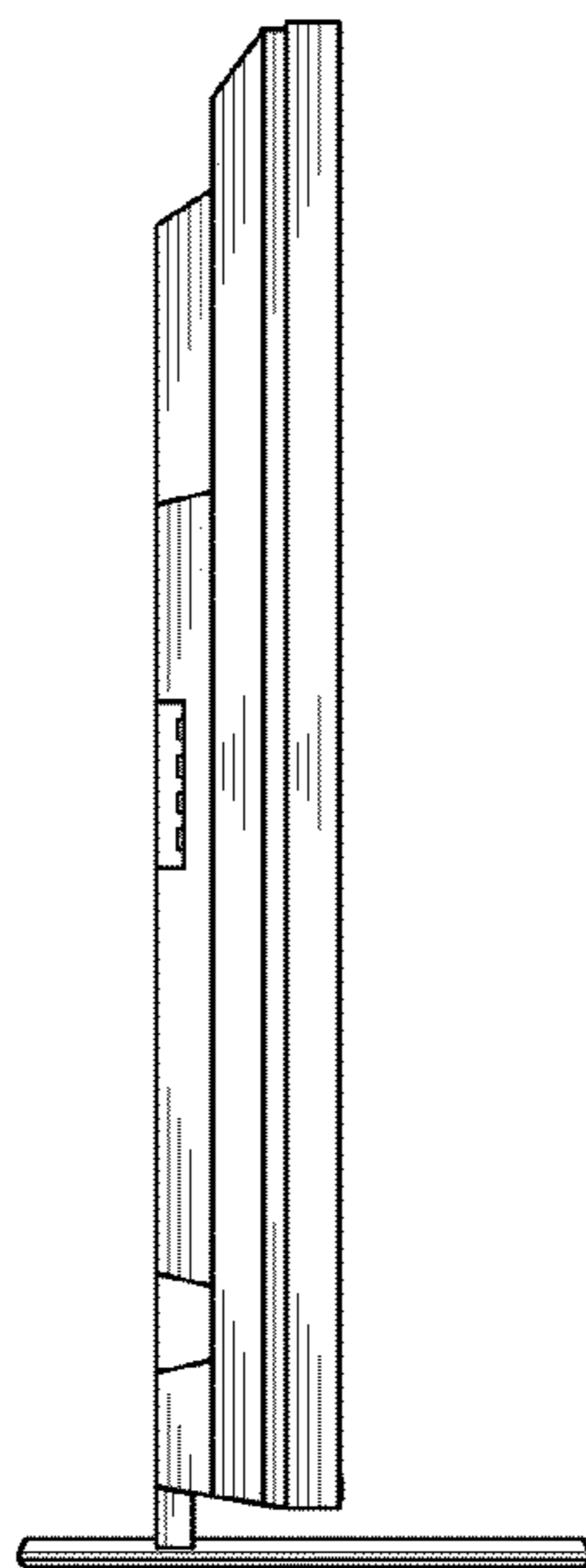


FIG. 5

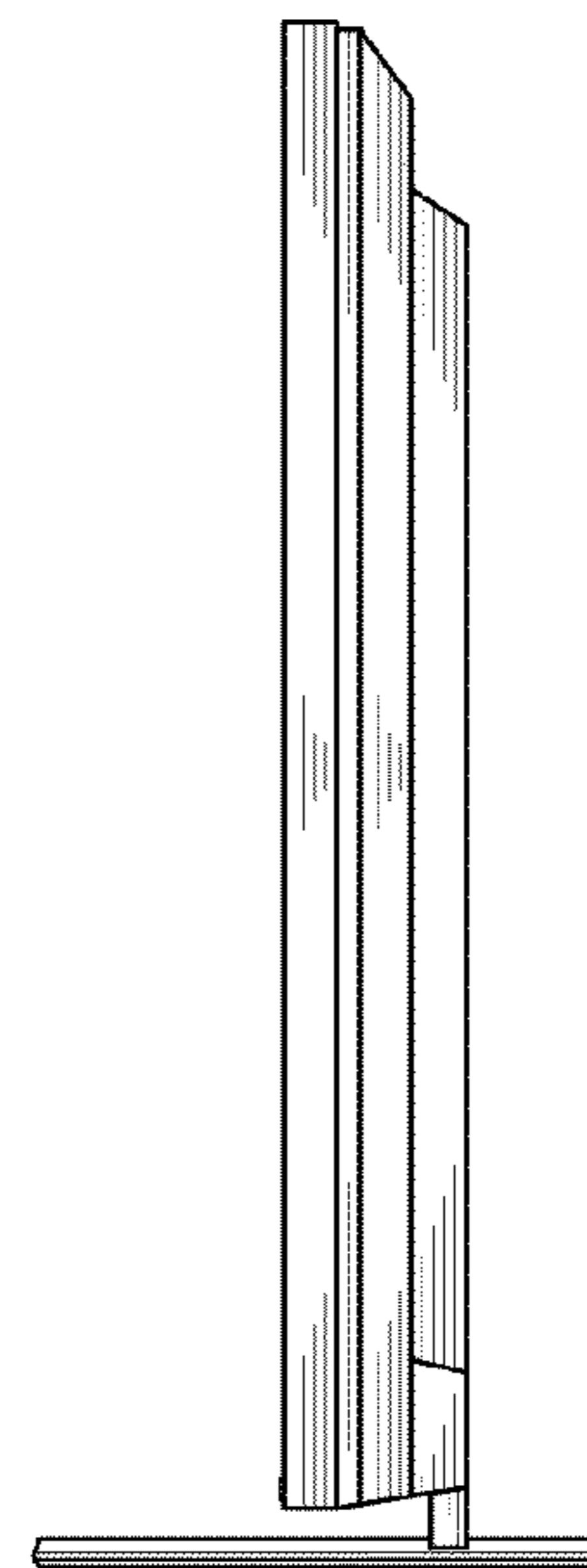


FIG. 6

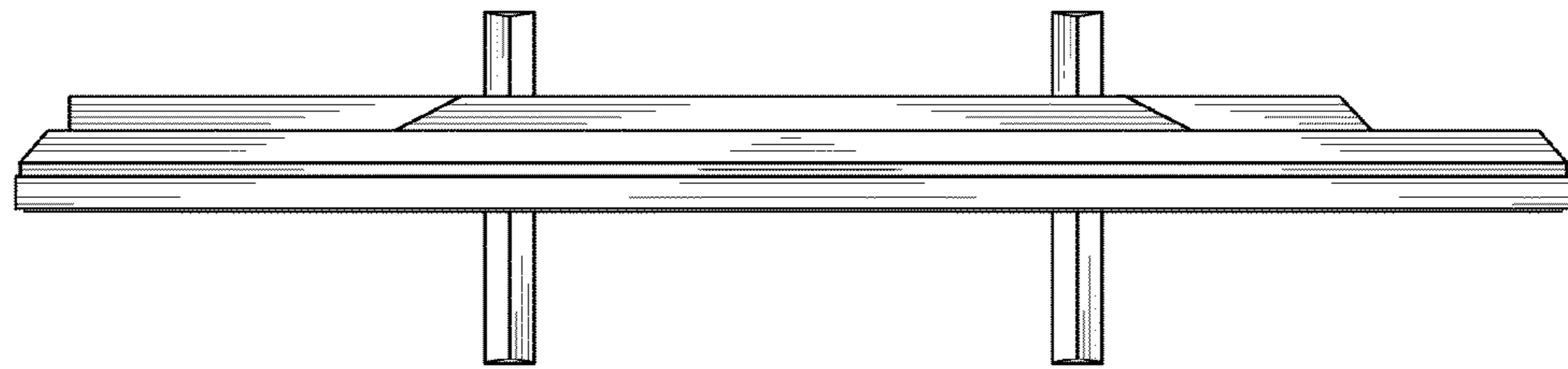


FIG. 7

