



US00D695244S

(12) **United States Design Patent**
Wolff et al.

(10) **Patent No.:** **US D695,244 S**

(45) **Date of Patent:** **** Dec. 10, 2013**

(54) **DISPLAY**

(71) Applicant: **Hewlett-Packard Development Company, L.P.**, Houston, TX (US)

(72) Inventors: **Stacy L. Wolff**, Houston, TX (US);
Peter K. Lee, San Jose, CA (US);
Matthew G. Leck, London (GB);
Marcus A. Hoggarth, St. Albans (GB)

(73) Assignee: **Hewlett-Packard Development Company, L.P.**, Houston, TX (US)

(**) Term: **14 Years**

(21) Appl. No.: **29/446,877**

(22) Filed: **Feb. 28, 2013**

(51) **LOC (9) Cl.** **14-03**

(52) **U.S. Cl.**
USPC **D14/126**

(58) **Field of Classification Search**
USPC D14/125-134, 239, 371, 136, 374-377,
D14/440, 450, 448, 336, 342, 159; 312/7.2;
348/836, 838, 180, 184, 325, 739;
341/12; 248/917-924, 465; 345/104,
345/133, 156, 168, 87, 173; 720/605, 669,
720/600, 655; 369/99, 197; 455/344, 347;
D21/329, 515, 577, 622, 333, 433, 448,
D21/452, 450, 331; D6/477, 479, 300;
273/148 B; 446/484, 175, 356; D10/15,
D10/26

See application file for complete search history.

(56) **References Cited**

U.S. PATENT DOCUMENTS

D541,799 S * 5/2007 Andre et al. D14/375
D556,755 S * 12/2007 Lee et al. D14/375

D616,401 S * 5/2010 Choi D14/126
D638,013 S * 5/2011 Andre et al. D14/374
D642,145 S * 7/2011 Kim et al. D14/126
D658,190 S * 4/2012 Akana et al. D14/448
D670,256 S * 11/2012 Kim et al. D14/126
D682,797 S * 5/2013 Lee et al. D14/126
D684,944 S * 6/2013 Seong D14/126
2006/0237599 A1* 10/2006 Ternus et al. 248/176.1

* cited by examiner

Primary Examiner — Raphael Barkai

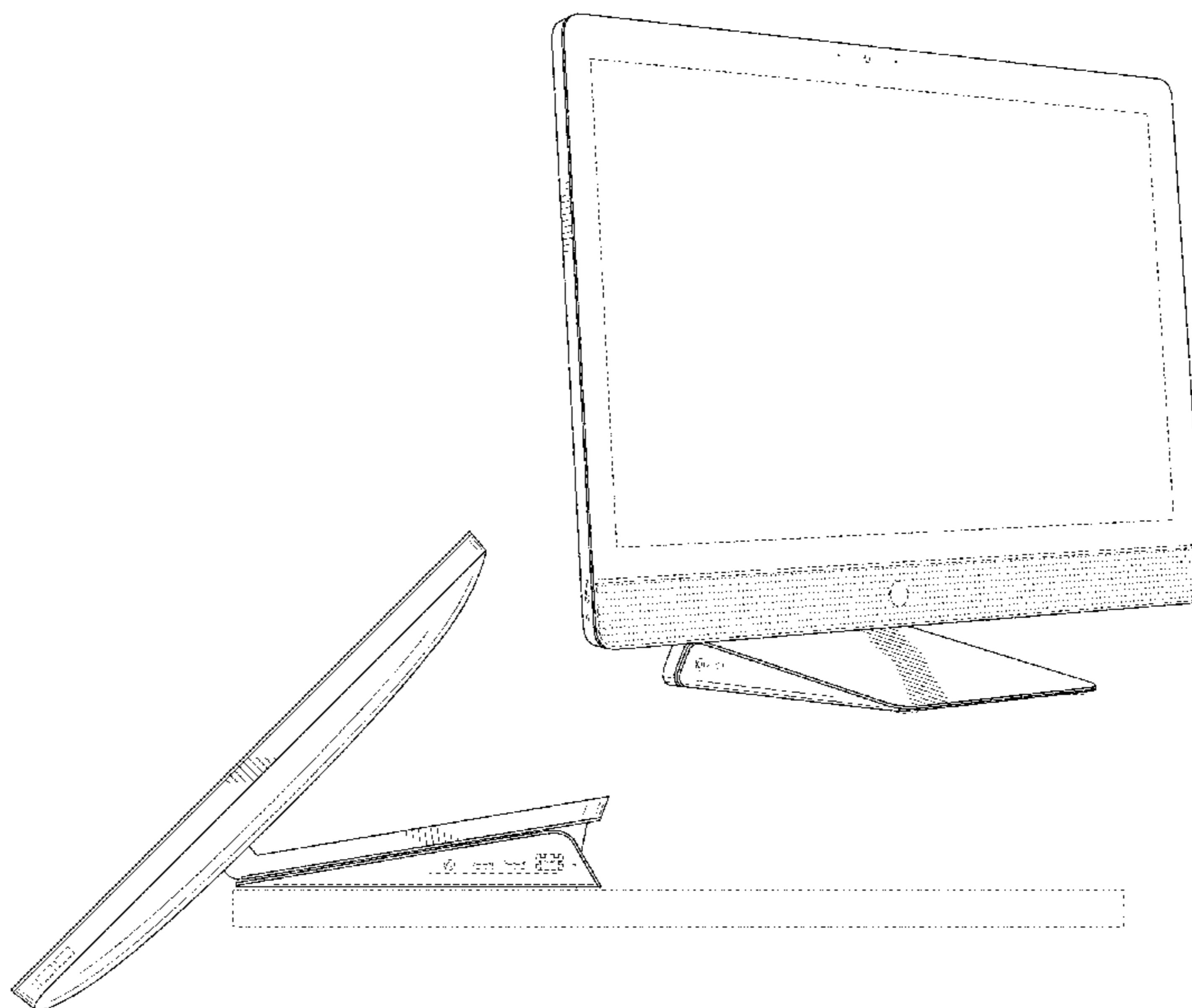
(57) **CLAIM**

We claim the ornamental design for a display, as shown and described.

DESCRIPTION

FIG. 1 is a front perspective view of a display in a vertical position;
FIG. 2 is a front view thereof;
FIG. 3 is a rear view thereof;
FIG. 4 is a right side view thereof;
FIG. 5 is a left side view thereof;
FIG. 6 is a top view thereof;
FIG. 7 is a bottom view thereof;
FIG. 8 is a right side view of the display in a support overhang position;
FIG. 9 is a front perspective view of the display of FIG. 8;
FIG. 10 is a front perspective view of the display in a down position;
FIG. 11 is a front perspective view of the display in a horizontal position; and,
FIG. 12 is a rear perspective view of the display in the vertical position.
The broken lines in the drawings are for illustrative purposes only and form no part of the claimed design.

1 Claim, 12 Drawing Sheets



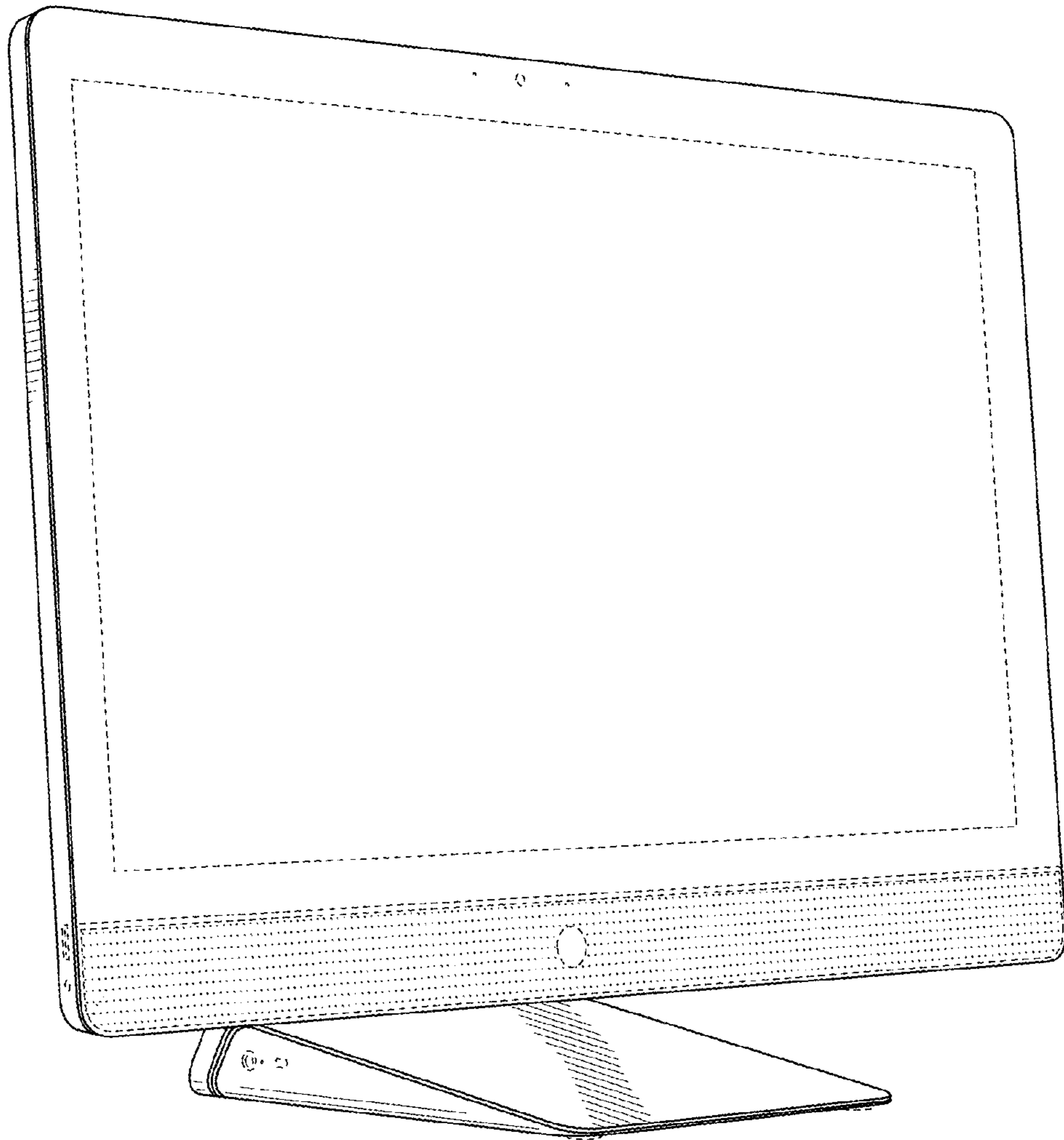


FIG. 1

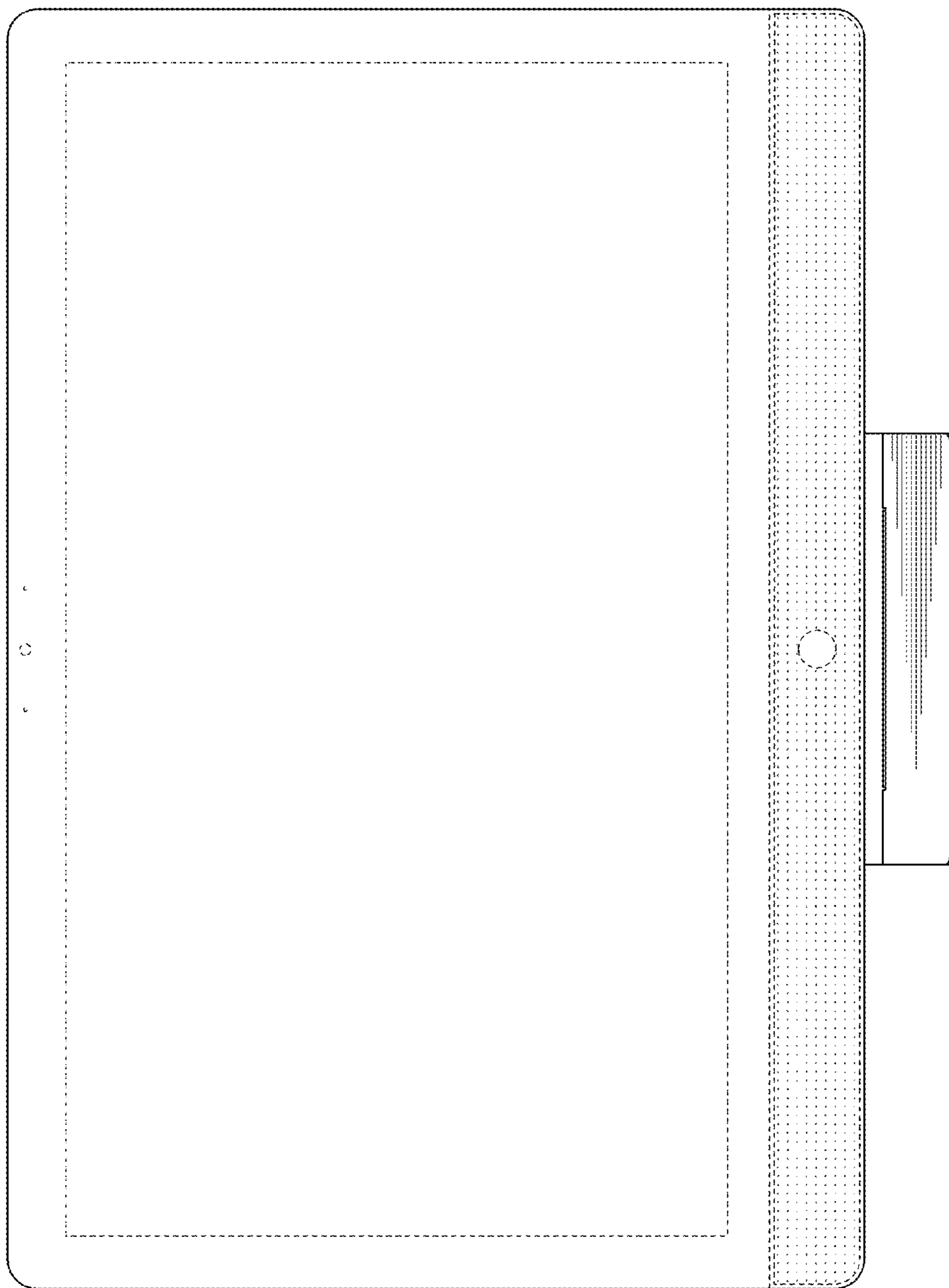


FIG. 2

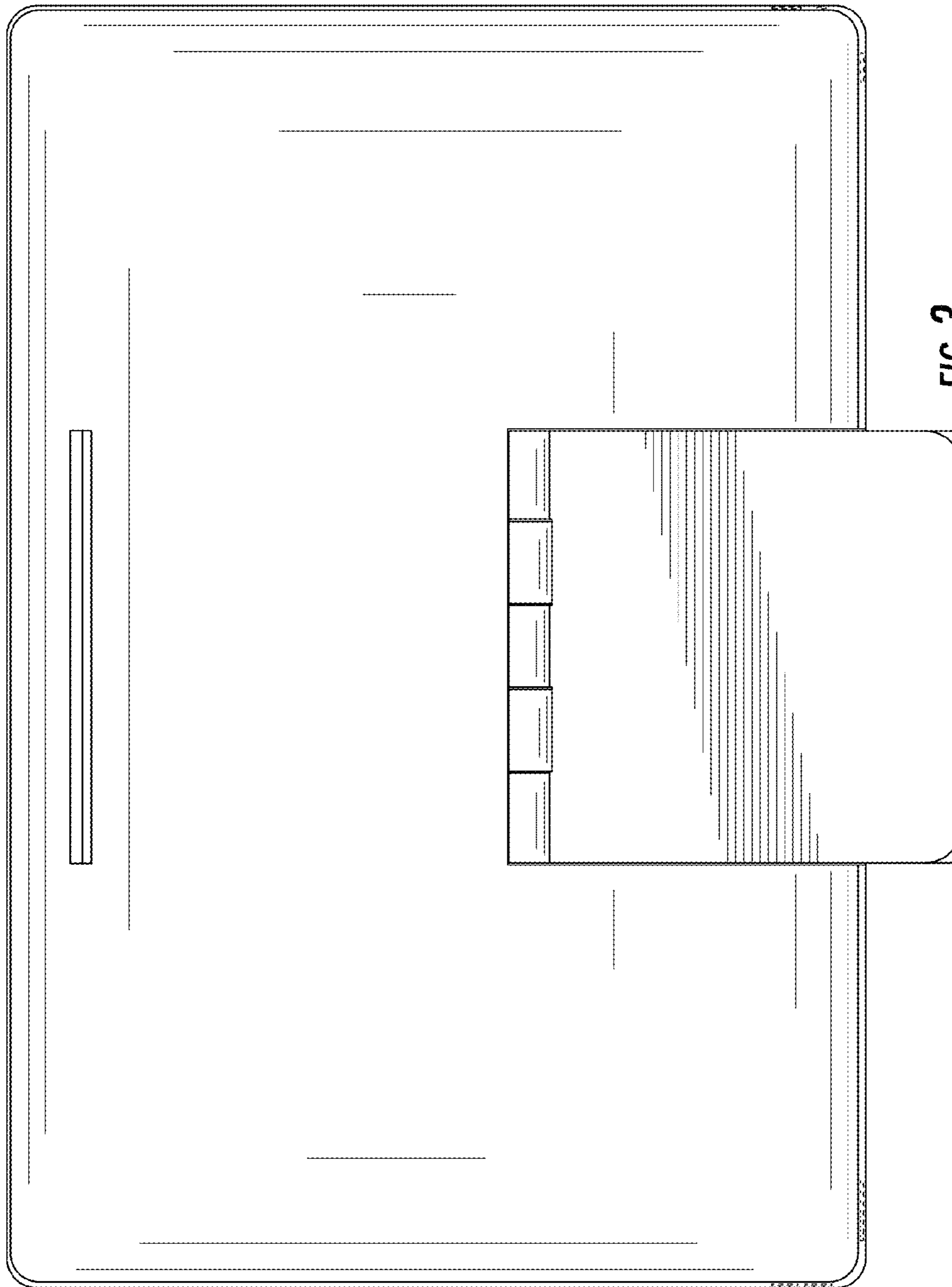


FIG. 3

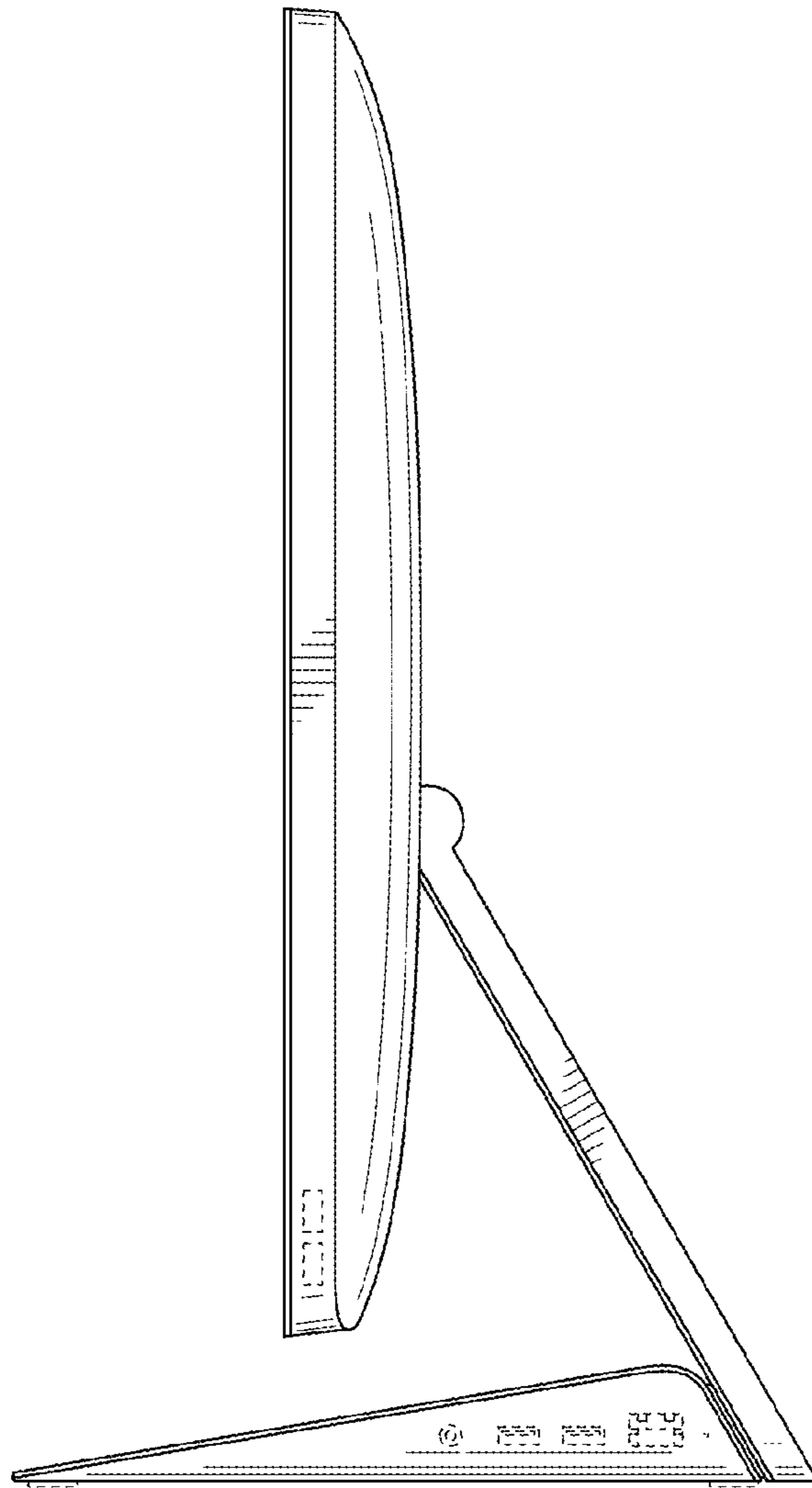


FIG. 4

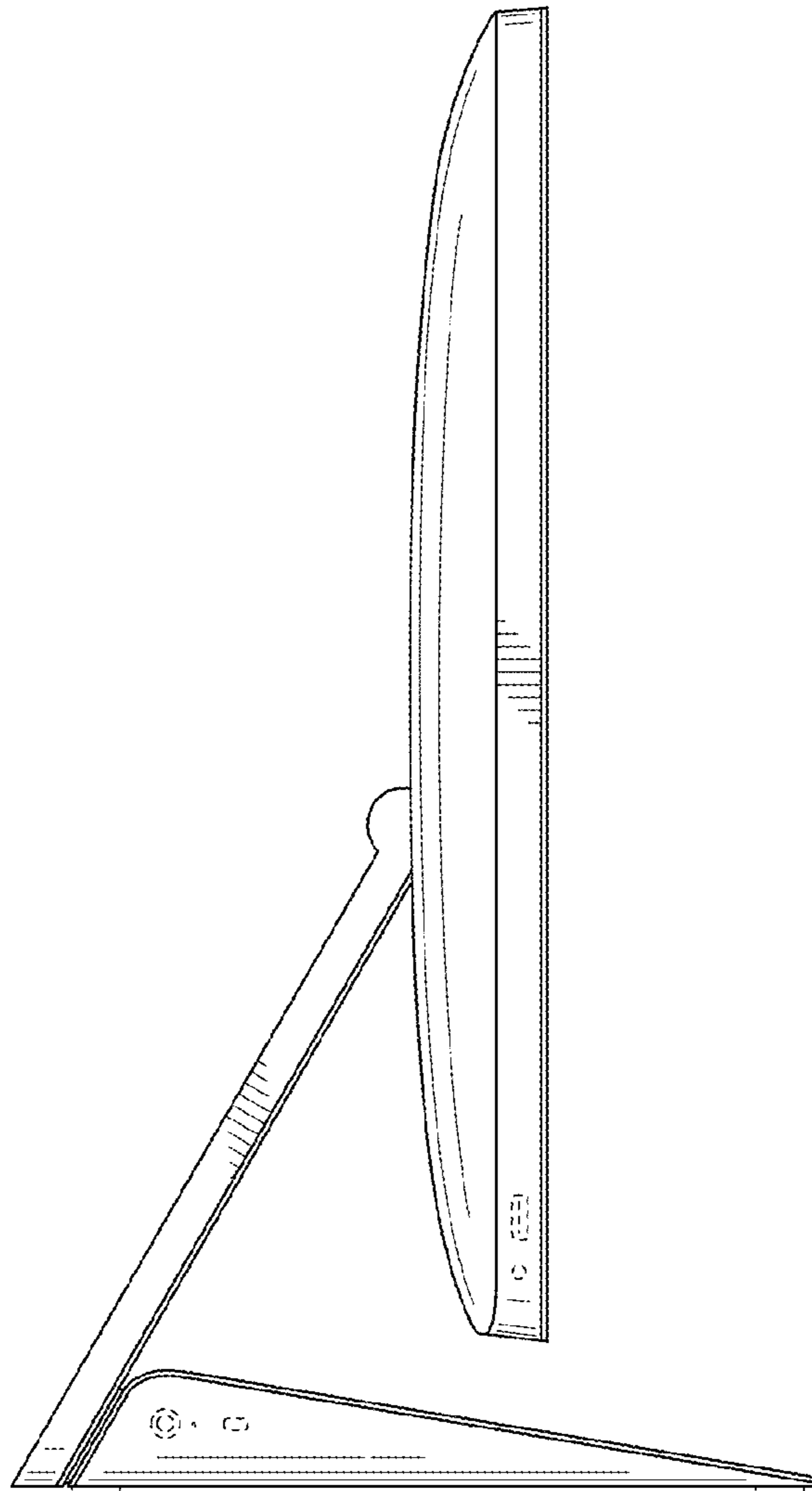


FIG. 5

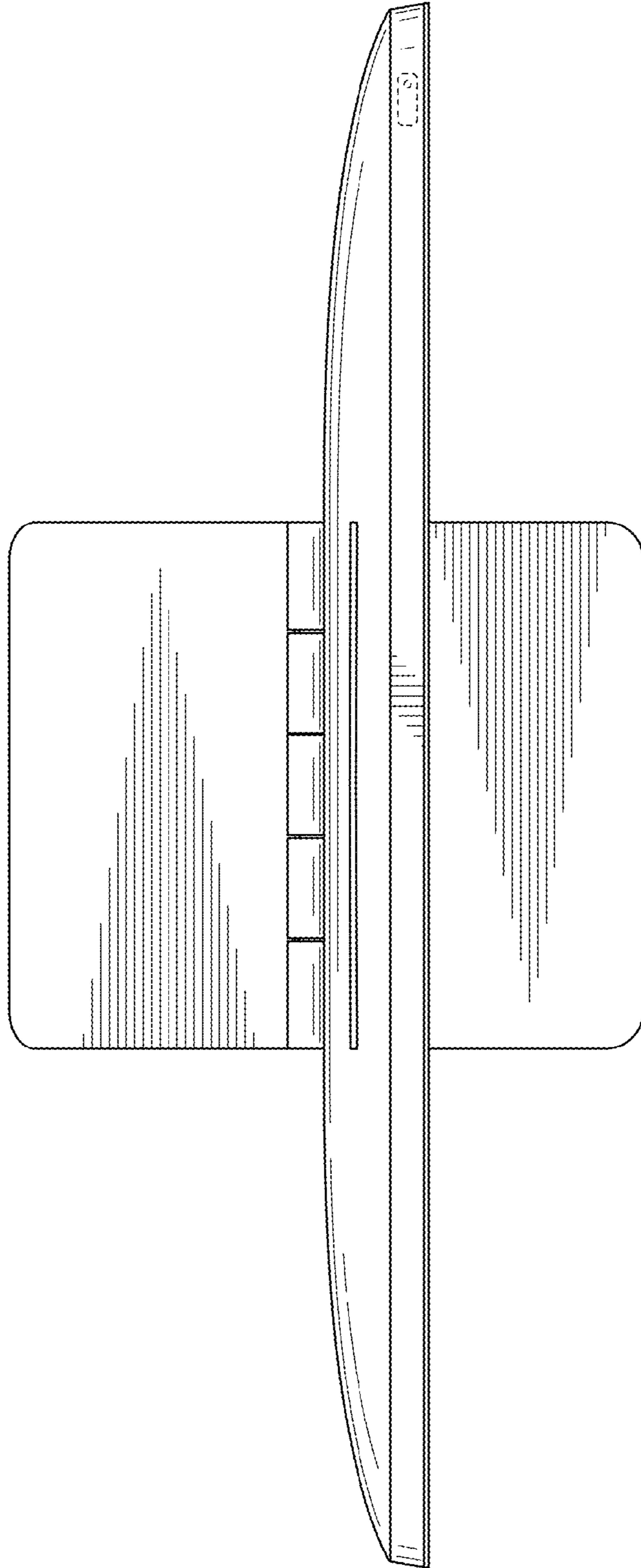


FIG. 6

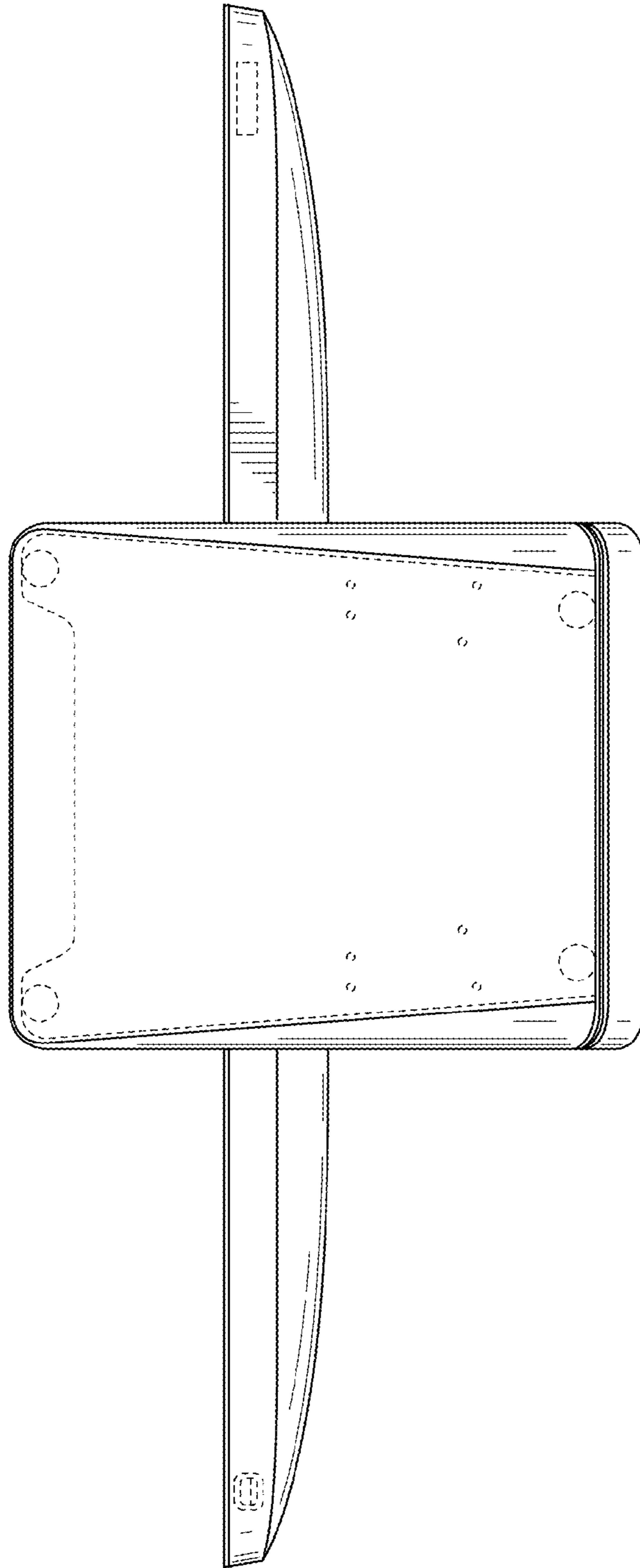


FIG. 7

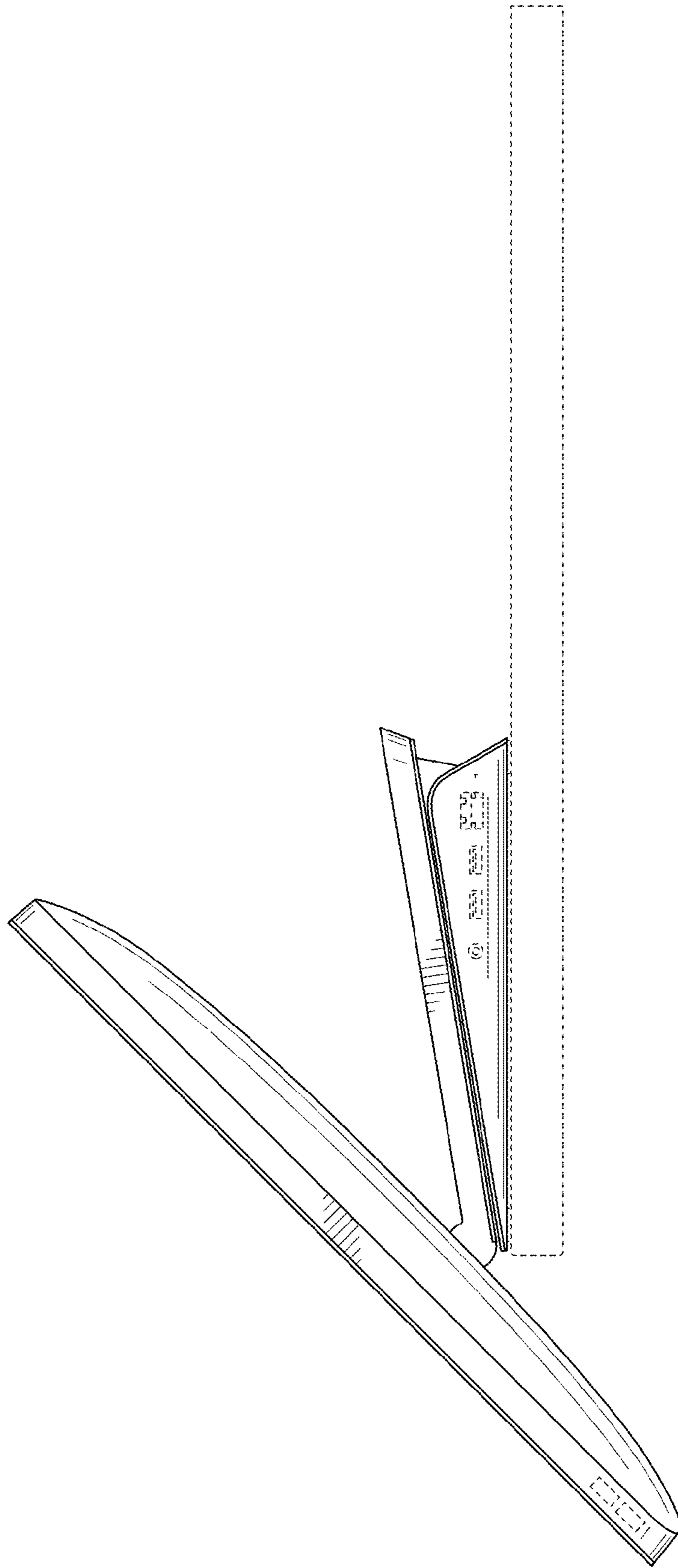


FIG. 8

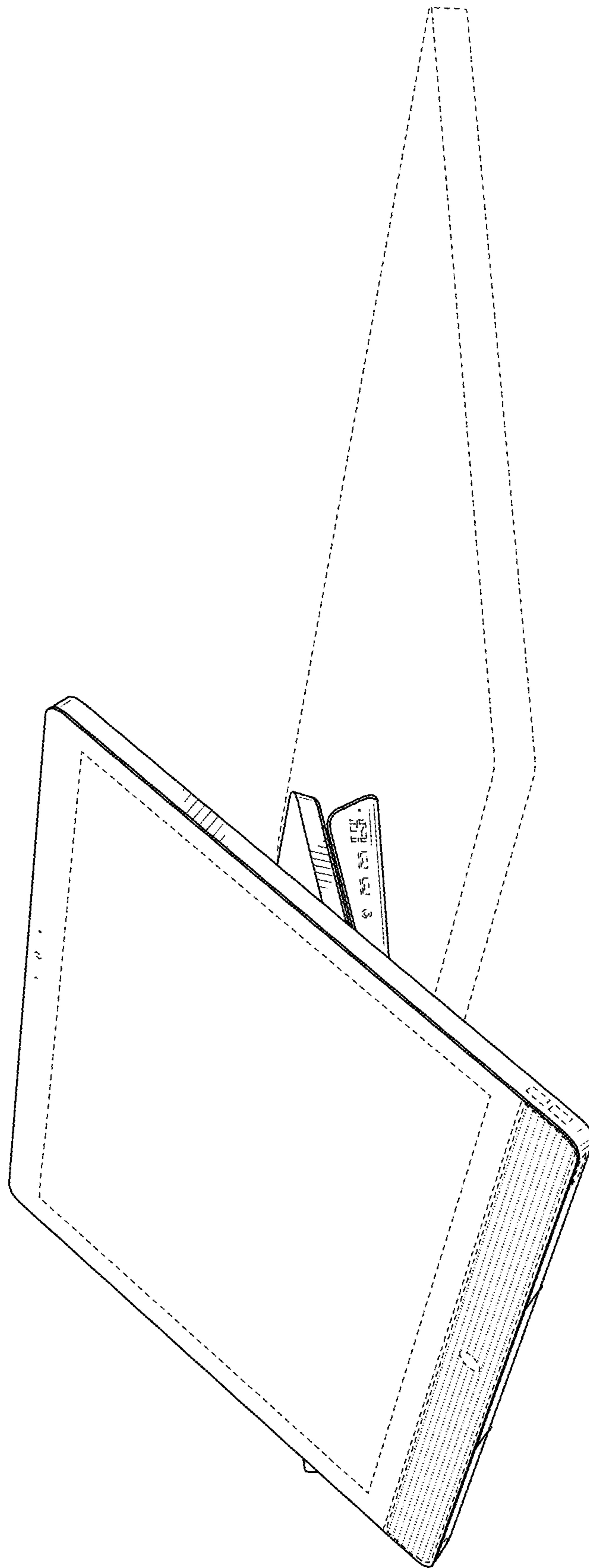


FIG. 9

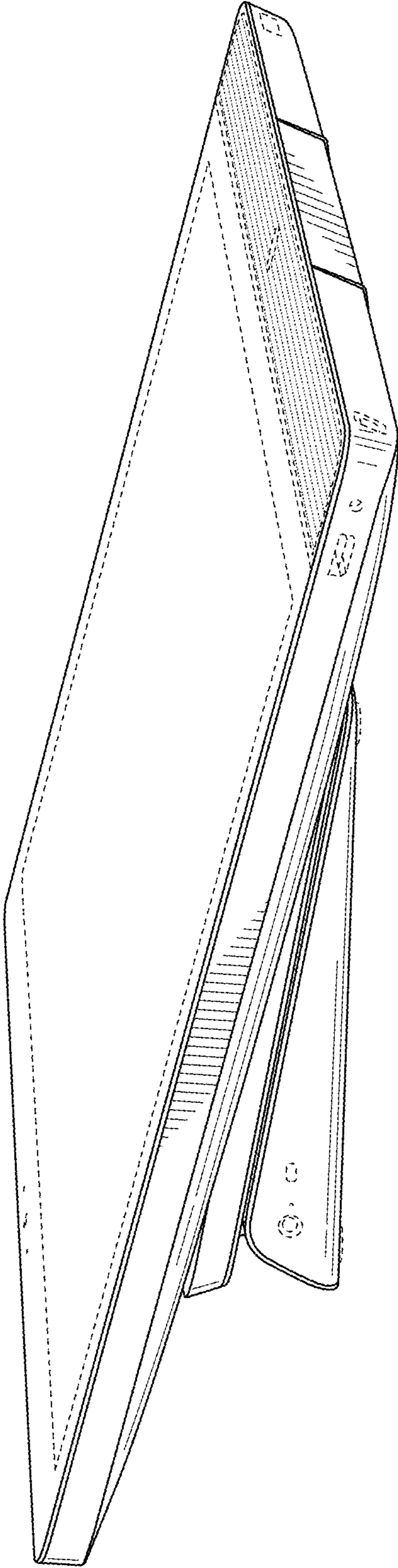


FIG. 10

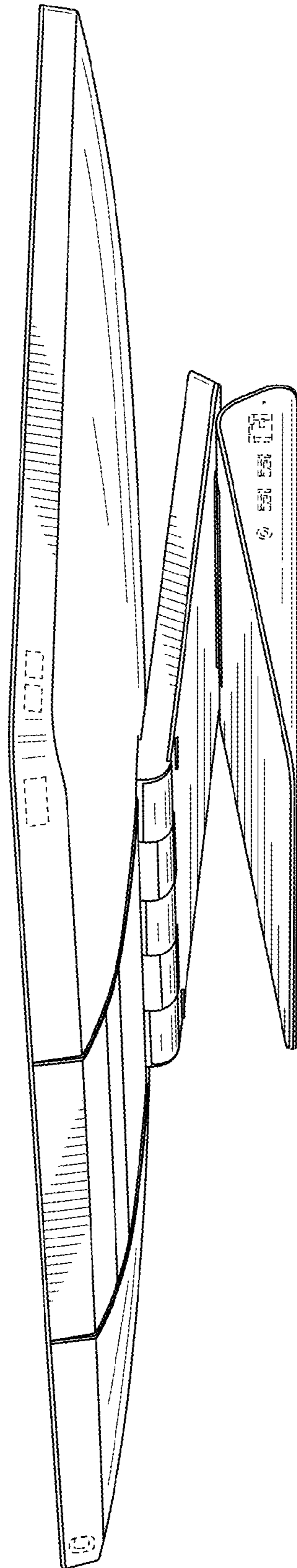


FIG. 11

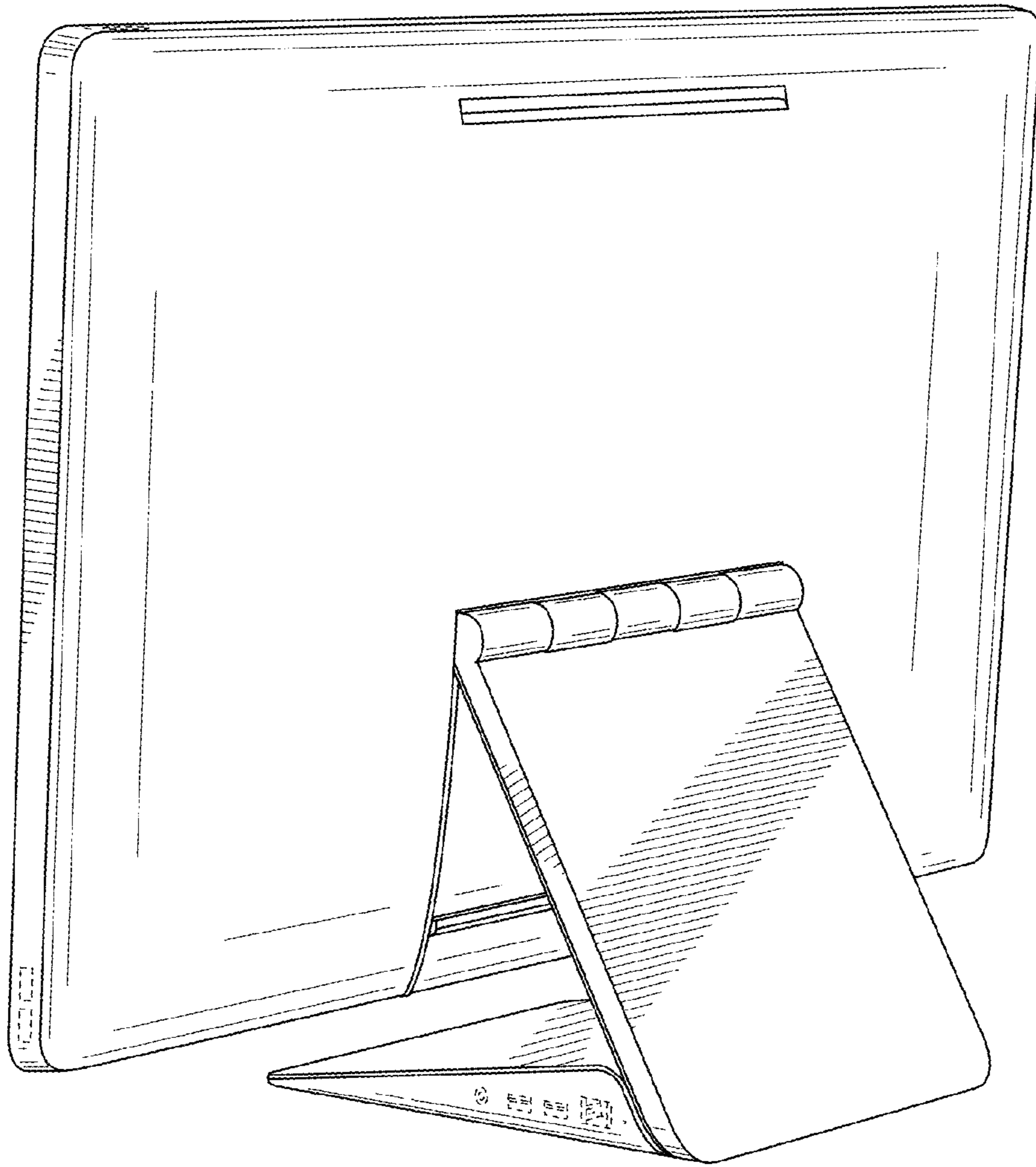


FIG. 12