

US00D695237S

(12) **United States Design Patent**
Sakai et al.

(10) **Patent No.:** **US D695,237 S**

(45) **Date of Patent:** **** *Dec. 10, 2013**

(54) **REMOTE CONTROLLER**

(75) Inventors: **Yuki Sakai**, Chiyoda-ku (JP); **Azumi Shimada**, Chiyoda-ku (JP)

(73) Assignee: **Mitsubishi Electric Corporation**, Tokyo (JP)

(*) Notice: This patent is subject to a terminal disclaimer.

(**) Term: **14 Years**

(21) Appl. No.: **29/419,009**

(22) Filed: **Apr. 24, 2012**

(30) **Foreign Application Priority Data**

Nov. 24, 2011 (JP) 2011-027071

(51) **LOC (9) Cl.** **14-03**

(52) **U.S. Cl.**
USPC **D13/168**

(58) **Field of Classification Search**

USPC D13/168; D10/49, 50, 104.1, 106.1;
D14/203.7, 341, 496; 165/238;
315/158, 295; 340/4.3, 4.42, 12.22,
340/12.23, 12.24, 12.29, 12.3, 13.2, 13.21,
340/13.24; 341/176; 236/49.3, 46 R, 51, 1 C,
236/94; 348/734; 455/352; 700/17, 65, 83,
700/86, 276, 277

See application file for complete search history.

(56) **References Cited**

U.S. PATENT DOCUMENTS

4,768,230 A * 8/1988 Viebrantz et al. 398/106
4,980,522 A * 12/1990 Murakami et al. 200/5 A
D351,141 S * 10/1994 Van Akkeren et al. D13/168
D374,693 S * 10/1996 Osborne D21/513
D409,200 S * 5/1999 Cooper D14/218
D450,305 S * 11/2001 Masuzoe et al. D13/168

D493,148 S * 7/2004 Shibata et al. D13/168
D503,686 S * 4/2005 Knox et al. D13/162
D606,129 S * 12/2009 Ben-Moshe D21/517
D623,606 S * 9/2010 Nakai et al. D13/168
D639,751 S * 6/2011 Tucker et al. D13/168
D642,544 S * 8/2011 Kataoka et al. D13/168
D660,809 S * 5/2012 Kern Koskela et al. D13/168
D661,662 S * 6/2012 Kikuchi et al. D13/168

* cited by examiner

Primary Examiner — Selina Sikder

(74) *Attorney, Agent, or Firm* — Sughrue Mion, PLLC

(57) **CLAIM**

The ornamental design for a remote controller, as shown and described.

DESCRIPTION

FIG. 1 is a front, top and right side perspective view of a remote controller, showing my new design;
FIG. 2 is a front elevational view thereof;
FIG. 3 is a rear elevational view thereof;
FIG. 4 is a left side elevational view thereof;
FIG. 5 is a right side elevational view thereof;
FIG. 6 is a top plan view thereof;
FIG. 7 is a bottom plan view thereof;
FIG. 8 is a reference vertical cross-sectional view thereof; taken in the direction of line 8-8 in FIG. 2, the broken line disclosure of internal elements being understood to be part of the article in which the claimed design is embodied, but which forms no part of the claimed design;
FIG. 9 is a reference horizontal cross-sectional view thereof; taken in the direction of line 9-9 in FIG. 2, with the internal system omitted;
FIG. 10 is a reference front elevational view thereof; and,
FIG. 11 is a reference cross-sectional view thereof; taken in the direction of line 11-11 in FIG. 10, the broken line disclosure of internal elements being understood to be part of the article in which the claimed design is embodied, but which forms no part of the claimed design.

1 Claim, 9 Drawing Sheets

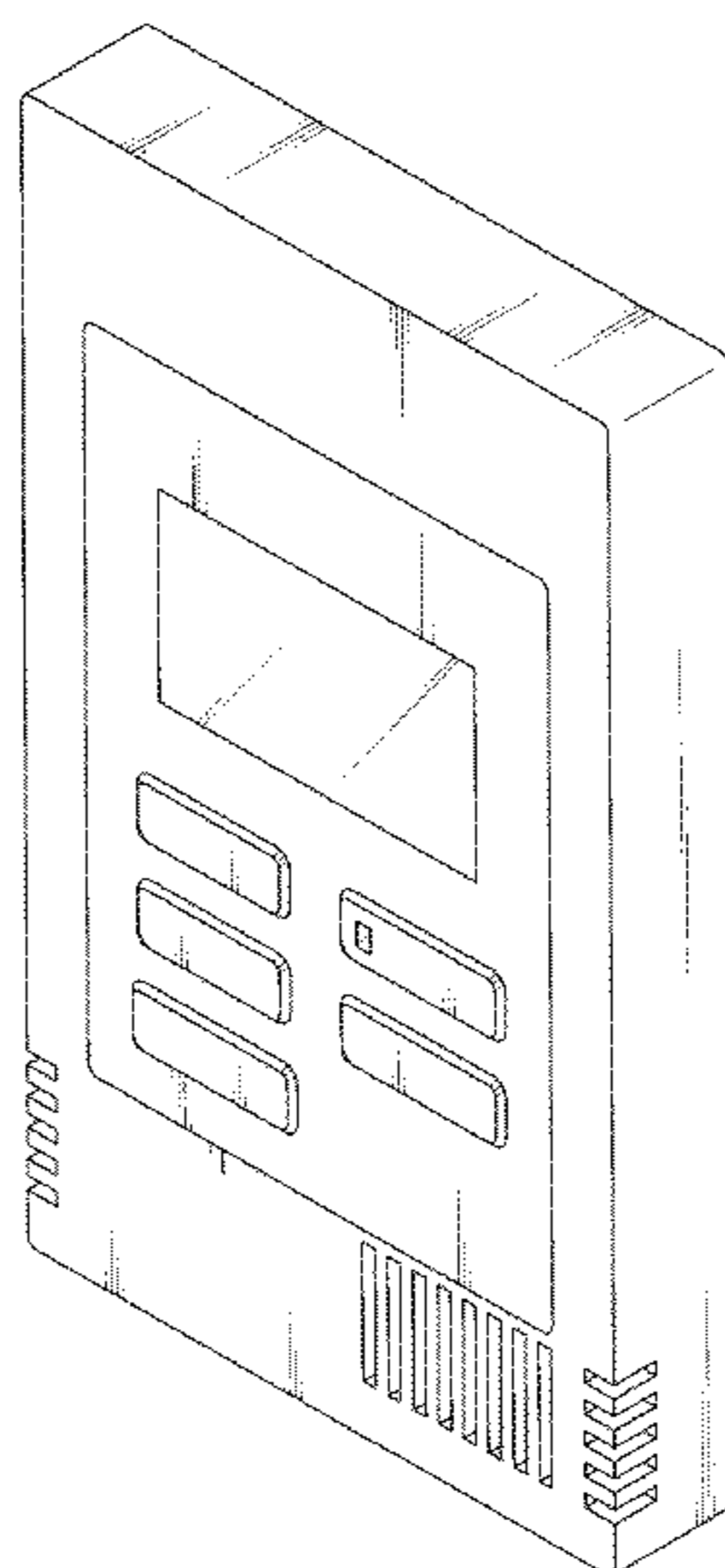


Fig. 1

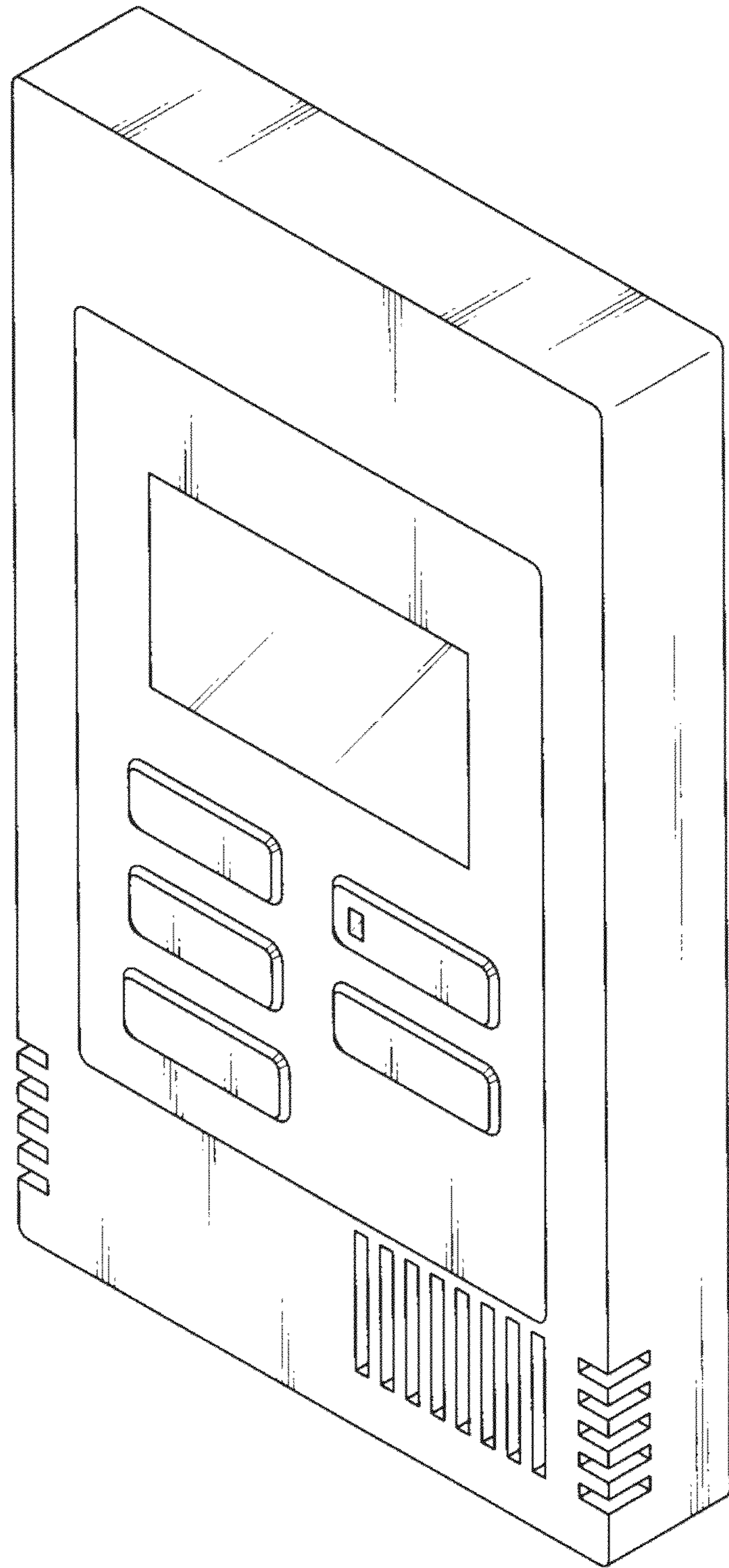


Fig. 2

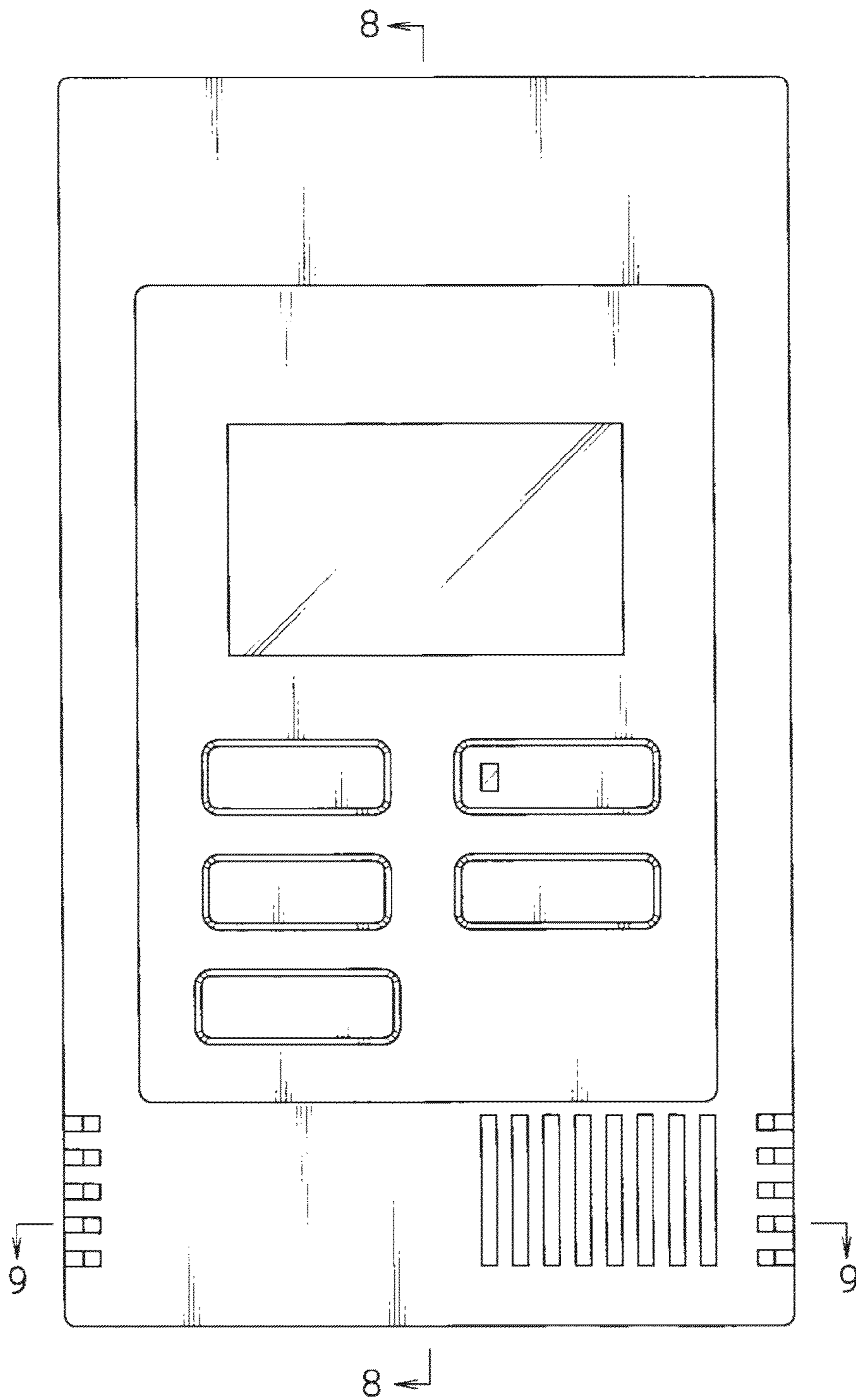


Fig. 3

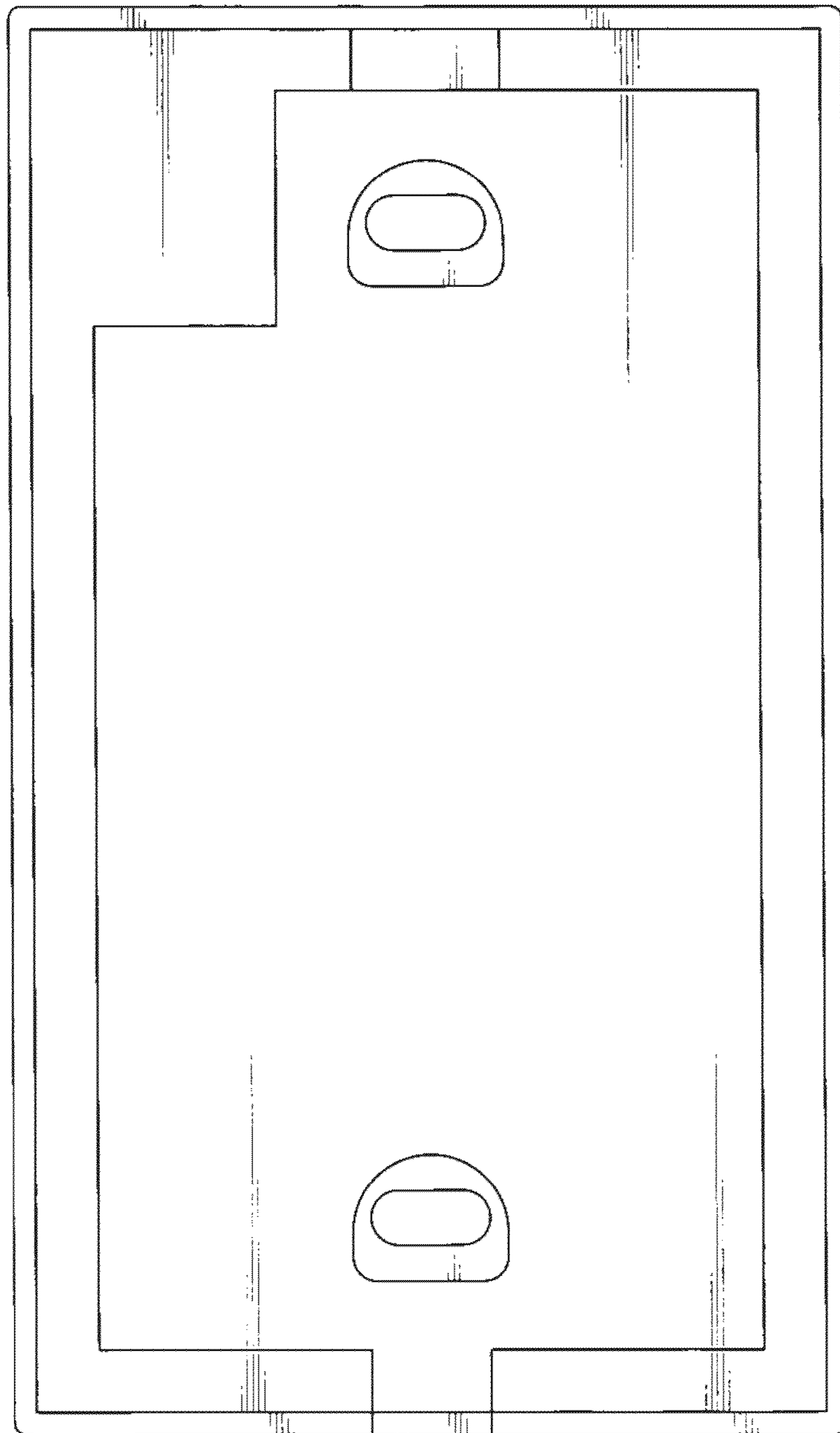


Fig. 4

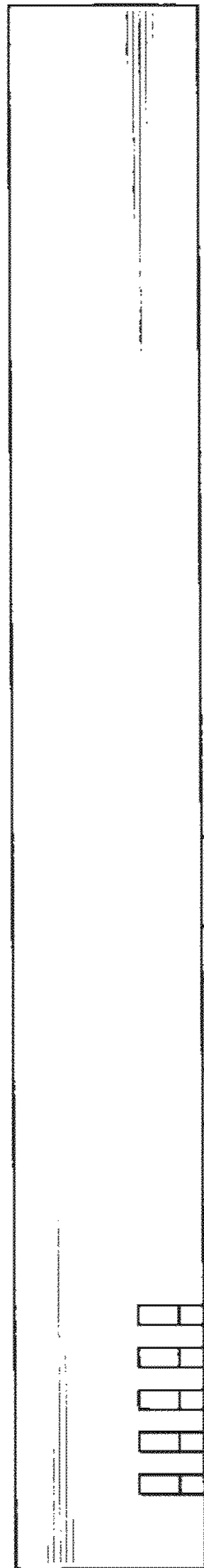


Fig. 5

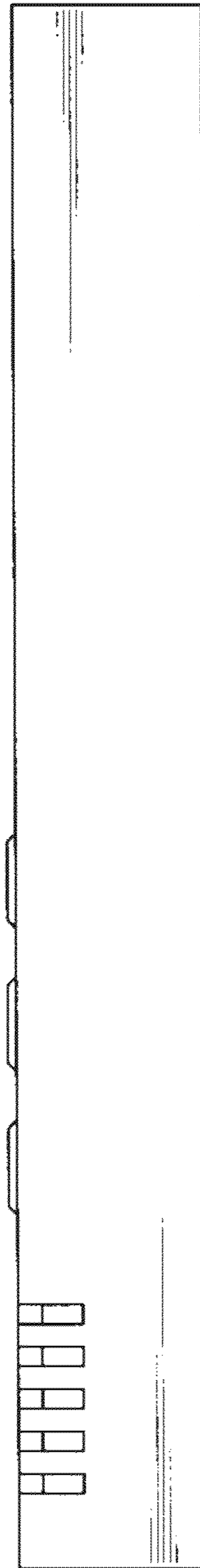


Fig. 6

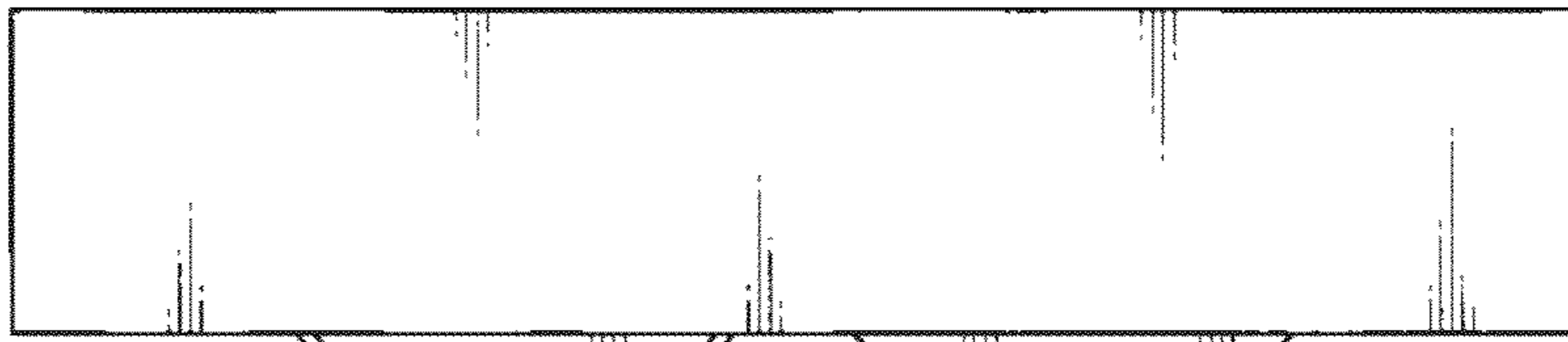


Fig. 7

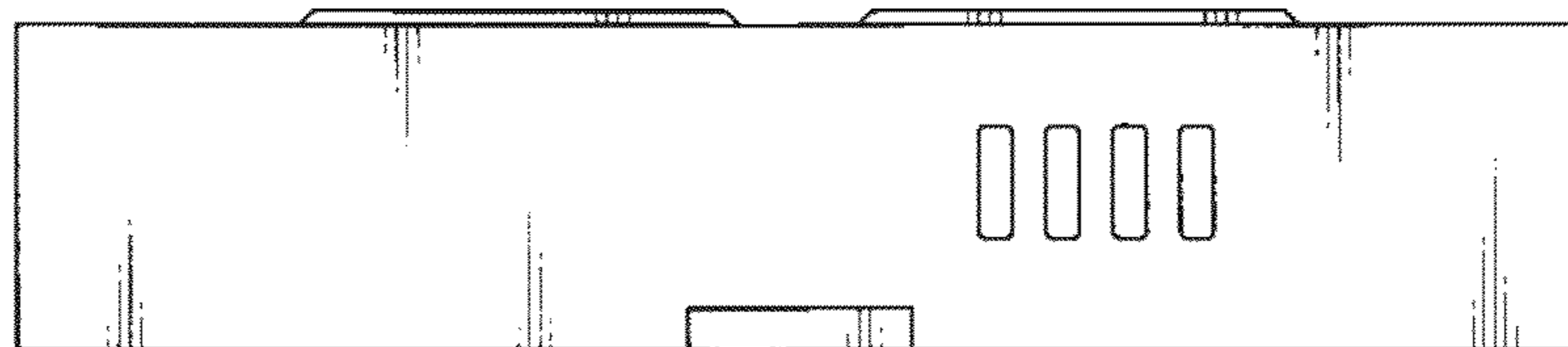


Fig. 8

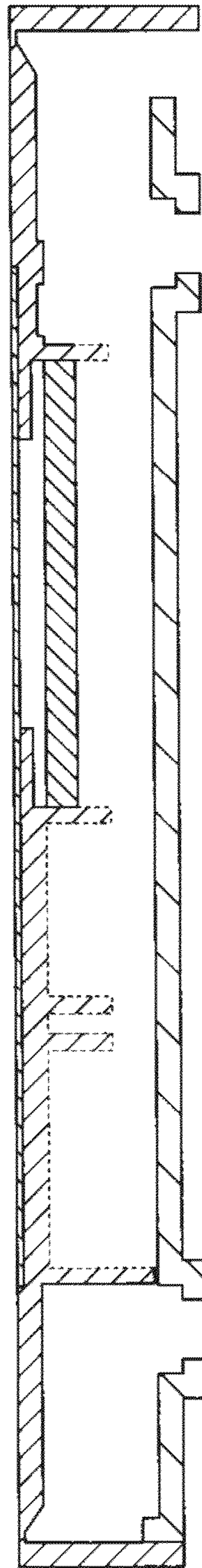


Fig. 9

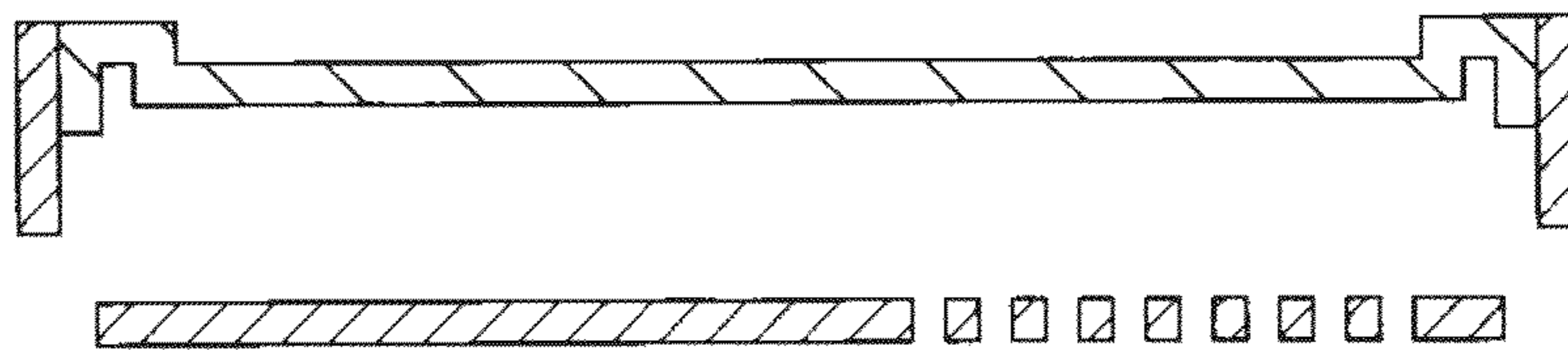


Fig. 10

