

US00D695233S

(12) **United States Design Patent**  
**Kobayashi**

(10) **Patent No.:** **US D695,233 S**

(45) **Date of Patent:** **\*\* Dec. 10, 2013**

(54) **FUSE**

(71) Applicant: **Pacific Engineering Corp.**, Ogaki (JP)

(72) Inventor: **Tatsunori Kobayashi**, Ogaki (JP)

(73) Assignee: **Pacific Engineering Corp.**, Ogaki-shi,  
Gifu-ken (JP)

(\*\*) Term: **14 Years**

(21) Appl. No.: **29/443,583**

(22) Filed: **Jan. 18, 2013**

(30) **Foreign Application Priority Data**

Dec. 10, 2012 (JP) ..... 2012-030206

Dec. 10, 2012 (JP) ..... 2012-030207

(51) **LOC (9) Cl.** ..... **13-03**

(52) **U.S. Cl.**  
USPC ..... **D13/161**

(58) **Field of Classification Search**  
USPC ..... D13/159-161, 173, 178; 439/687;  
337/163, 198, 206, 230, 242, 264, 265  
See application file for complete search history.

(56) **References Cited**

**U.S. PATENT DOCUMENTS**

4,635,023 A \* 1/1987 Oh ..... 337/163

6,448,897 B1 \* 9/2002 Ku ..... 340/638

6,452,474 B1 *	9/2002	Oh	.....	337/278
6,556,121 B2 *	4/2003	Endo et al.	.....	337/260
D558,150 S *	12/2007	Yang	.....	D13/161
7,928,827 B2 *	4/2011	Urrea et al.	.....	337/161
8,077,007 B2 *	12/2011	Urrea et al.	.....	337/161
D671,080 S *	11/2012	Andoh et al.	.....	D13/161
D671,504 S *	11/2012	Andoh et al.	.....	D13/161
2001/0026209 A1 *	10/2001	Kondo et al.	.....	337/260
2009/0179728 A1 *	7/2009	Urrea et al.	.....	337/198
2012/0044037 A1 *	2/2012	Urrea et al.	.....	337/198

\* cited by examiner

*Primary Examiner* — Thomas Johannes

(74) *Attorney, Agent, or Firm* — Merchant & Gould P.C.

(57) **CLAIM**

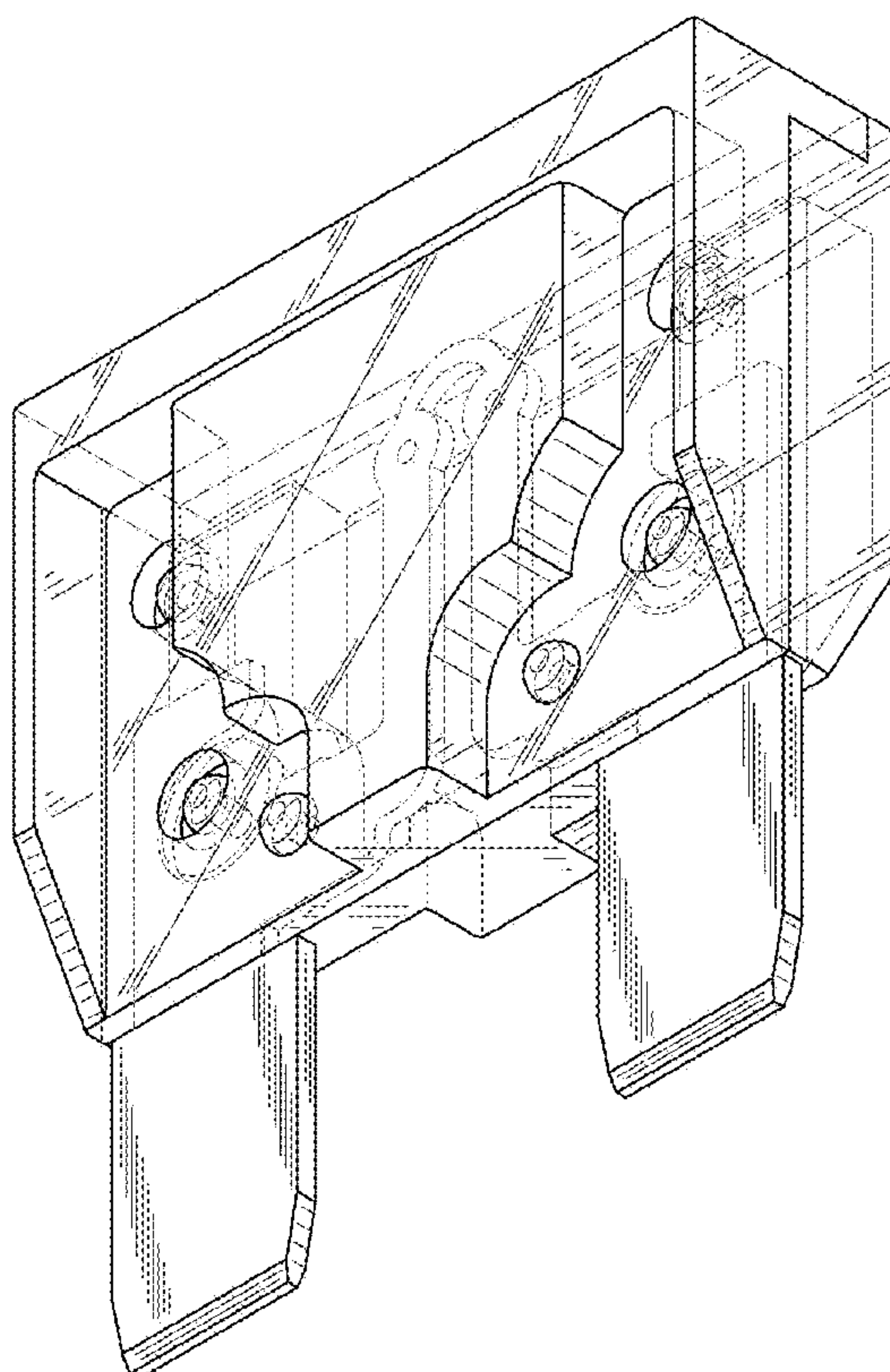
The ornamental design for fuse, as shown and described.

**DESCRIPTION**

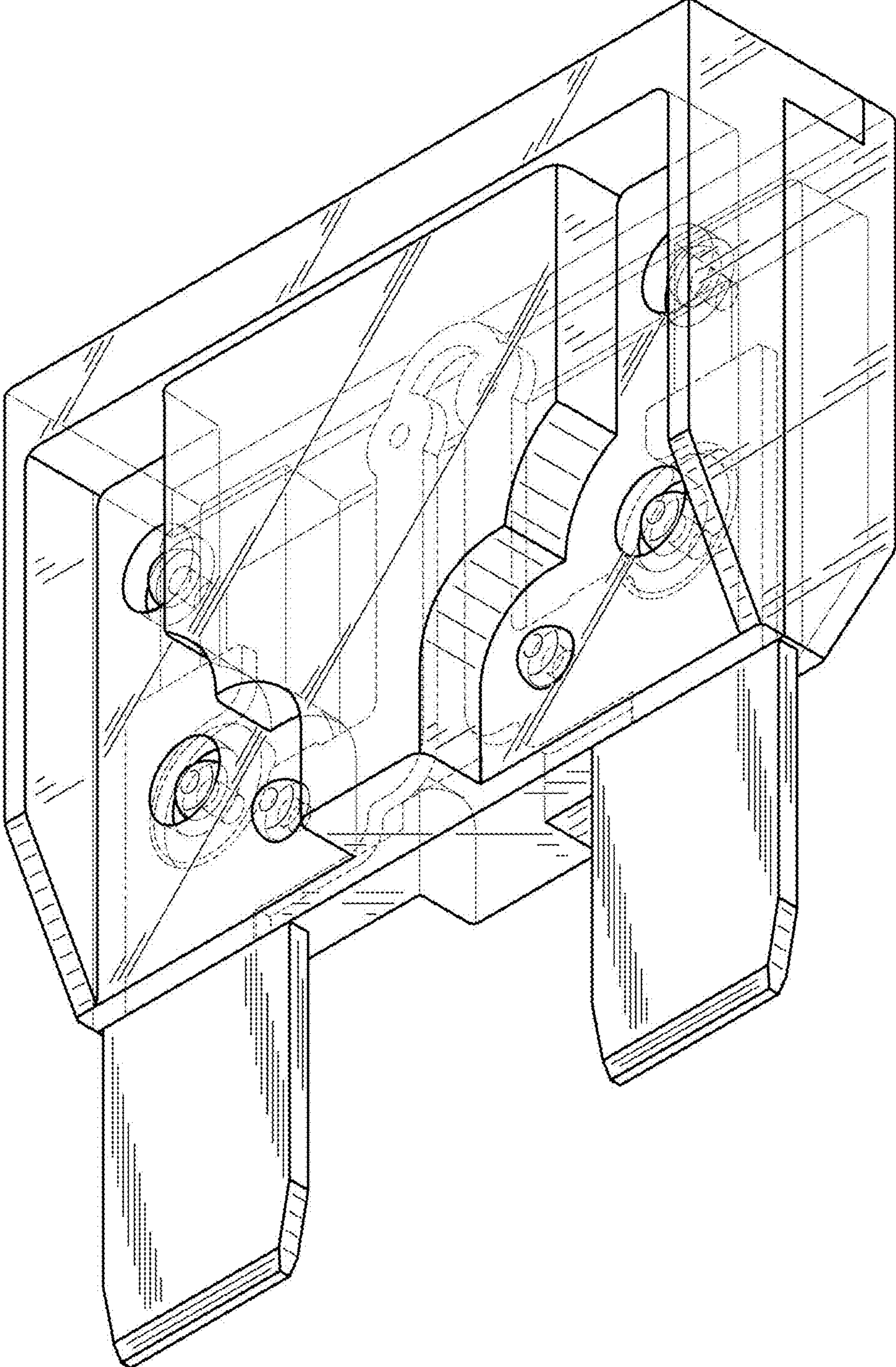
FIG. 1 is a perspective view of a fuse showing my new design; FIG. 2 is a front view thereof; FIG. 3 is a rear view thereof; FIG. 4 is a top plan view thereof; FIG. 5 is a bottom plan view thereof; and, FIG. 6 is a right side view thereof, the left side view being a mirror image.

The oblique shade lines shown in the drawings represent the housing being transparent. The features shown in the broken lines in the drawings depict environmental subject matter only and form no part of the claimed design.

**1 Claim, 6 Drawing Sheets**

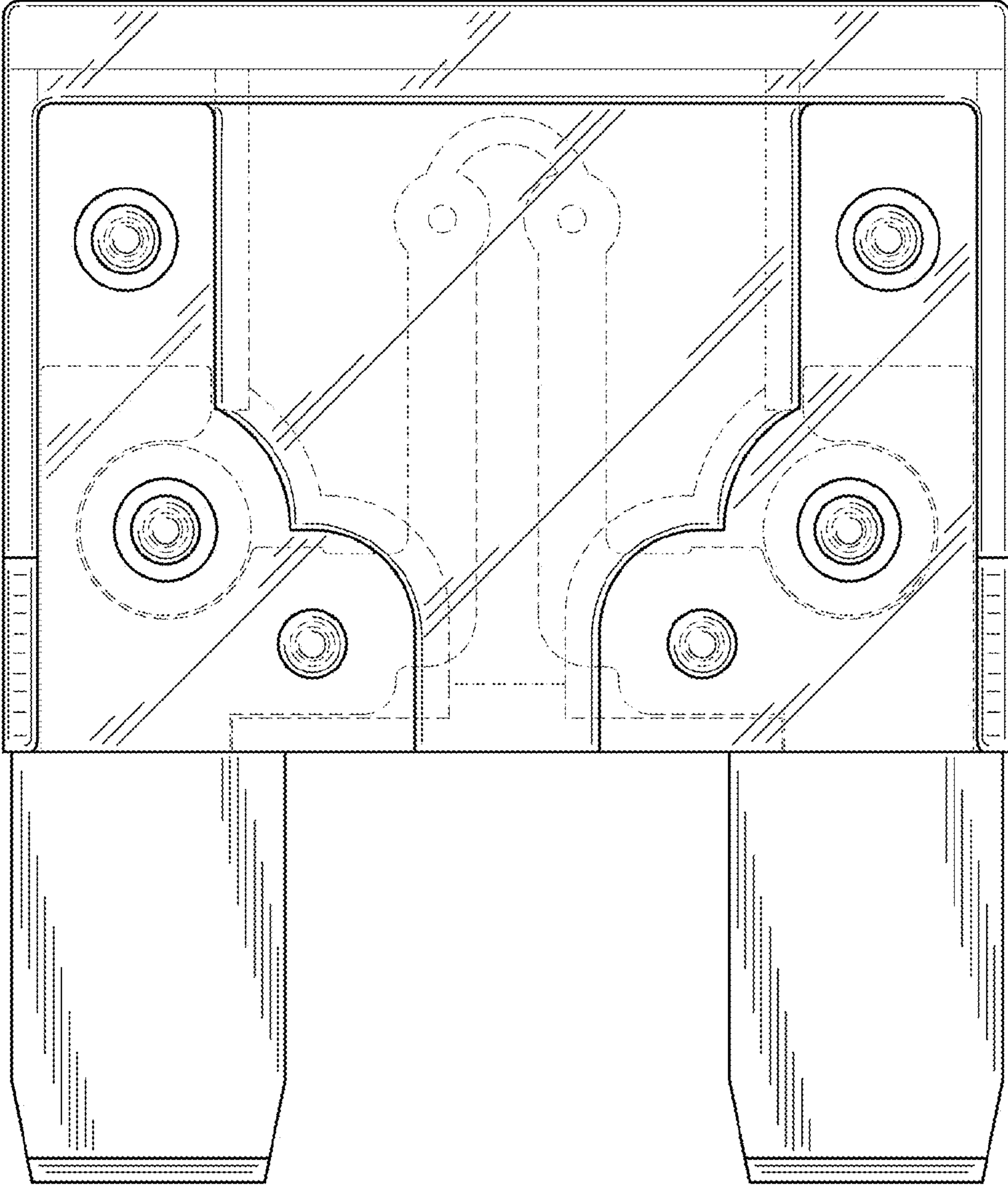


**FIG. 1**

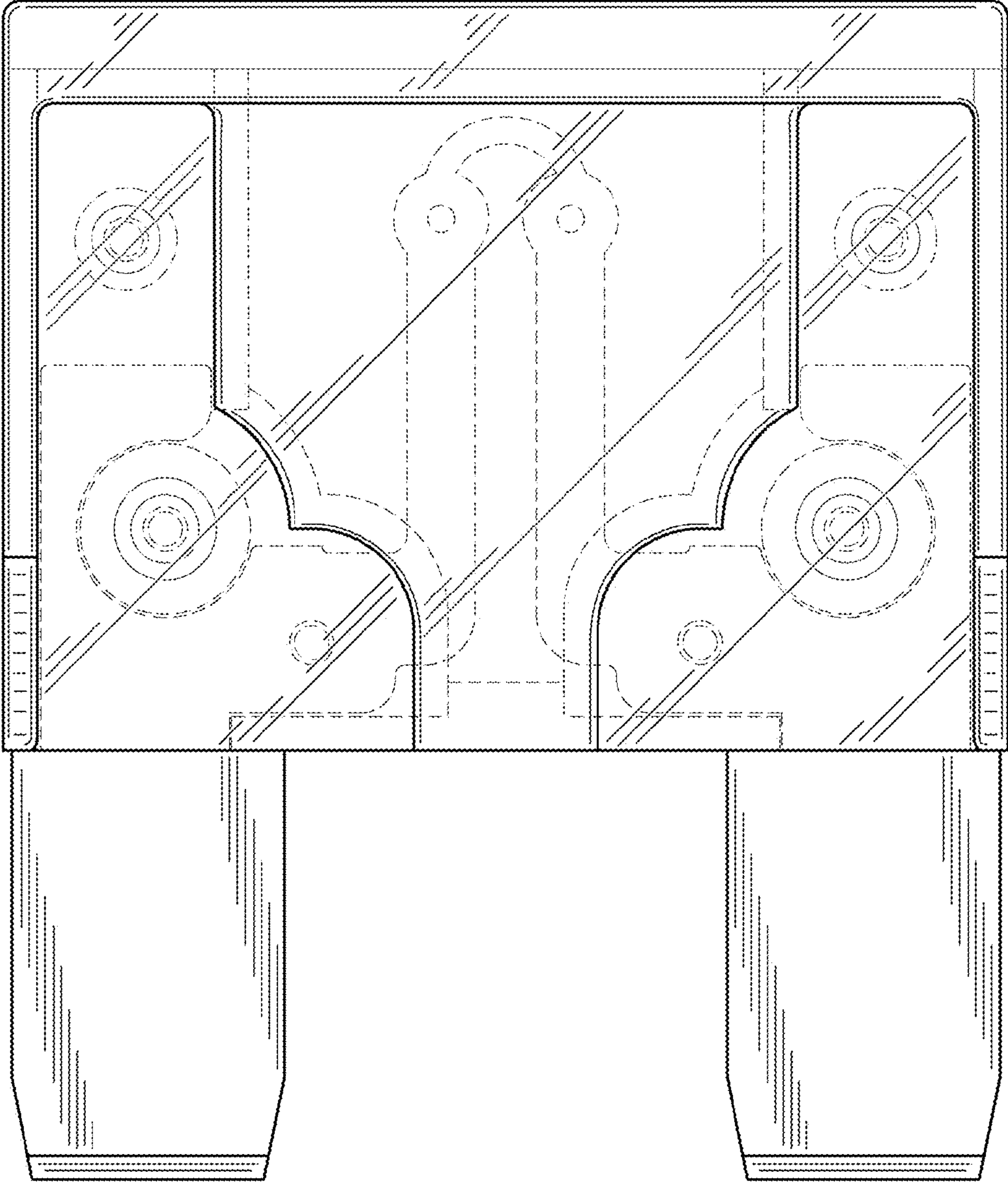




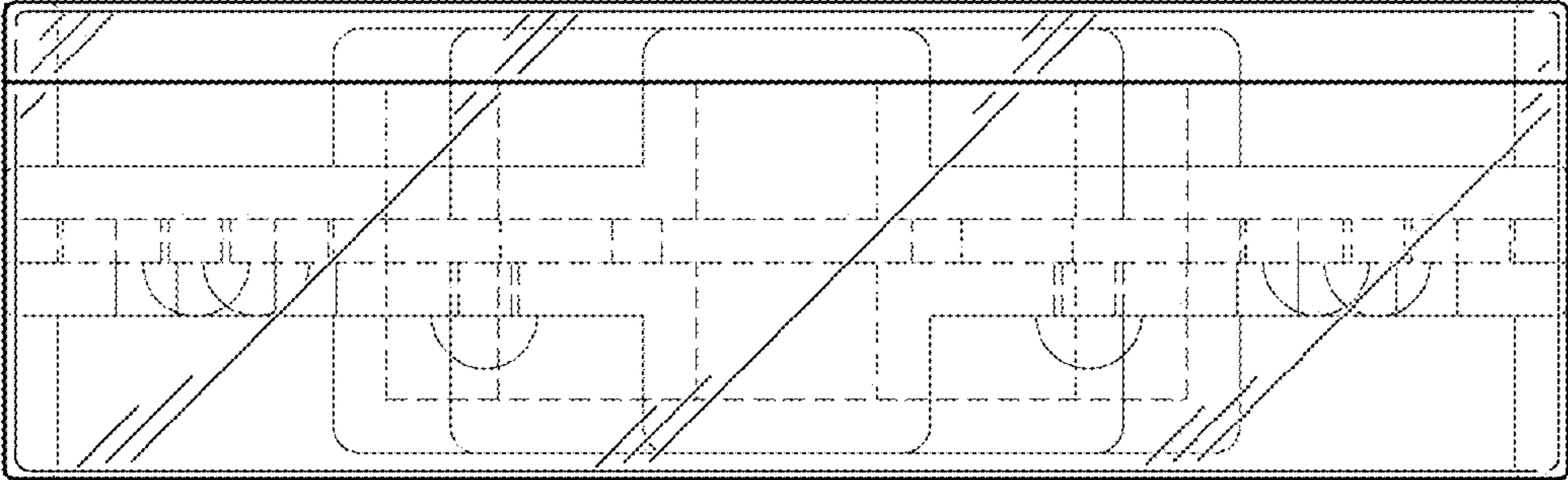
**FIG.2**



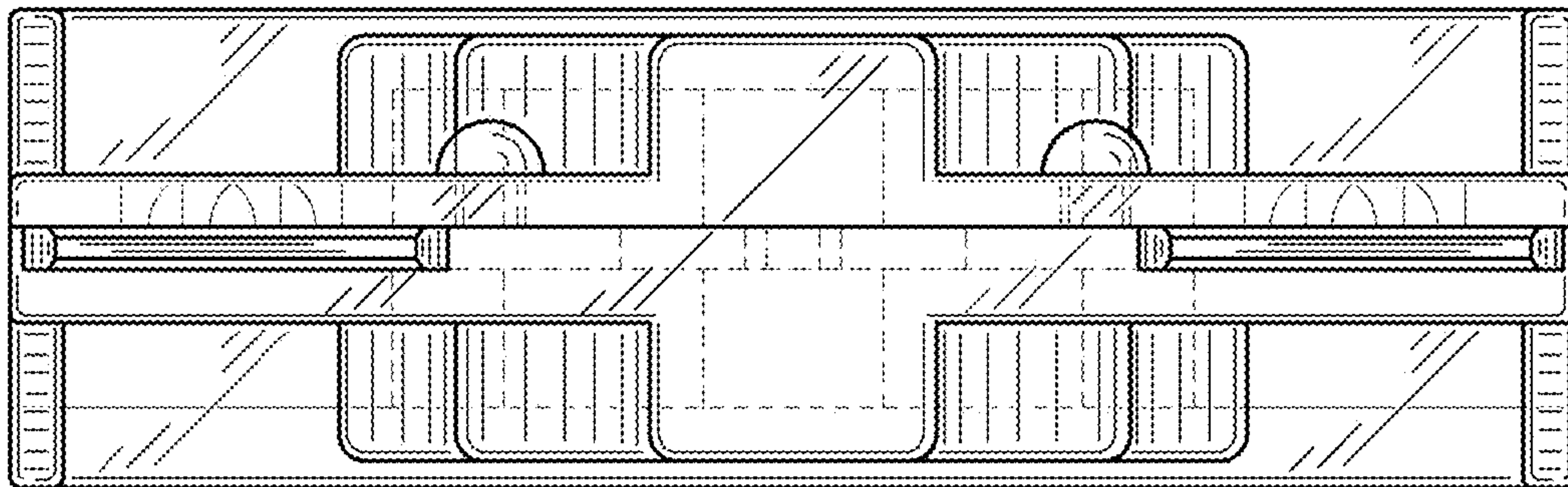
**FIG.3**



**FIG. 4**



*FIG. 5*



**FIG.6**

