



US00D695232S

(12) **United States Design Patent**
Arioka et al.

(10) **Patent No.:** **US D695,232 S**

(45) **Date of Patent:** **** Dec. 10, 2013**

(54) **VACUUM CIRCUIT BREAKER**

401/137, 146, 197; D4/122, 123;
D8/373-386

(71) Applicant: **Mitsubishi Electric Corporation,**
Tokyo (JP)

See application file for complete search history.

(72) Inventors: **Masahiro Arioka,** Chiyoda-Ku (JP);
Tomotaka Yano, Chiyoda-Ku (JP);
Kyoichi Otsuka, Chiyoda-Ku (JP);
Satoru Yoshida, Chiyoda-Ku (JP);
Taehyun Kim, Chiyoda-Ku (JP); **Koji**
Sano, Chiyoda-Ku (JP); **Yuta**
Nakayama, Chiyoda-Ku (JP)

(56) **References Cited**

U.S. PATENT DOCUMENTS

D223,671	S	*	5/1972	Forsty et al.	D13/160
4,365,126	A	*	12/1982	Oshima et al.	218/143
4,379,957	A	*	4/1983	Calvino	218/2
5,373,129	A	*	12/1994	Shutoh et al.	218/143
6,307,172	B1	*	10/2001	Bolin et al.	218/155
6,784,392	B1	*	8/2004	Piazza et al.	218/7
7,102,101	B1	*	9/2006	Johnson et al.	219/201
D562,255	S	*	2/2008	Osumi et al.	D13/158
2004/0251237	A1	*	12/2004	Meyer et al.	218/43
2012/0103941	A1	*	5/2012	Nakayama et al.	218/134
2012/0228266	A1	*	9/2012	Nakada et al.	218/120
2013/0100587	A1	*	4/2013	Yoshida et al.	361/612
2013/0155640	A1	*	6/2013	Sano et al.	361/816

(73) Assignee: **Mitsubishi Electric Corporation,**
Tokyo (JP)

(**) Term: **14 Years**

* cited by examiner

(21) Appl. No.: **29/432,778**

Primary Examiner — Thomas Johannes

(22) Filed: **Sep. 20, 2012**

(74) *Attorney, Agent, or Firm* — Sughrue Mion, PLLC

(30) **Foreign Application Priority Data**

Mar. 23, 2012 (JP) 2012-006594

(51) **LOC (9) Cl.** **13-03**

(52) **U.S. Cl.**
USPC **D13/160**

(58) **Field of Classification Search**
USPC D13/123, 125, 158, 160, 162, 164, 171;
439/417-419, 395-404, 465, 695, 696,
439/701; D32/60, 61; 338/179, 198;
174/50, 66, 65 R, 67, 70 R, 77 R, 77 S,
174/92; 200/5 R, 43.11, 43.14, 50.01, 50.15,
200/293, 293.1, 303, 401; 361/42, 44, 45,
361/50, 71, 115, 118, 119, 679; 335/374,
335/68, 132, 202; 15/230.11; 401/121, 127,

(57) **CLAIM**

The ornamental design for a vacuum circuit breaker, as shown and described.

DESCRIPTION

FIG. 1 is a rear, top and right side perspective view of a vacuum circuit breaker, showing our new design; FIG. 2 is a front elevational view thereof; FIG. 3 is a rear elevational view thereof; FIG. 4 is a left side elevational view thereof; FIG. 5 is a right side elevational view thereof; FIG. 6 is a top plan view thereof; and, FIG. 7 is a bottom plan view thereof.

1 Claim, 5 Drawing Sheets

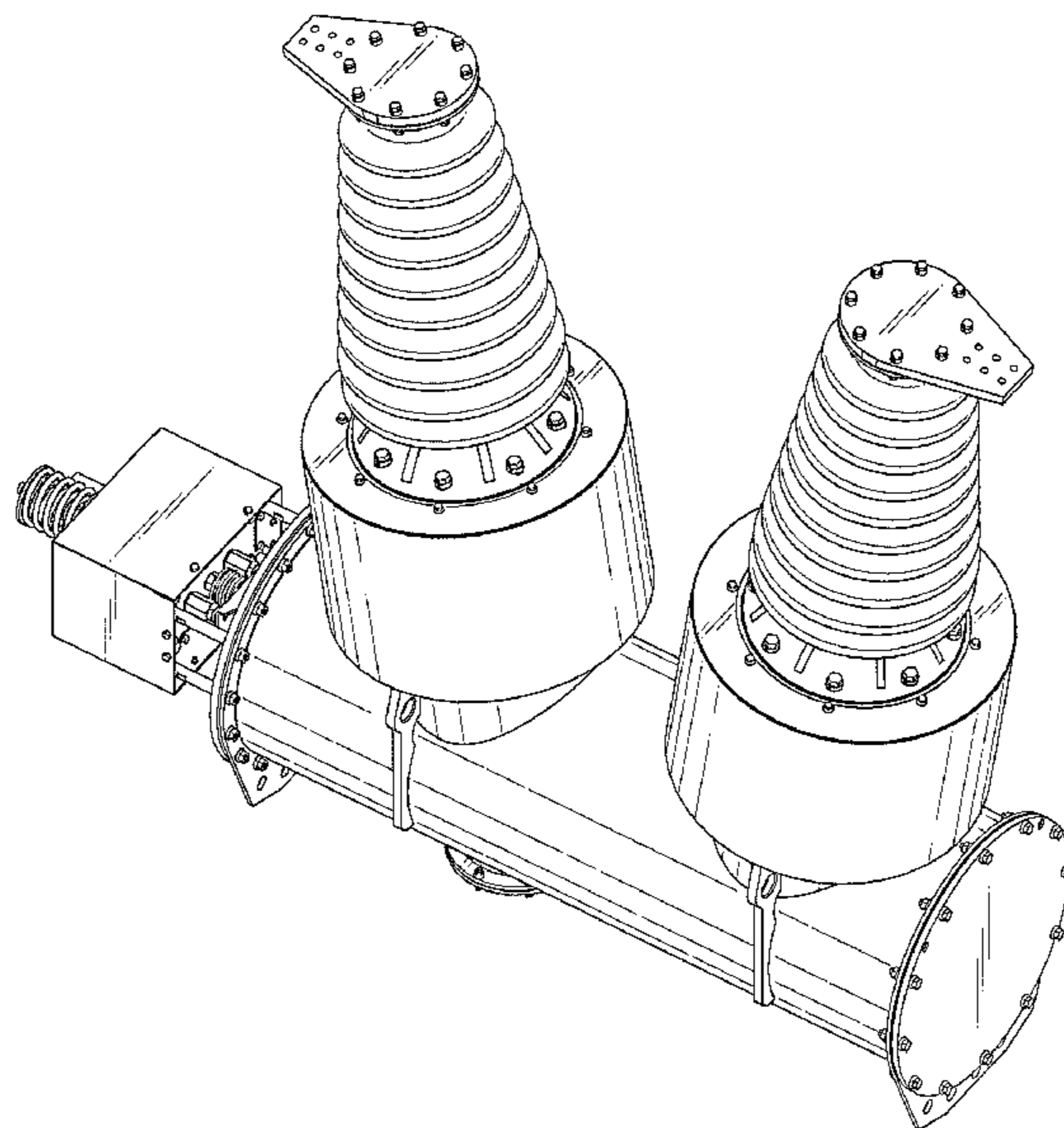


Fig. 1

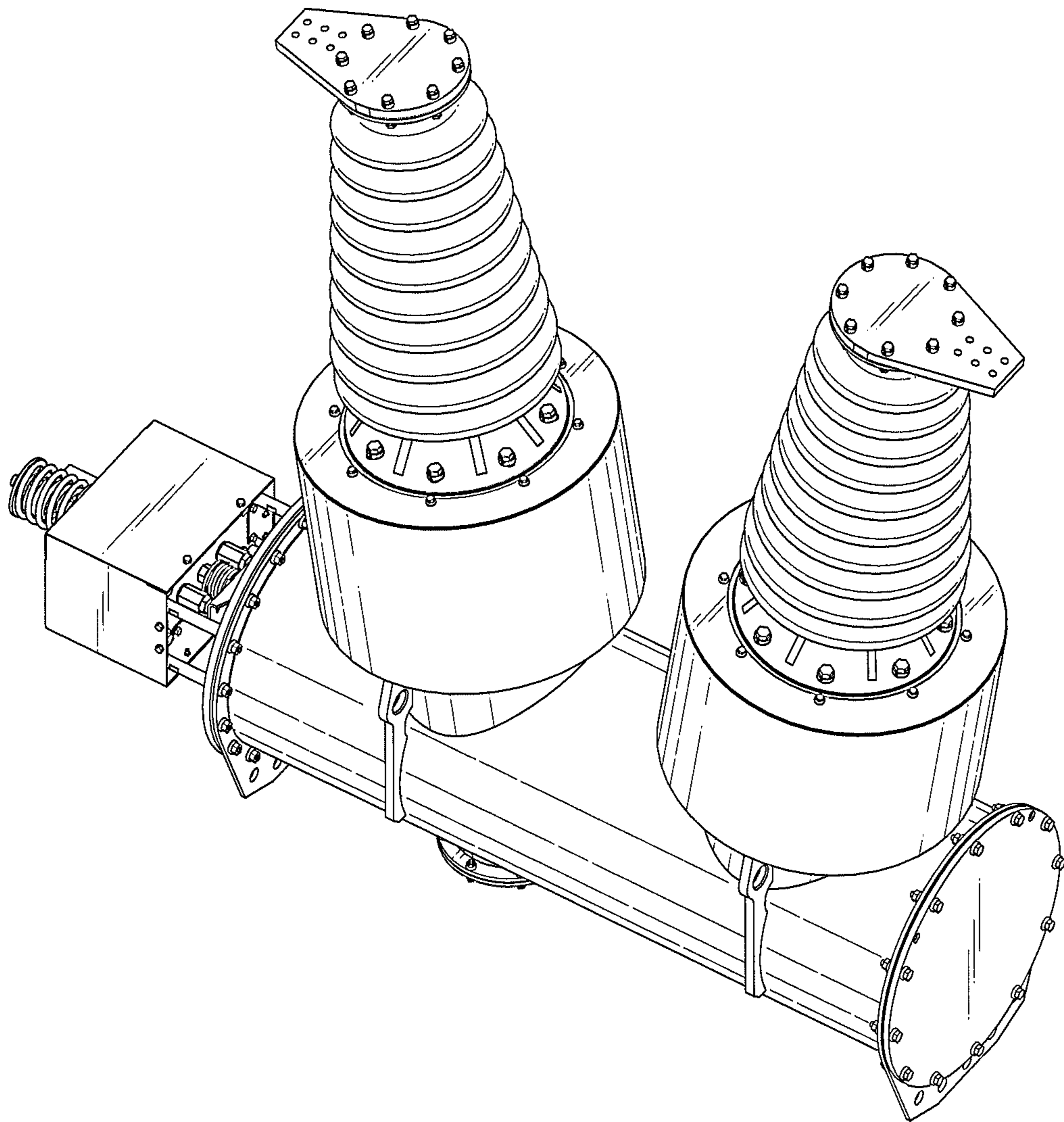


Fig. 2

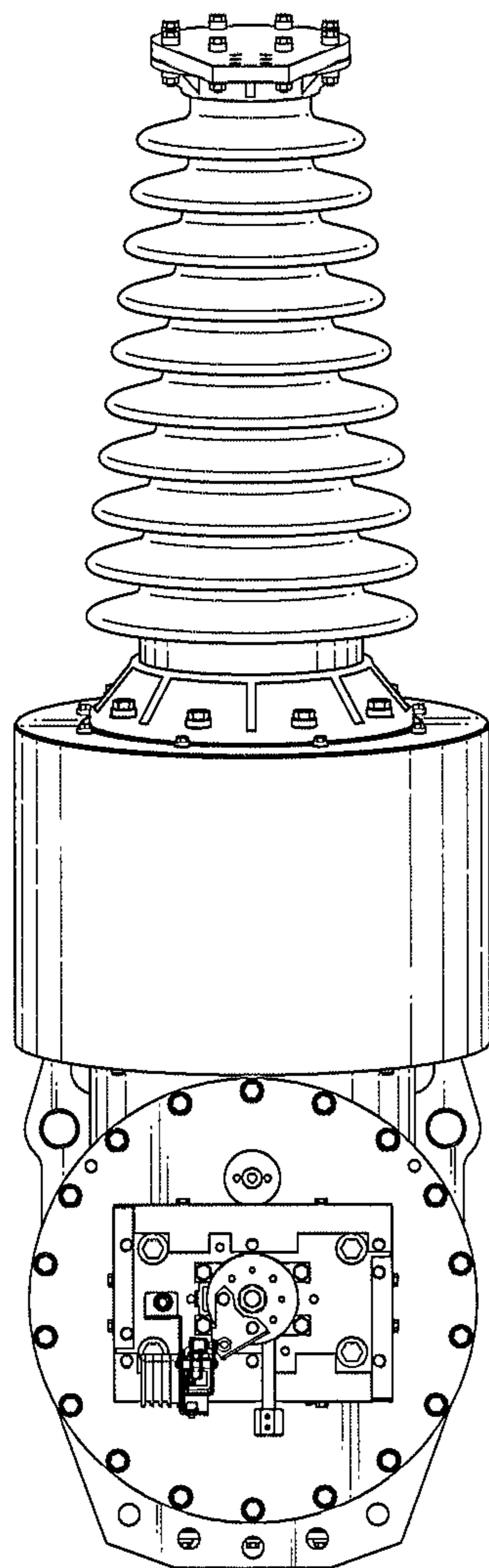


Fig. 3

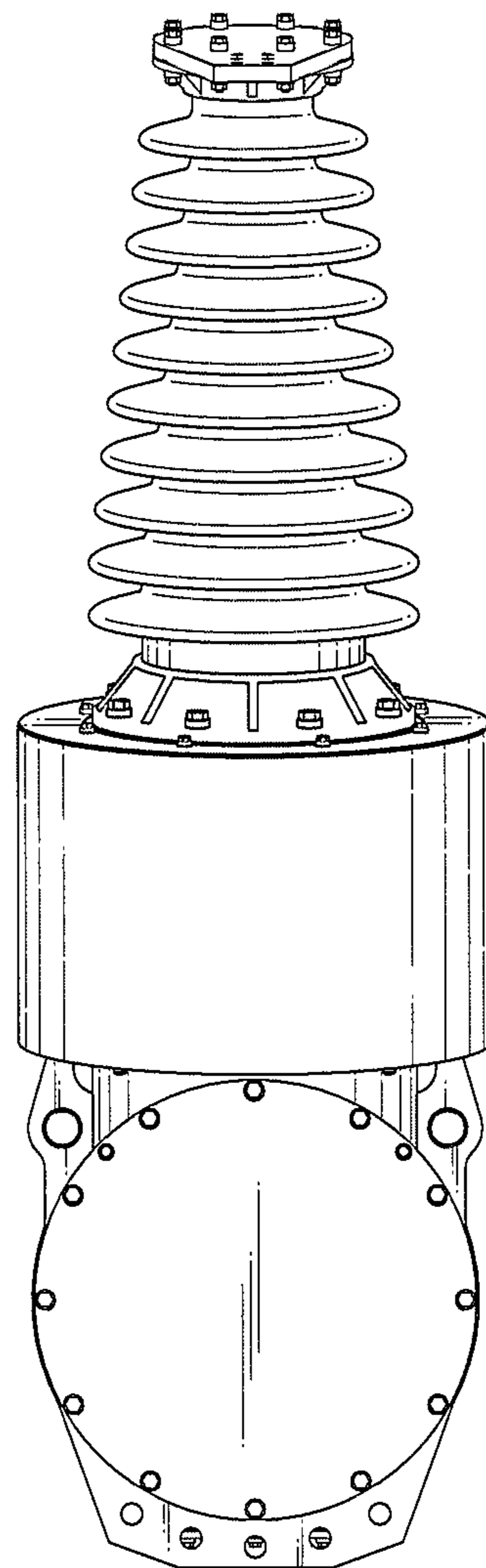


Fig. 4

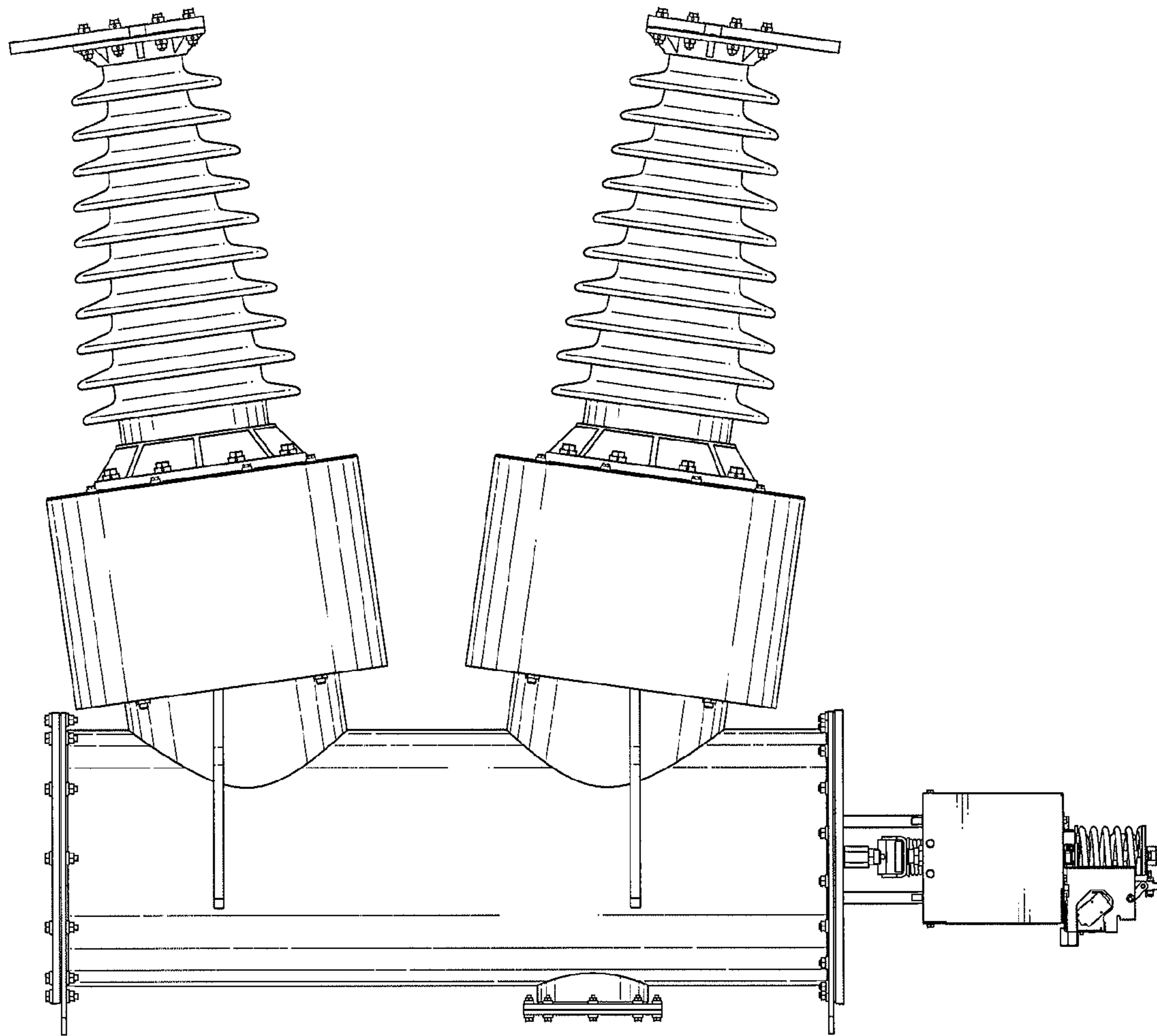


Fig. 5

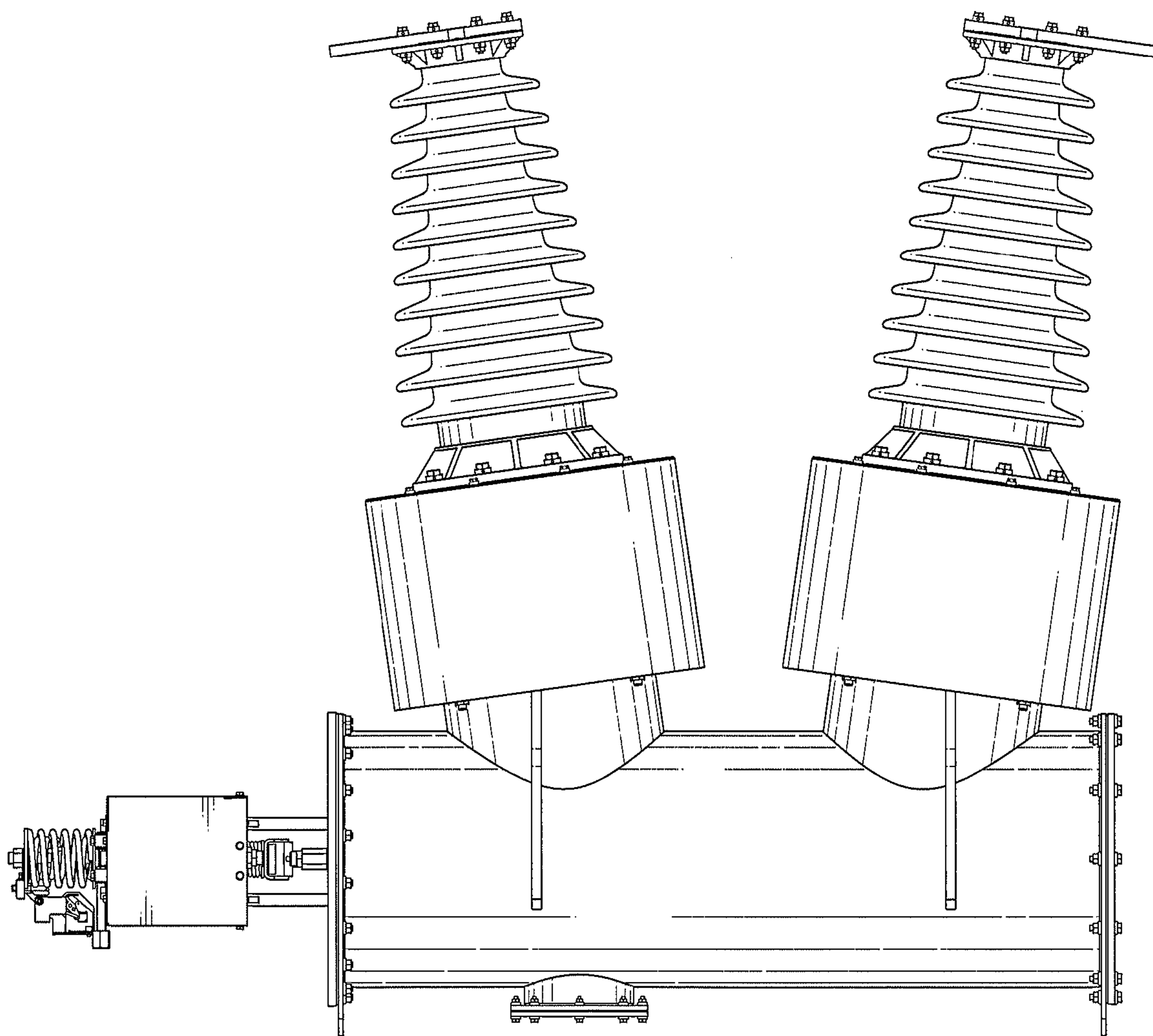


Fig. 6

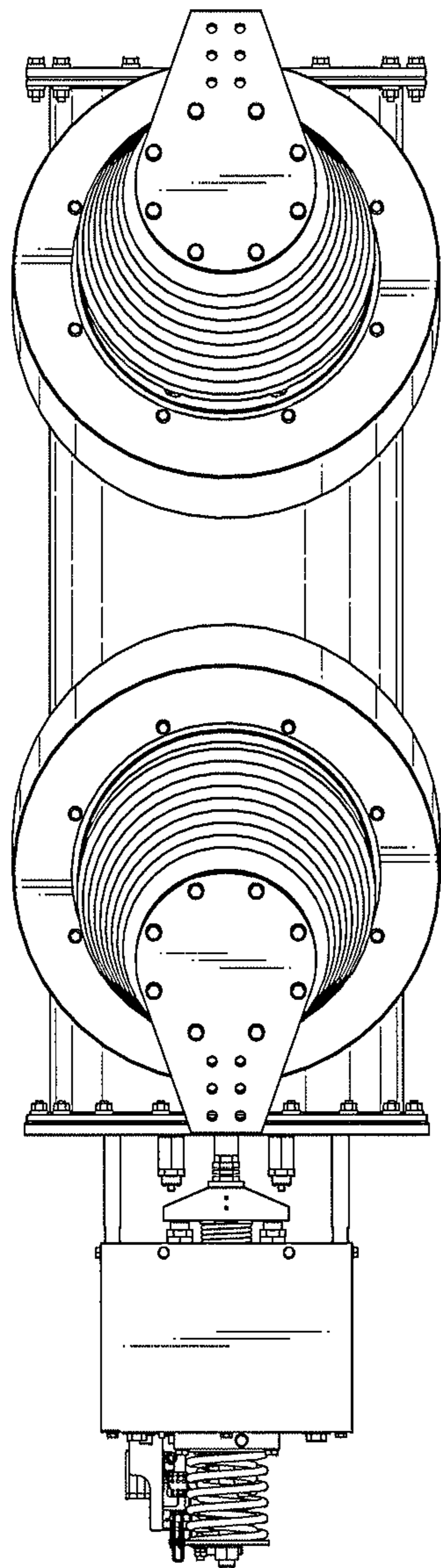


Fig. 7

