



US00D695231S

(12) **United States Design Patent**  
**Shen**

(10) **Patent No.:** **US D695,231 S**

(45) **Date of Patent:** **\*\* Dec. 10, 2013**

(54) **OVERCURRENT PROTECTION  
CIRCUIT-BREAKER**

(76) Inventor: **Jixun Shen**, Zhejiang (CN)

(\*\*) Term: **14 Years**

(21) Appl. No.: **29/423,412**

(22) Filed: **May 31, 2012**

(30) **Foreign Application Priority Data**

Apr. 28, 2012 (CN) ..... 2012 3 0139821

(51) **LOC (9) Cl.** ..... **13-03**

(52) **U.S. Cl.**  
USPC ..... **D13/160**

(58) **Field of Classification Search**  
USPC ..... D13/158, 159, 160, 161, 162, 169;  
200/43.14, 50.01, 50.21-50.23, 51 R,  
200/293, 400, 401; 361/42, 44, 45, 50, 71,  
361/115, 608, 634

See application file for complete search history.

(56) **References Cited**

**U.S. PATENT DOCUMENTS**

5,064,977 A \* 11/1991 Fierro ..... 200/293  
D440,945 S \* 4/2001 Yu ..... D13/169

D440,946 S \* 4/2001 Yu ..... D13/169  
D447,123 S \* 8/2001 Winkler ..... D13/158  
D471,163 S \* 3/2003 Yu ..... D13/169  
D558,150 S \* 12/2007 Yang ..... D13/161  
D562,265 S \* 2/2008 Winkler ..... D13/169  
D658,595 S \* 5/2012 Harada et al. .... D13/169  
D671,080 S \* 11/2012 Andoh et al. .... D13/161  
D671,504 S \* 11/2012 Andoh et al. .... D13/161

\* cited by examiner

*Primary Examiner* — Thomas Johannes

(74) *Attorney, Agent, or Firm* — Global IP Services; Tianhua Gu

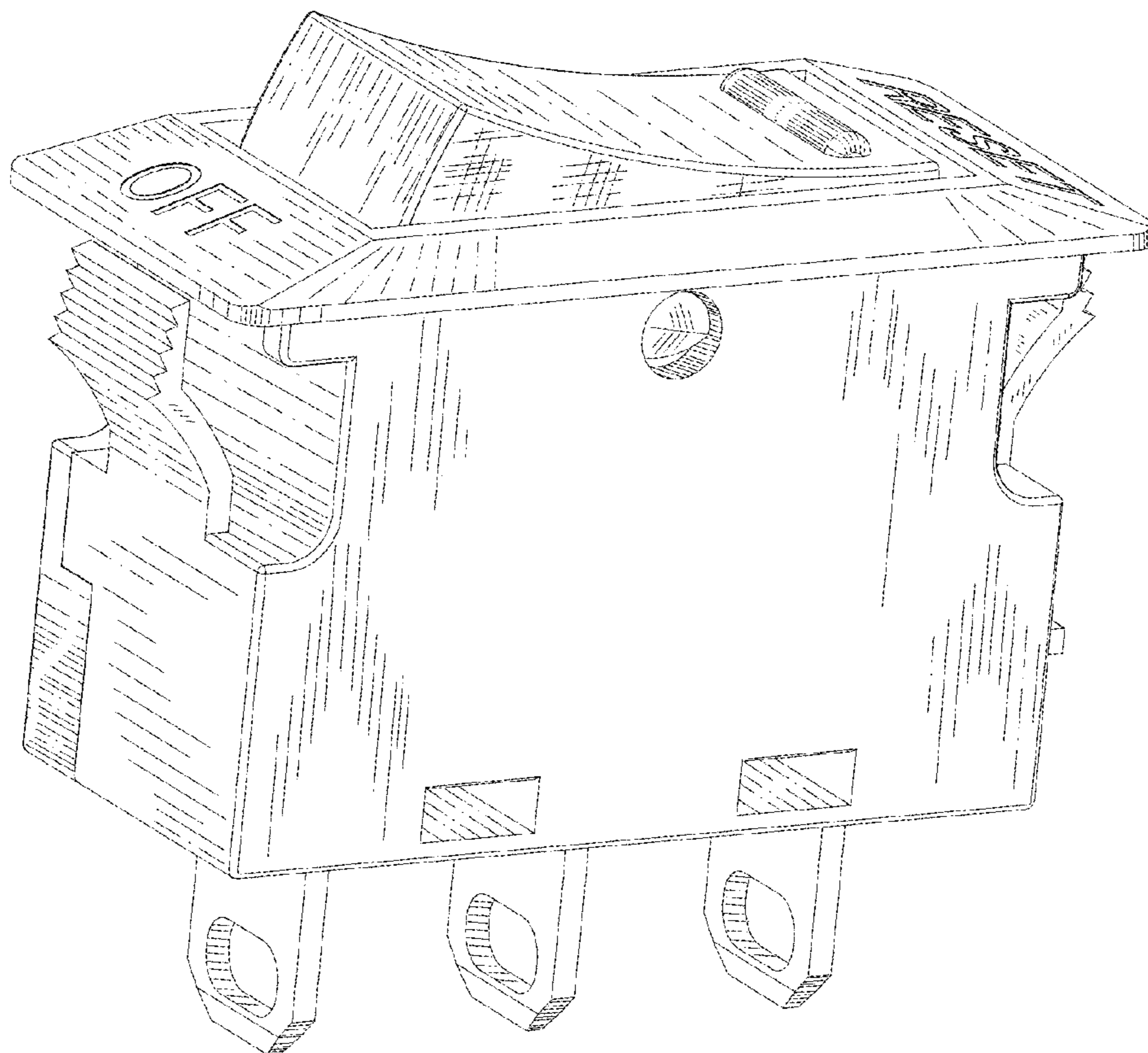
(57) **CLAIM**

The ornamental design for an overcurrent protection circuit-breaker, as shown and described.

**DESCRIPTION**

FIG. 1 is a left front perspective view of an overcurrent protection circuit-breaker showing my new design;  
FIG. 2 is a front elevation view thereof;  
FIG. 3 is a rear elevation view thereof;  
FIG. 4 is a left side elevation view thereof;  
FIG. 5 is a right side elevation view thereof;  
FIG. 6 is a top plan view thereof; and,  
FIG. 7 is a bottom plan view thereof.

**1 Claim, 5 Drawing Sheets**



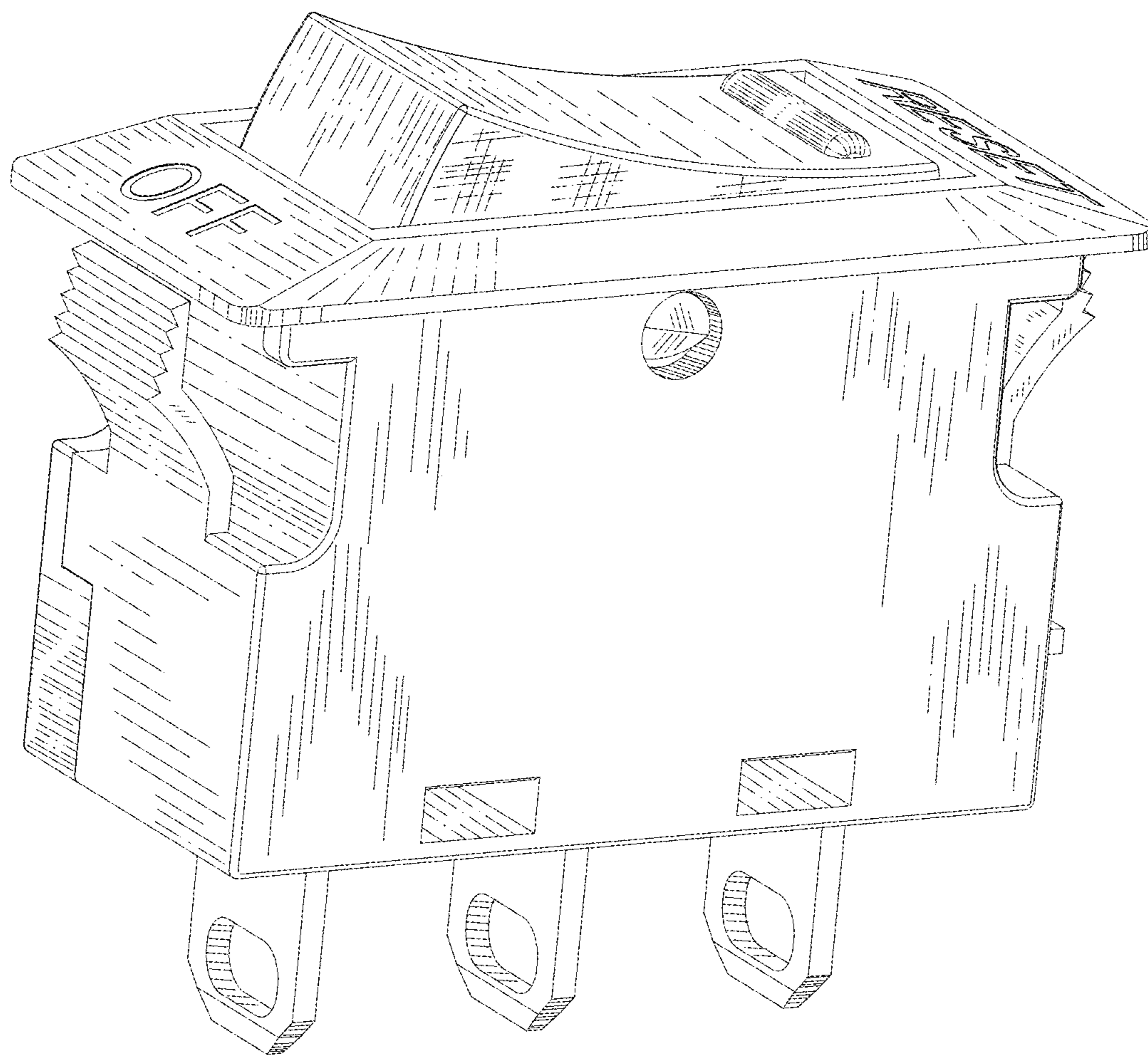


Fig. 1

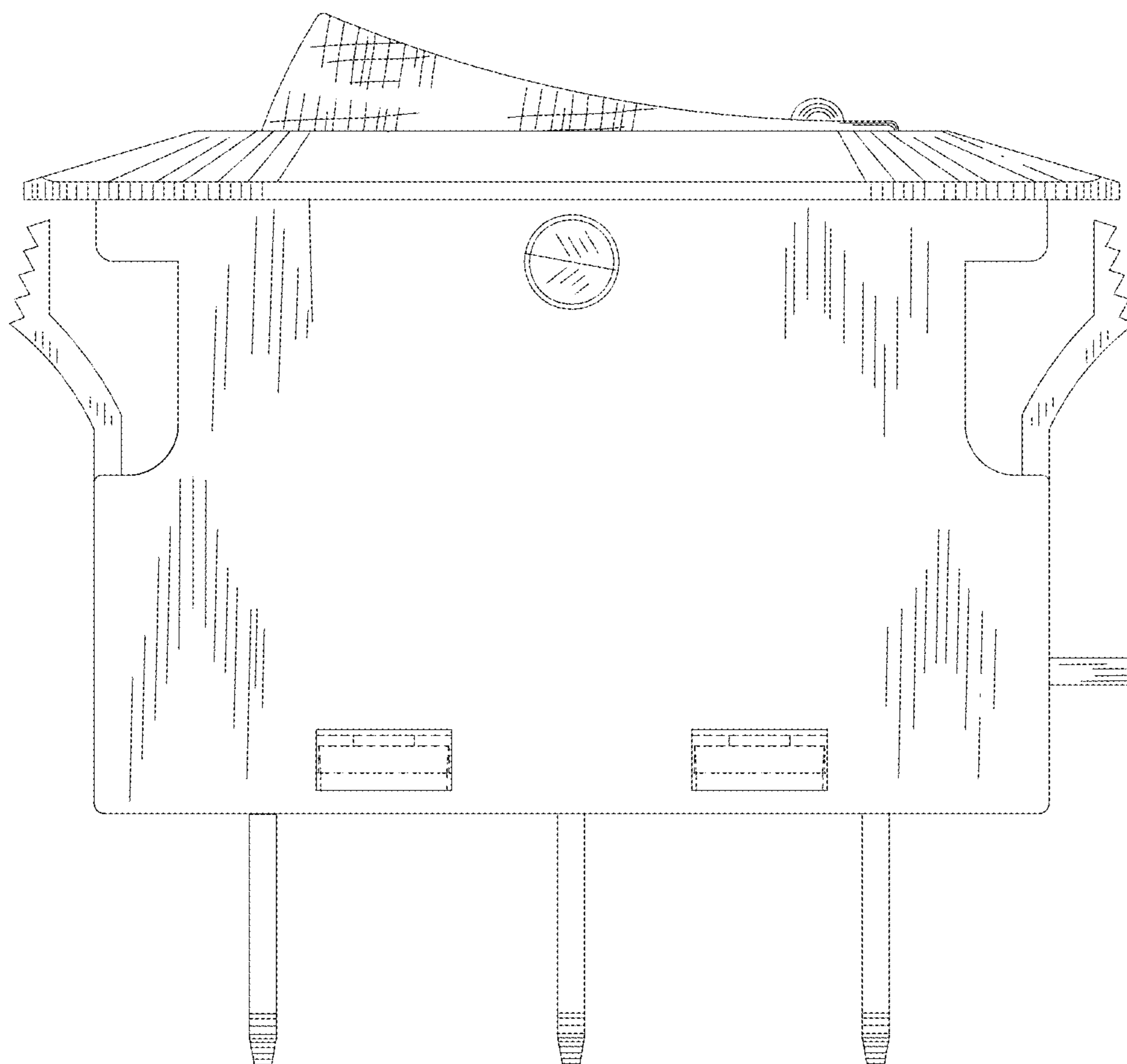


Fig. 2

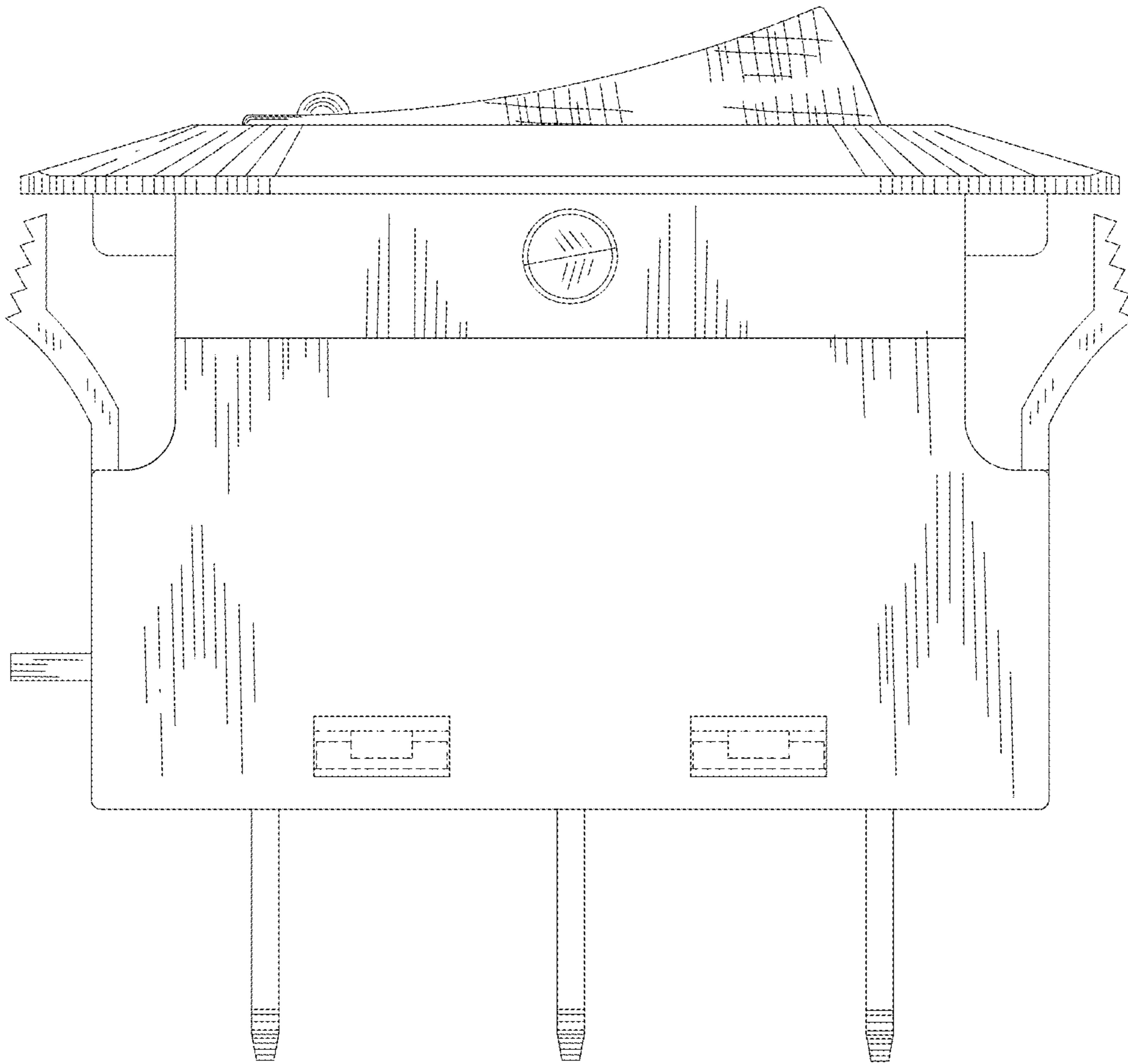


Fig. 3

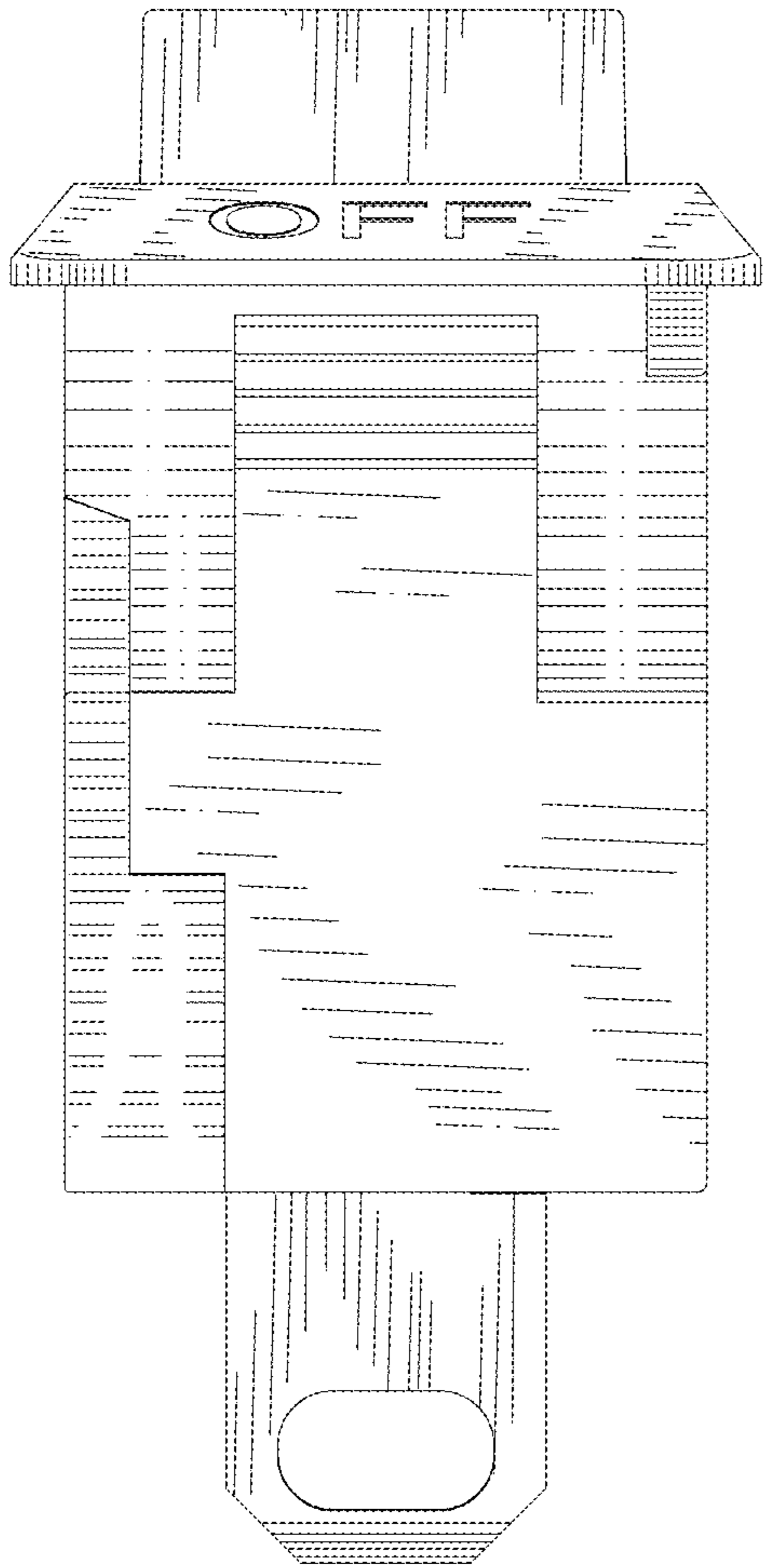


Fig. 4

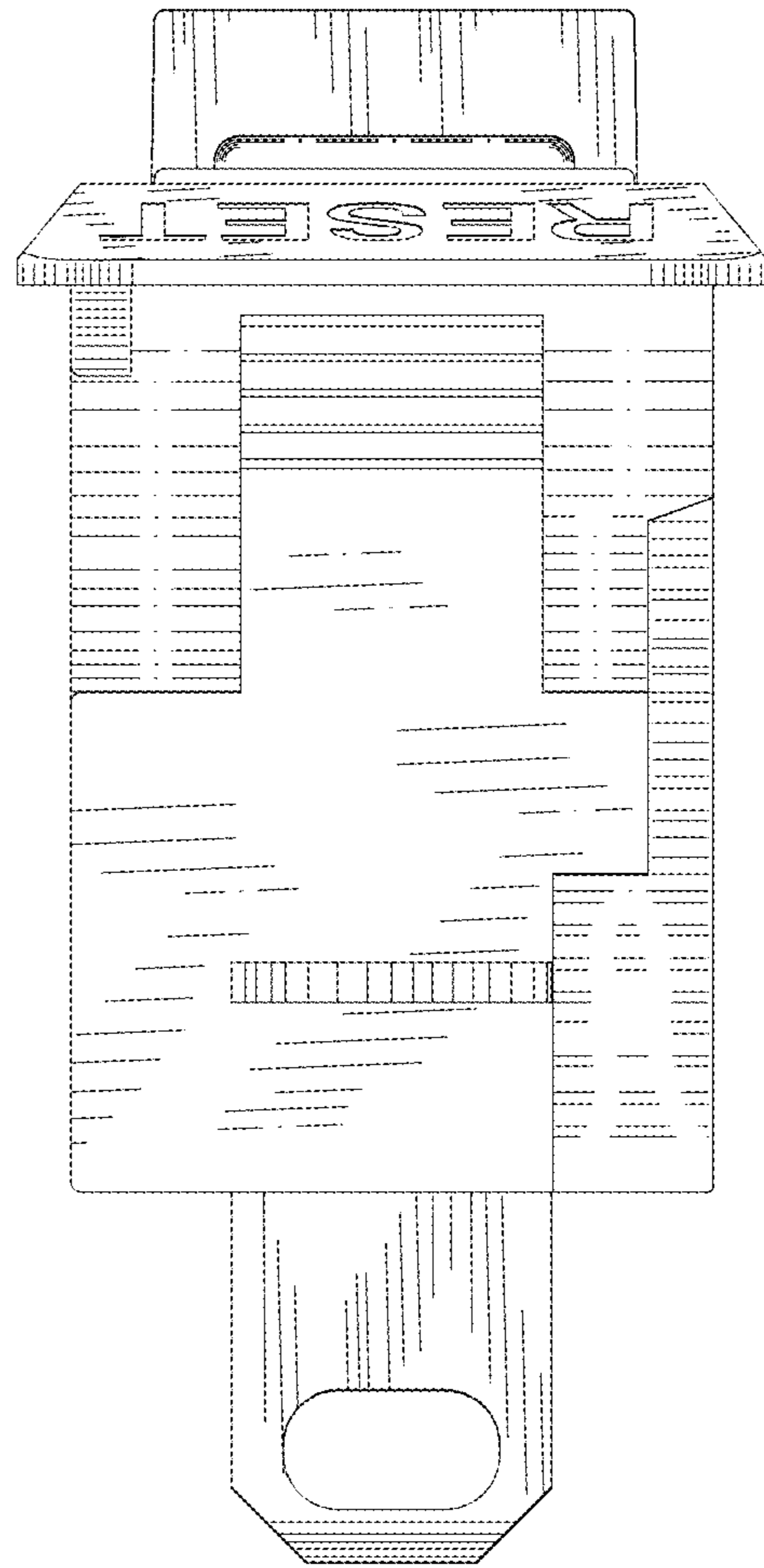


Fig. 5

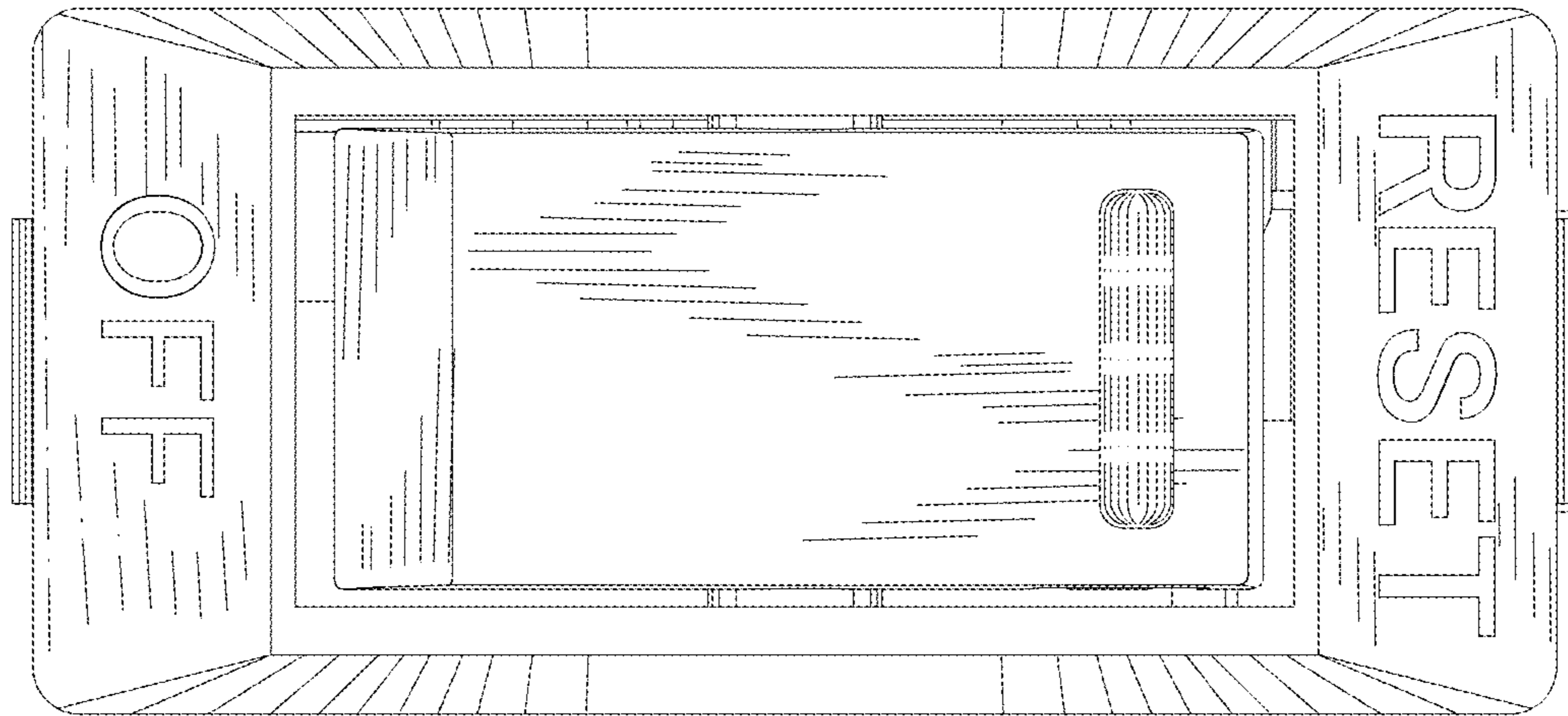


Fig. 6

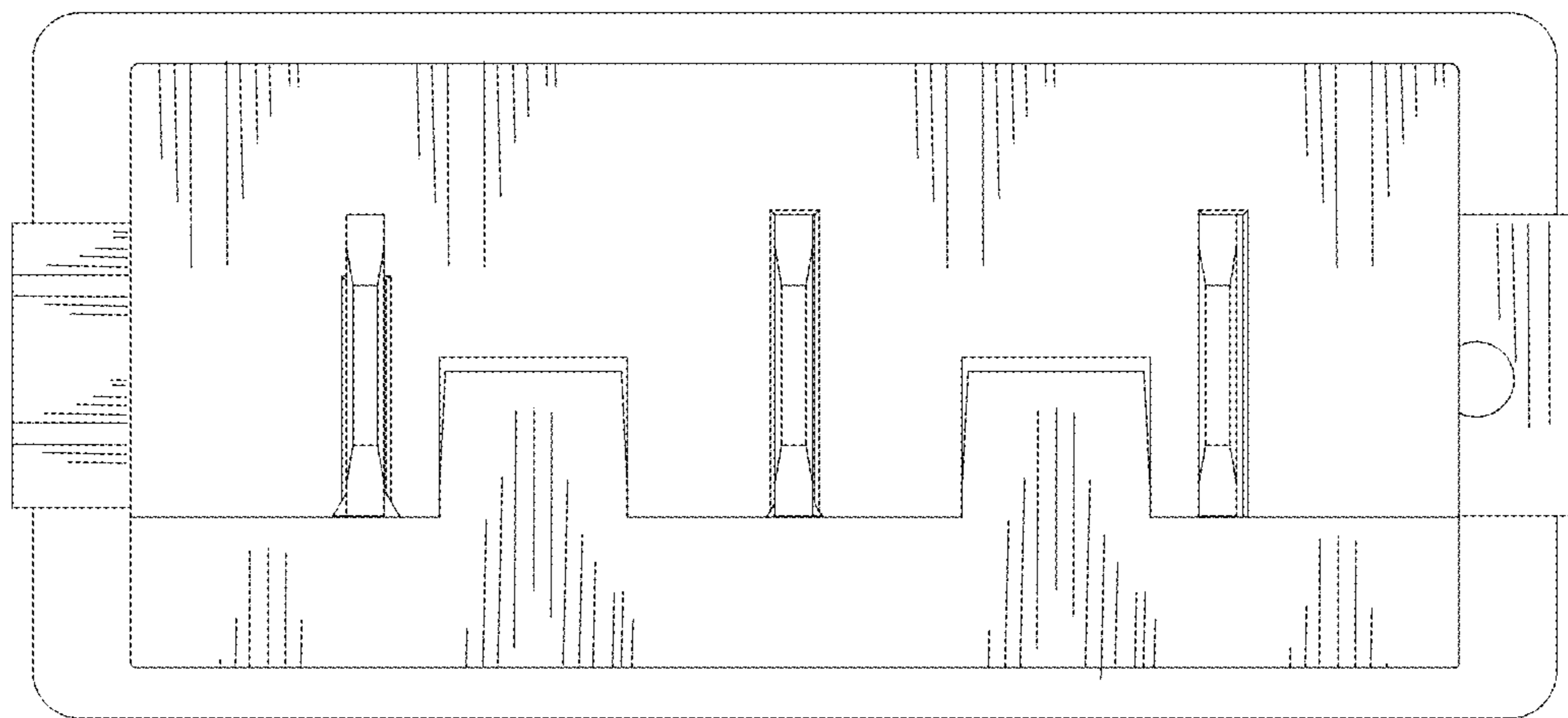


Fig. 7