



US00D695229S

(12) **United States Design Patent**
Ran et al.

(10) **Patent No.:** **US D695,229 S**

(45) **Date of Patent:** **** Dec. 10, 2013**

(54) **POWER SWITCH**

(75) Inventors: **Xiaoke Ran**, Shenzhen (CN);
Chengyong Du, Shenzhen (CN); **Fan Li**,
Shenzhen (CN)

(73) Assignee: **ASCO Power Technologies, L.P.**,
Florham Park, NJ (US)

(**) Term: **14 Years**

(21) Appl. No.: **29/424,045**

(22) Filed: **Jun. 7, 2012**

(30) **Foreign Application Priority Data**

Dec. 9, 2011 (CN) 2011 3 0469282

(51) **LOC (9) Cl.** **13-03**

(52) **U.S. Cl.**
USPC **D13/158**

(58) **Field of Classification Search**
USPC D13/110, 123, 147, 151, 158-177, 184;
200/5 R, 295, 308, 310, 313, 314, 329,
200/340, 1 R, 6 R, 5 A, 296, 302.3, 315, 330,
200/334, 339, 341, 520, 525, 553;
335/131-133, 196, 202, 262, 251;
439/491, 535

See application file for complete search history.

(56) **References Cited**

U.S. PATENT DOCUMENTS

5,424,900 A *	6/1995	Kiiskinen et al.	361/116
D481,362 S *	10/2003	Nurdogan	D13/159
D519,086 S *	4/2006	Bluemel	D13/159
D571,303 S *	6/2008	Jokiniemi et al.	D13/158
D643,373 S *	8/2011	Jokiniemi et al.	D13/158
D655,251 S *	3/2012	Okubo et al.	D13/159
2010/0307895 A1 *	12/2010	Park et al.	200/237

* cited by examiner

Primary Examiner — Thomas Johannes

(74) *Attorney, Agent, or Firm* — Harness, Dickey & Pierce,
P.L.C.

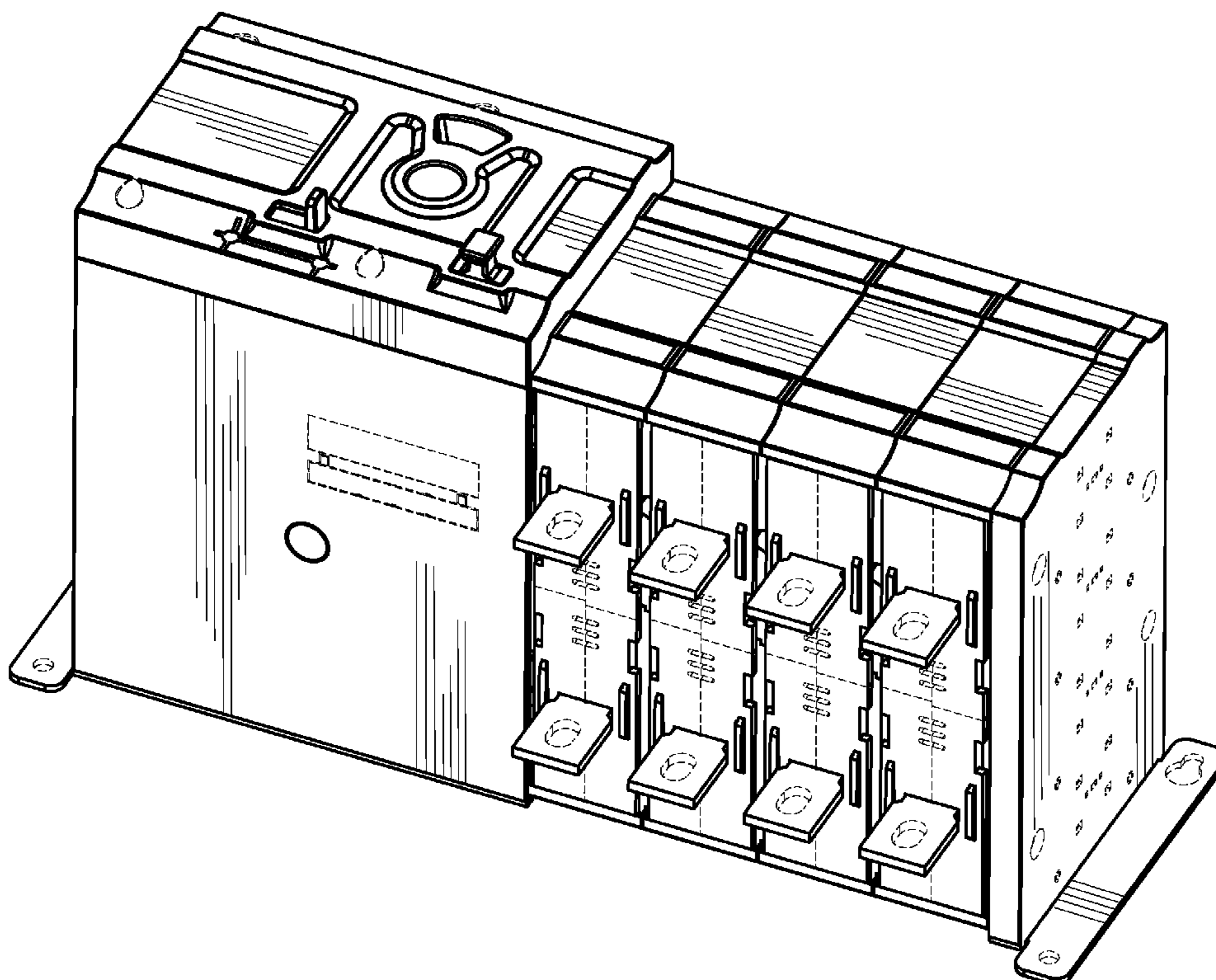
(57) **CLAIM**

The ornamental design for a power switch, as shown and described.

DESCRIPTION

FIG. 1 is a bottom right perspective view showing a power switch in accordance with our new design; FIG. 2 is a top left perspective view thereof; FIG. 3 is a top plan view thereof; FIG. 4 is a left side view thereof; FIG. 5 is a right side view thereof; FIG. 6 is a bottom plan view thereof; FIG. 7 is a front elevation view thereof; and, FIG. 8 is a rear elevation view thereof. The broken lines are for purposes of illustrating portions of the power switch which form no part of the claimed design.

1 Claim, 7 Drawing Sheets



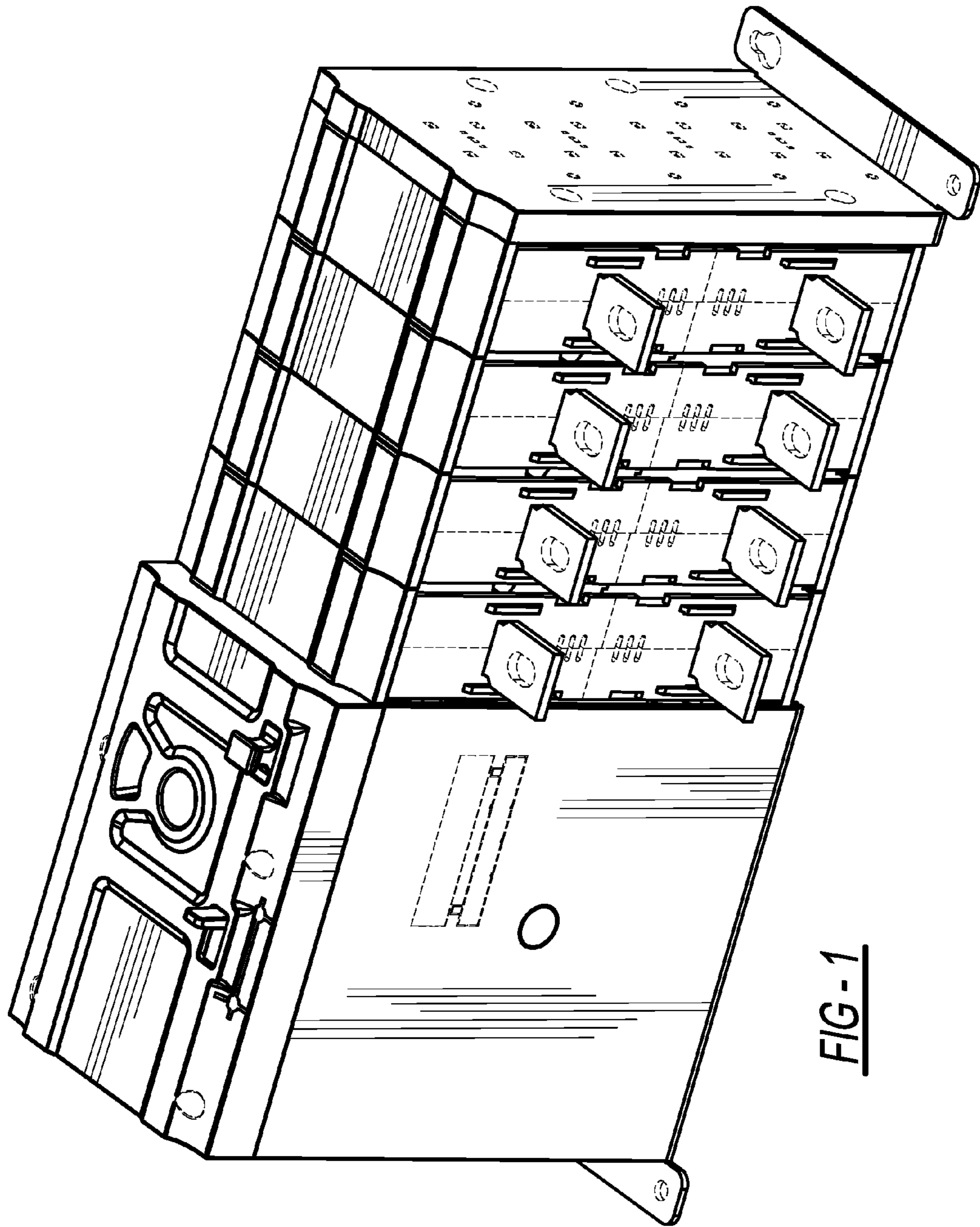


FIG-1

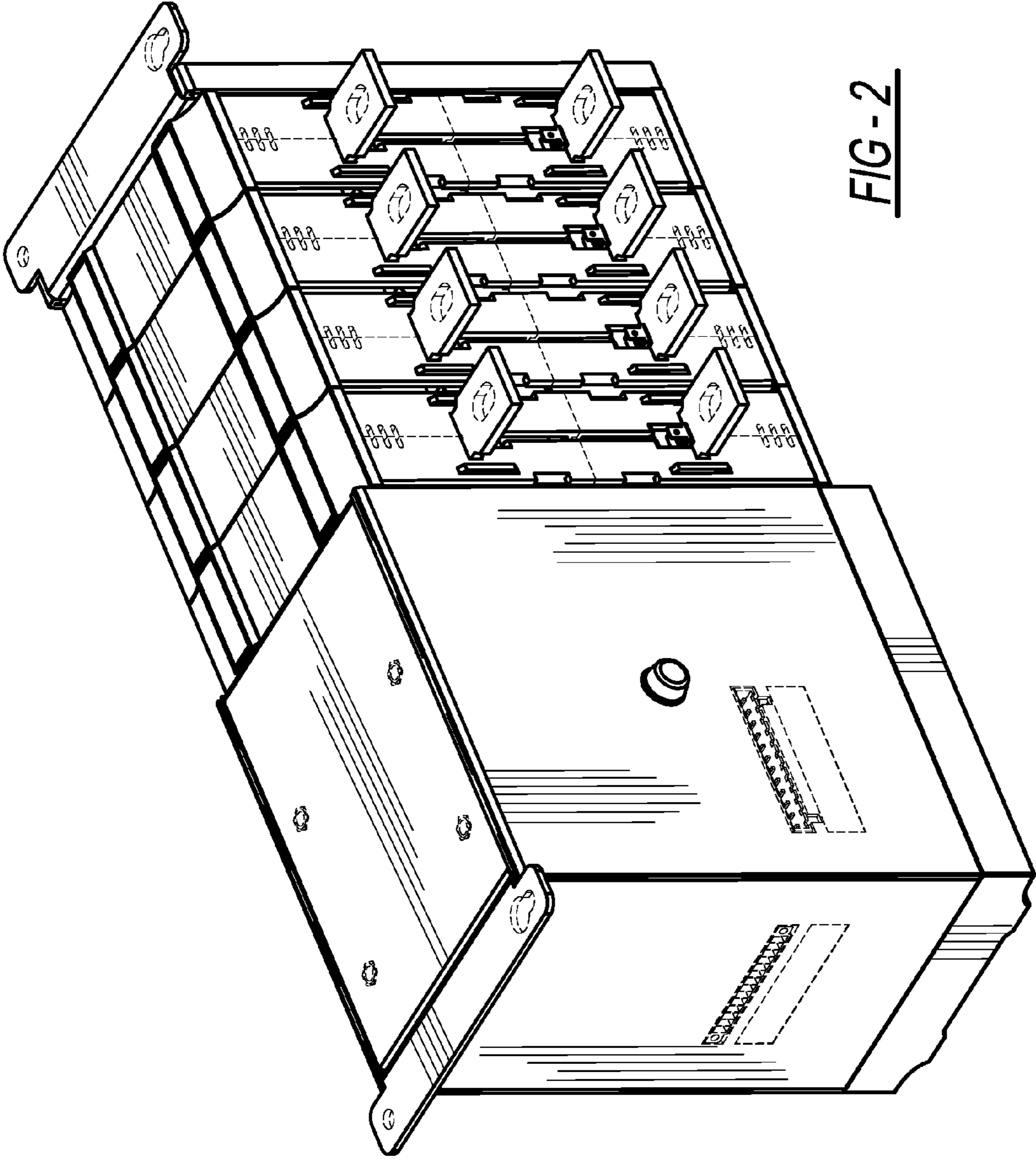


FIG - 2

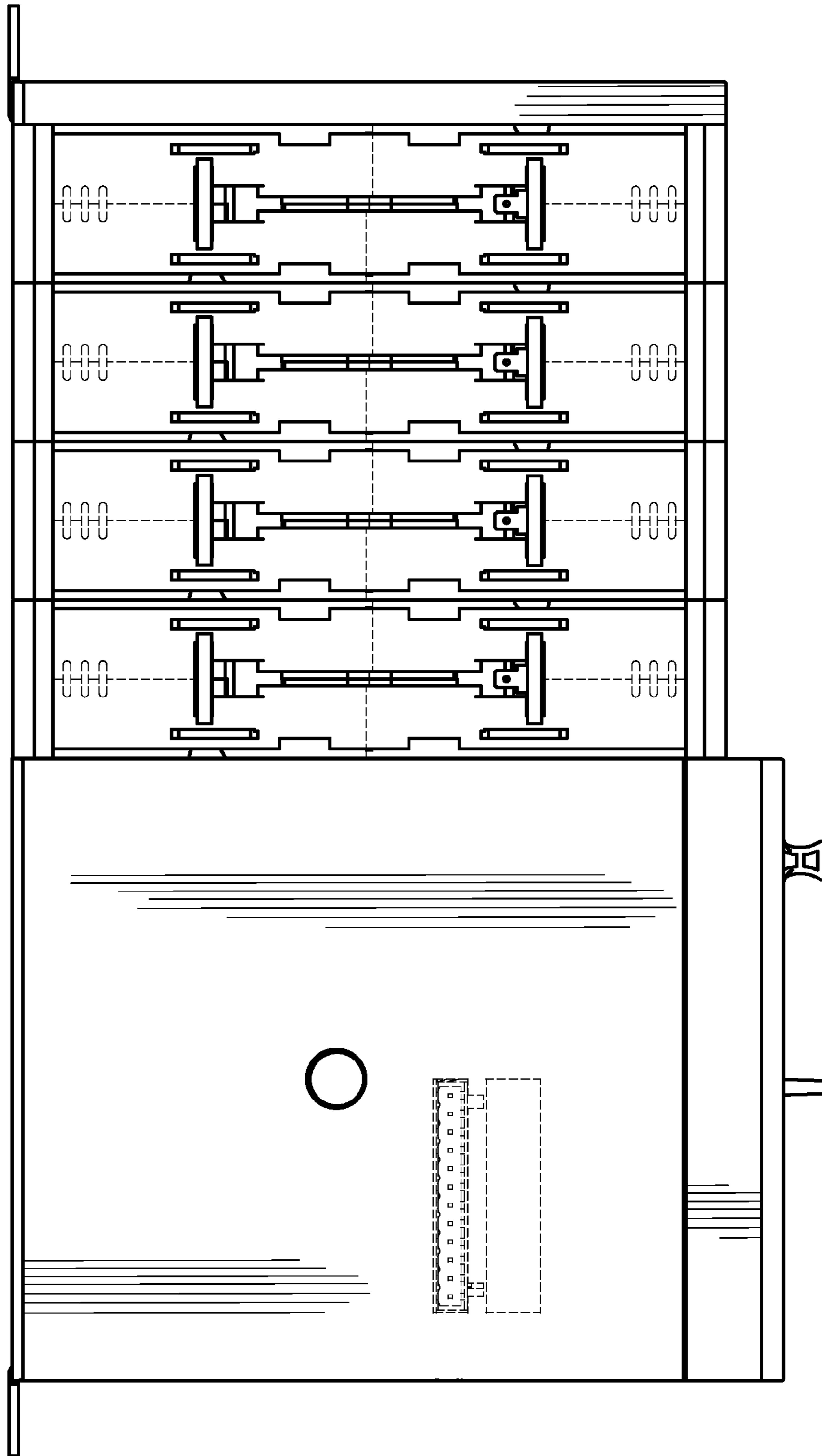
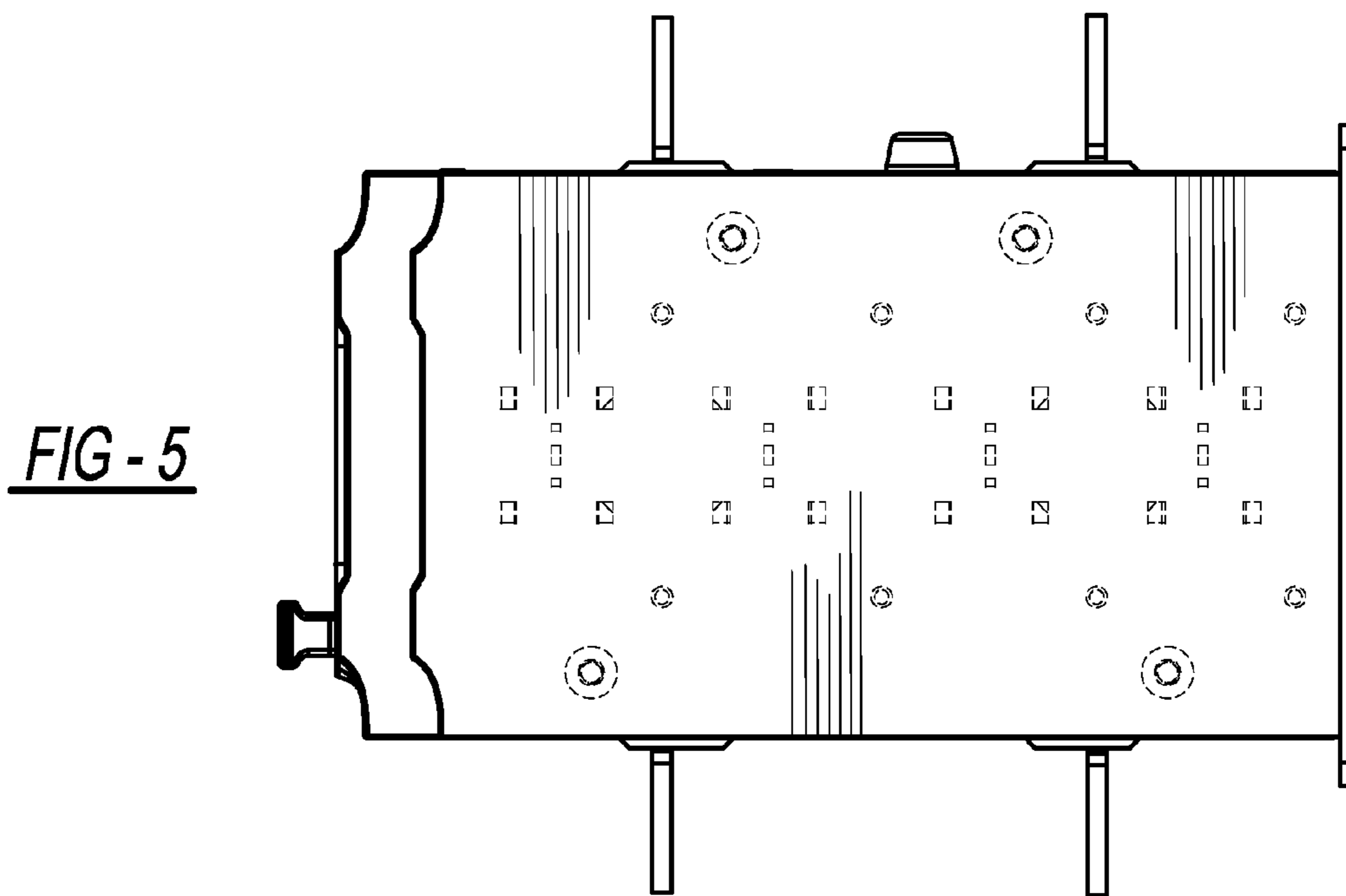
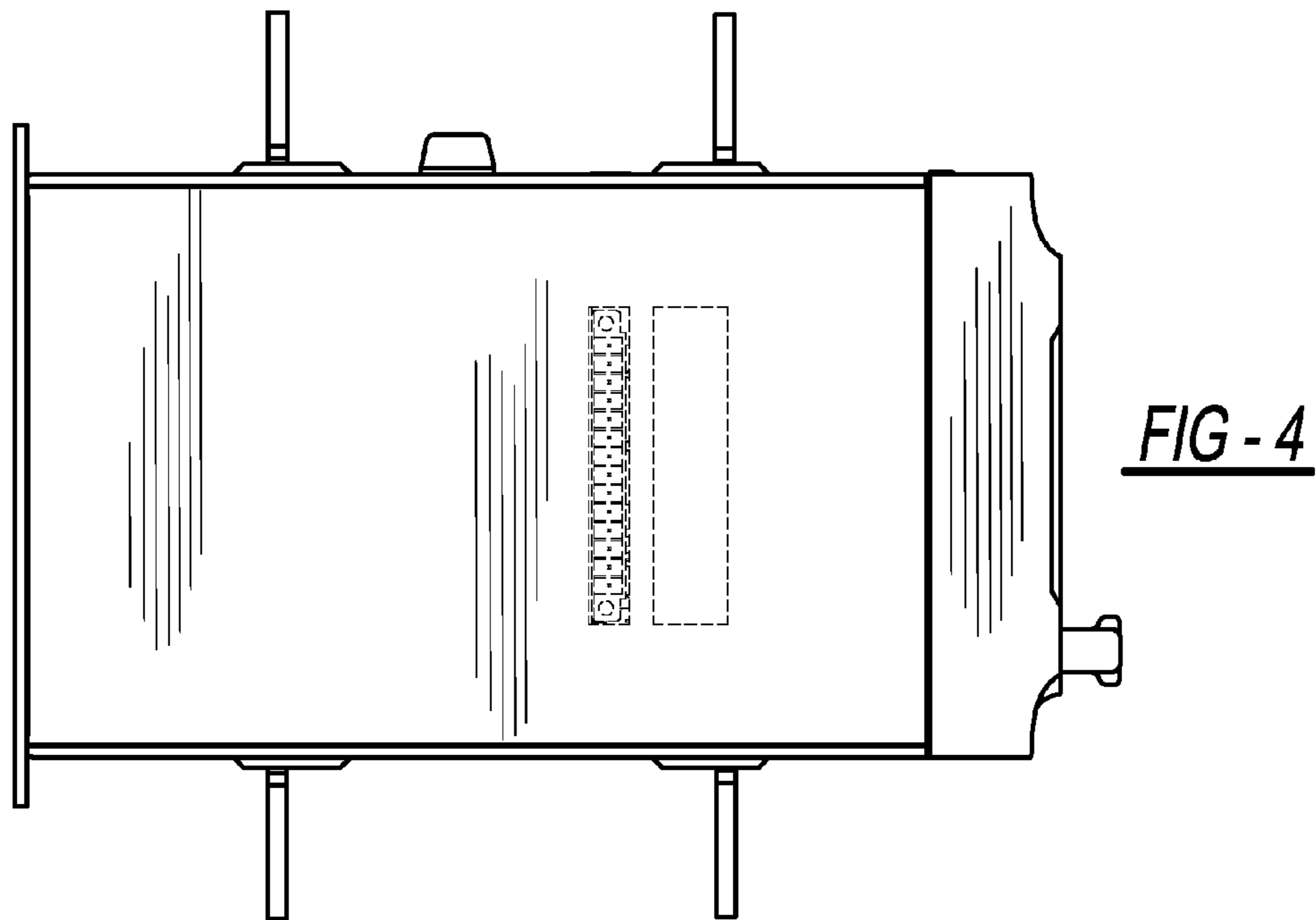


FIG - 3



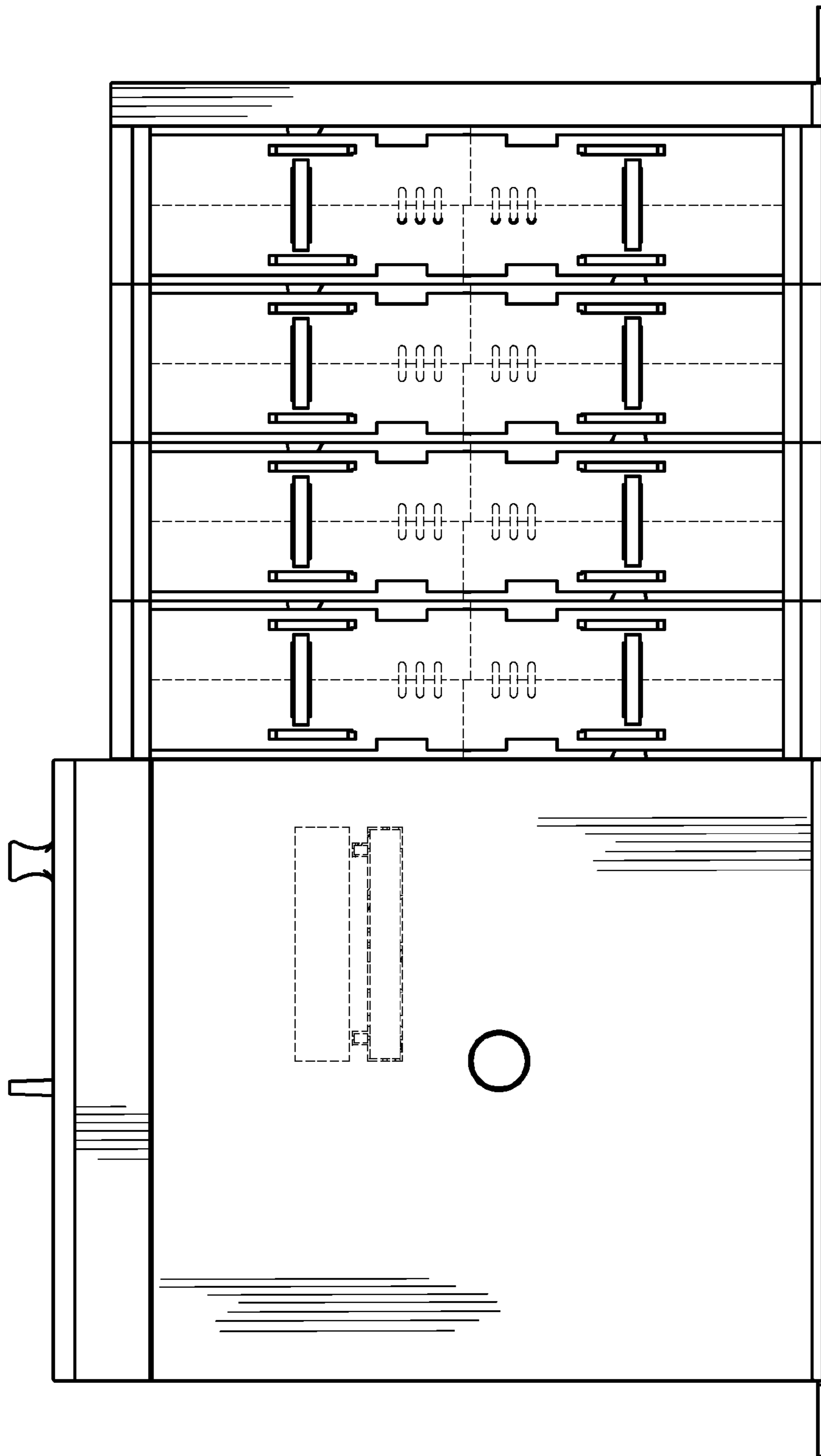


FIG - 6

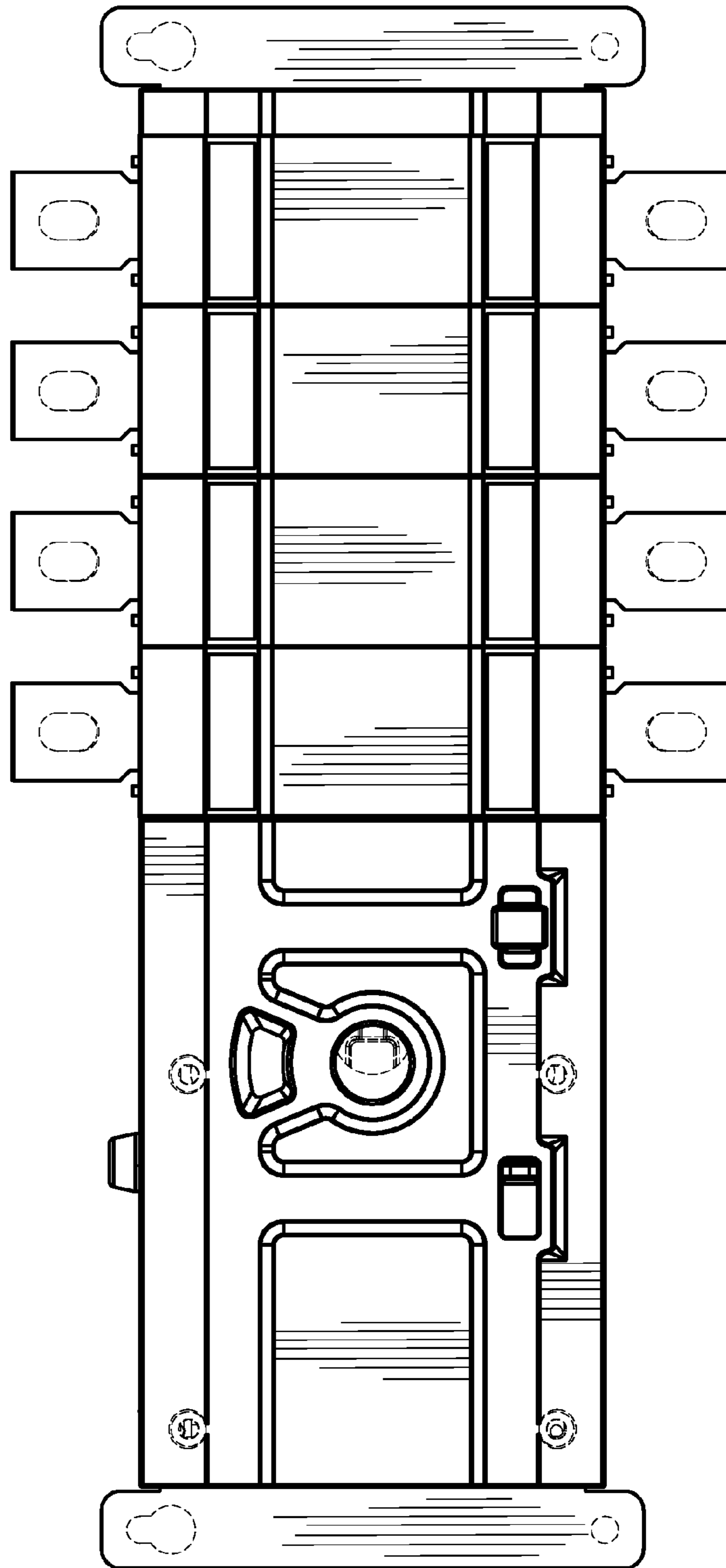


FIG-7

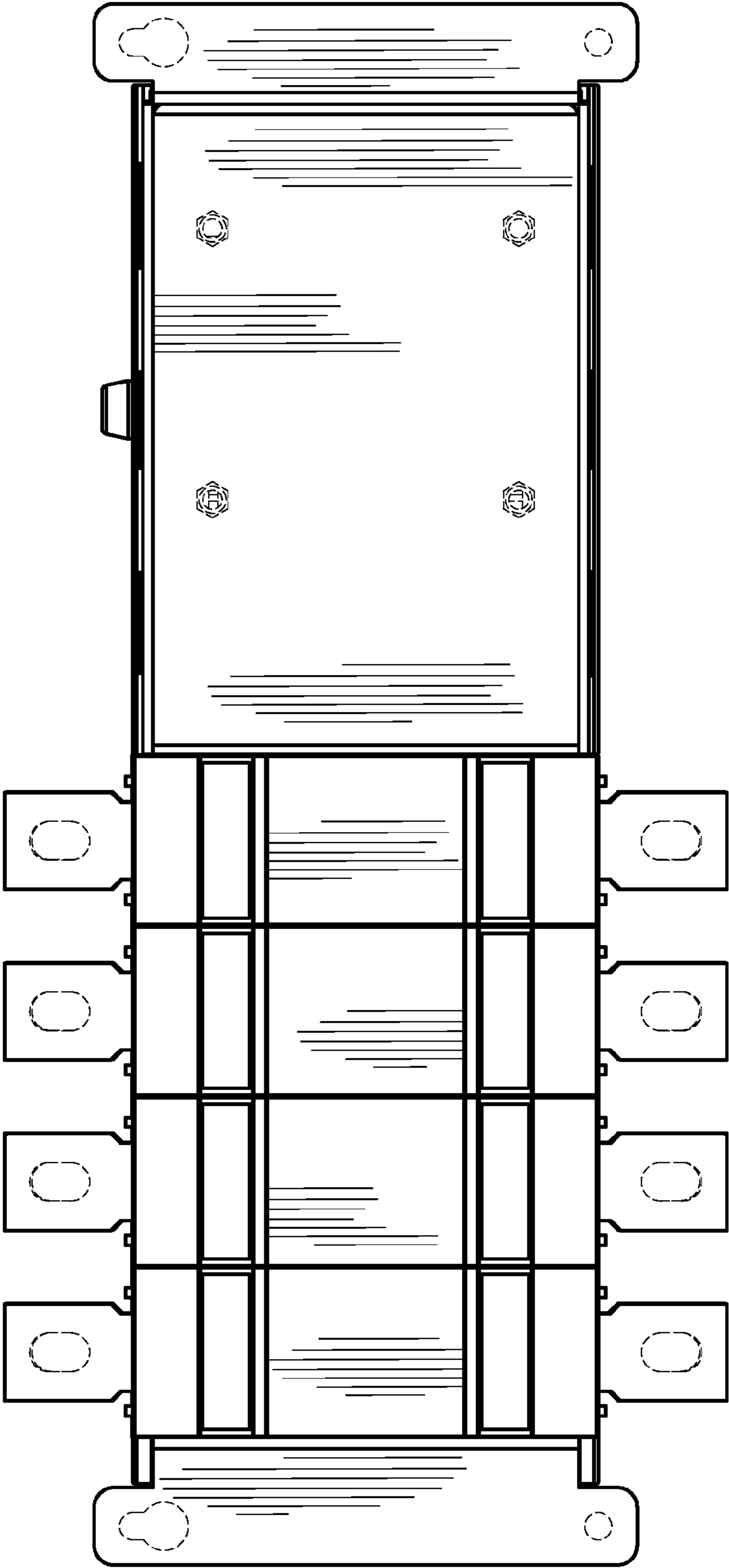


FIG - 8