

US00D695226S

(12) **United States Design Patent**  
**De Iuliis et al.**

(10) **Patent No.:** **US D695,226 S**  
(45) **Date of Patent:** **\*\* Dec. 10, 2013**

(54) **CONNECTOR**

(75) Inventors: **Daniele De Iuliis**, San Francisco, CA (US); **Dominic E. Dolci**, Oakland, CA (US); **Alexander M. Kwan**, Los Altos Hills, CA (US); **Cesar Lozano Villarreal**, Sunnyvale, CA (US); **Ricardo A. Mariano**, Hayward, CA (US); **James G. Smeenge**, Los Gatos, CA (US); **Victoria A. Spielmann**, San Francisco, CA (US)

(73) Assignee: **Apple Inc.**, Cupertino, CA (US)

(\*\*) Term: **14 Years**

(21) Appl. No.: **29/392,460**

(22) Filed: **May 20, 2011**

(51) **LOC (9) Cl.** ..... **13-03**

(52) **U.S. Cl.**  
USPC ..... **D13/147**

(58) **Field of Classification Search**  
USPC ..... D13/147, 153, 154, 184, 199;  
439/476.1, 489, 502, 505, 578, 607.01,  
439/607.04, 607.05, 607.06, 607.17,  
439/607.21, 607.23, 607.25, 607.34,  
439/607.41, 607.53, 623, 660, 668, 680  
See application file for complete search history.

(56) **References Cited**

**U.S. PATENT DOCUMENTS**

D273,295 S 4/1984 Stewart  
4,484,158 A 11/1984 Roberts et al.  
D346,788 S \* 5/1994 Korzik et al. .... D13/147  
D390,828 S 2/1998 Aramaki  
D418,479 S 1/2000 Chiou  
D452,218 S \* 12/2001 Imai ..... D13/153  
6,336,827 B1 1/2002 Akama et al.  
D465,459 S 11/2002 Zhu et al.  
D546,277 S 7/2007 Andre et al.

D592,601 S \* 5/2009 Kurita ..... D13/153  
D601,097 S 9/2009 Novotney et al.  
D621,359 S \* 8/2010 Hsu et al. .... D13/147  
D637,192 S 5/2011 Andre et al.  
D637,193 S 5/2011 Andre et al.  
D675,574 S \* 2/2013 Farris-Gilbert et al. .... D13/147

**FOREIGN PATENT DOCUMENTS**

JP 1049198 S 9/1999  
JP 1075497 S 6/2000  
JP 1163316 S 1/2003  
JP 1185626 S 9/2003  
JP 1185627 S 9/2003  
JP 1228505 S 1/2005  
KR 193346 S 3/1997

\* cited by examiner

*Primary Examiner* — Daniel Bui

(74) *Attorney, Agent, or Firm* — Sterne, Kessler, Goldstein & Fox P.L.L.C.

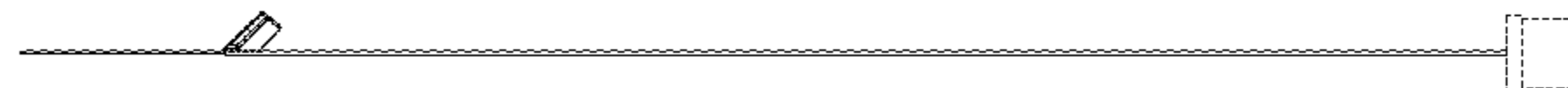
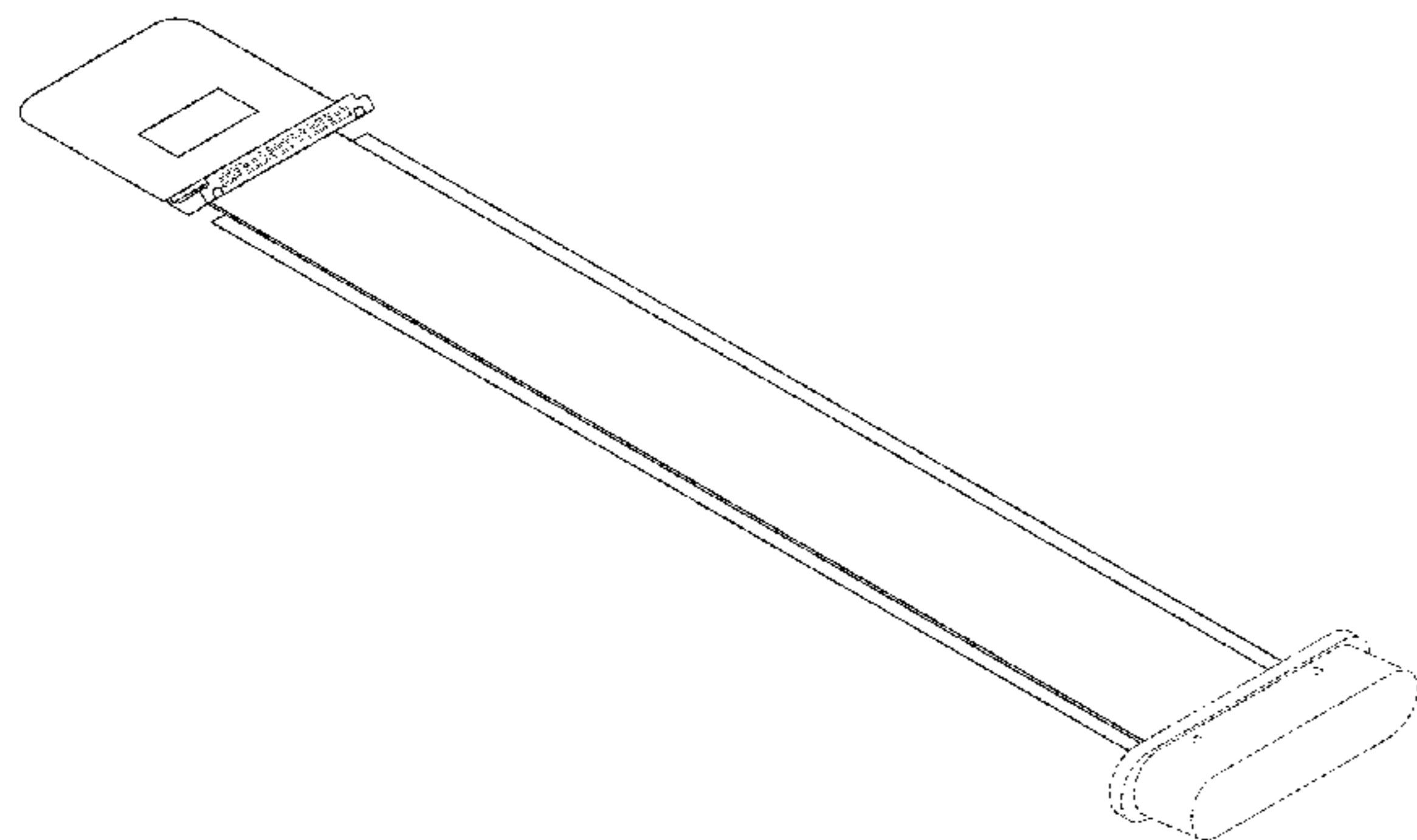
(57) **CLAIM**

The ornamental design for a connector, as shown and described.

**DESCRIPTION**

FIG. 1 is a bottom front perspective view of a connector showing our new design;  
FIG. 2 is a top rear perspective view thereof;  
FIG. 3 is a top front perspective view thereof;  
FIG. 4 is a bottom rear perspective view thereof;  
FIG. 5 is a front view thereof;  
FIG. 6 is a rear view thereof;  
FIG. 7 is a top view thereof;  
FIG. 8 is bottom view thereof;  
FIG. 9 is a side view thereof; and,  
FIG. 10 is another side view thereof.  
The broken lines show unclaimed environmental portions of the connector and form no part of the claimed design.

**1 Claim, 6 Drawing Sheets**



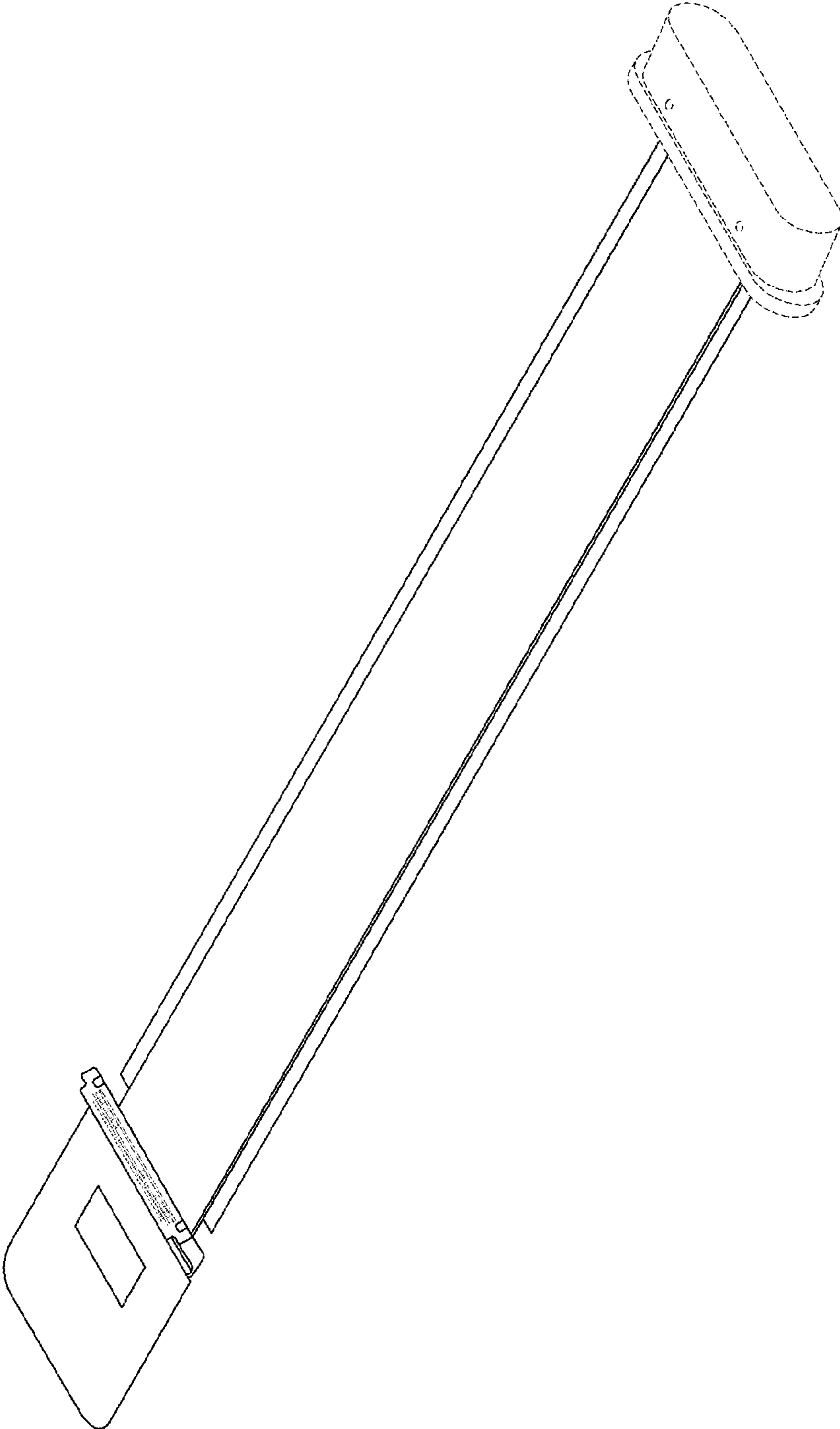


FIG. 1

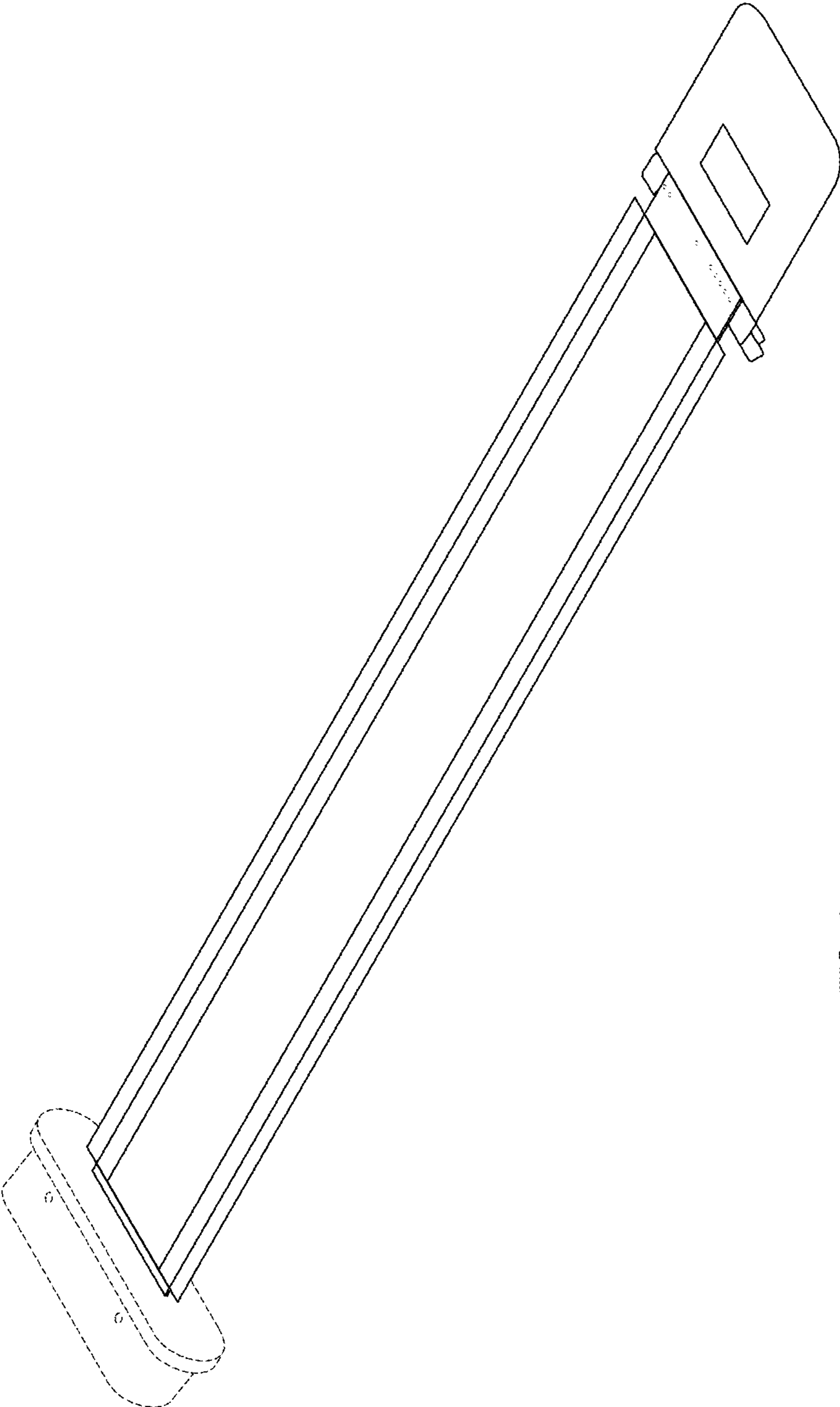


FIG. 2

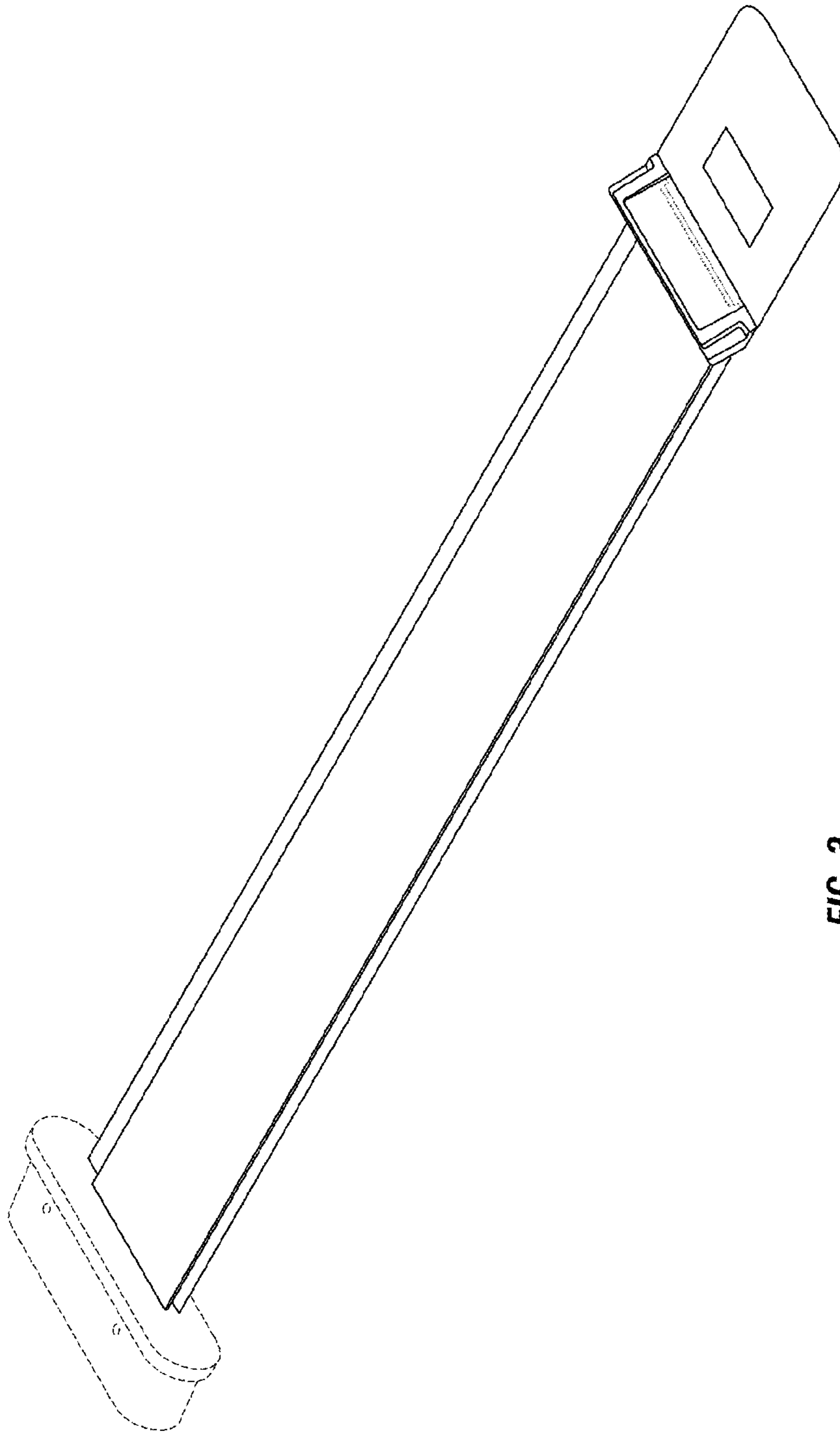


FIG. 3

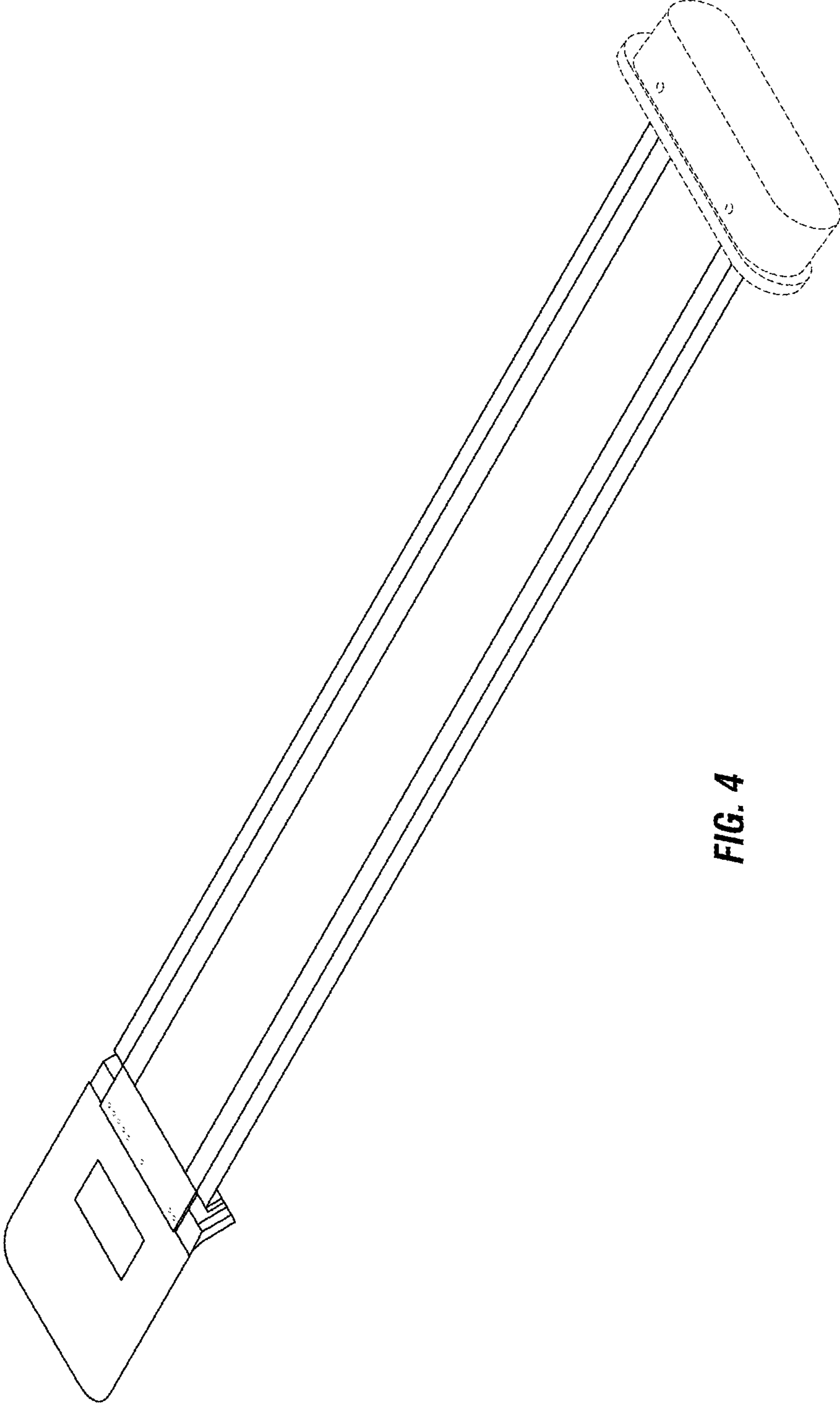
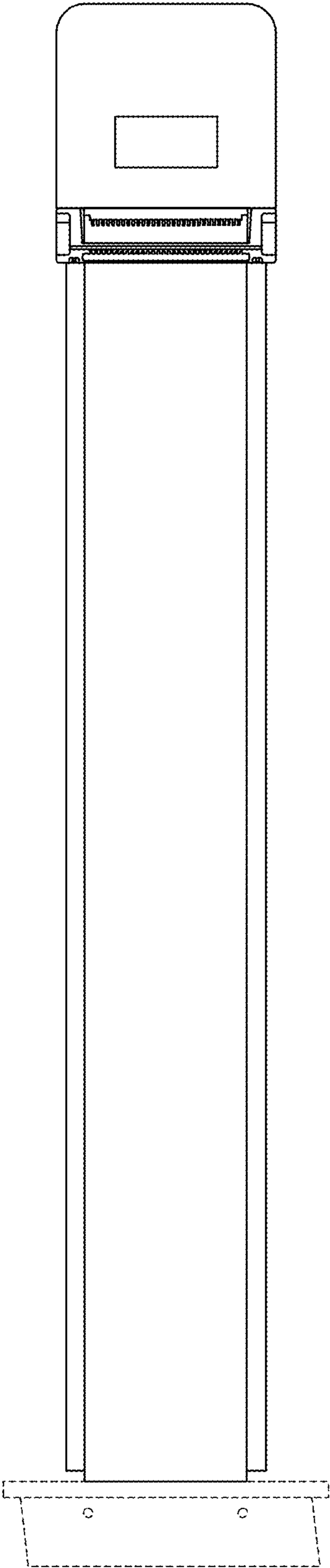
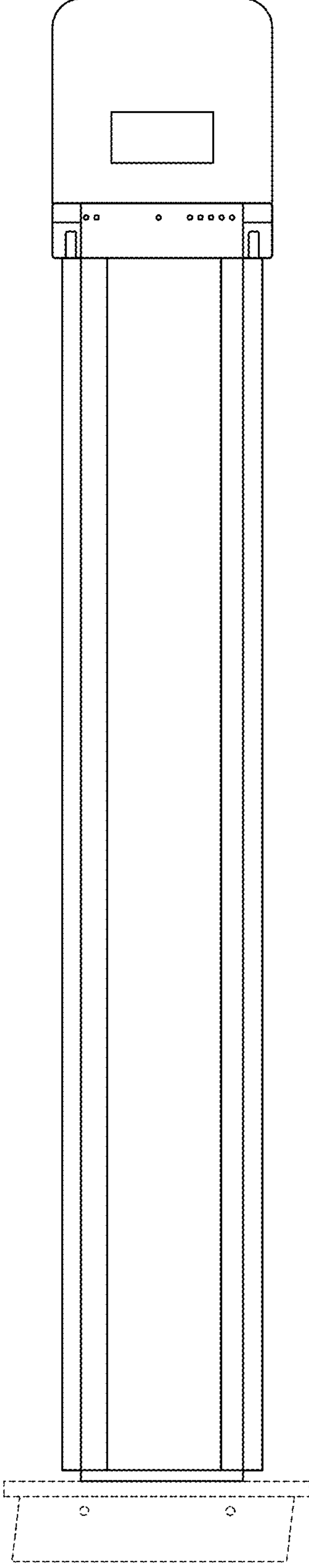


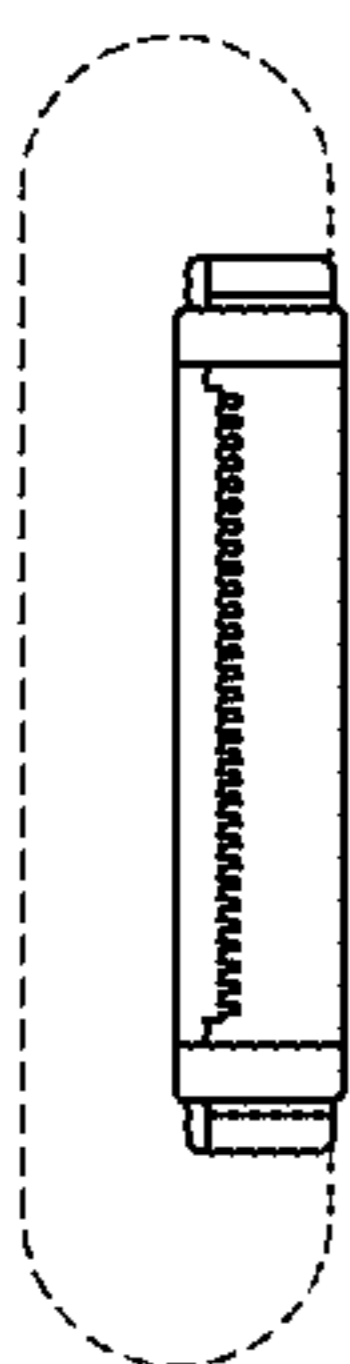
FIG. 4



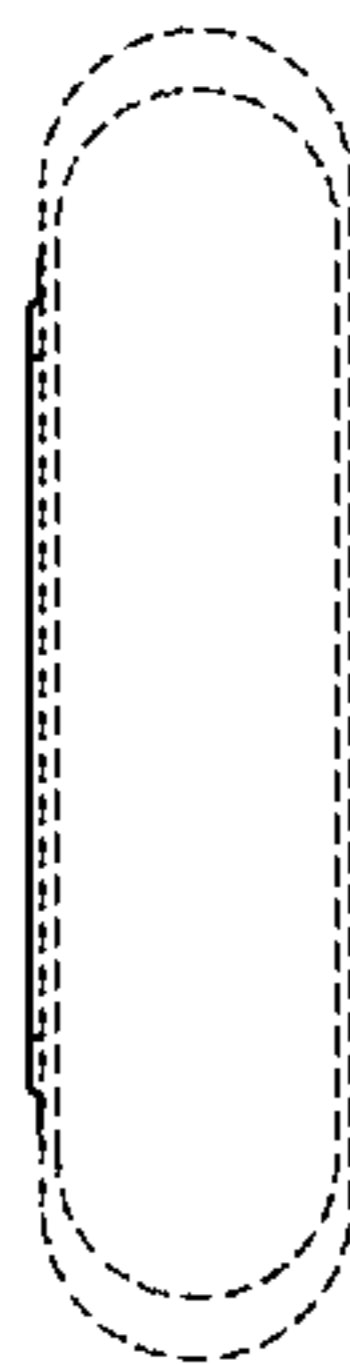
*FIG. 5*



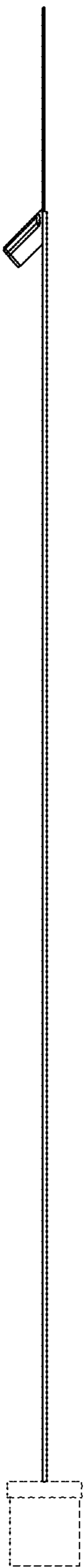
*FIG. 6*



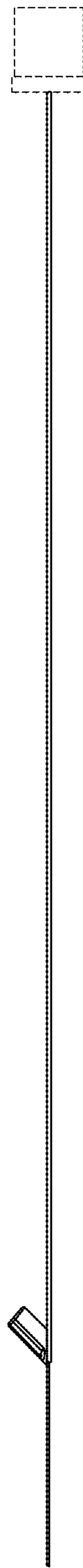
**FIG. 7**



**FIG. 8**



**FIG. 9**



**FIG. 10**