



US00D695224S

(12) **United States Design Patent**
Picard et al.

(10) **Patent No.:** **US D695,224 S**

(45) **Date of Patent:** **** Dec. 10, 2013**

(54) **UNDERCABINET FRAME**

(75) Inventors: **Richard R. Picard**, West Hartford, CT (US); **Phillip D. Prestigomo**, Simsbury, CT (US); **Taesuk Yang**, Wallingford, CT (US)

(73) Assignee: **The Wiremold Company**, West Hartford, CT (US)

(**) Term: **14 Years**

(21) Appl. No.: **29/428,833**

(22) Filed: **Aug. 3, 2012**

(51) **LOC (9) Cl.** **13-03**

(52) **U.S. Cl.**
USPC **D13/139.4**

(58) **Field of Classification Search**
USPC D13/152, 164, 184, 137.1, 153, 137.2, D13/133, 137.4, 139.7, 130, 128, 132, D13/138.2, 139.3, 139.1-139.2, 138.1, D13/139.4, 139.8, 139.6, 123, 160, 107, D13/155; 361/624, 679.01, 683; D9/416, D9/423, 424, 452; D8/356; D25/119, 124; 52/173.1, 656.2; 248/231.91
See application file for complete search history.

(56) **References Cited**

U.S. PATENT DOCUMENTS

D424,026 S * 5/2000 Kabat D13/184
D471,877 S * 3/2003 Dyer et al. D13/155
D498,211 S * 11/2004 Thibault D13/155

D539,755 S * 4/2007 Makwinski et al. D13/155
D619,992 S * 7/2010 Wayman D14/140.5
D640,983 S * 7/2011 Alves et al. D13/152

* cited by examiner

Primary Examiner — Robert M Spear

Assistant Examiner — Rhea Shields

(74) *Attorney, Agent, or Firm* — McCormick, Paulding & Huber LLP

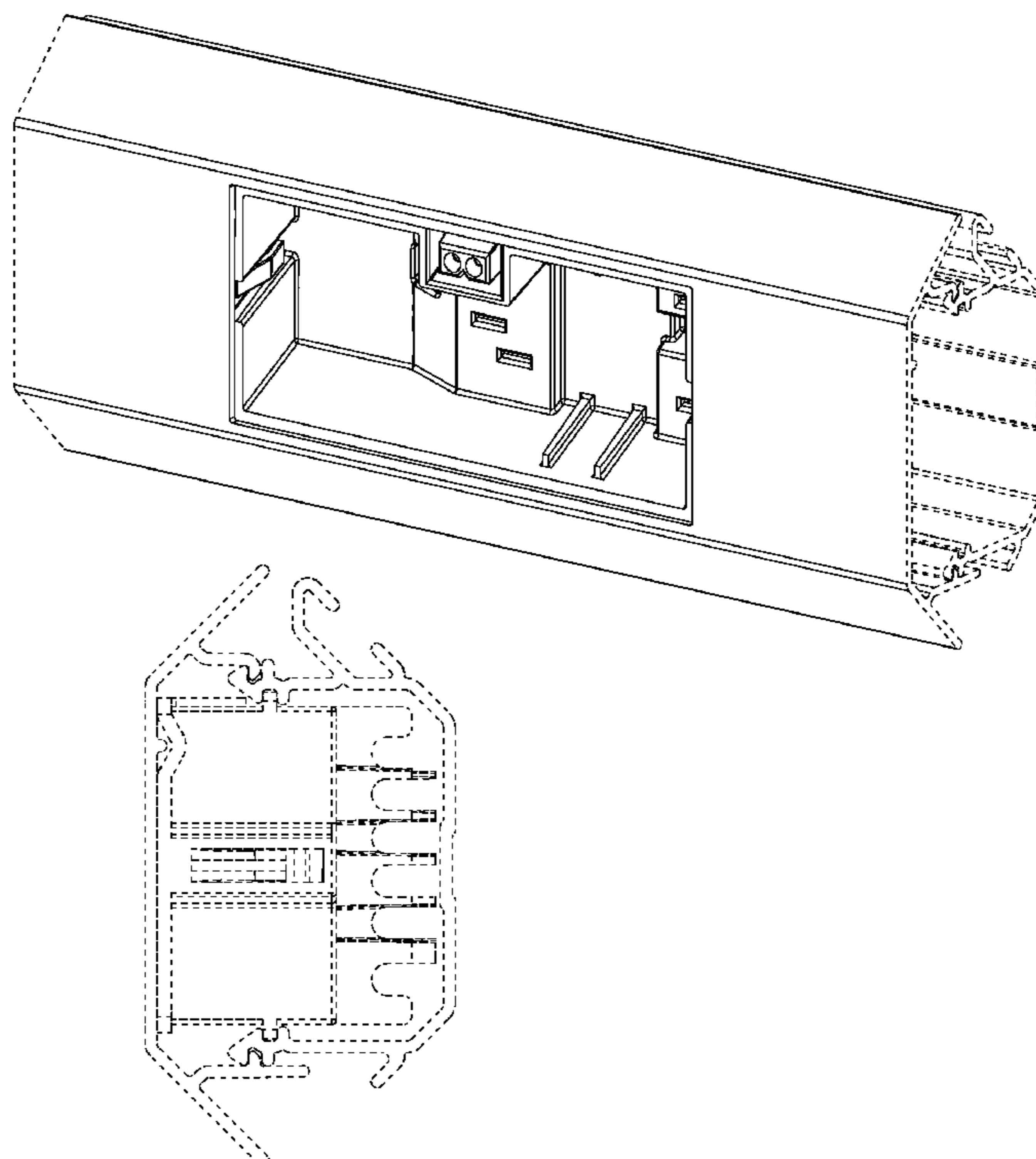
(57) **CLAIM**

The ornamental design for an undercabinet frame, substantially as shown and described.

DESCRIPTION

FIG. 1 is a front, top, right-hand side perspective view of an undercabinet frame comprising a new, original and ornamental design;
FIG. 2 is a front view of an undercabinet frame comprising the new, original and ornamental design;
FIG. 3 is a top view of an undercabinet frame comprising the new, original and ornamental design;
FIG. 4 is a bottom view of an undercabinet frame comprising the new, original and ornamental design;
FIG. 5 is a left-hand side view of an undercabinet frame comprising the new, original and ornamental design;
FIG. 6 is a right-hand side view of an undercabinet frame comprising the new, original and ornamental design; and,
FIG. 7 is a rear view of an undercabinet frame comprising the new, original and ornamental design.
The broken lines shown in the drawings depict unclaimed environment and form no part of the claim.

1 Claim, 5 Drawing Sheets



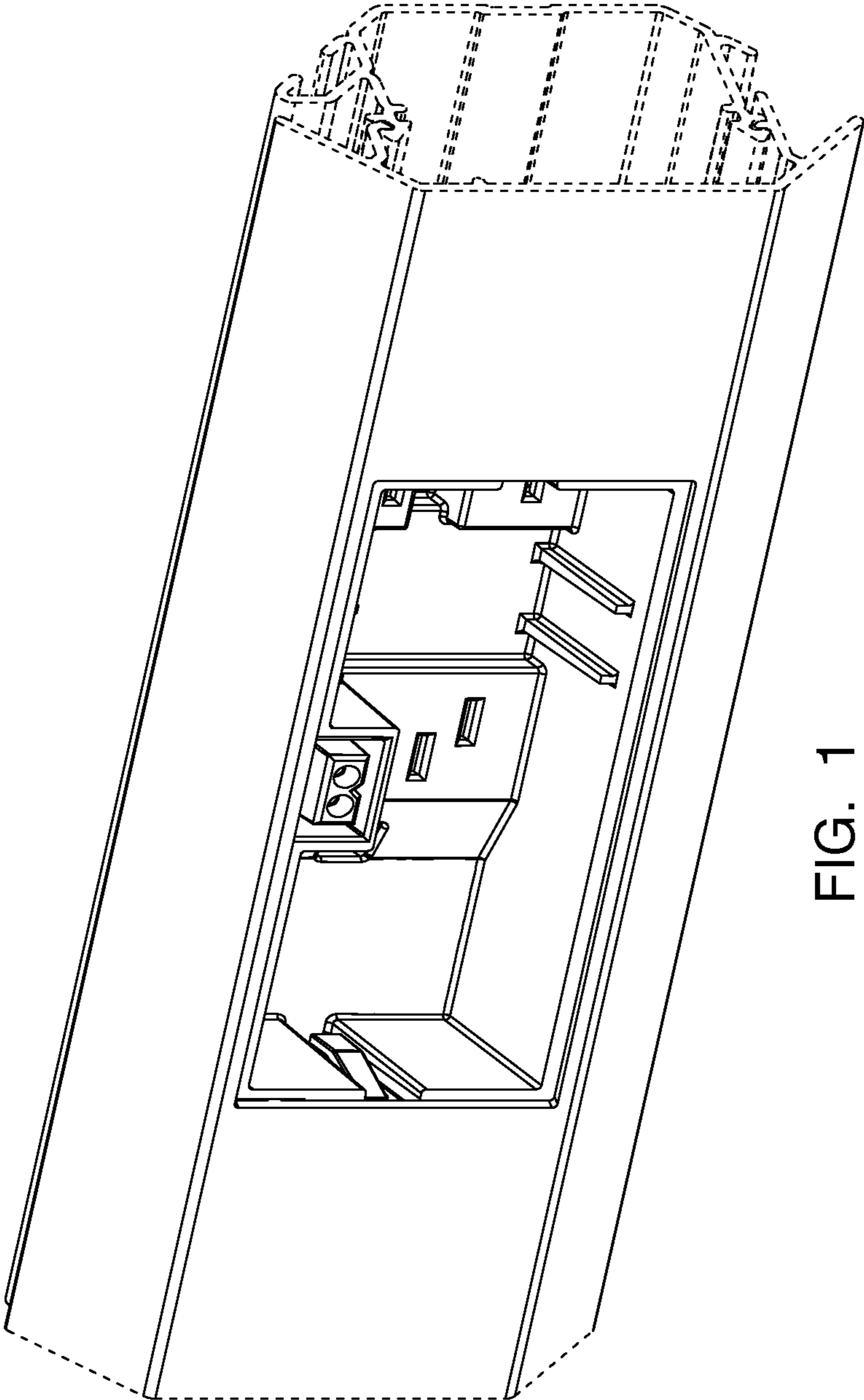


FIG. 1

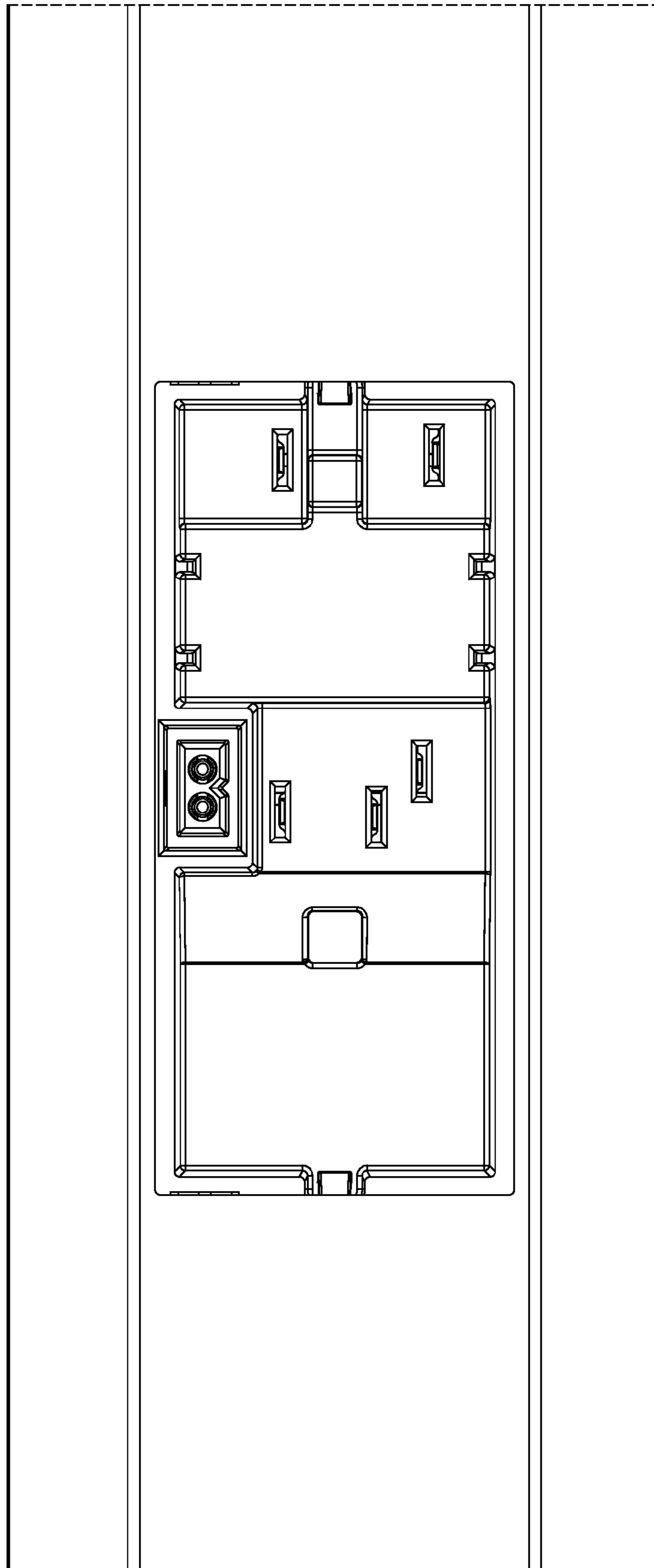


FIG. 2

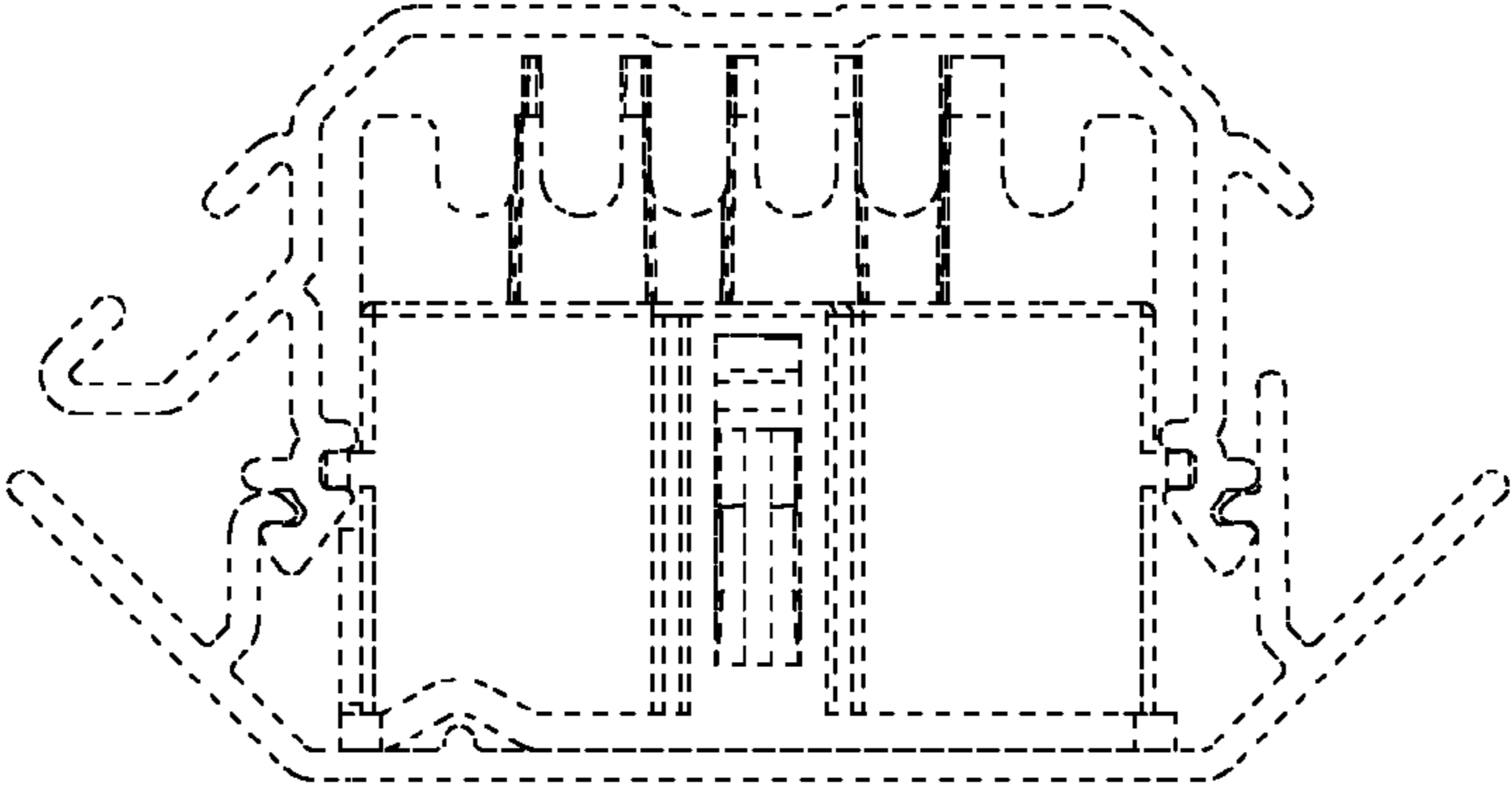


FIG. 6

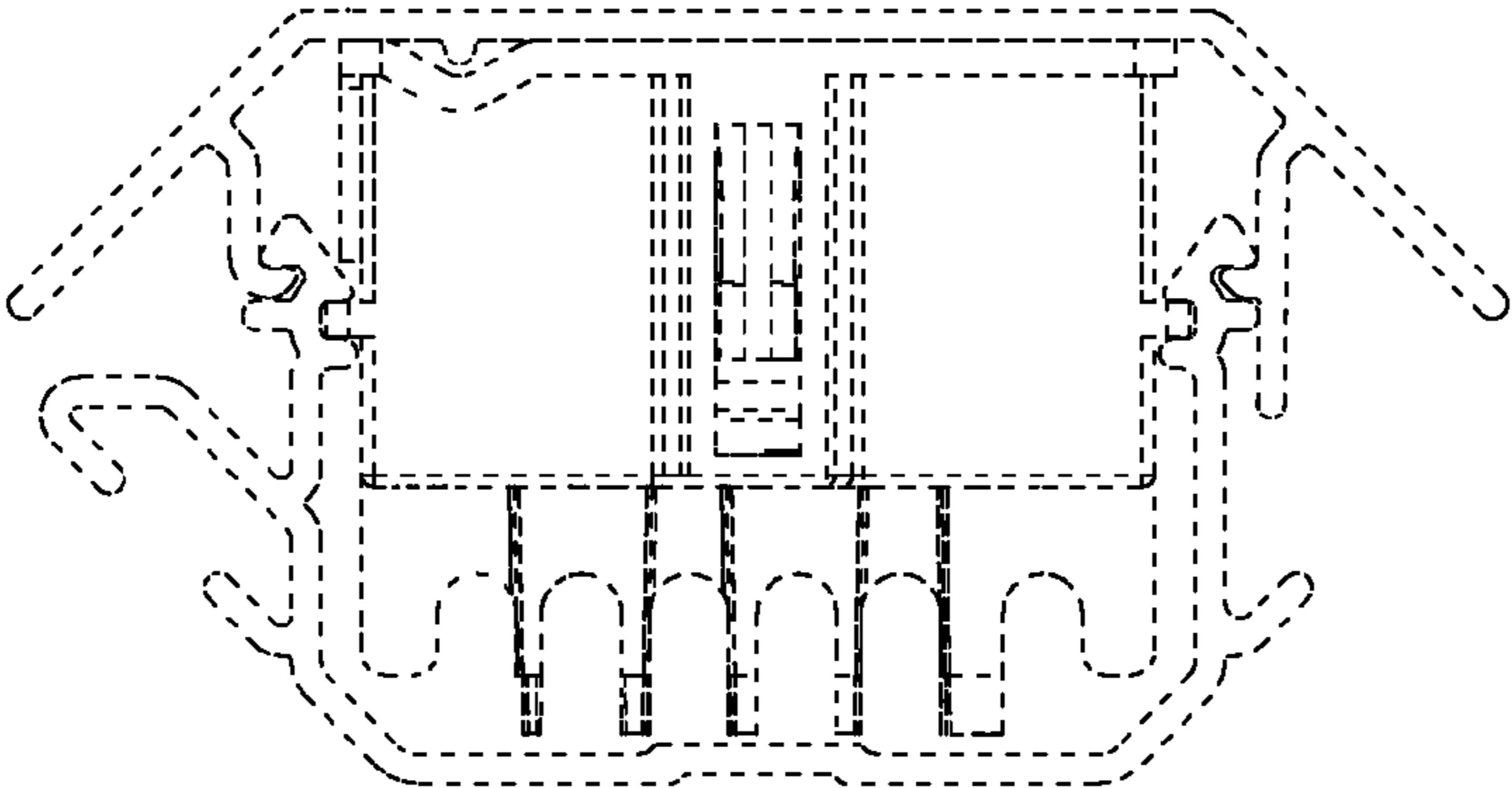


FIG. 5

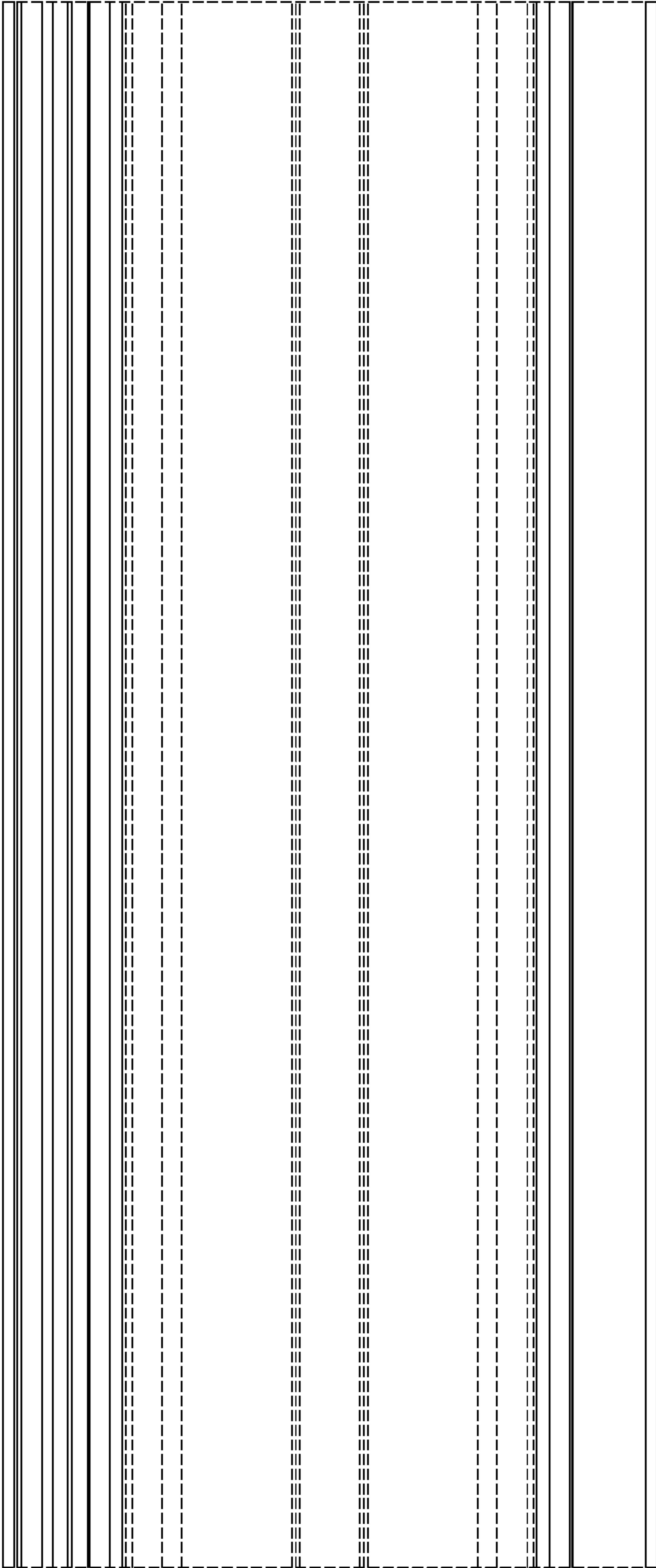


FIG. 7