



US00D695222S

(12) **United States Design Patent**
Hyakutake et al.

(10) **Patent No.:** **US D695,222 S**

(45) **Date of Patent:** **** Dec. 10, 2013**

(54) **FERRULE FOR OPTICAL FIBER**
(75) Inventors: **Yasuhiro Hyakutake**, Tokyo (JP);
Masahiro Abumi, Tokyo (JP)
(73) Assignee: **Adamant Kogyo Co., Ltd.**, Tokyo (JP)
(**) Term: **14 Years**
(21) Appl. No.: **29/421,754**
(22) Filed: **Sep. 14, 2012**

(30) **Foreign Application Priority Data**
Mar. 19, 2012 (JP) 2012-006113
(51) **LOC (9) Cl.** **13-03**
(52) **U.S. Cl.**
USPC **D13/133**
(58) **Field of Classification Search**
USPC D13/133, 154, 184, 199; 385/53, 55,
385/56, 72, 76, 78, 84; 439/180, 246, 252,
439/374, 378, 379, 380, 381, 578, 668, 892,
439/894
See application file for complete search history.

(56) **References Cited**
U.S. PATENT DOCUMENTS
5,781,674 A * 7/1998 Asai 385/78
6,595,697 B2 * 7/2003 Hirabayashi et al. 385/78

D480,689 S * 10/2003 Ishibashi et al. D13/154
D518,778 S * 4/2006 Wardenburg D13/134
D651,971 S * 1/2012 Esser et al. D13/133
D665,745 S * 8/2012 Yamauchi et al. D13/133
D665,746 S * 8/2012 Takita et al. D13/133
D665,747 S * 8/2012 Takita et al. D13/133
D675,567 S * 2/2013 Hyakutake D13/133
2003/0161586 A1 * 8/2003 Hirabayashi 385/78

* cited by examiner

Primary Examiner — Thomas Johannes
(74) *Attorney, Agent, or Firm* — Manabu Kanesaka

(57) **CLAIM**
The ornamental design for a ferrule for an optical fiber, as shown and described.

DESCRIPTION

FIG. 1 is a front view of a ferrule for an optical fiber showing our new design,
FIG. 2 is a rear view thereof,
FIG. 3 is a right side view thereof,
FIG. 4 is a left side view thereof,
FIG. 5 is a top plane view thereof,
FIG. 6 is a bottom view thereof,
FIG. 7 is a sectional view taken in the direction of line 7-7 in FIG. 4;
FIG. 8 is a perspective view thereof; and,
FIG. 9 is another perspective view thereof.

1 Claim, 9 Drawing Sheets

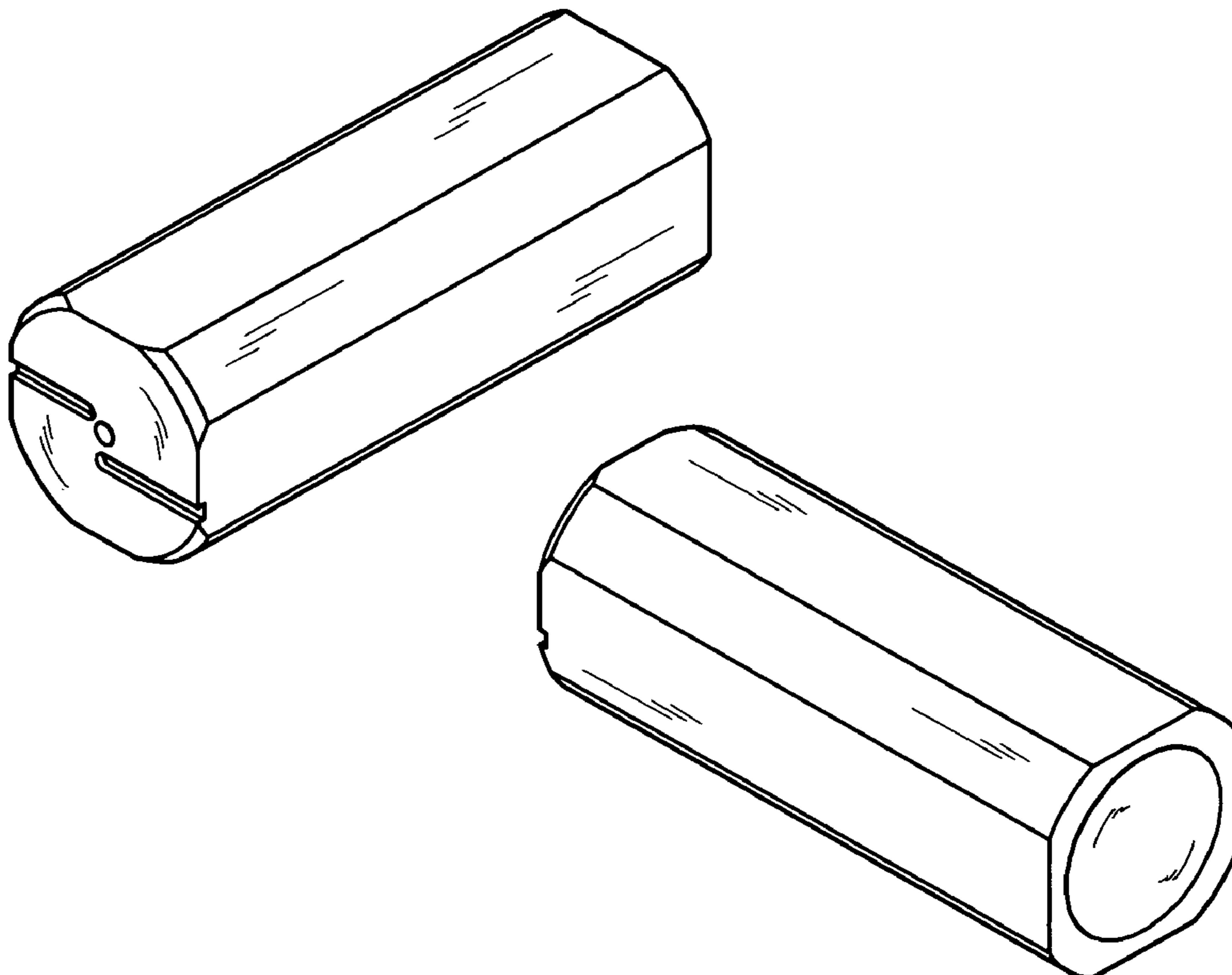


Fig. 1

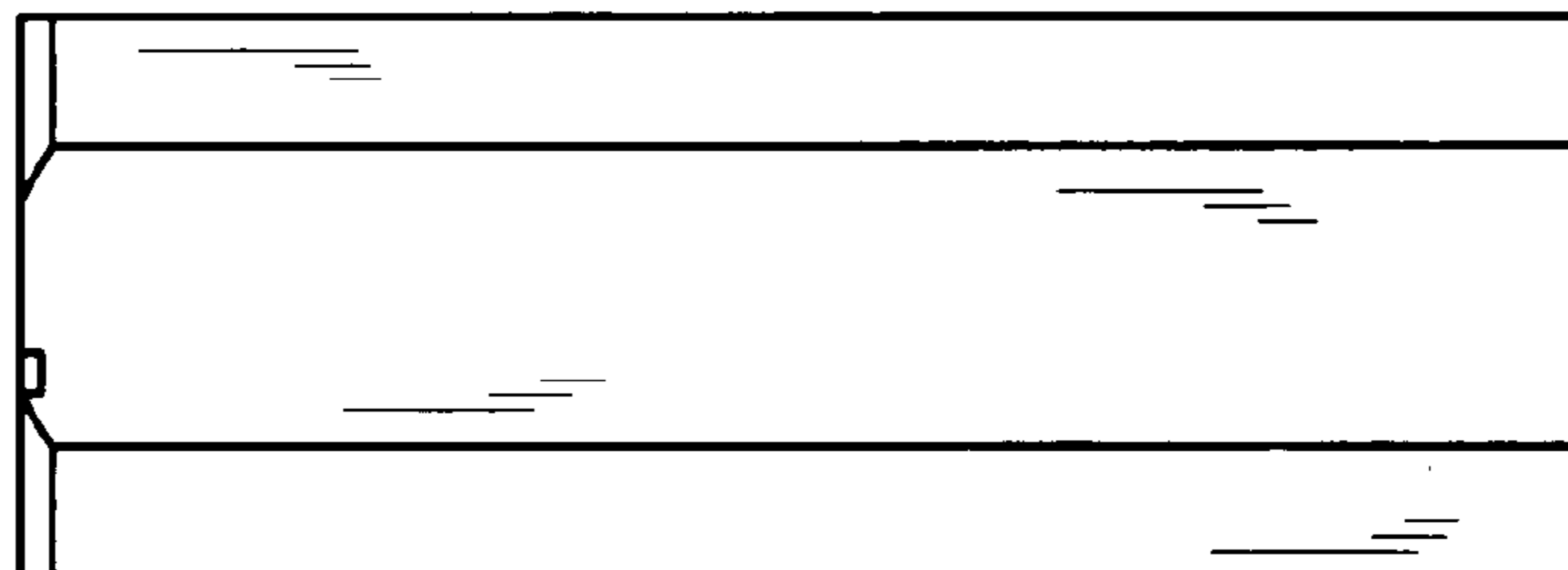


Fig. 2

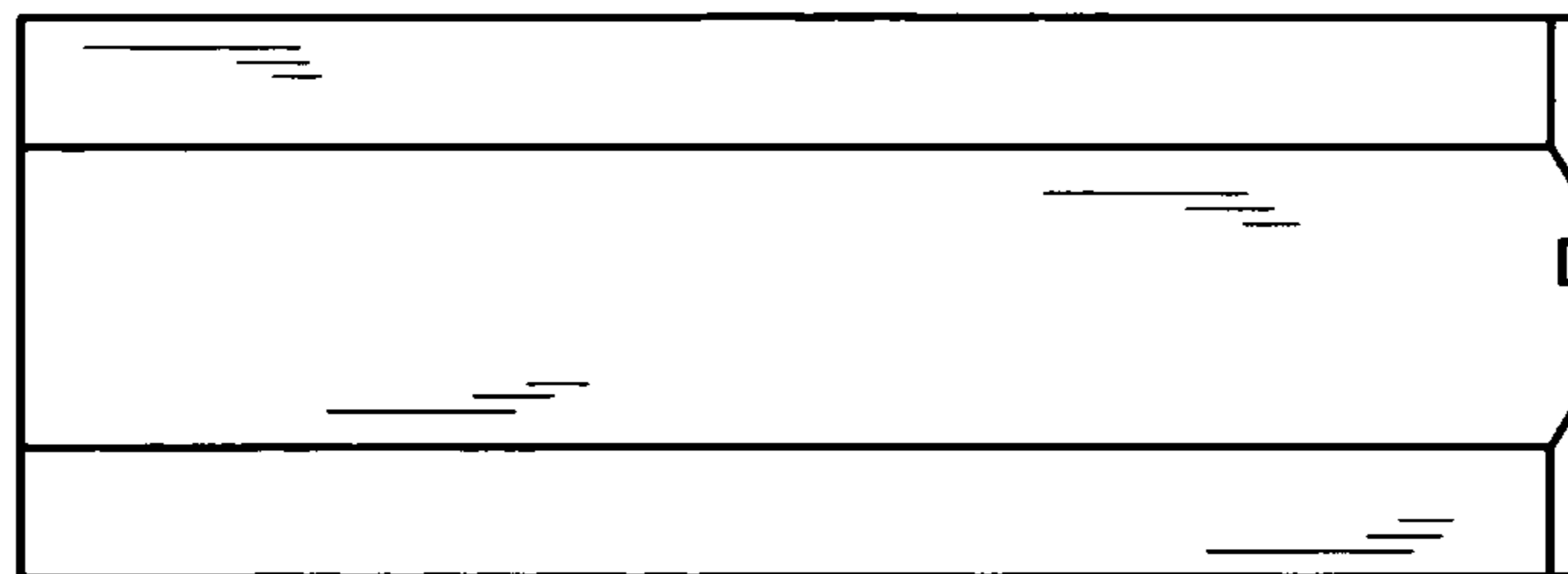


Fig. 3

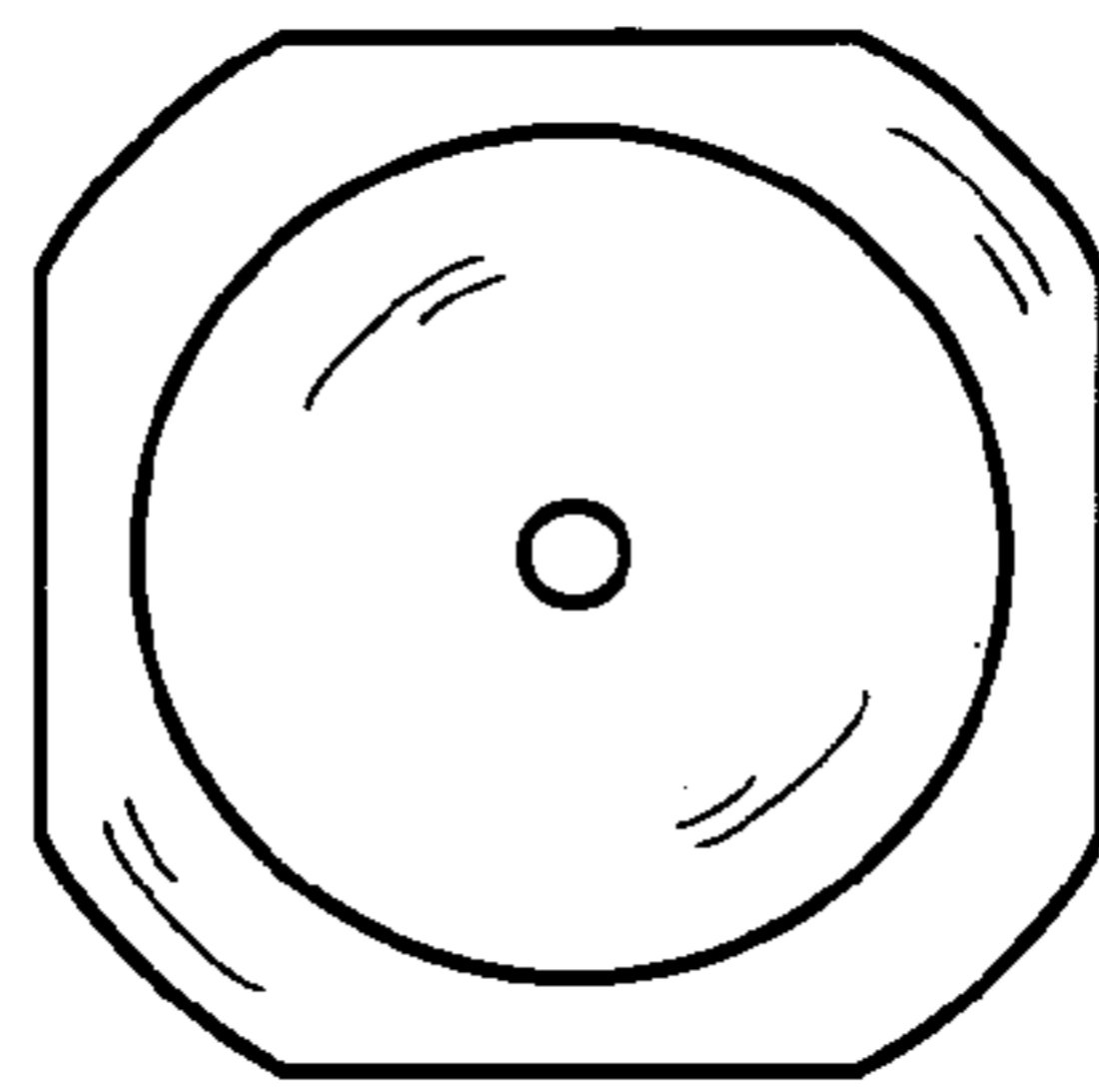


Fig. 4

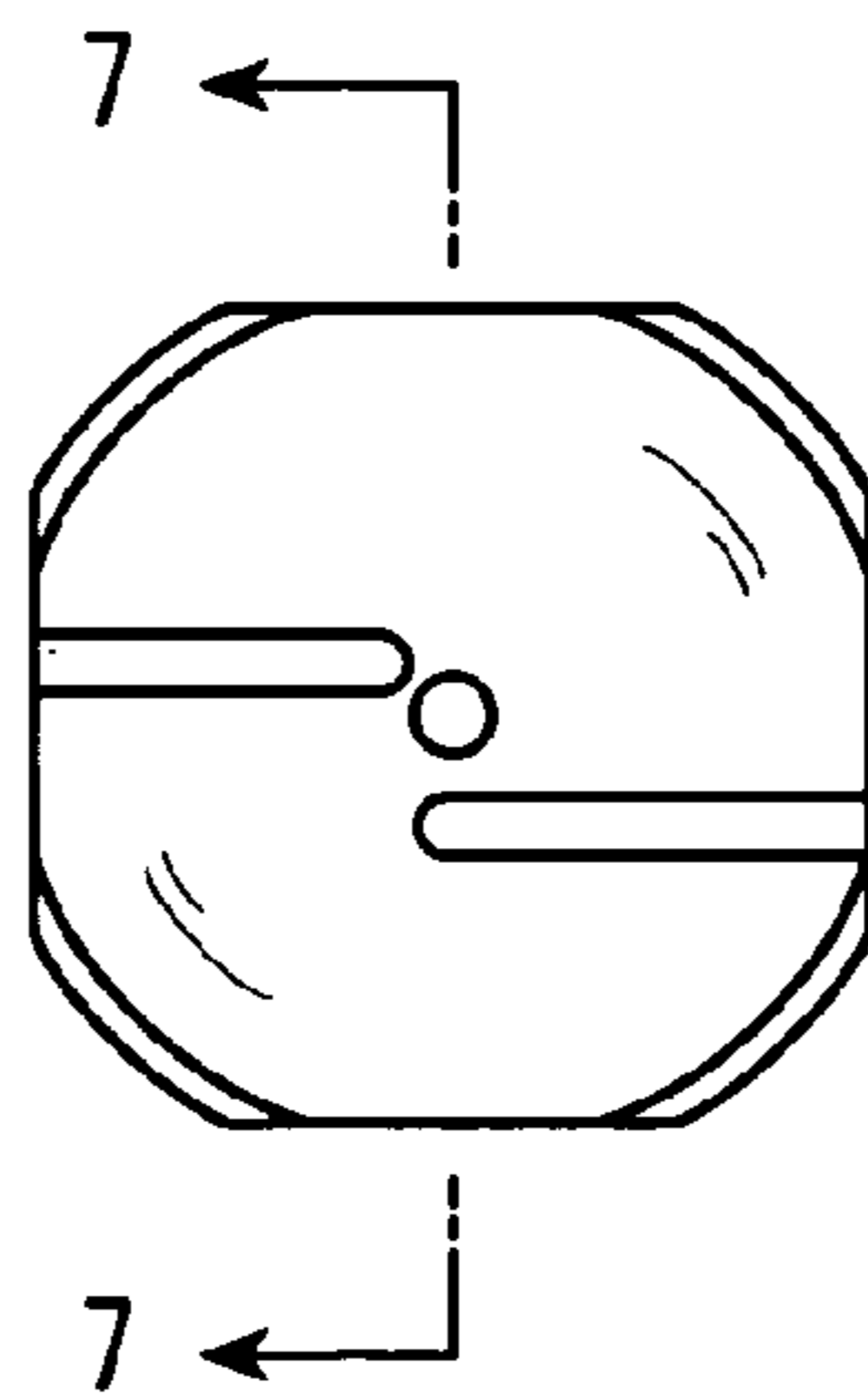


Fig. 5

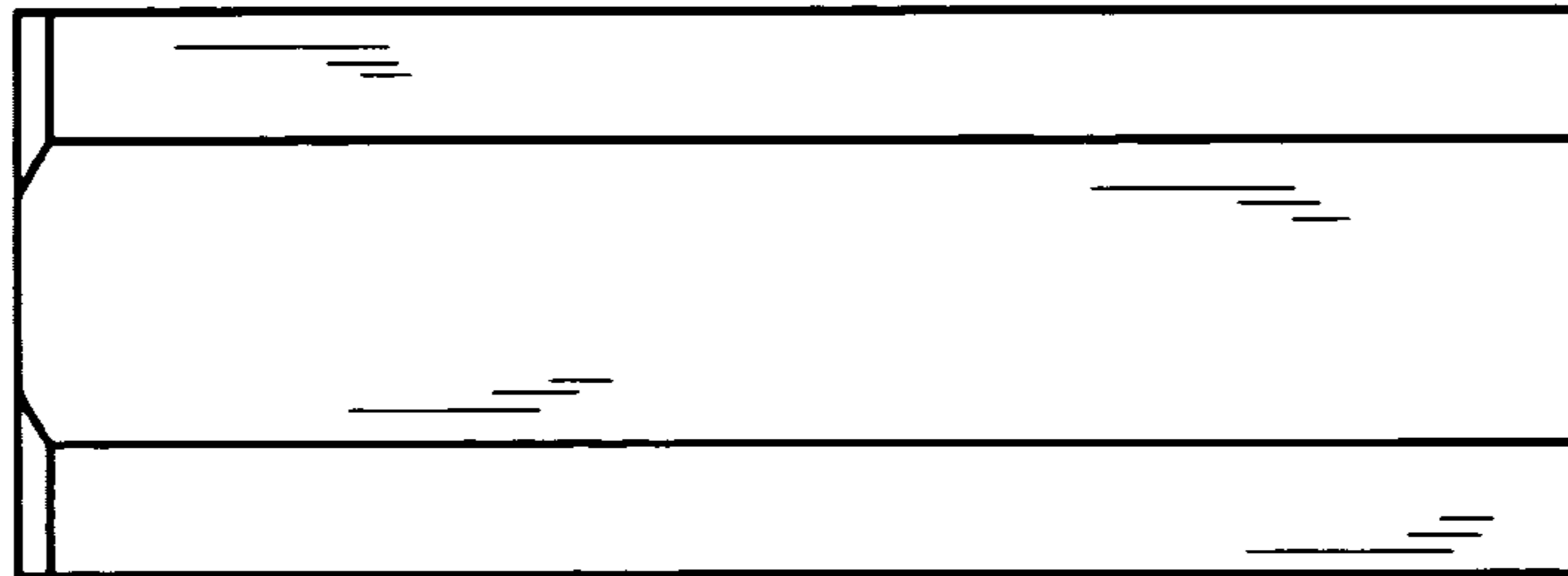


Fig. 6

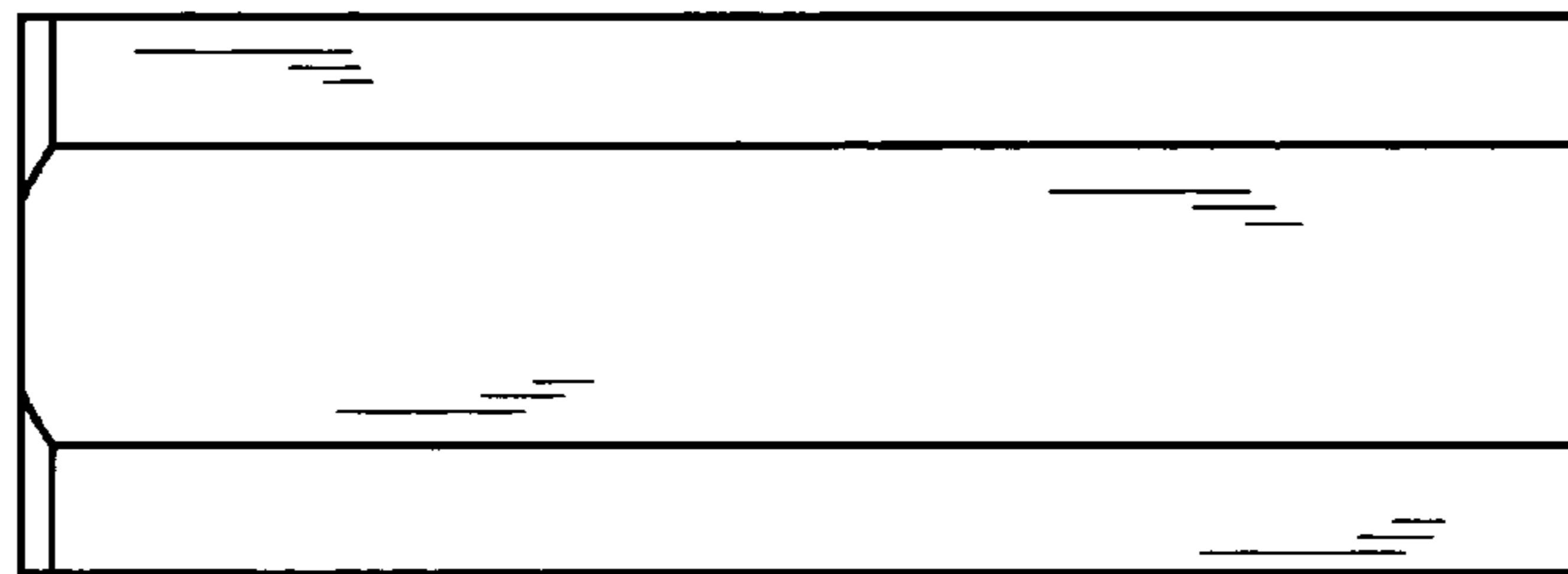


Fig. 7

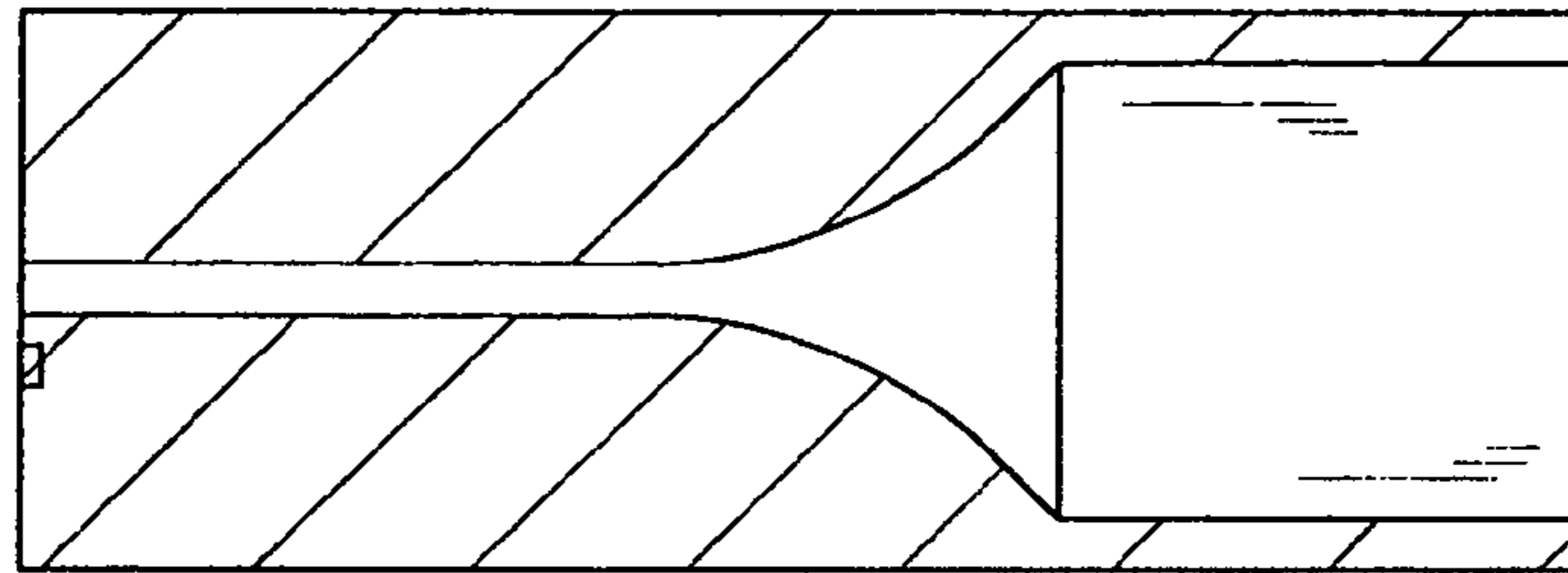


Fig. 8

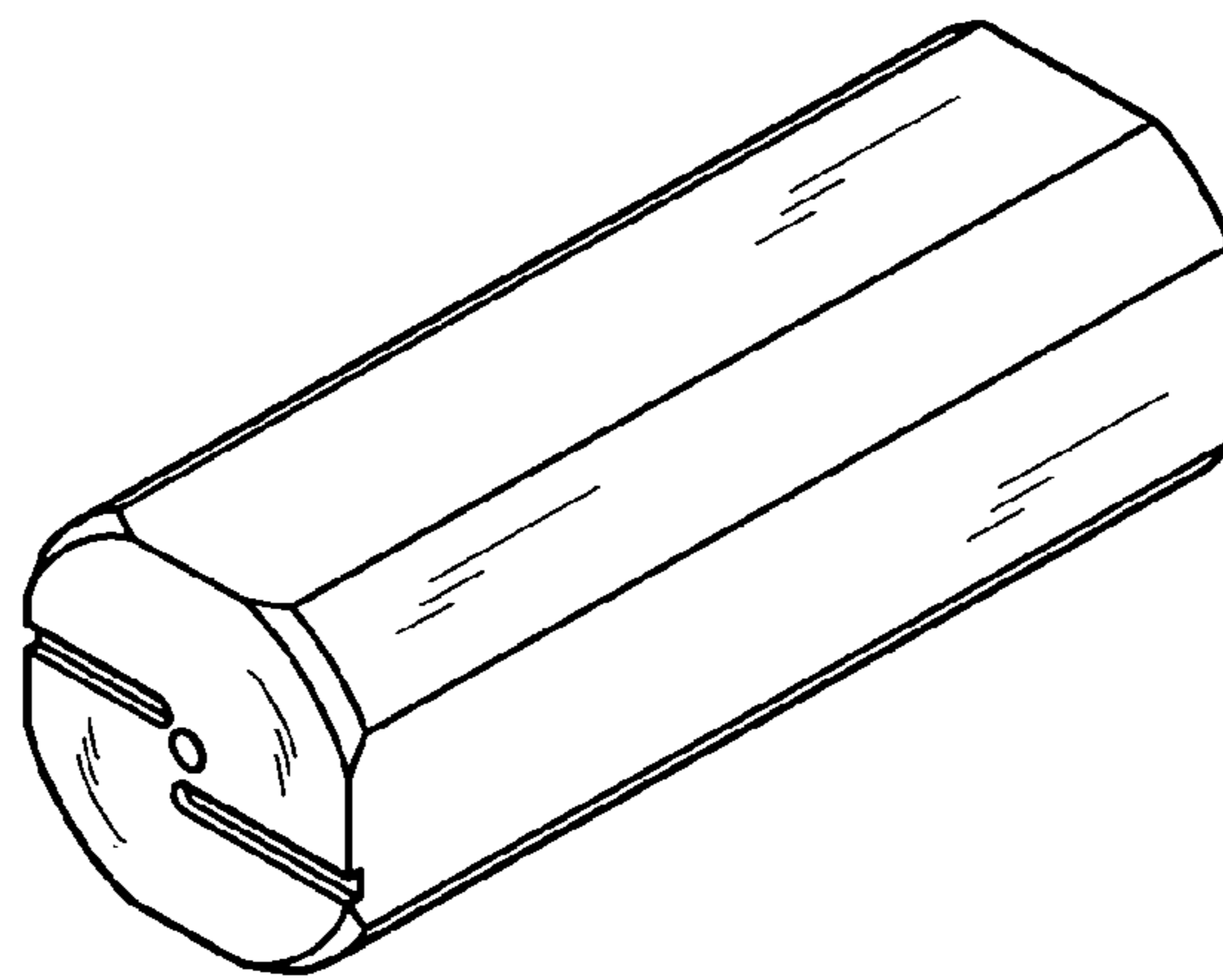


Fig. 9

