



US00D695220S

(12) **United States Design Patent**
Lamouree et al.

(10) **Patent No.:** **US D695,220 S**

(45) **Date of Patent:** **** Dec. 10, 2013**

(54) **EXTRUDED RAIL FOR LINEAR MOTOR**

(75) Inventors: **John Lamouree**, East Patchogue, NY (US); **Jonathan Culp**, Mastic Beach, NY (US)

(73) Assignee: **Rockwell Automation Technologies, Inc.**, Mayfield Heights, OH (US)

(**) Term: **14 Years**

(21) Appl. No.: **29/418,286**

(22) Filed: **Apr. 13, 2012**

(51) **LOC (9) Cl.** **13-01**

(52) **U.S. Cl.**
USPC **D13/122**

(58) **Field of Classification Search**
USPC D13/122, 101, 112, 118, 120, 147, 148, D13/158, 199; D15/5, 143, 148, 199; D25/60, 61, 122, 124; 211/85.26, 183; 74/46, 48; 310/12.27, 12.33, 20, 80; 414/569

See application file for complete search history.

(56) **References Cited**

U.S. PATENT DOCUMENTS

D338,449 S * 8/1993 Sahyoun D13/179
D417,191 S * 11/1999 Giamati D13/122
D471,286 S * 3/2003 Roberts et al. D25/60

D584,025 S * 12/2008 Santacapita et al. D34/35
D593,945 S * 6/2009 Lannoch D13/122
D645,981 S * 9/2011 Zapfe et al. D25/124

* cited by examiner

Primary Examiner — Derrick Holland

(74) *Attorney, Agent, or Firm* — Fletcher Yoder; R. Scott Speroff; John M. Miller

(57) **CLAIM**

The ornamental design for a extruded rail for linear motor, as shown and described.

DESCRIPTION

FIG. 1 is a perspective view of the ornamental design for the extruded rail for linear motor;

FIG. 2 is a right side view of the extruded rail for linear motor of FIG. 1, the left side view being a mirror image of the right side view shown;

FIG. 3 is a top view of the extruded rail for linear motor of FIG. 1;

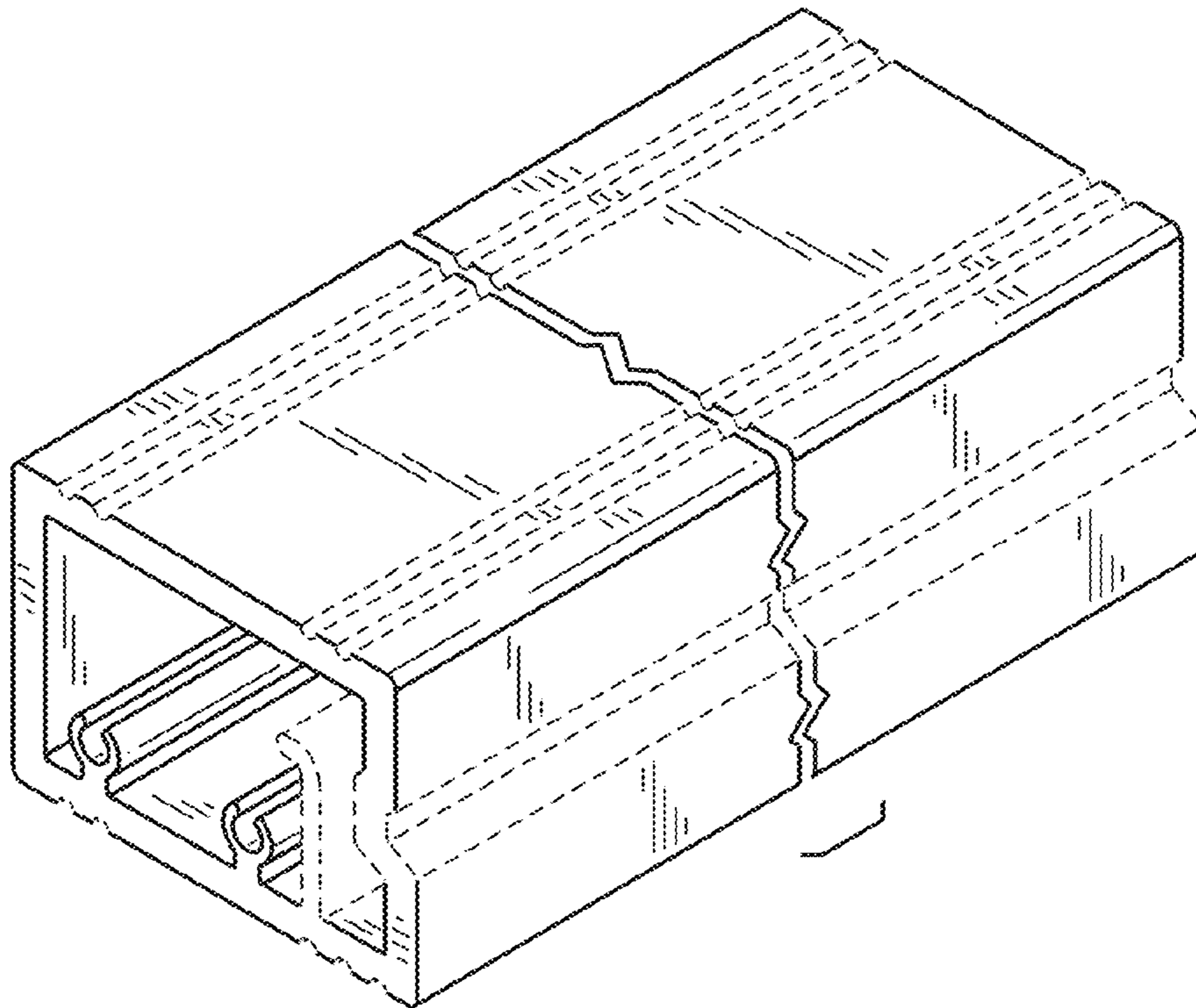
FIG. 4 is a bottom view of the extruded rail for linear motor of FIG. 1;

FIG. 5 is a front view of the extruded rail for linear motor of FIG. 1; and,

FIG. 6 is a rear view of the extruded rail for linear motor of FIG. 1.

In these drawings, the solid lines illustrate the claimed ornamental design, whereas the broken lines illustrate environmental features that form no part of the claimed ornamental design.

1 Claim, 4 Drawing Sheets



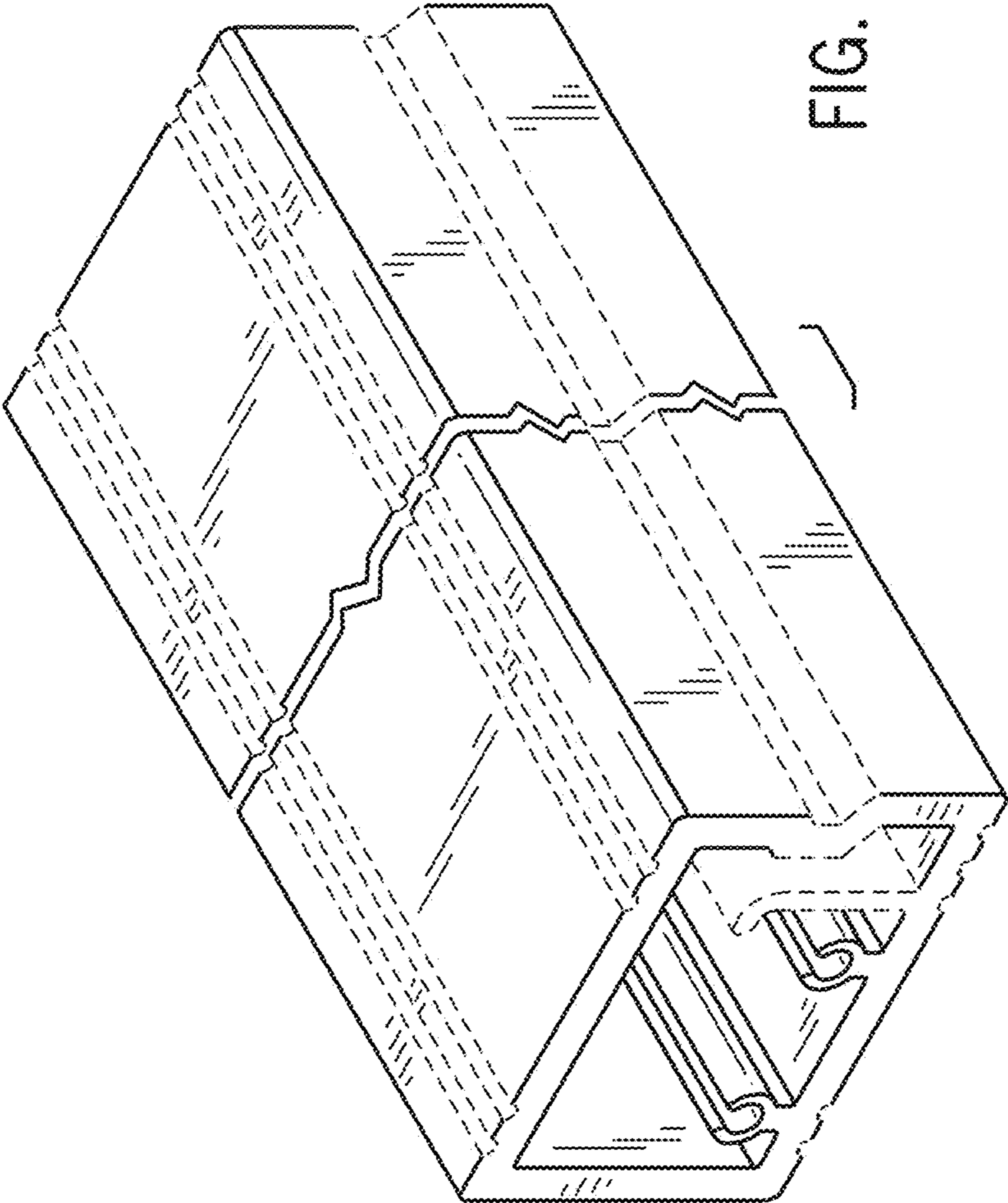


FIG. 1

FIG. 2

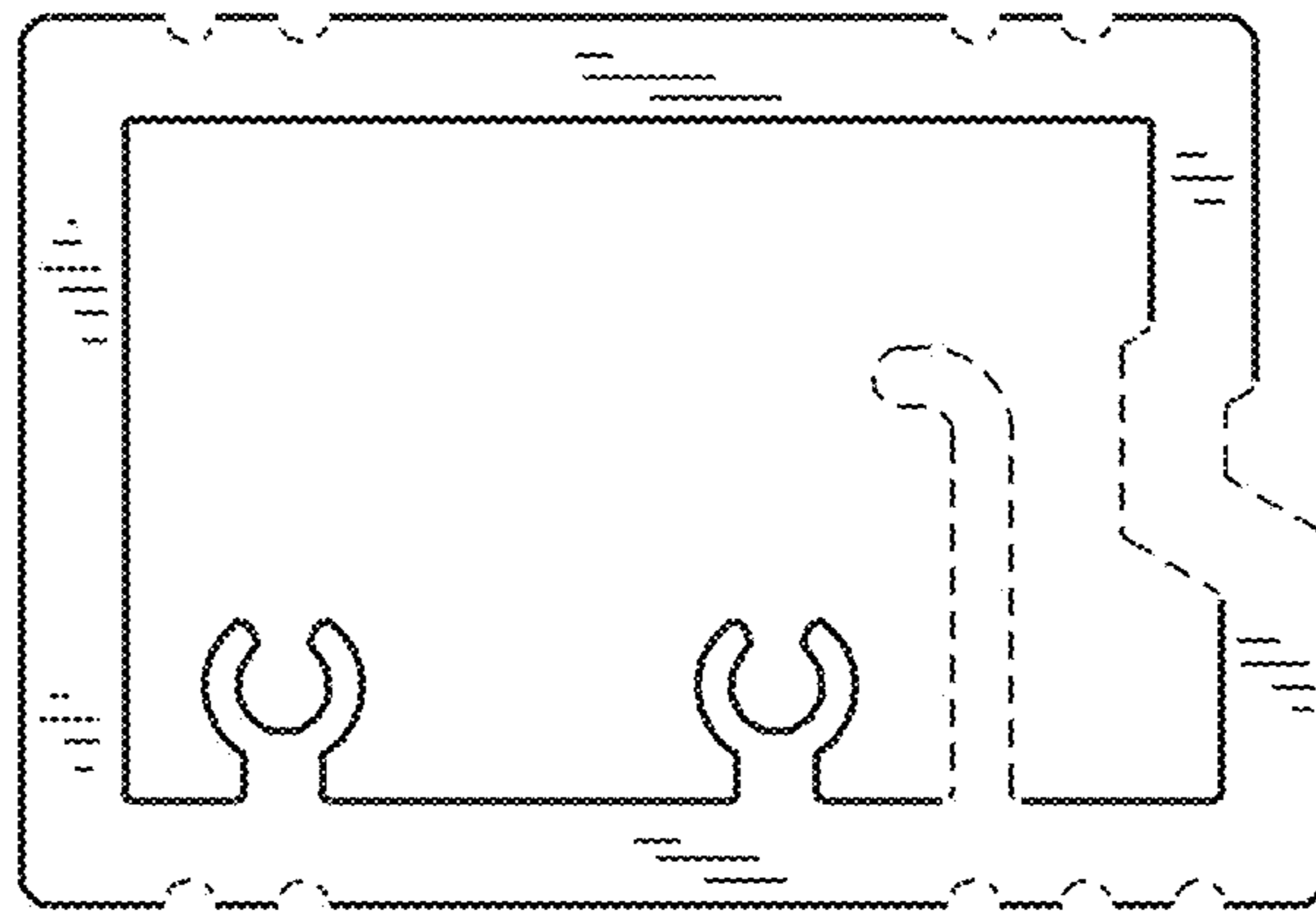


FIG. 3

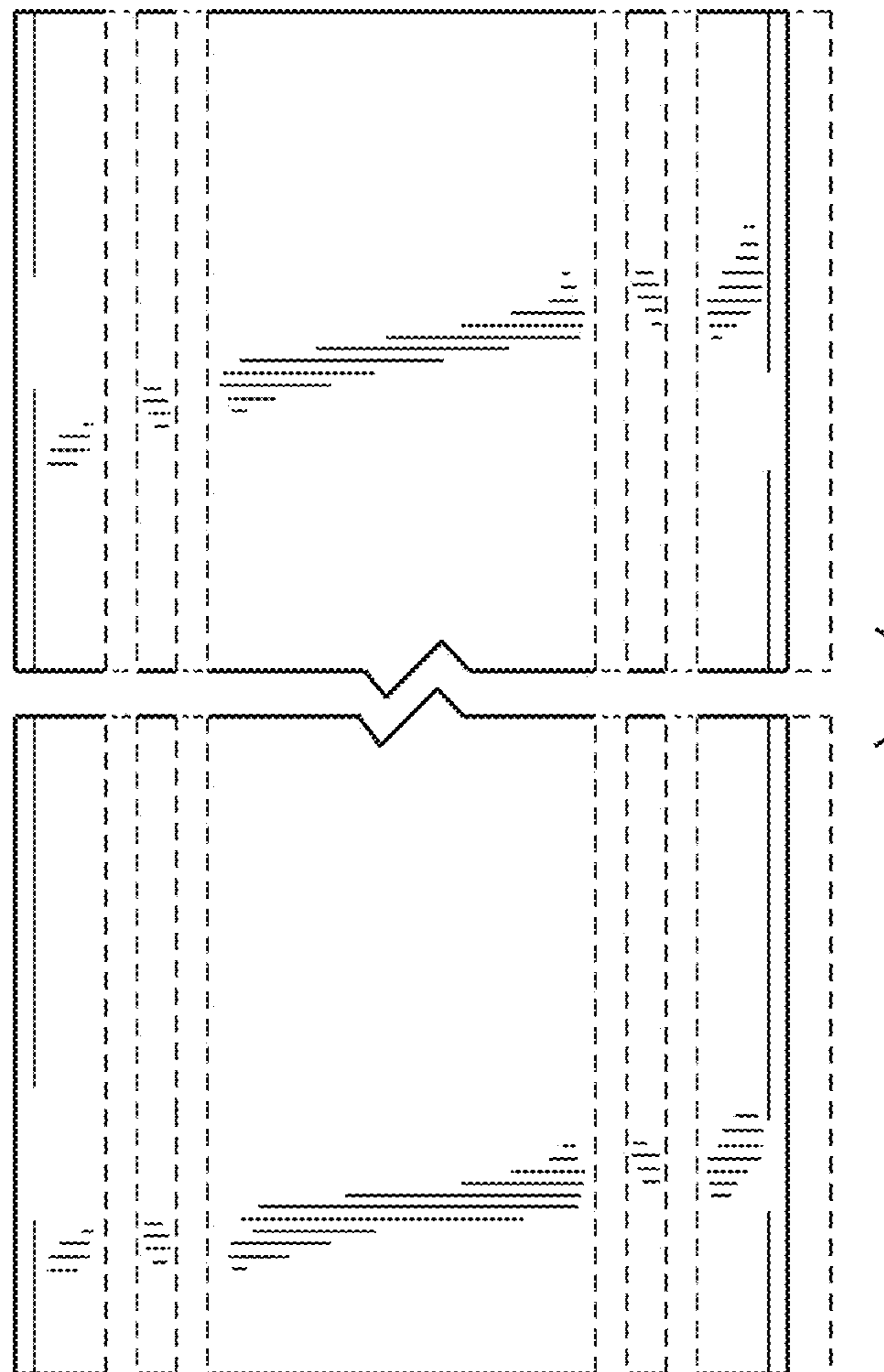
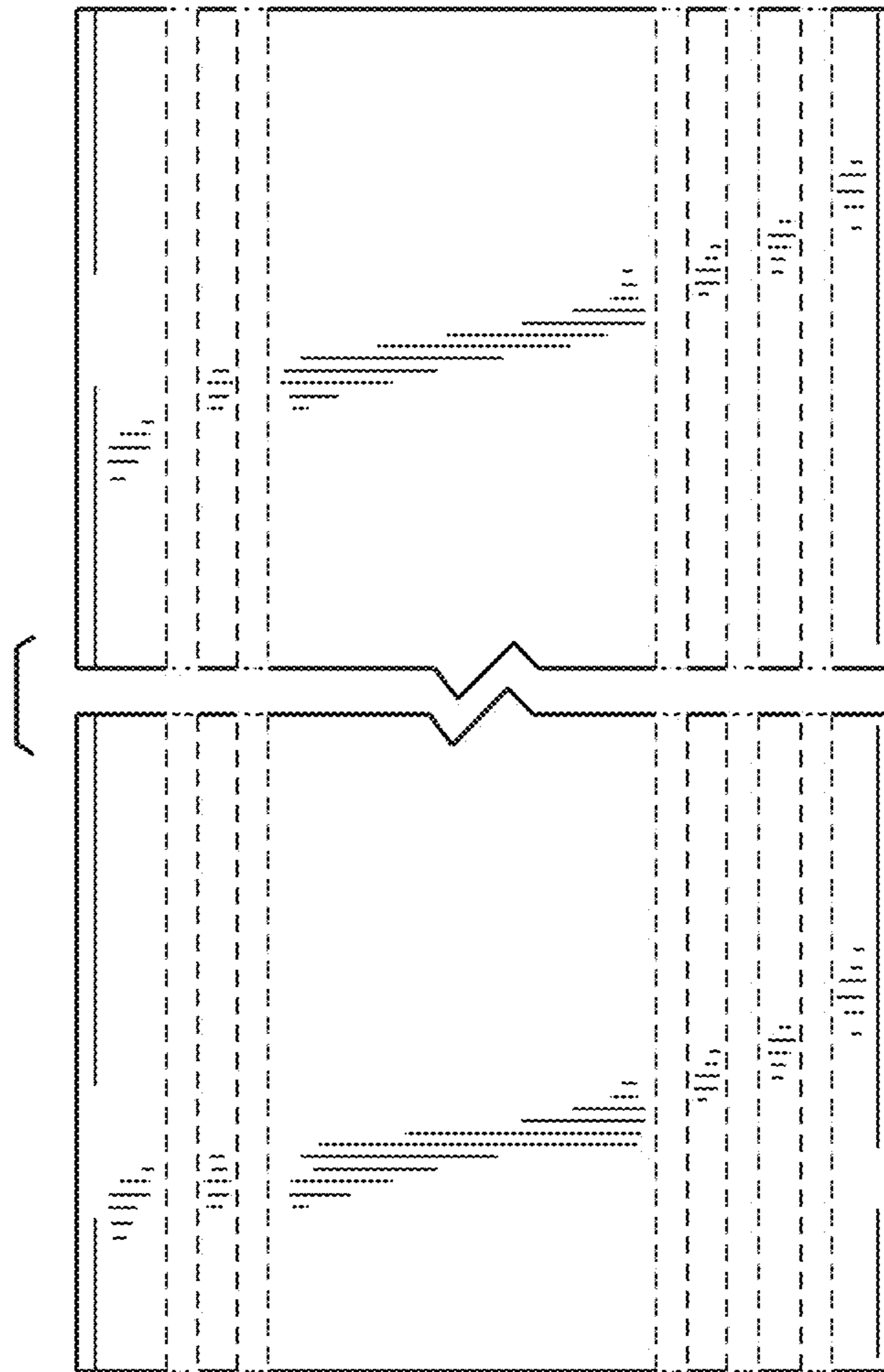


FIG. 4



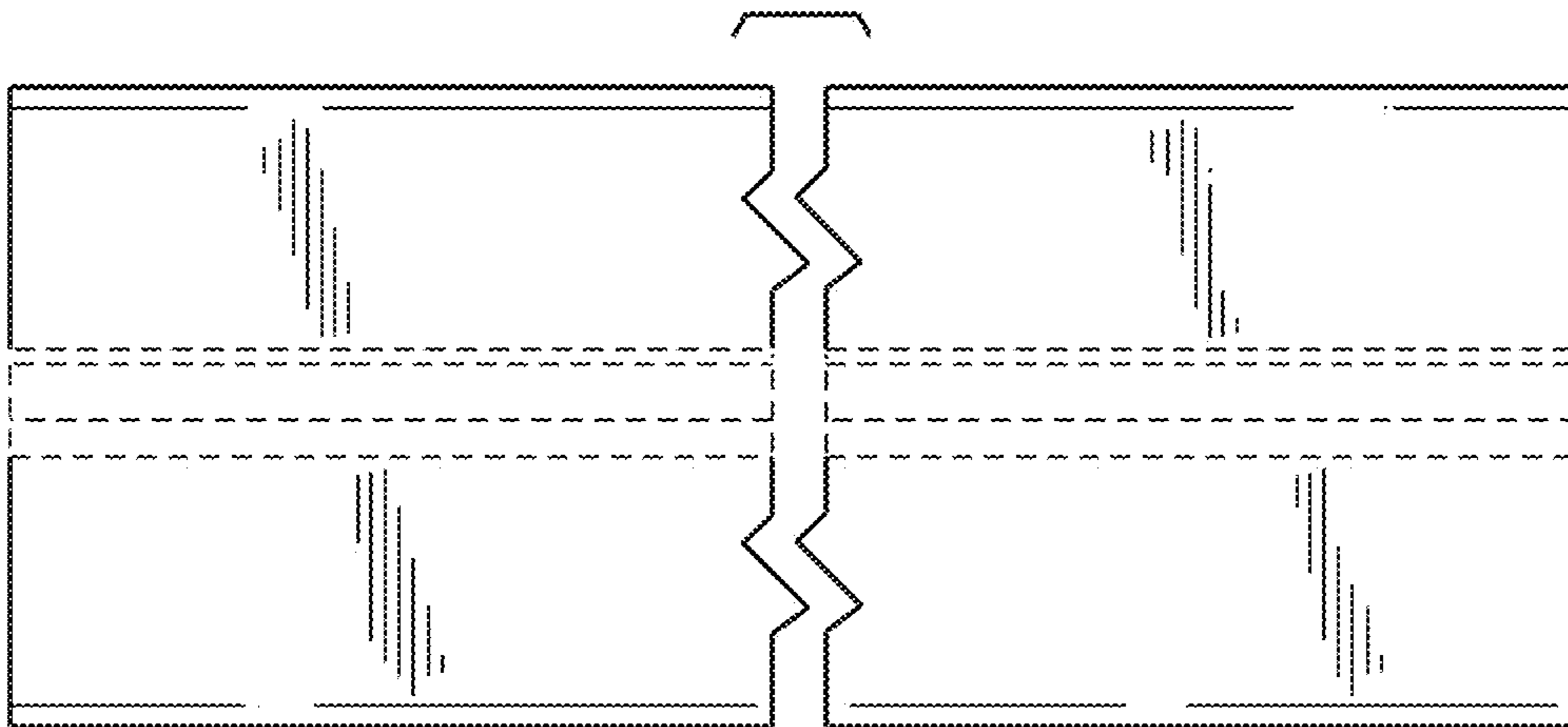


FIG. 5

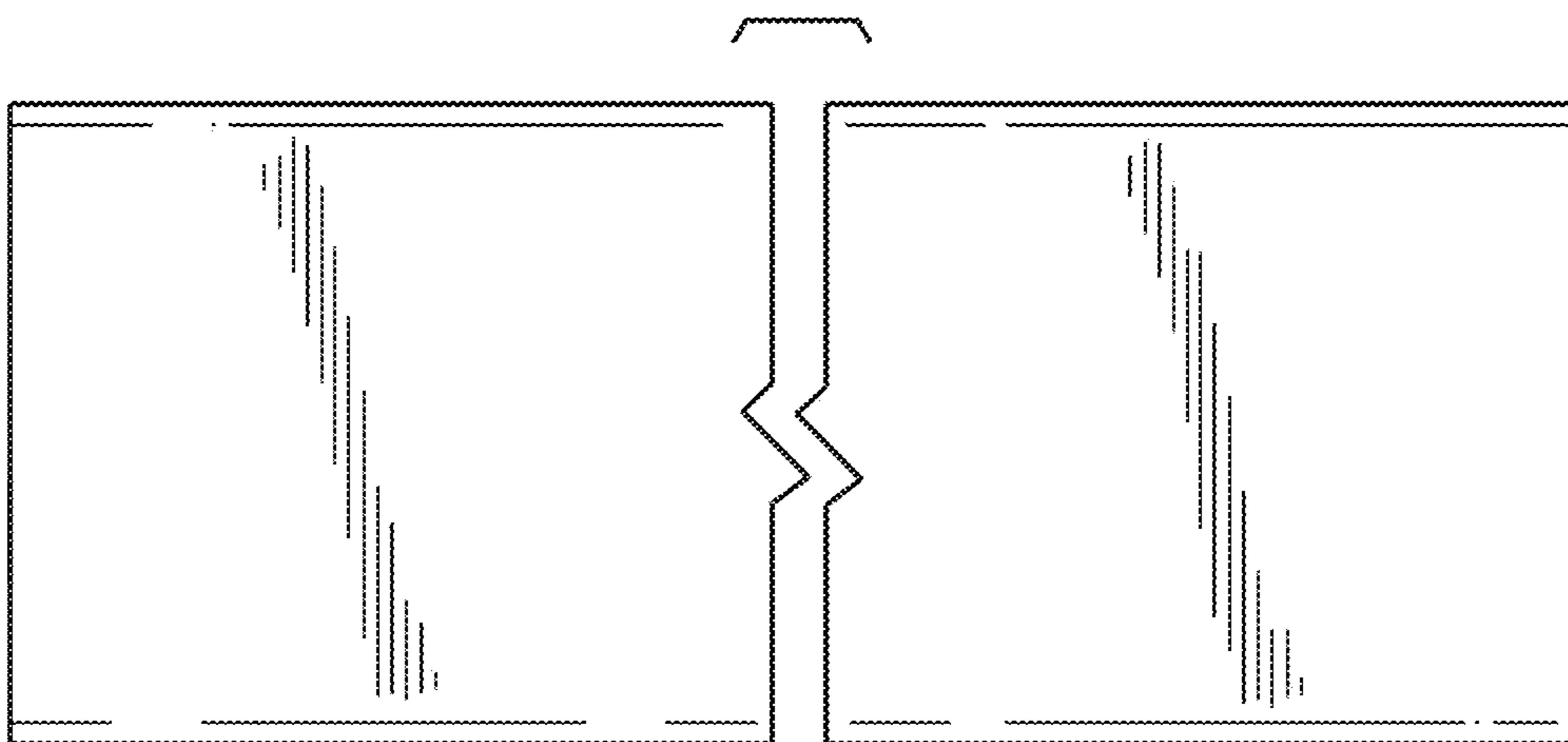


FIG. 6