



US00D695216S

(12) **United States Design Patent**  
**Miller et al.**

(10) **Patent No.:** **US D695,216 S**

(45) **Date of Patent:** **\*\* Dec. 10, 2013**

- (54) **PORTABLE POWER CHARGER**
- (71) Applicants: **Garold C. Miller**, Glastonbury, CT (US); **Nathan Daniel Weinstein**, Glastonbury, CT (US)
- (72) Inventors: **Garold C. Miller**, Glastonbury, CT (US); **Nathan Daniel Weinstein**, Glastonbury, CT (US)
- (73) Assignee: **Halo2cloud LLC**, Glastonbury, CT (US)
- (\*\*) Term: **14 Years**
- (21) Appl. No.: **29/438,616**
- (22) Filed: **Nov. 30, 2012**

**Related U.S. Application Data**

- (63) Continuation-in-part of application No. 29/430,950, filed on Aug. 31, 2012.
- (51) **LOC (9) Cl.** ..... **13-02**
- (52) **U.S. Cl.**  
USPC ..... **D13/108**
- (58) **Field of Classification Search**  
USPC ..... D13/103, 107–110, 118–119, 184, 199;  
D14/217, 251, 253, 432, 434;  
320/107–115  
See application file for complete search history.

(56) **References Cited**

**U.S. PATENT DOCUMENTS**

D376,579 S *	12/1996	Bunyea et al. ....	D13/103
D392,249 S *	3/1998	Nakazawa et al. ....	D13/103
D413,858 S *	9/1999	Murakami et al. ....	D13/103
D532,372 S *	11/2006	Keating .....	D13/108
D539,216 S *	3/2007	Hamaguchi .....	D13/103
D539,218 S *	3/2007	Gaber et al. ....	D13/108
D542,279 S *	5/2007	Chan .....	D14/216
D570,847 S *	6/2008	Chern .....	D14/434
D598,374 S *	8/2009	Sasada .....	D13/108
D633,034 S *	2/2011	Heine et al. ....	D13/103
D645,816 S *	9/2011	Sasada et al. ....	D13/108

D653,613 S *	2/2012	Sasada et al. ....	D13/108
D664,920 S *	8/2012	Huang .....	D13/107
D665,346 S *	8/2012	Kumagai et al. ....	D13/108
D670,244 S *	11/2012	Workman et al. ....	D13/110
D685,735 S *	7/2013	Wang .....	D13/110
D686,155 S *	7/2013	Nguyen .....	D13/103
2004/0251871 A1 *	12/2004	Dvorak et al. ....	320/108

**OTHER PUBLICATIONS**

Cheap 2500mAh Mobile External Power Battery Charger for iPho . . . , <http://www.everbuying.com/product172197.html>, entitled “2500mAh Mobile External Power Battery Charger for iPhone 4/4S, Various Mobile Phones and Digital Devices”, dated Dec. 28, 2012, pp. 1 through 7.

(Continued)

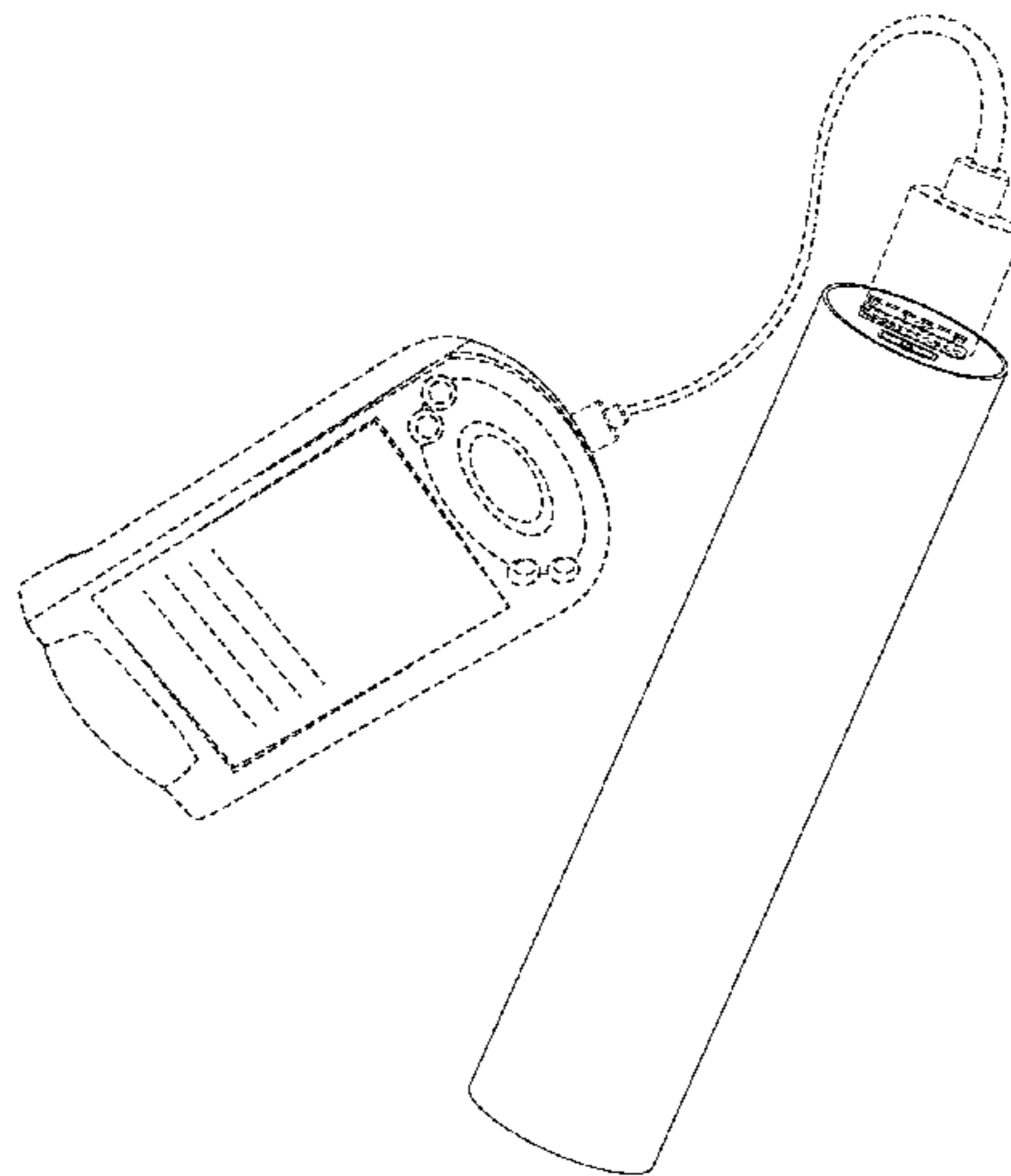
*Primary Examiner* — Rosemary K Tarcza  
(74) *Attorney, Agent, or Firm* — McCormick, Paulding & Huber LLP

(57) **CLAIM**  
The ornamental design for a portable power charger, substantially as shown and described.

**DESCRIPTION**

FIG. 1 is a front, top perspective view of a portable power charger comprising an embodiment of a new, original and ornamental design;  
FIG. 2 is a front view of a portable power charger comprising an embodiment of the new, original and ornamental design with the right-hand side, left-hand side and rear view being mirror images thereof;  
FIG. 3 is a top view of a portable power charger comprising the first embodiment of the new, original and ornamental design; and,  
FIG. 4 is a bottom view of a portable power charger comprising the first embodiment of the new, original and ornamental design.  
The broken lines shown in the drawings illustrate unclaimed portions of the article and form no part of the claimed design.

**1 Claim, 2 Drawing Sheets**



(56)

**References Cited**

OTHER PUBLICATIONS

Amazon.com: Anker® Astro Mini 2600mAh—Ultra-Compant  
Li . . . , [http://www.amazon.com/gp/product/B005X1Y712/ref=oh\\_](http://www.amazon.com/gp/product/B005X1Y712/ref=oh_)  
details . . . , dated Dec. 28, 2012, pp. 1 through 6.

Cheap 2600mAh Aluminum Tubes Cylindrical Mobile Power  
for . . . , <http://www.everbuying.com/product170.html>, entitled  
“2600mAh Aluminum Tubes Cylindrical Mobile Power for iPhone  
4/4S, Various Cell Phones and Digital Devices (Rose)”, dated Dec.  
28, 2012, pp. 1 through 7.

\* cited by examiner

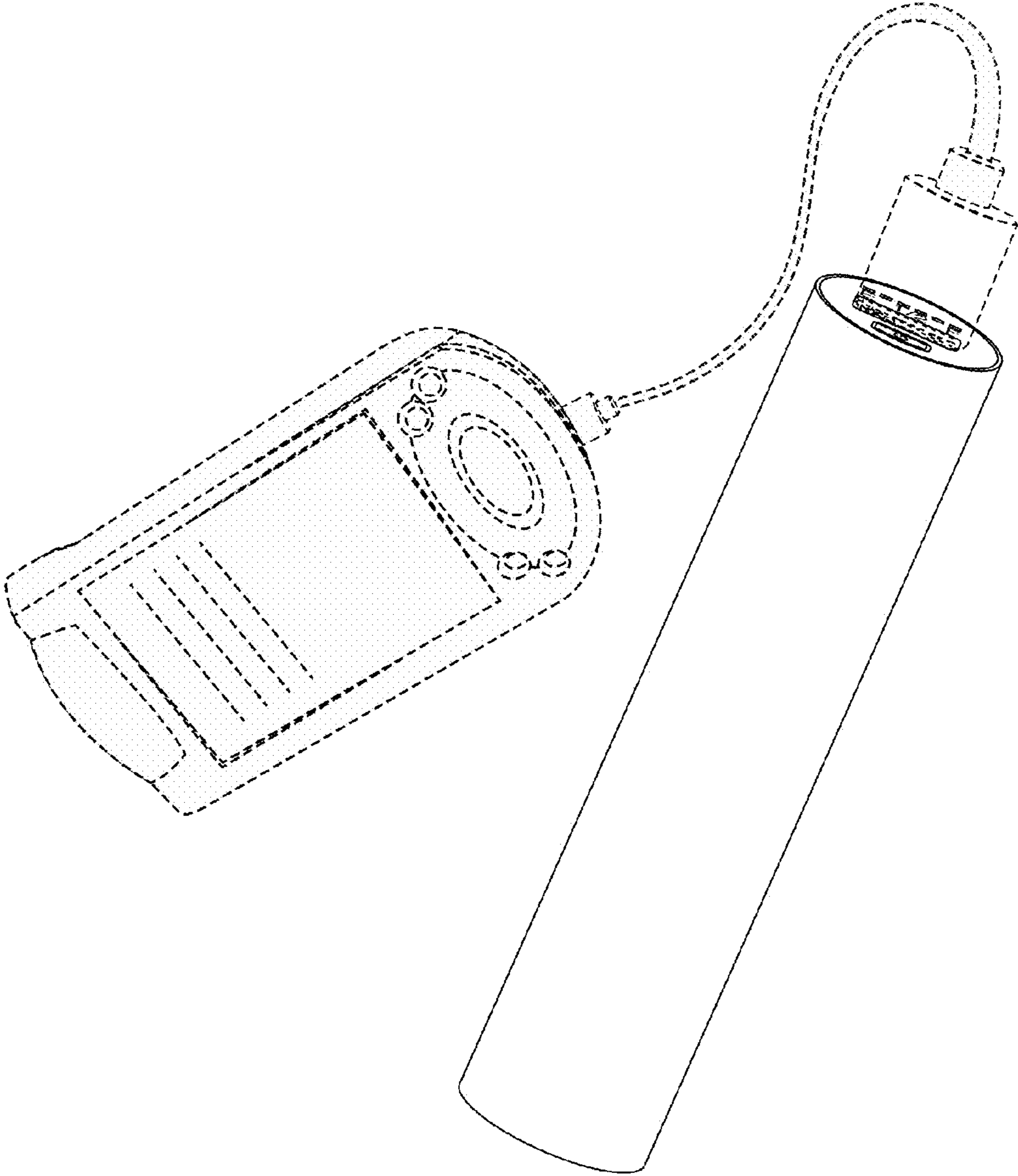


FIG. 1



FIG. 2

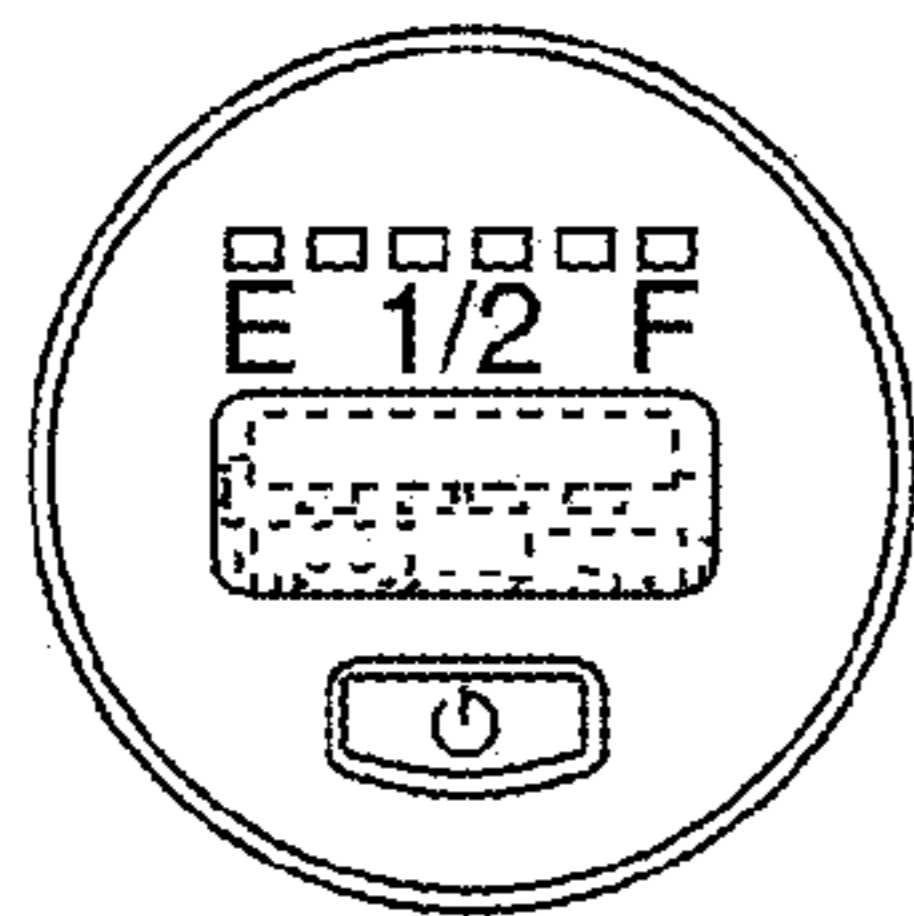


FIG. 3

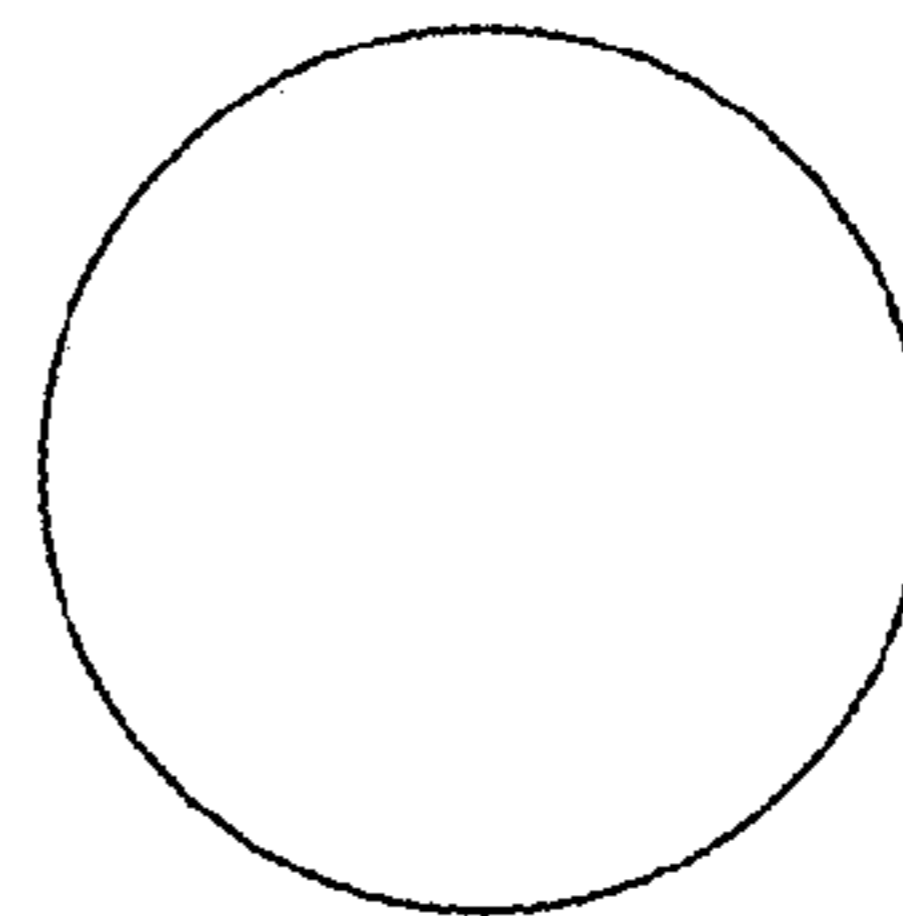


FIG. 4