



US00D695214S

(12) **United States Design Patent**
Roberts et al.

(10) **Patent No.:** **US D695,214 S**

(45) **Date of Patent:** **** Dec. 10, 2013**

- (54) **PORTABLE BATTERY CHARGER**
- (75) Inventors: **Colin Roberts**, Ottawa (CA); **Scott Gibson**, Ottawa (CA)
- (73) Assignee: **Ecosol Technologies Inc.**, Ottawa, Ontario (CA)
- (**) Term: **14 Years**
- (21) Appl. No.: **29/420,151**
- (22) Filed: **May 4, 2012**
- (51) **LOC (9) Cl.** **13-02**
- (52) **U.S. Cl.**
USPC **D13/107**
- (58) **Field of Classification Search**
USPC D13/107–108, 110, 118–119, 123, 133,
D13/137.1, 184, 199; 439/105, 166,
439/170–175, 218, 518, 692, 956;
320/107–115; 307/150, 151
See application file for complete search history.

D652,381 S * 1/2012 Tien D13/110
 2003/0151938 A1 * 8/2003 Liao 363/146
 2011/0148357 A1 * 6/2011 Lu 320/111

* cited by examiner

Primary Examiner — Rosemary K Tarcza

(74) *Attorney, Agent, or Firm* — D. Peter Hochberg; Sean F. Mellino

(57) **CLAIM**

The ornamental design for a portable battery charger, as shown and described.

DESCRIPTION

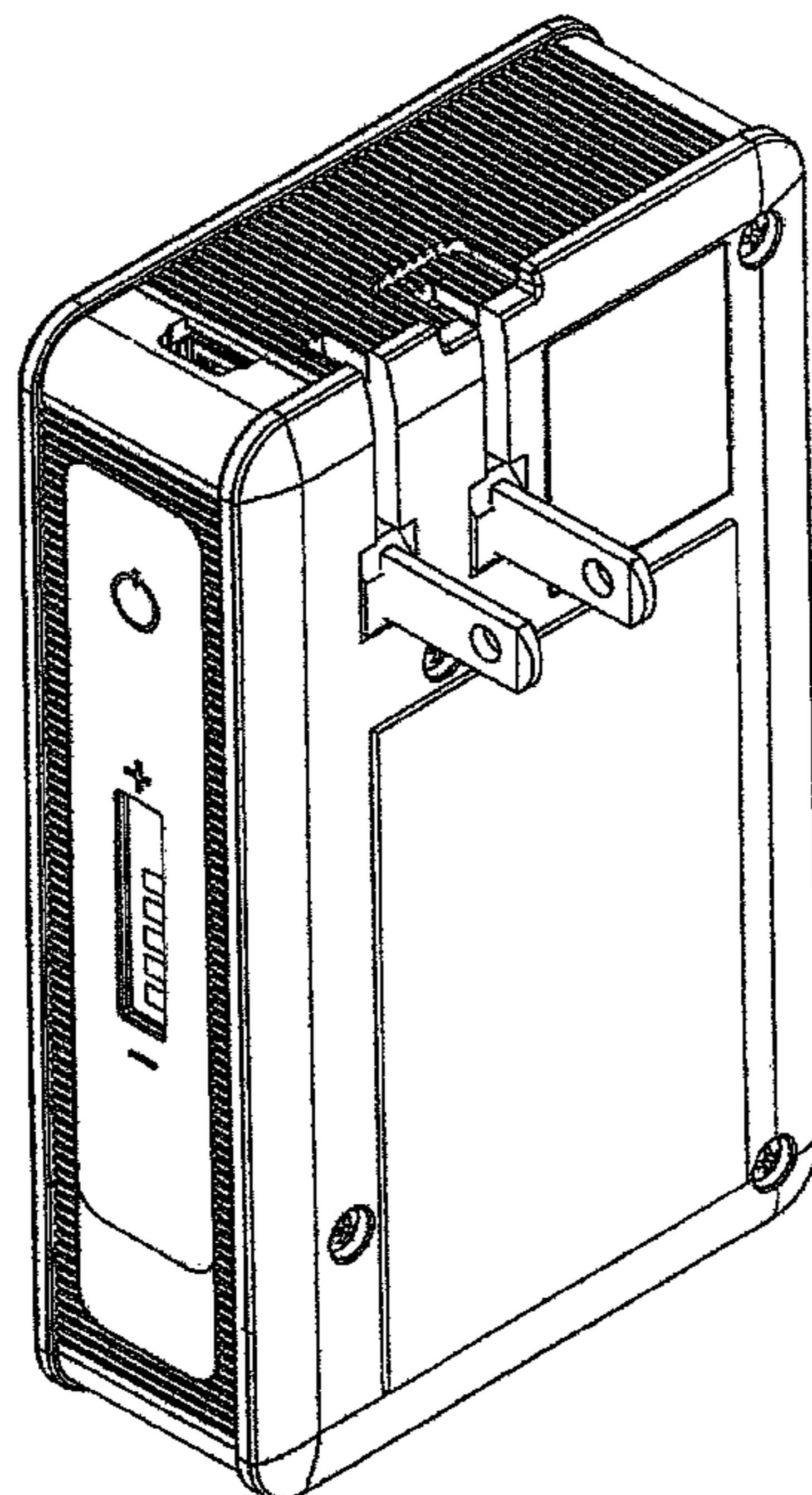
FIG. 1 is a front perspective view of the portable battery charger according to the invention;
 FIG. 2 is a left side view of the portable battery charger as shown in FIG. 1.
 FIG. 3 is a right side view of the portable battery charger as shown in FIG. 1 shown from the opposite side as that shown in FIG. 2;
 FIG. 4 is a front view of the portable battery charger as shown in FIG. 1;
 FIG. 5 is a rear view of the portable battery charger as shown in FIG. 1; and
 FIG. 6 is an enlarged top view of the portable battery charger as shown in FIG. 1; and,
 FIG. 7 is an enlarged bottom view of the portable battery charger as shown in FIG. 1.
 The broken lines in the drawings are for the purpose of illustrating unclaimed portions of the portable battery charger and form no part of the claimed design.

(56) **References Cited**

U.S. PATENT DOCUMENTS

D339,563	S	*	9/1993	Usami	D13/107
6,086,395	A	*	7/2000	Lloyd et al.	439/172
D428,862	S	*	8/2000	Queffelec et al.	D13/184
D456,008	S	*	4/2002	Kawanobe et al.	D13/110
D575,227	S	*	8/2008	So	D13/110
D593,031	S	*	5/2009	Miyatake et al.	D13/110
D599,738	S	*	9/2009	Amidei et al.	D13/110
D621,782	S	*	8/2010	Chang et al.	D13/138.1
D628,151	S	*	11/2010	Wegener et al.	D13/108
D638,356	S	*	5/2011	Chen	D13/110

1 Claim, 7 Drawing Sheets



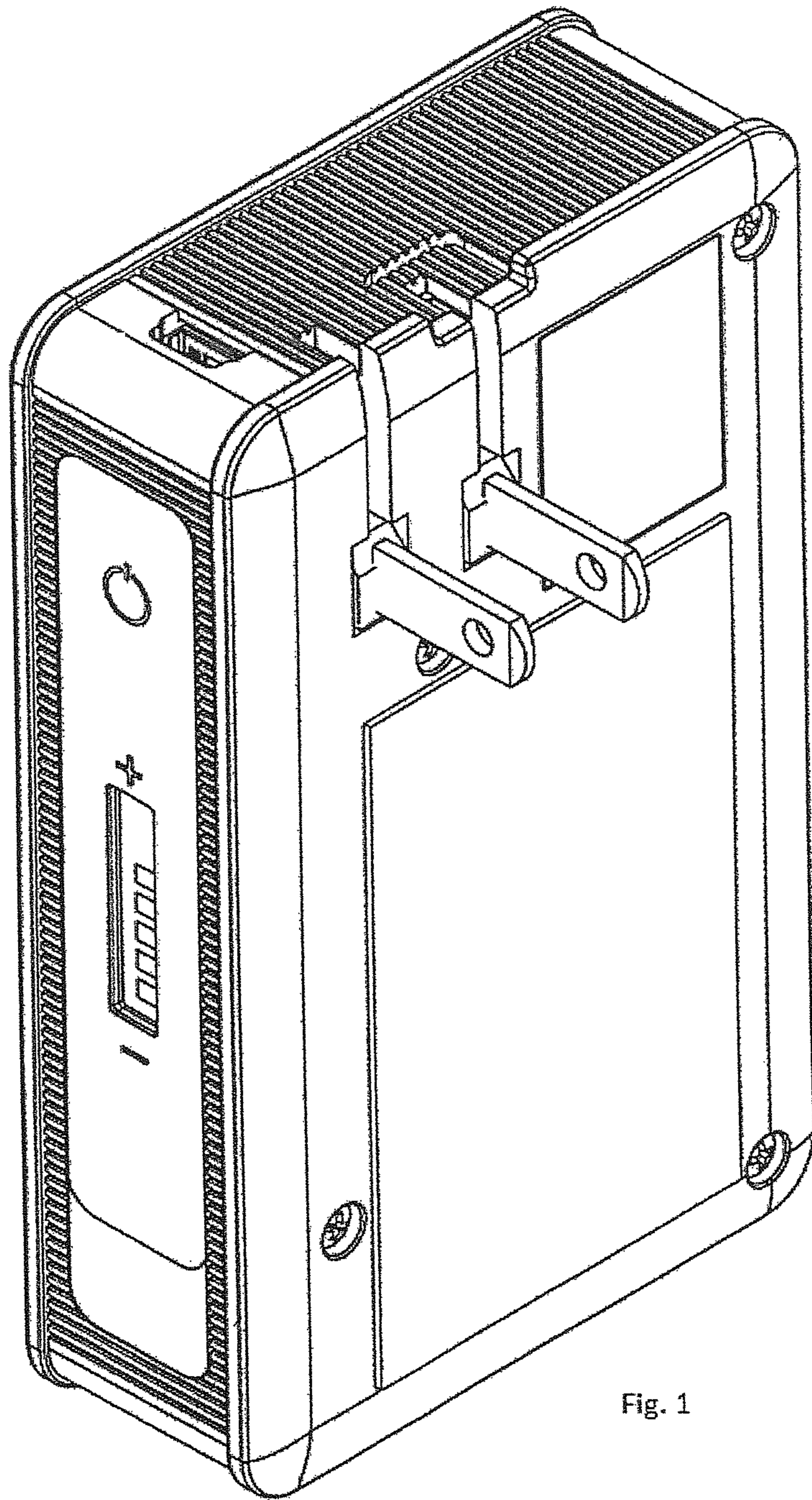


Fig. 1

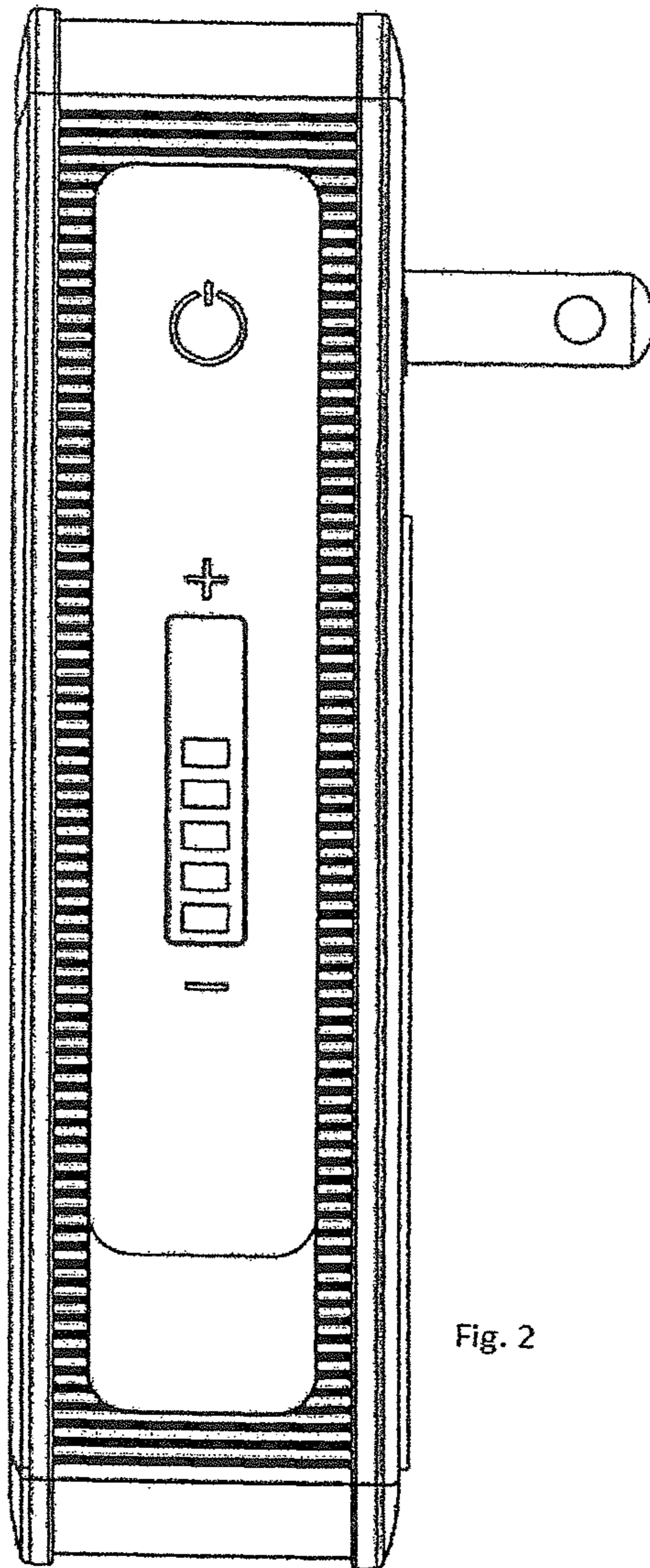


Fig. 2

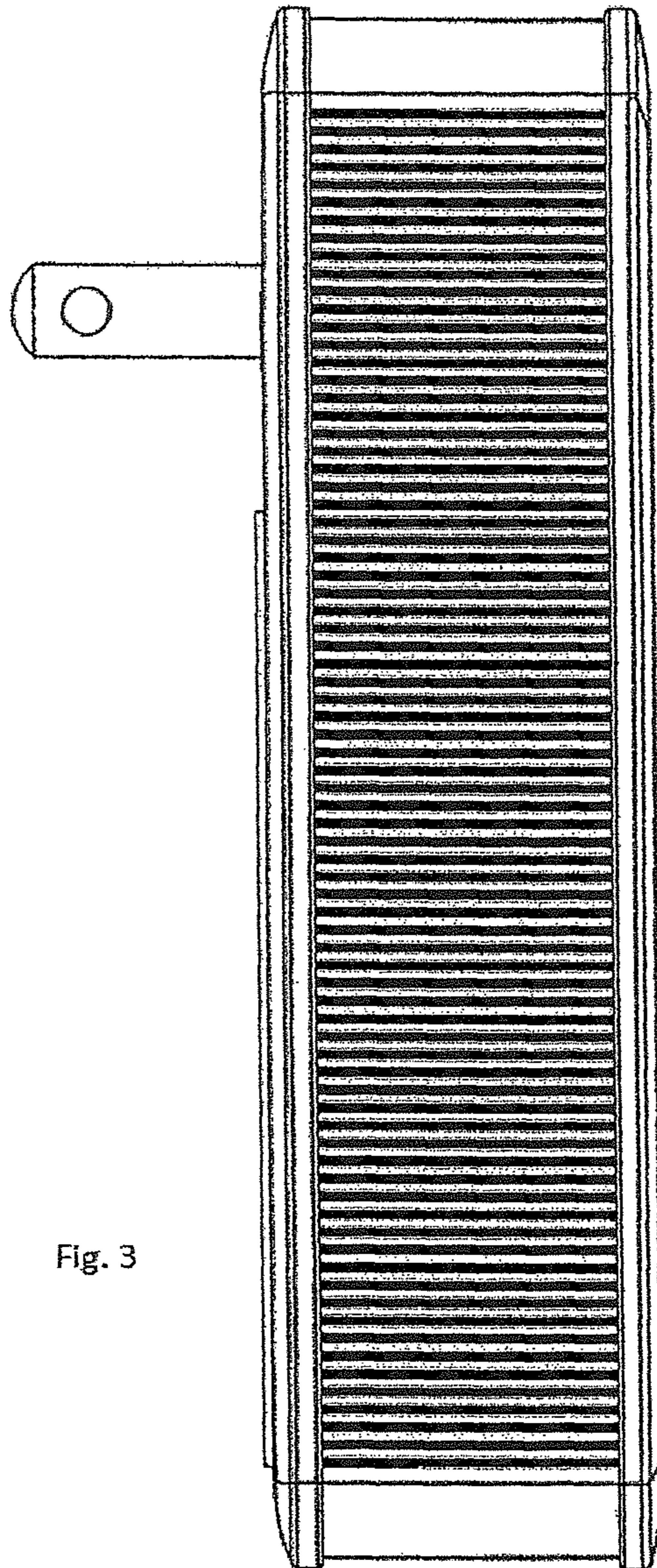


Fig. 3

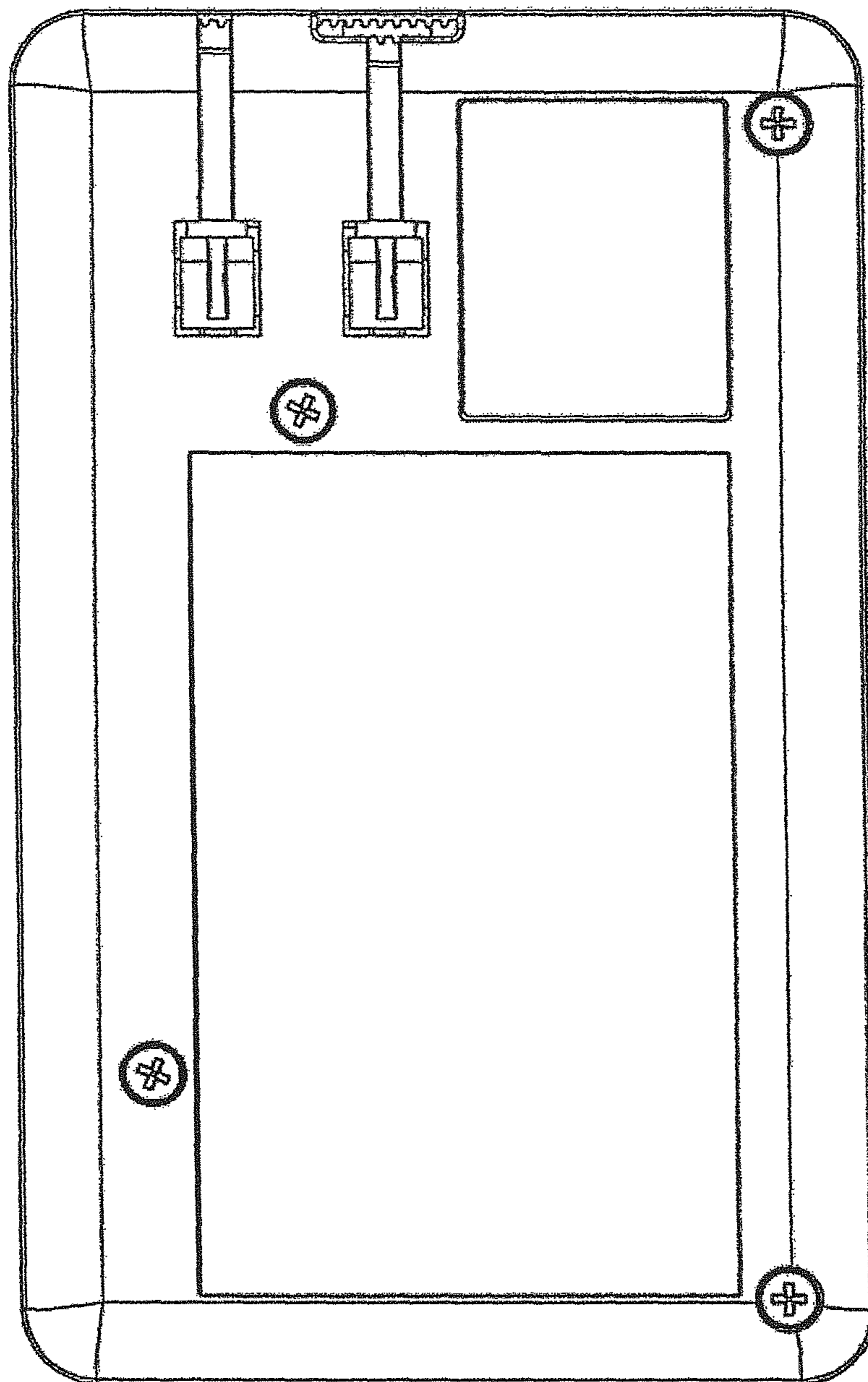


Fig. 4

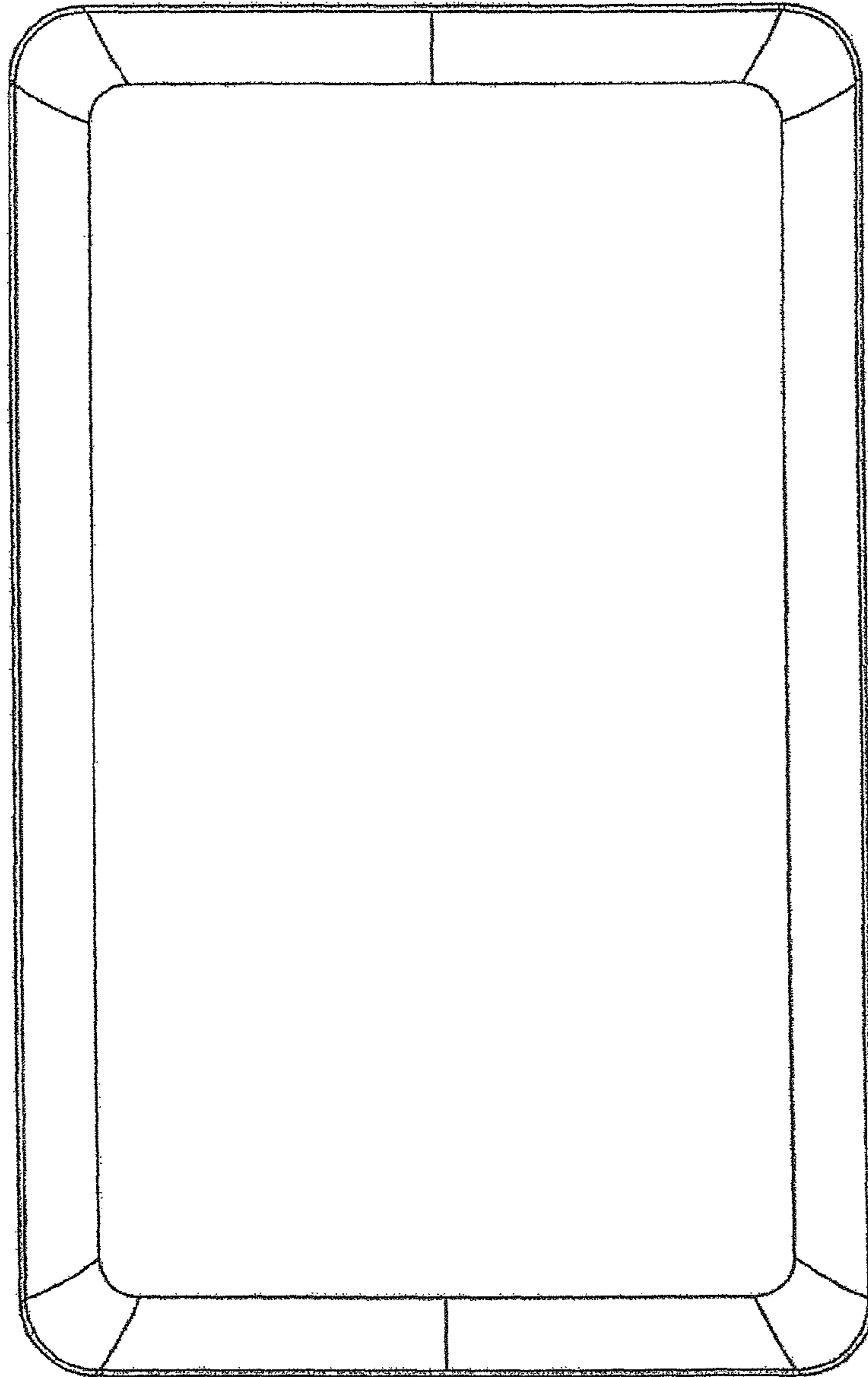


Fig. 5

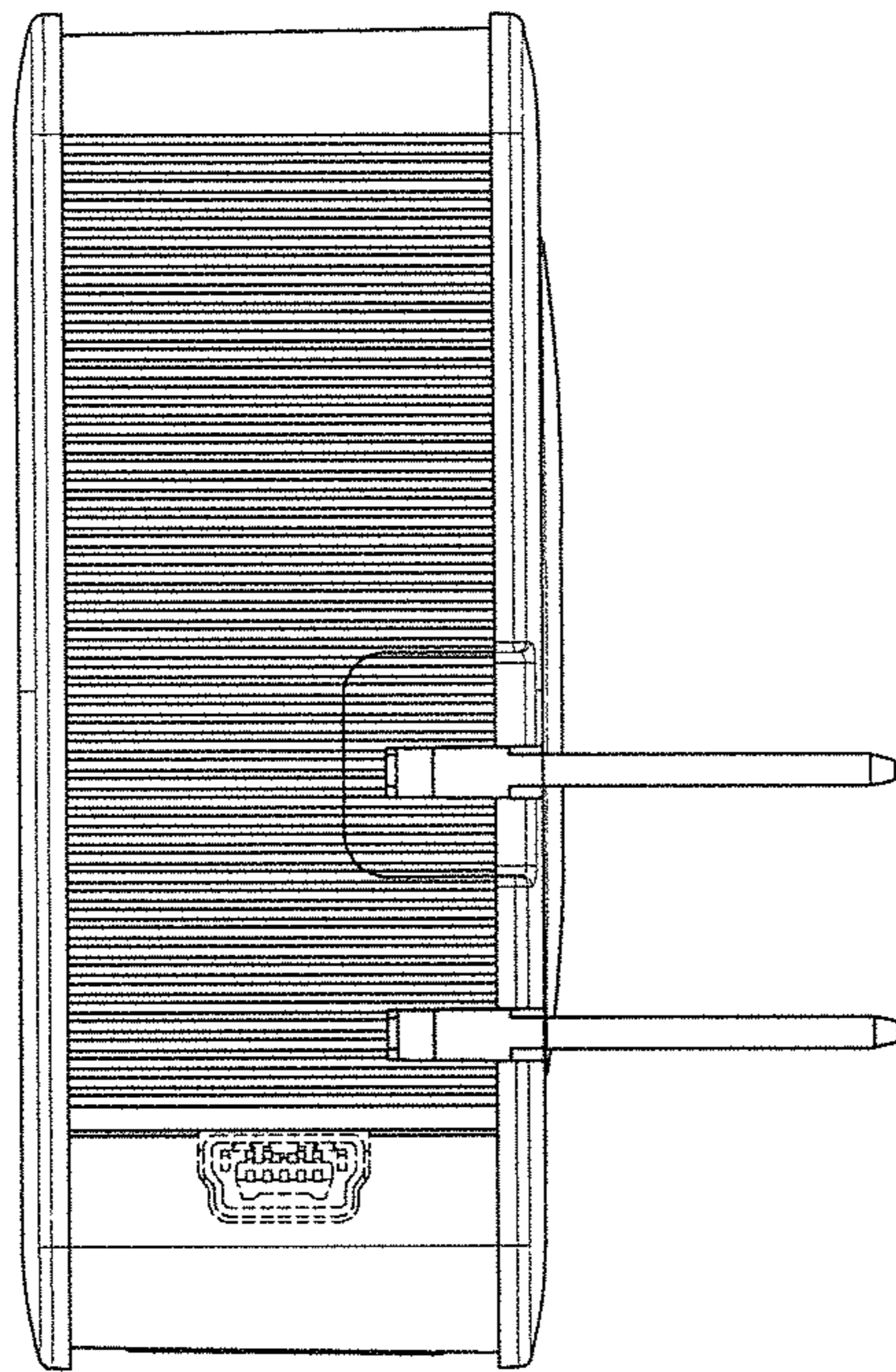


FIG-6

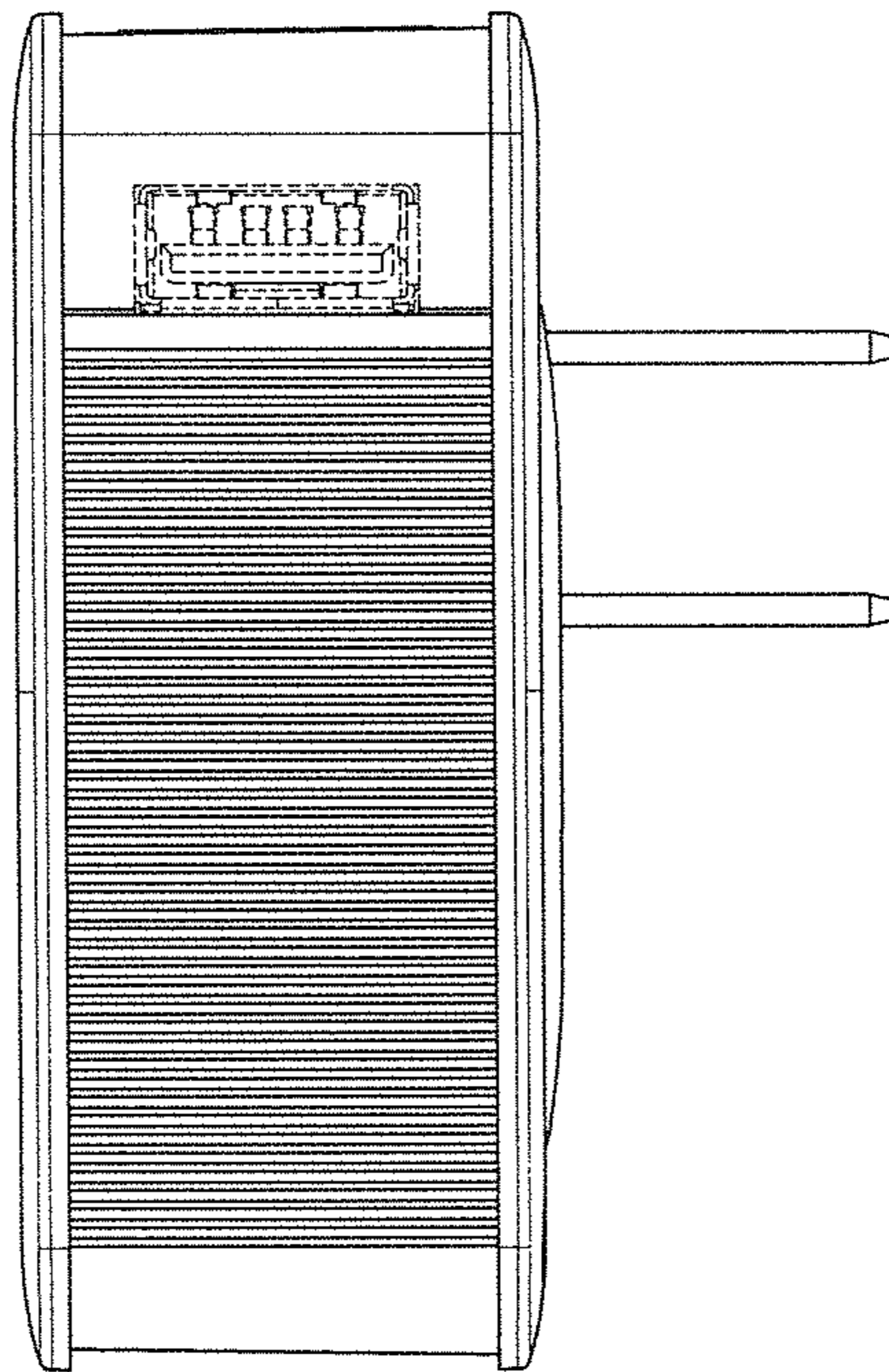


Fig. 7