



US00D695206S

(12) **United States Design Patent**
Eriksson

(10) **Patent No.:** **US D695,206 S**

(45) **Date of Patent:** **** Dec. 10, 2013**

(54) **VEHICLE ROOF CROSS-BAR**

(71) Applicant: **Thule Sweden AB**, Hillerstorp (SE)

(72) Inventor: **Henrik Eriksson**, Jonkoping (SE)

(73) Assignee: **Thule Sweden AB**, Hillerstorp (SE)

(**) Term: **14 Years**

(21) Appl. No.: **29/433,100**

(22) Filed: **Sep. 26, 2012**

(51) **LOC (9) Cl.** **12-16**

(52) **U.S. Cl.**

USPC **D12/414**

(58) **Field of Classification Search**

USPC D12/414; D32/35, 58; D6/317-319,
D6/513-514; 206/213, 8, 9, 279, 290, 713,
206/335

See application file for complete search history.

(56) **References Cited**

U.S. PATENT DOCUMENTS

2,772,824	A	*	12/1956	Binding	224/319
D332,243	S	*	1/1993	Collins	D12/413
5,456,397	A	*	10/1995	Pedrini	224/324
D415,096	S	*	10/1999	Englander et al.	D12/406
D555,573	S	*	11/2007	Kemery et al.	D12/412
D566,034	S	*	4/2008	Davis et al.	D12/408
D574,096	S	*	7/2008	Klinkman et al.	D26/28
D642,112	S	*	7/2011	Farber	D12/414

D642,113 S * 7/2011 Farber D12/414

* cited by examiner

Primary Examiner — Katrina A Betton

(74) *Attorney, Agent, or Firm* — Novak Druce Connolly
Bove + Quigg LLP

(57) **CLAIM**

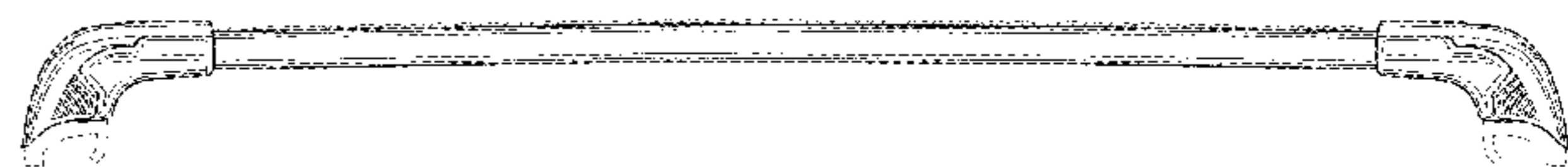
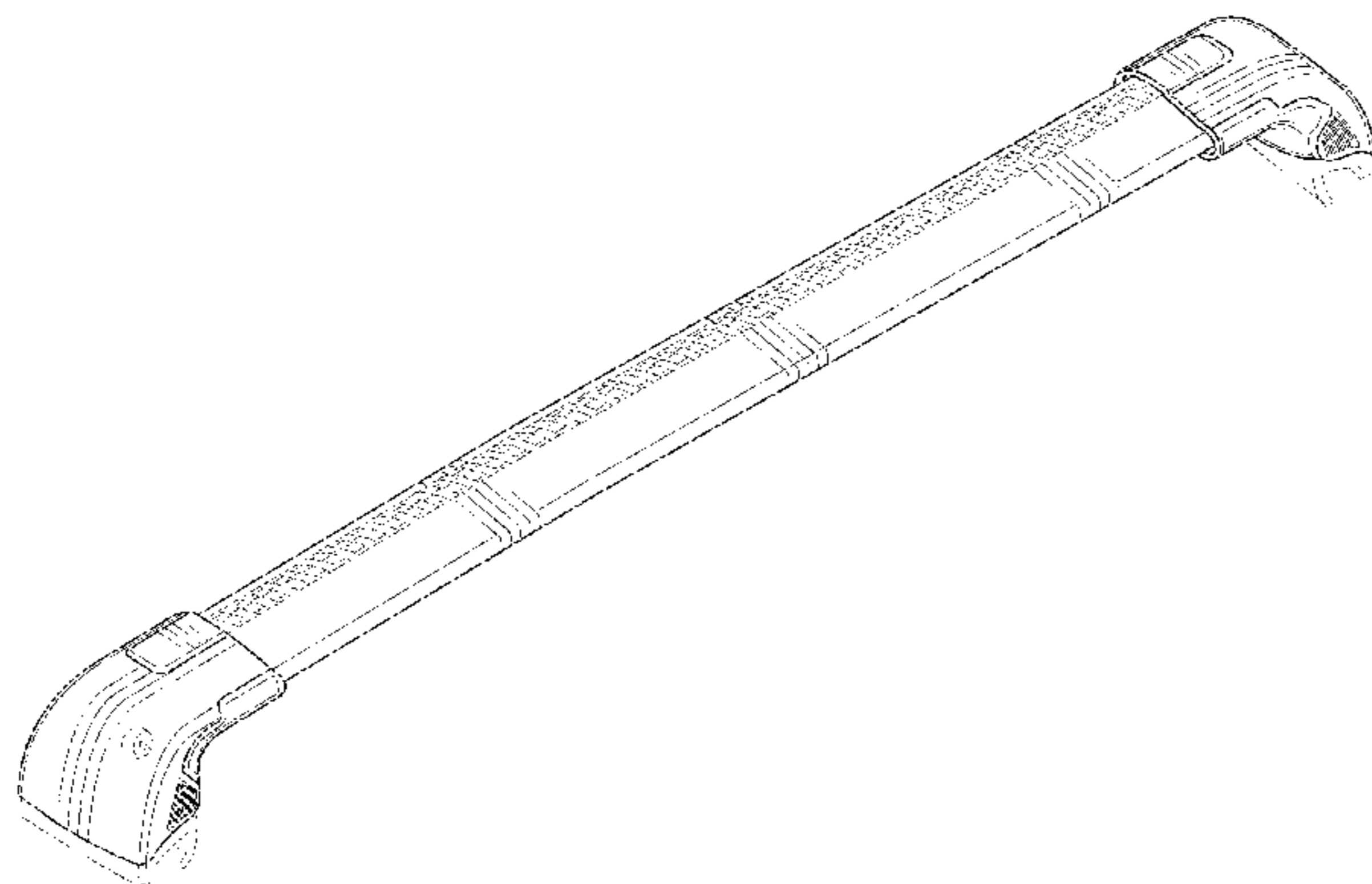
I claim the ornamental design for a vehicle roof cross-bar, as shown and described.

DESCRIPTION

FIG. 1 is a perspective view of a vehicle roof cross-bar;
FIG. 2 is a front elevational view thereof;
FIG. 3 is a rear elevational view thereof;
FIG. 4 is a top plan view thereof;
FIG. 5 is a bottom plan view thereof;
FIG. 6 is a right side elevational view thereof;
FIG. 7 is a left side elevational view thereof;
FIG. 8 is an enlarged perspective top view of a right end thereof;
FIG. 9 is an enlarged perspective bottom view of a right end thereof; and,
FIG. 10 is a cross-sectional view thereof taken along axis 10-10 from FIG. 4.

The left half of the claimed design is a mirror image of the right half. Broken lines are used to illustrate unclaimed portions of the vehicle roof cross-bar; broken lines form no part of the claimed design.

1 Claim, 9 Drawing Sheets



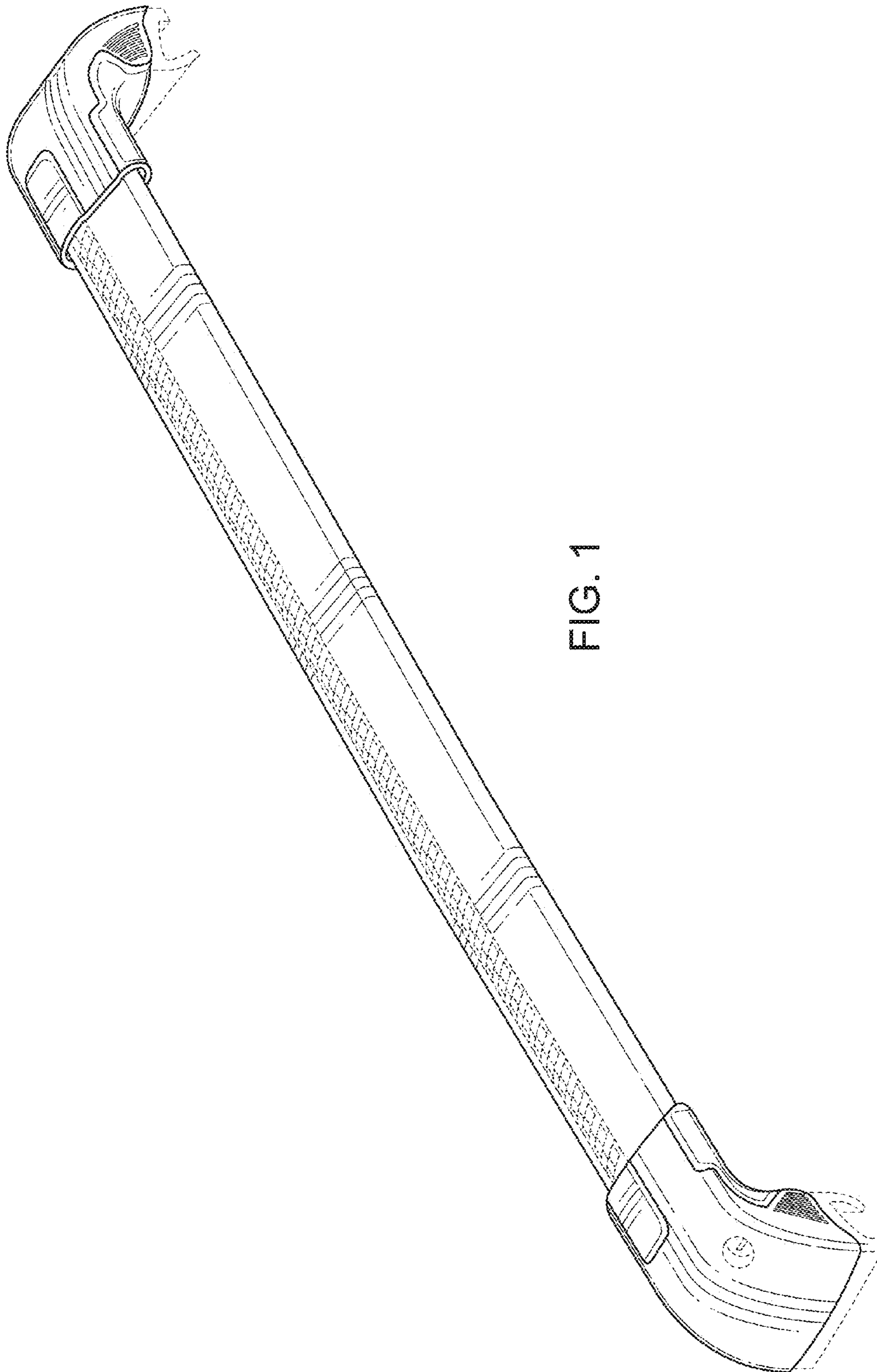


FIG. 1



FIG. 2

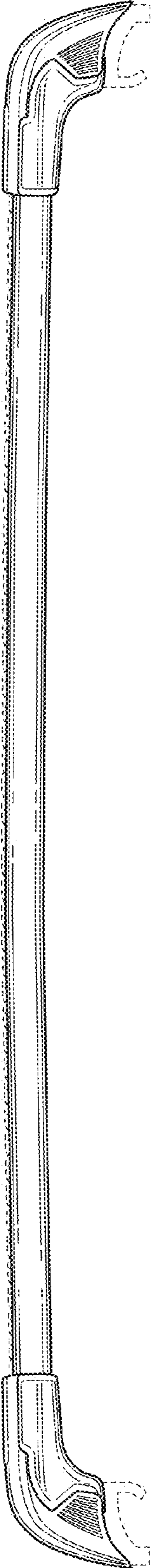


FIG. 3

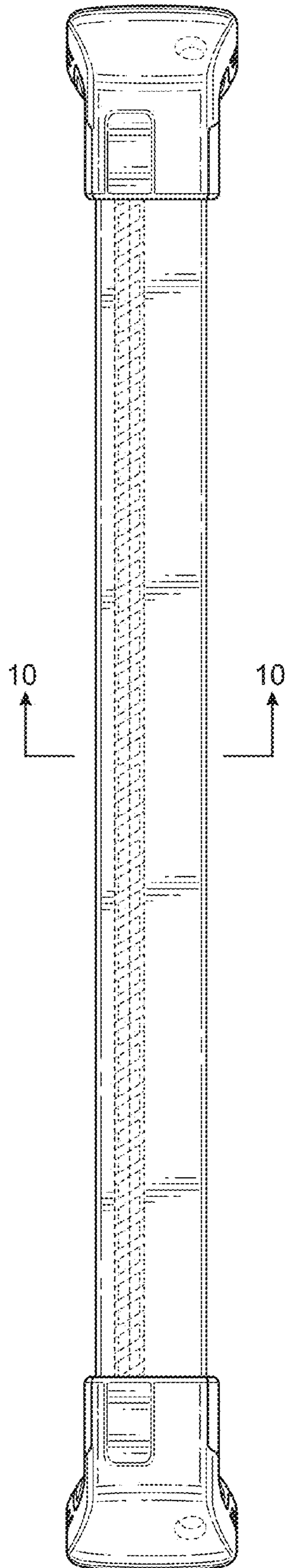


FIG. 4

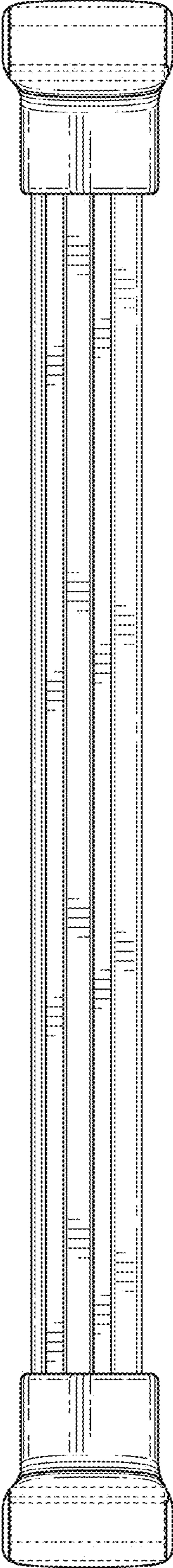


FIG. 5

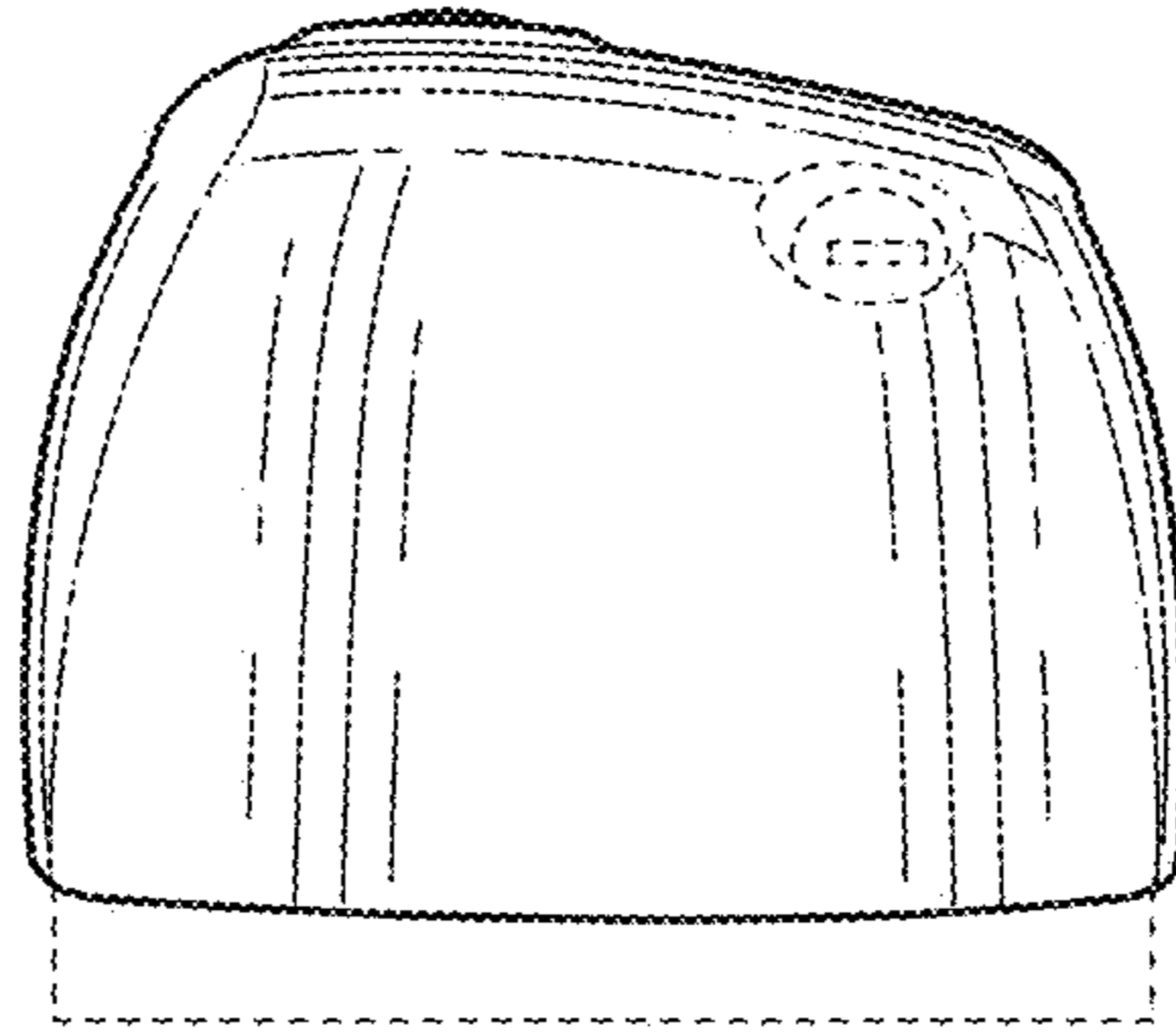


FIG. 6

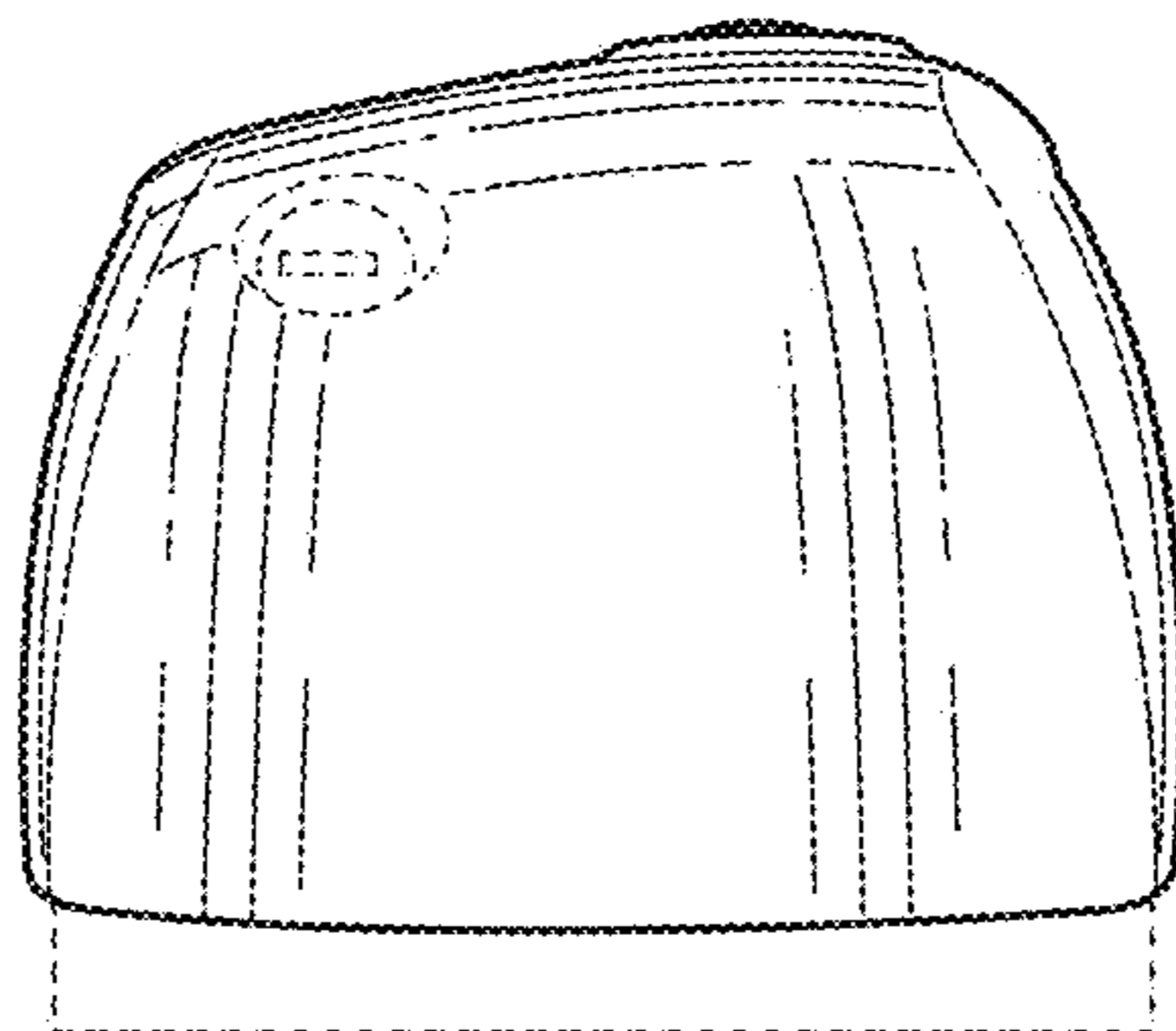


FIG. 7

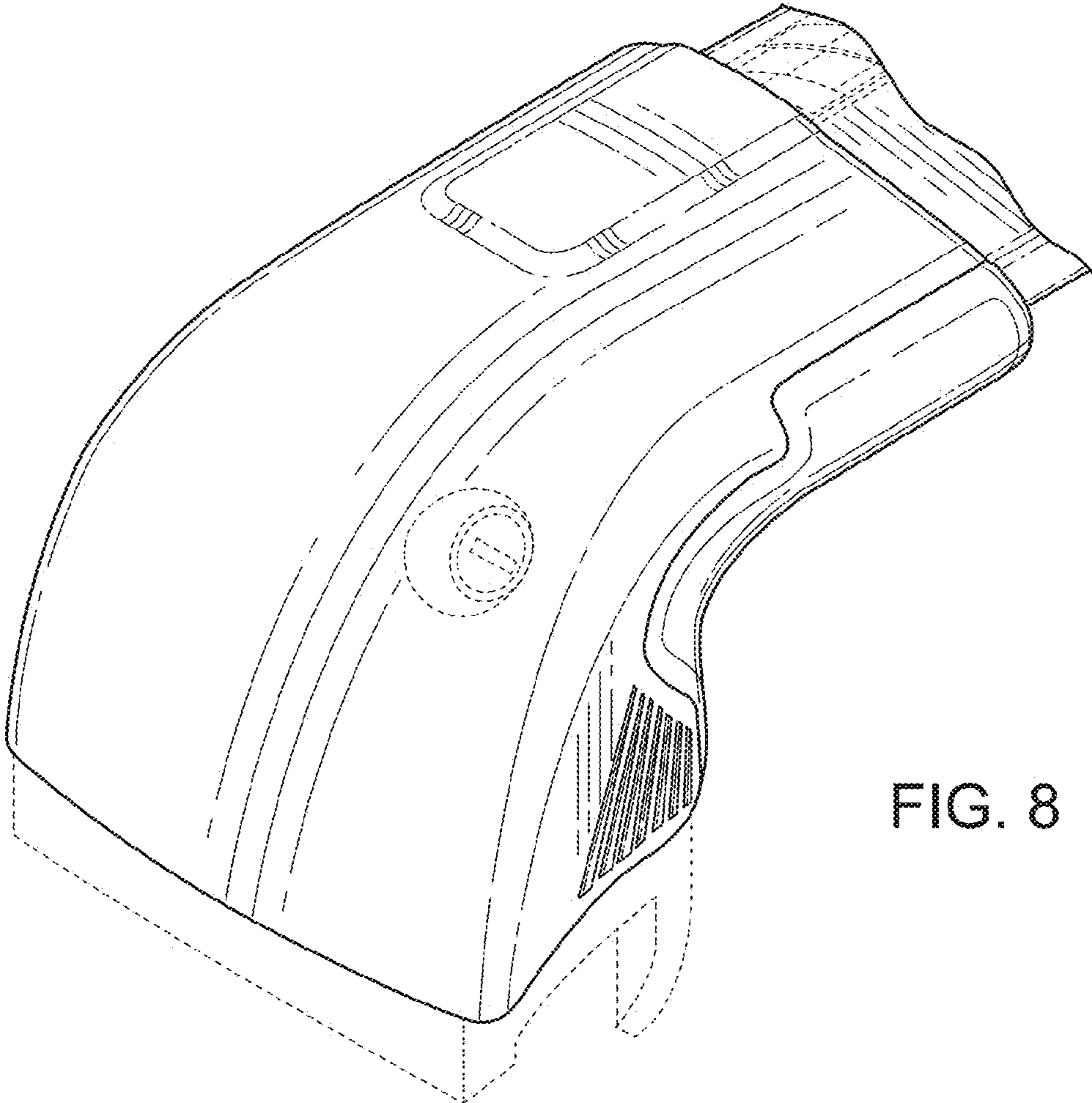


FIG. 8

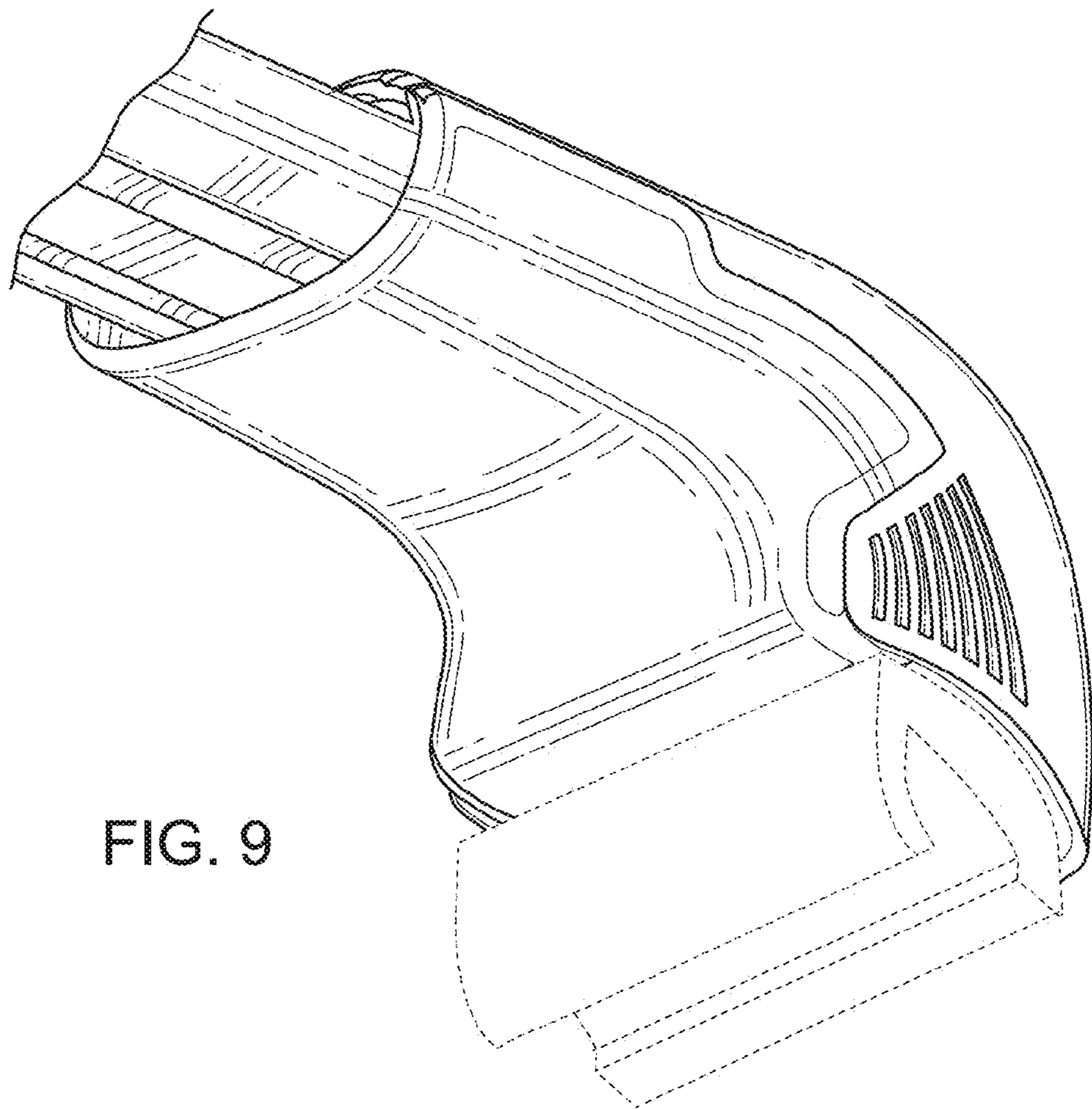


FIG. 9

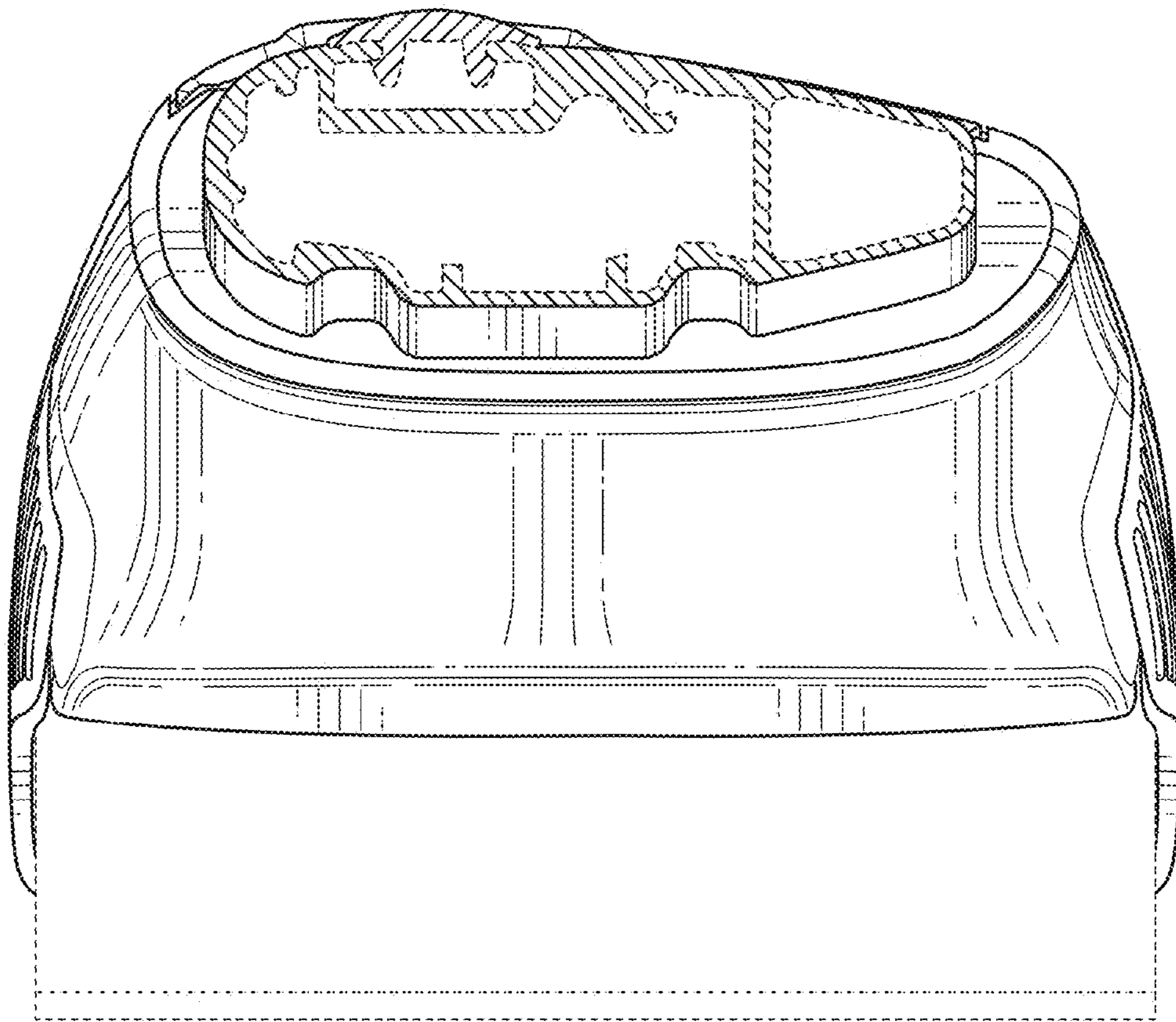


FIG. 10