



US00D695204S

(12) **United States Design Patent**
Kim

(10) **Patent No.:** **US D695,204 S**

(45) **Date of Patent:** **** Dec. 10, 2013**

(54) **ARM-BINDING CONNECTOR FOR AN
AUTOMOBILE WIPER**

(75) Inventor: **In-Kyu Kim**, Gyeonggi-do (KR)

(73) Assignees: **In-Kyu Kim**, Gyeonggi-do (KR);
ADM21 Co., Ltd., Chungcheongnam-do
(KR)

(**) Term: **14 Years**

(21) Appl. No.: **29/430,432**

(22) Filed: **Aug. 24, 2012**

(51) **LOC (9) Cl.** **12-16**

(52) **U.S. Cl.**
USPC **D12/219**

(58) **Field of Classification Search**
USPC D12/219-220; 15/246, 247, 250.001,
15/250.4, 250.361, 250.19, 250.48,
15/250.03, 250.31-250.33, 250.351,
15/250.38, 250.201, 250.451, 250.458,
15/250.04, 250.07, 250.44

See application file for complete search history.

(56) **References Cited**

U.S. PATENT DOCUMENTS

D152,888 S *	3/1949	Kroh	D12/220
7,055,207 B2 *	6/2006	Coughlin	15/250.32
D597,465 S *	8/2009	Grasso et al.	D12/220
D597,469 S *	8/2009	Grasso et al.	D12/220
D597,470 S *	8/2009	Grasso et al.	D12/220

2004/0123414 A1 *	7/2004	Lee	15/250.32
2007/0234501 A1 *	10/2007	Ho et al.	15/250.32
2008/0086830 A1 *	4/2008	Kim	15/250.32
2010/0154159 A1 *	6/2010	Baque	15/250.32
2010/0275402 A1 *	11/2010	Espinasse	15/250.32
2012/0079669 A1 *	4/2012	Yang et al.	15/250.32
2012/0186035 A1 *	7/2012	Lee	15/250.32
2012/0222231 A1 *	9/2012	Ku	15/250.32

* cited by examiner

Primary Examiner — Katrina A Betton

(74) *Attorney, Agent, or Firm* — Seed IP Law Group PLLC

(57) **CLAIM**

The ornamental design for an arm-binding connector for an automobile wiper, as shown and described.

DESCRIPTION

FIG. 1 is an isometric view of an arm-binding connector for an automobile wiper.

FIG. 2 is a front view thereof.

FIG. 3 is a rear view thereof.

FIG. 4 is a left side view thereof.

FIG. 5 is a right side view thereof.

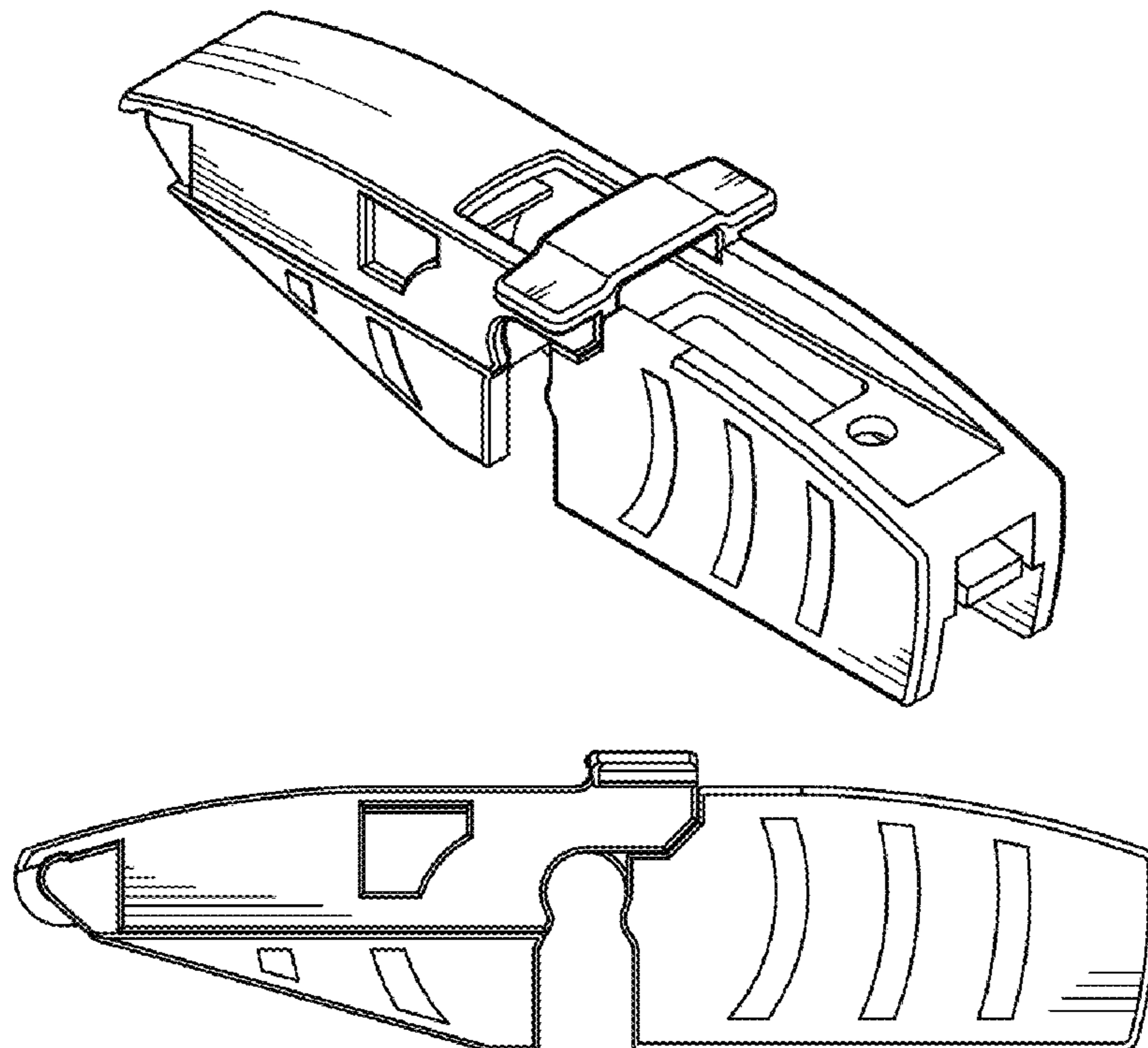
FIG. 6 is a top plan view thereof.

FIG. 7 is a bottom plan view thereof; and,

FIG. 8 is an isometric view showing the arm-binding connector for use with an automobile wiper, which is shown in broken lines.

The broken lines in the figures are for illustrative purposes only and form no part of the claimed design.

1 Claim, 5 Drawing Sheets



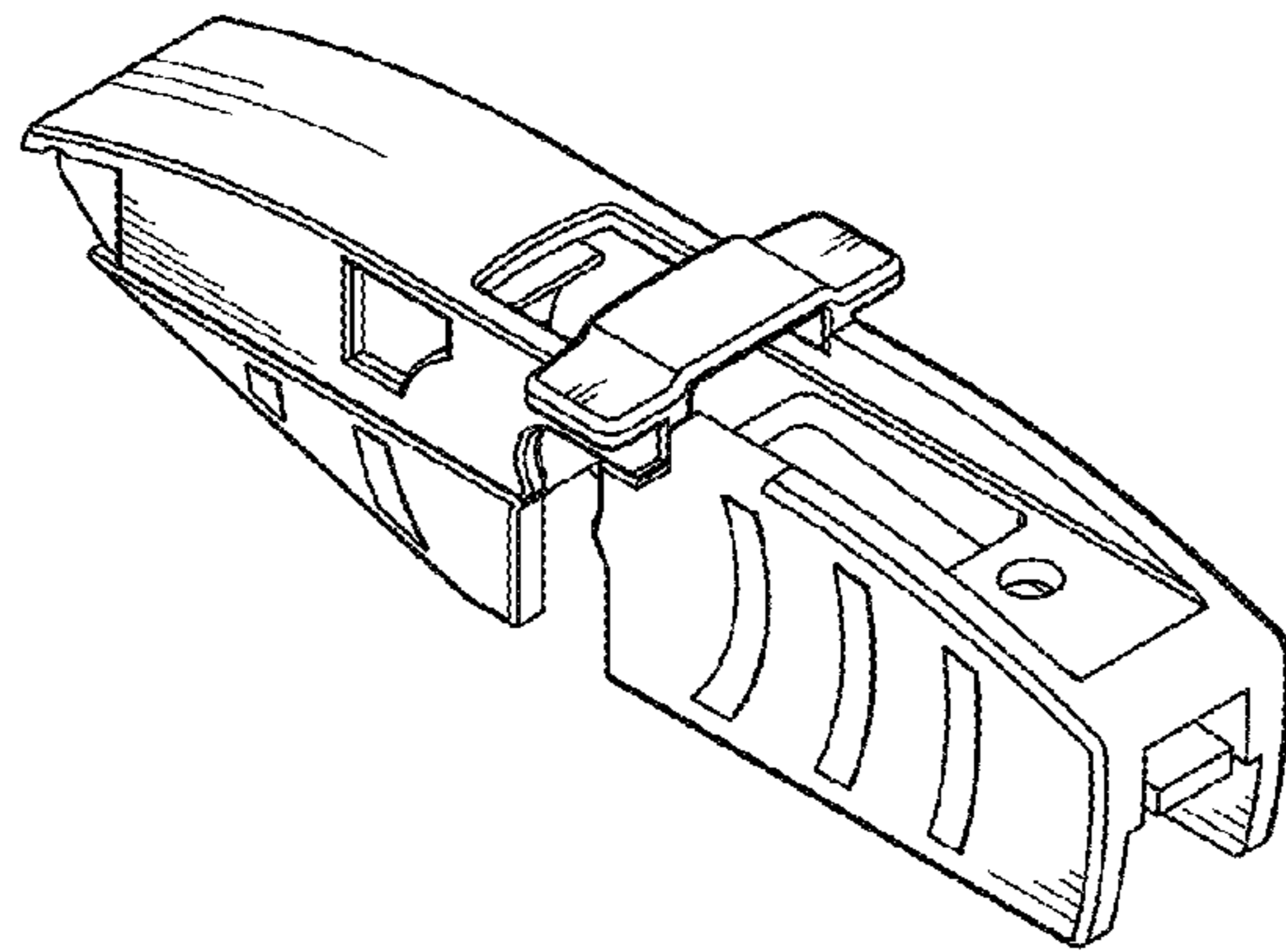


FIG. 1

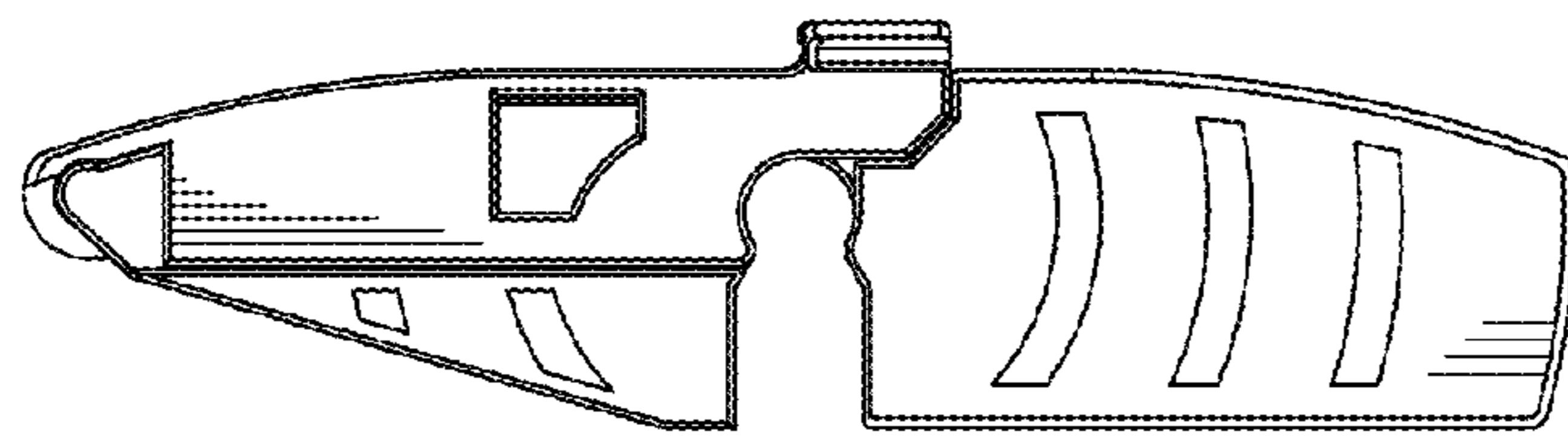


FIG. 2

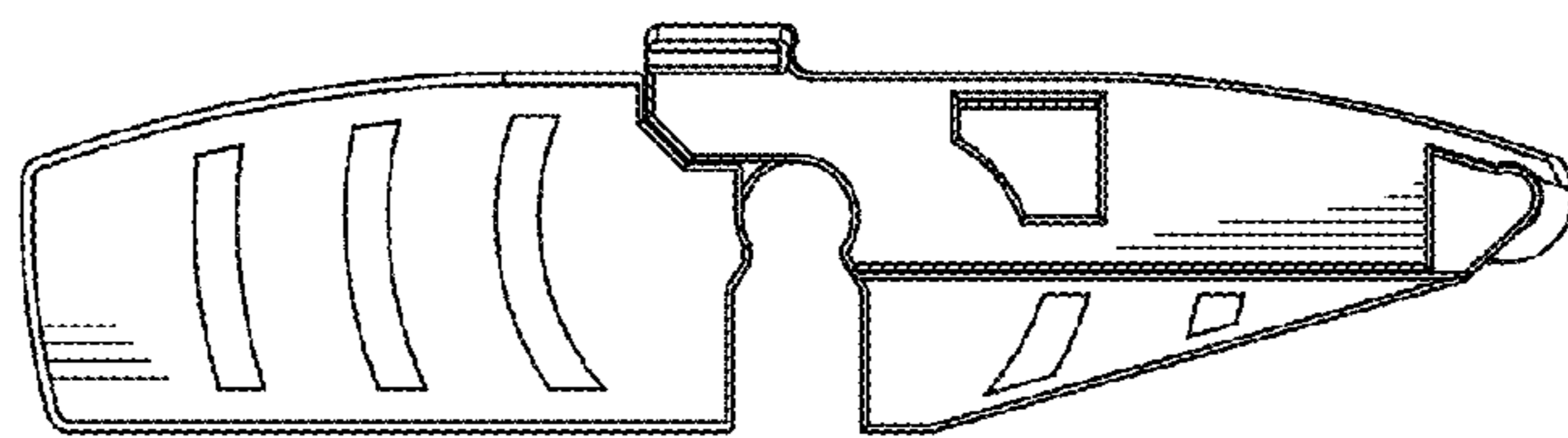


FIG. 3

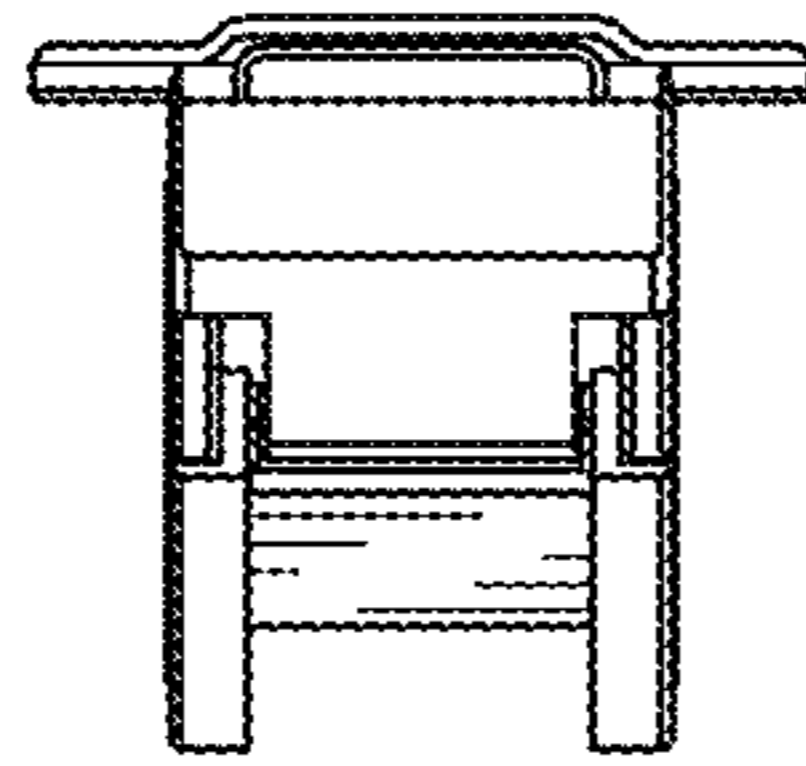


FIG. 4

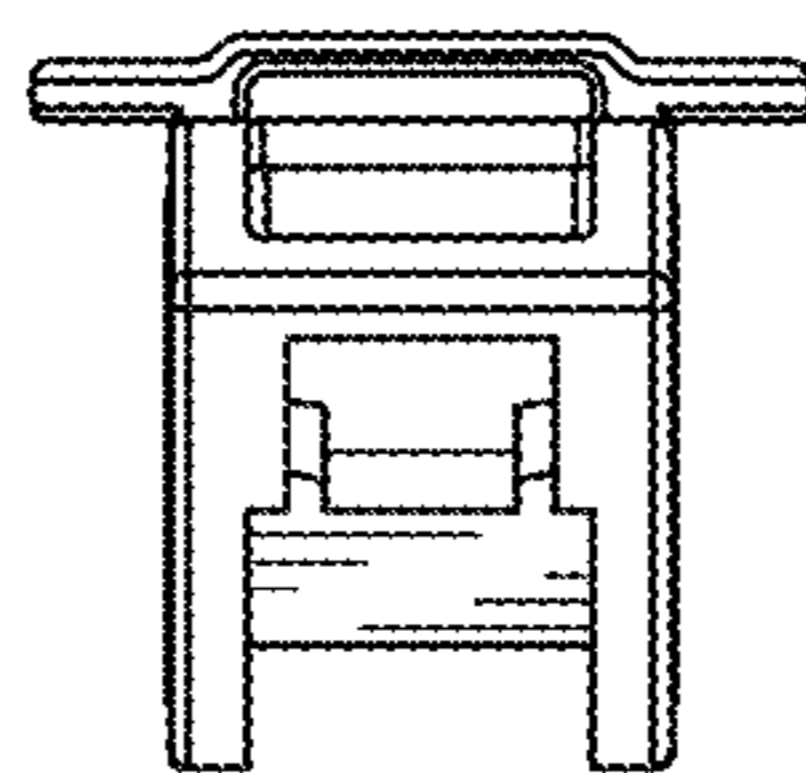


FIG. 5

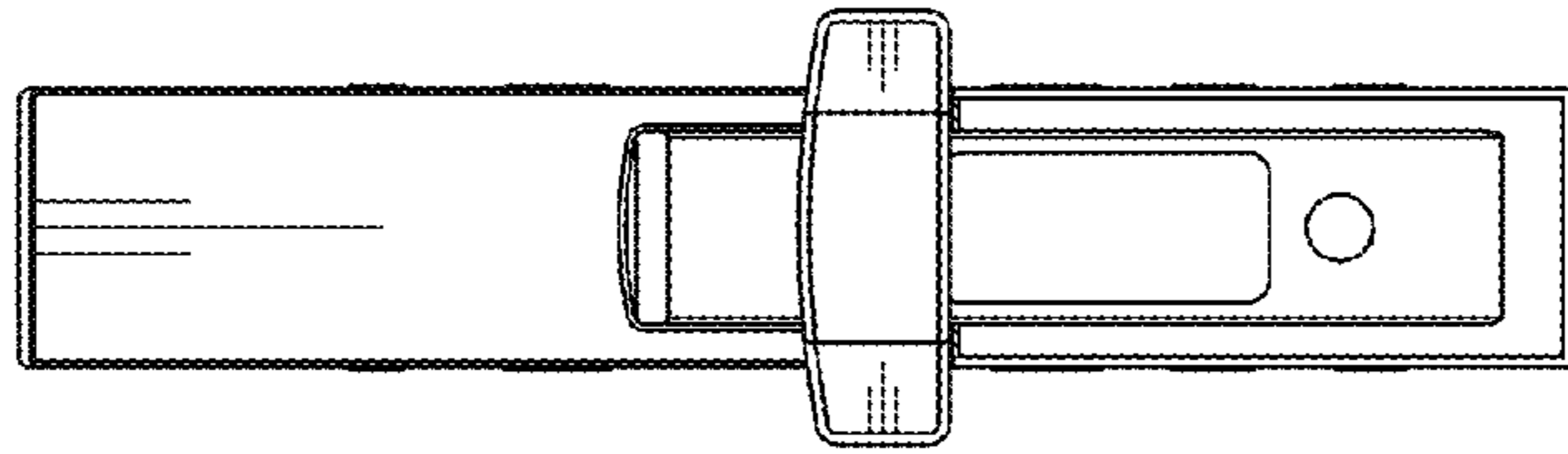


FIG. 6

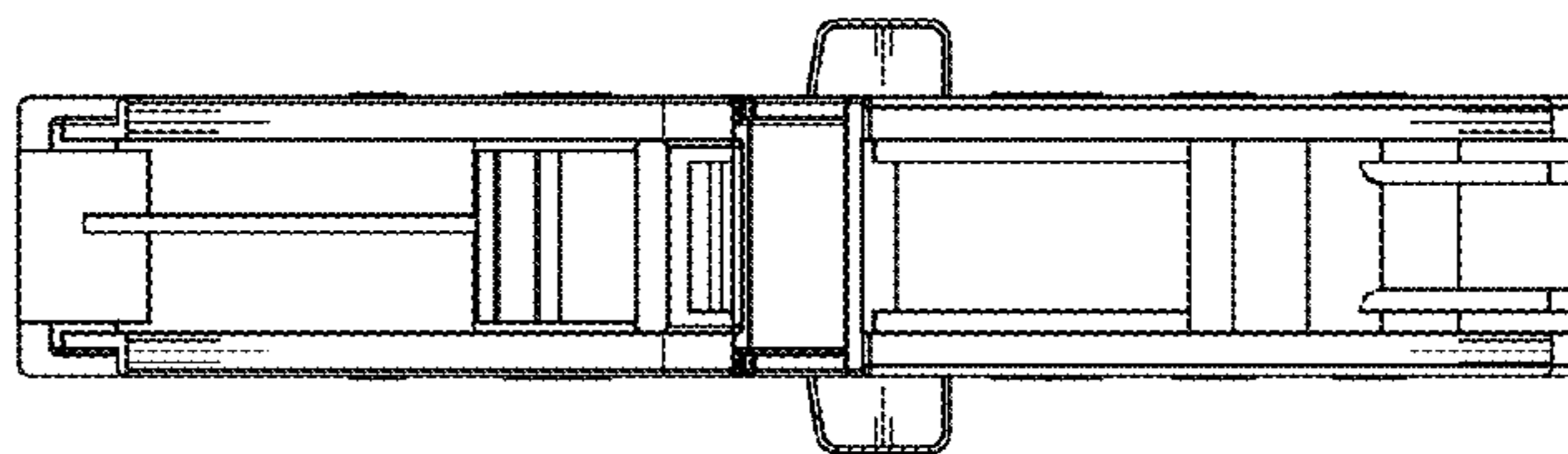
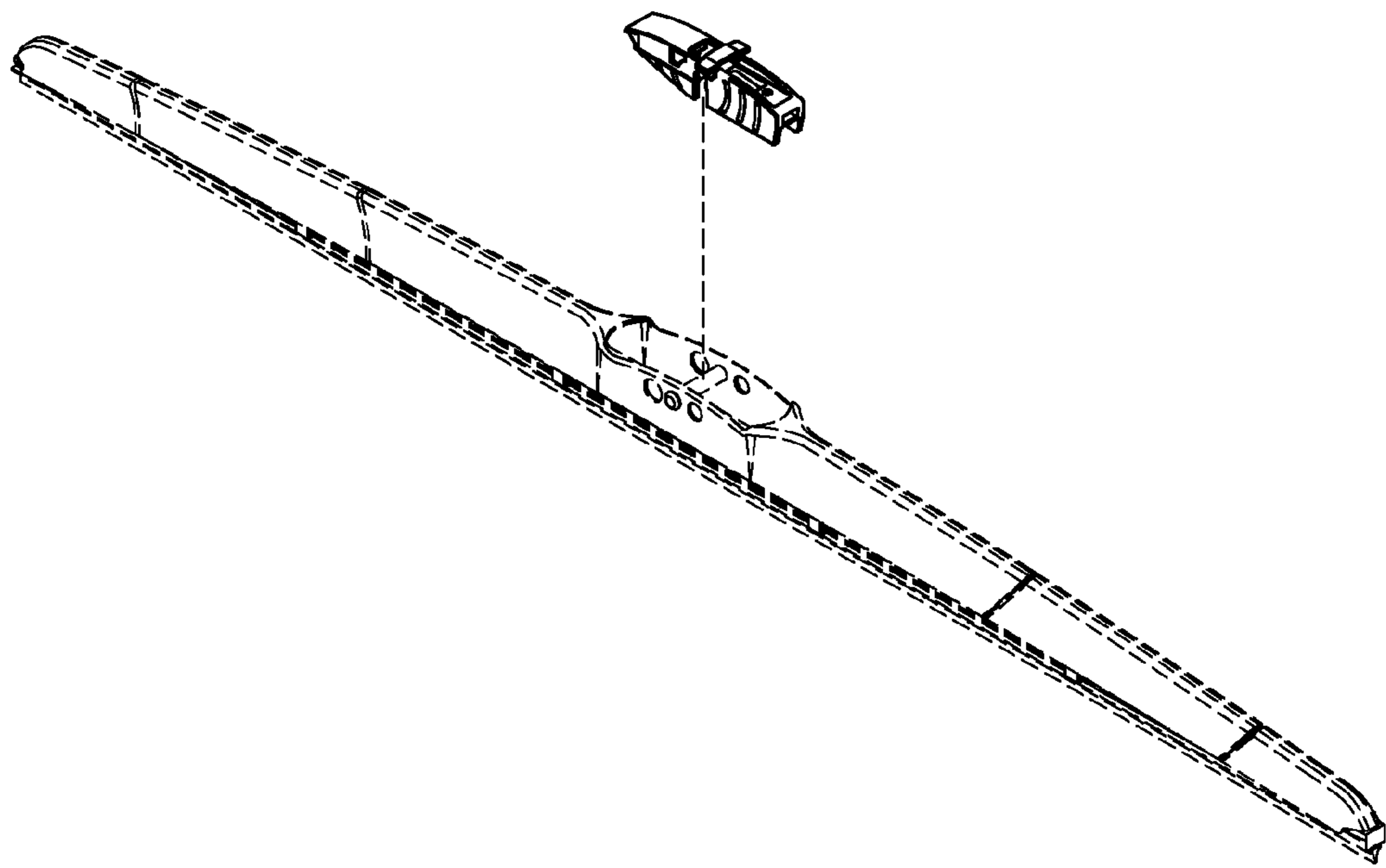


FIG. 7

Fig. 8



UNITED STATES PATENT AND TRADEMARK OFFICE
CERTIFICATE OF CORRECTION

PATENT NO. : D695,204 S
APPLICATION NO. : 29/430432
DATED : December 10, 2013
INVENTOR(S) : In-Kyu Kim

Page 1 of 1

It is certified that error appears in the above-identified patent and that said Letters Patent is hereby corrected as shown below:

On the Title Page, add

Item (30):

--KR 30-2012-0020218 04/26/2012--.

Signed and Sealed this
Twelfth Day of August, 2014



Michelle K. Lee
Deputy Director of the United States Patent and Trademark Office