

US00D695203S

(12) **United States Design Patent**
Kim

(10) **Patent No.:** **US D695,203 S**

(45) **Date of Patent:** **** Dec. 10, 2013**

(54) **WIPER FOR AUTOMOBILES**

(75) Inventor: **In-Kyu Kim**, Gyeonggi-do (KR)

(73) Assignees: **In-Kyu Kim**, Gyeonggi-do (KR);
ADM21 Co., Ltd., Chungcheongnam-do (KR)

(**) Term: **14 Years**

(21) Appl. No.: **29/422,639**

(22) Filed: **May 22, 2012**

(30) **Foreign Application Priority Data**

Feb. 29, 2012 (KR) 30-2012-0009607

(51) **LOC (9) Cl.** **12-06**

(52) **U.S. Cl.**
USPC **D12/219**

(58) **Field of Classification Search**
USPC D12/219-220; 15/246, 247, 250.001,
15/250.4, 250.361, 250.19, 250.48,
15/250.03, 250.31-250.33, 250.351,
15/250.38, 250.201, 250.451, 250.458,
15/250.04, 250.07, 250.44
See application file for complete search history.

(56) **References Cited**

U.S. PATENT DOCUMENTS

D379,613 S * 6/1997 Chen D12/219
D382,848 S * 8/1997 Chen D12/219

2006/0048329 A1* 3/2006 Thienard 15/250.32
2006/0179598 A1* 8/2006 Leu 15/250.201
2008/0028564 A1* 2/2008 Ku 15/250.43
2008/0047090 A1* 2/2008 Ku 15/250.32
2008/0052865 A1* 3/2008 Chiang 15/250.43
2010/0319154 A1* 12/2010 Bousset 15/250.48
2010/0319155 A1* 12/2010 Boland 15/250.48
2011/0099743 A1* 5/2011 Chiang 15/250.32
2012/0260451 A1* 10/2012 Boland 15/250.33

* cited by examiner

Primary Examiner — Katrina A Betton

(74) *Attorney, Agent, or Firm* — Seed IP Law Group PLLC

(57) **CLAIM**

The ornamental design for a wiper for automobiles, as shown and described.

DESCRIPTION

FIG. 1 is a isometric view of a wiper for automobiles showing my new design.

FIG. 2 is a front view thereof.

FIG. 3 is a rear view thereof.

FIG. 4 is a left side view thereof.

FIG. 5 is a right side view thereof.

FIG. 6 is a top plan view thereof.

FIG. 7 is a bottom plan view thereof.

FIG. 8 is an enlarged isometric view of the portion partitioned by lines A-A' in FIG. 1.

FIG. 9 is an enlarged view of FIG. 4; and,

FIG. 10 is an enlarged view of FIG. 5.

1 Claim, 4 Drawing Sheets



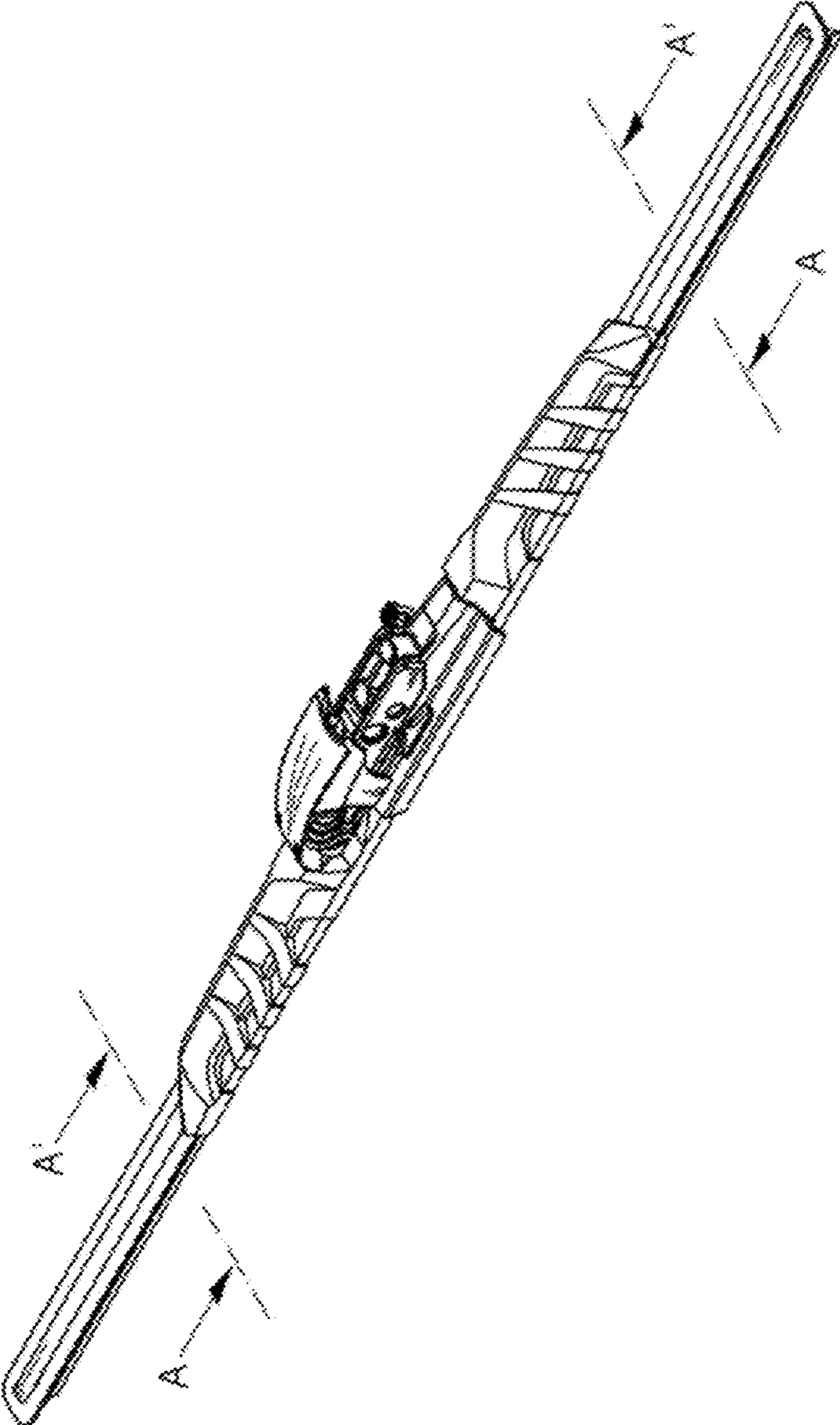


Fig. 1

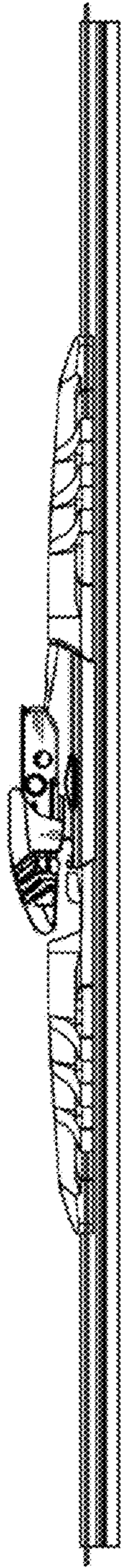


Fig. 2

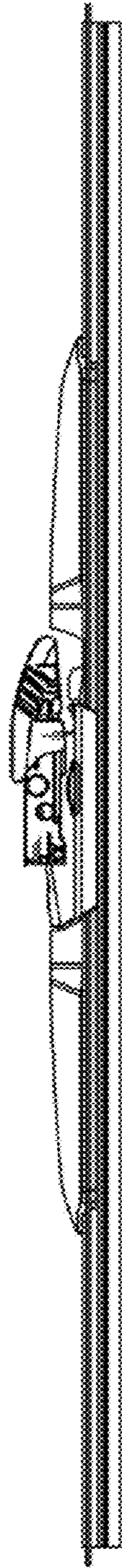


Fig. 3



Fig. 4



Fig. 5

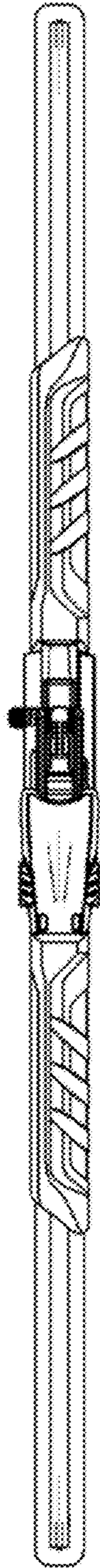


Fig. 6

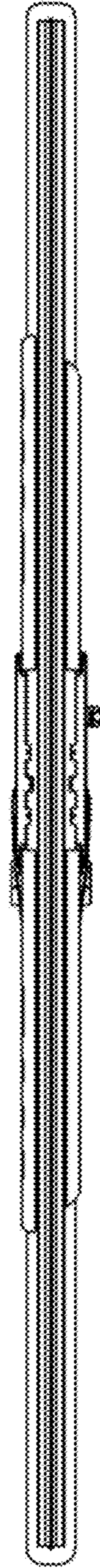


Fig. 7

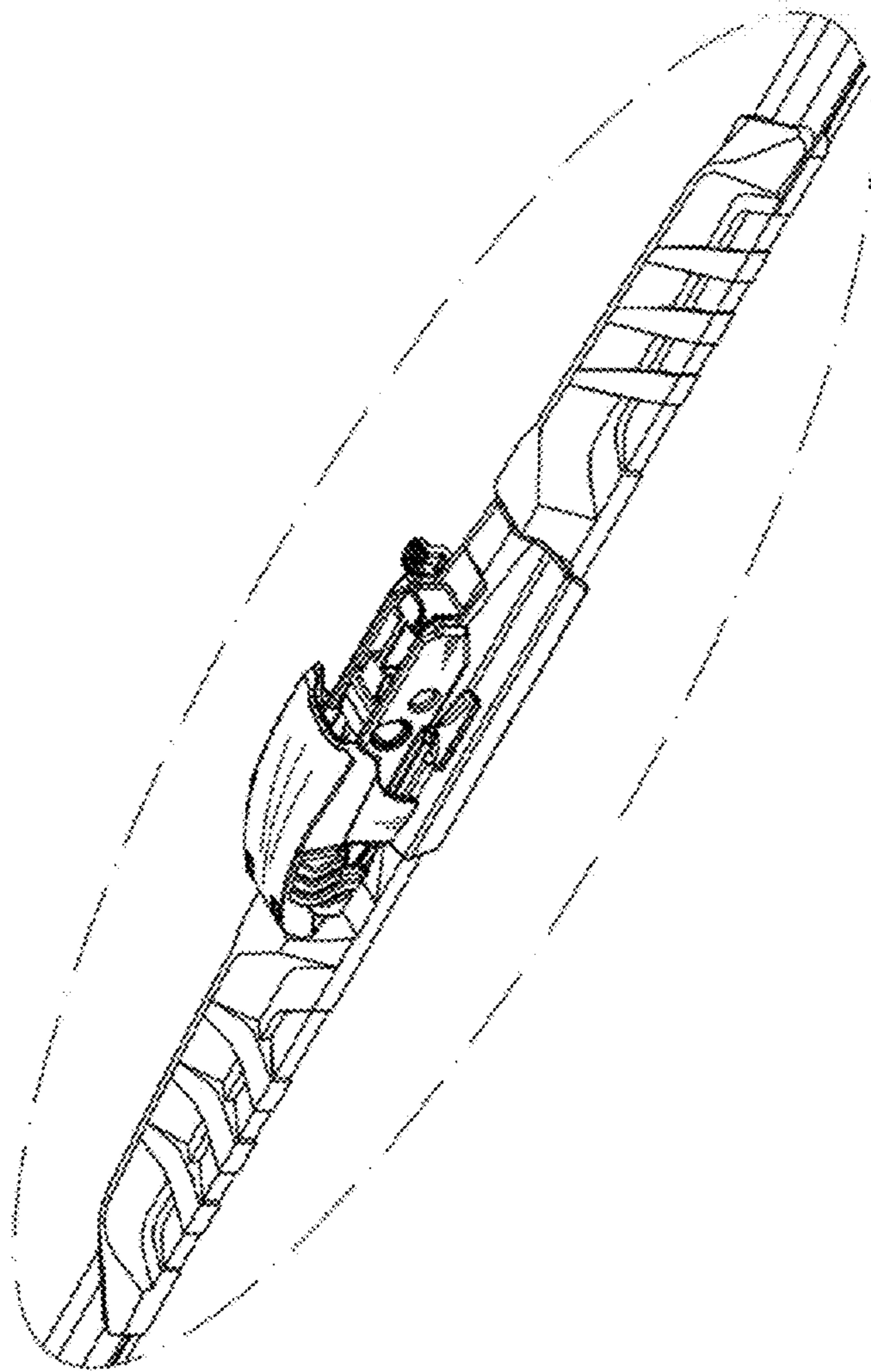


Fig. 8

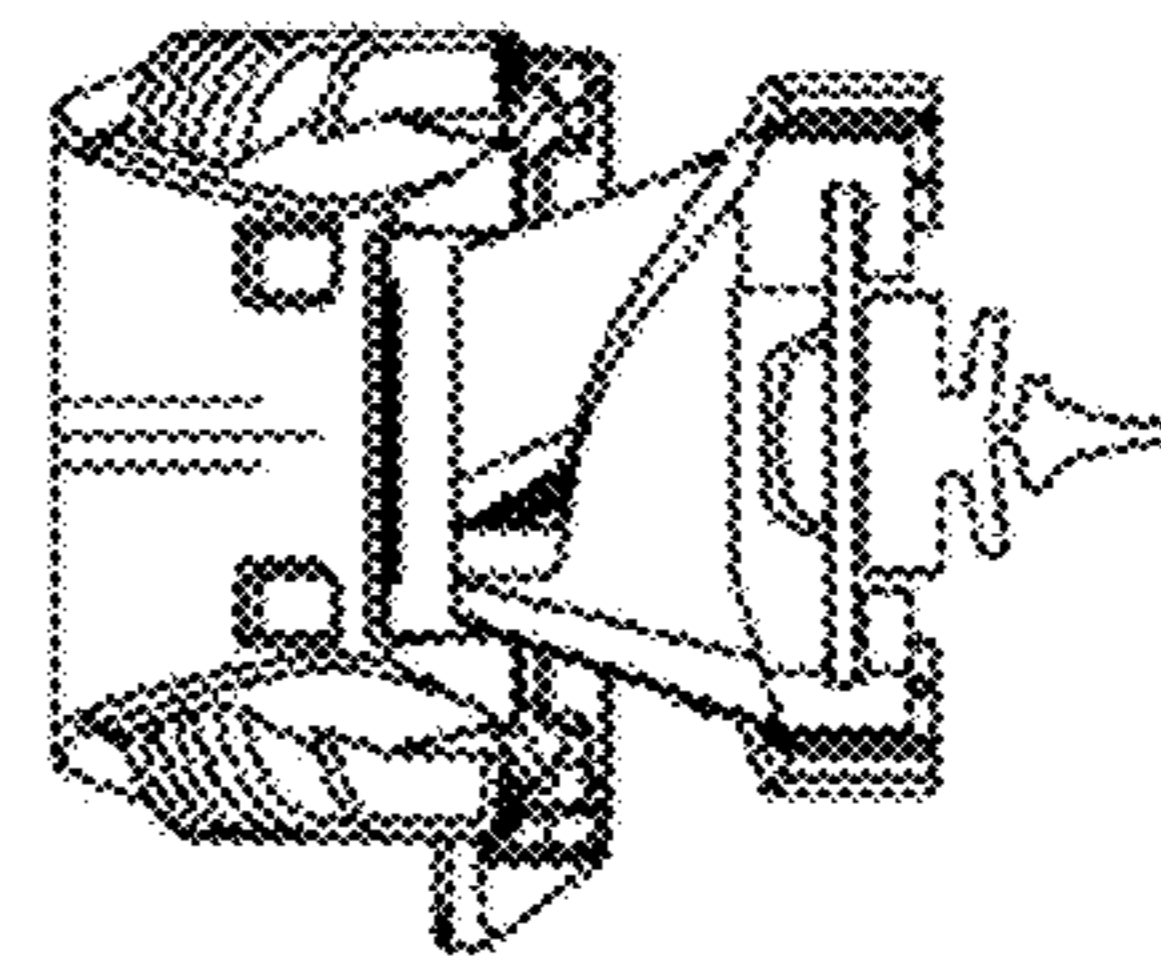


Fig. 9

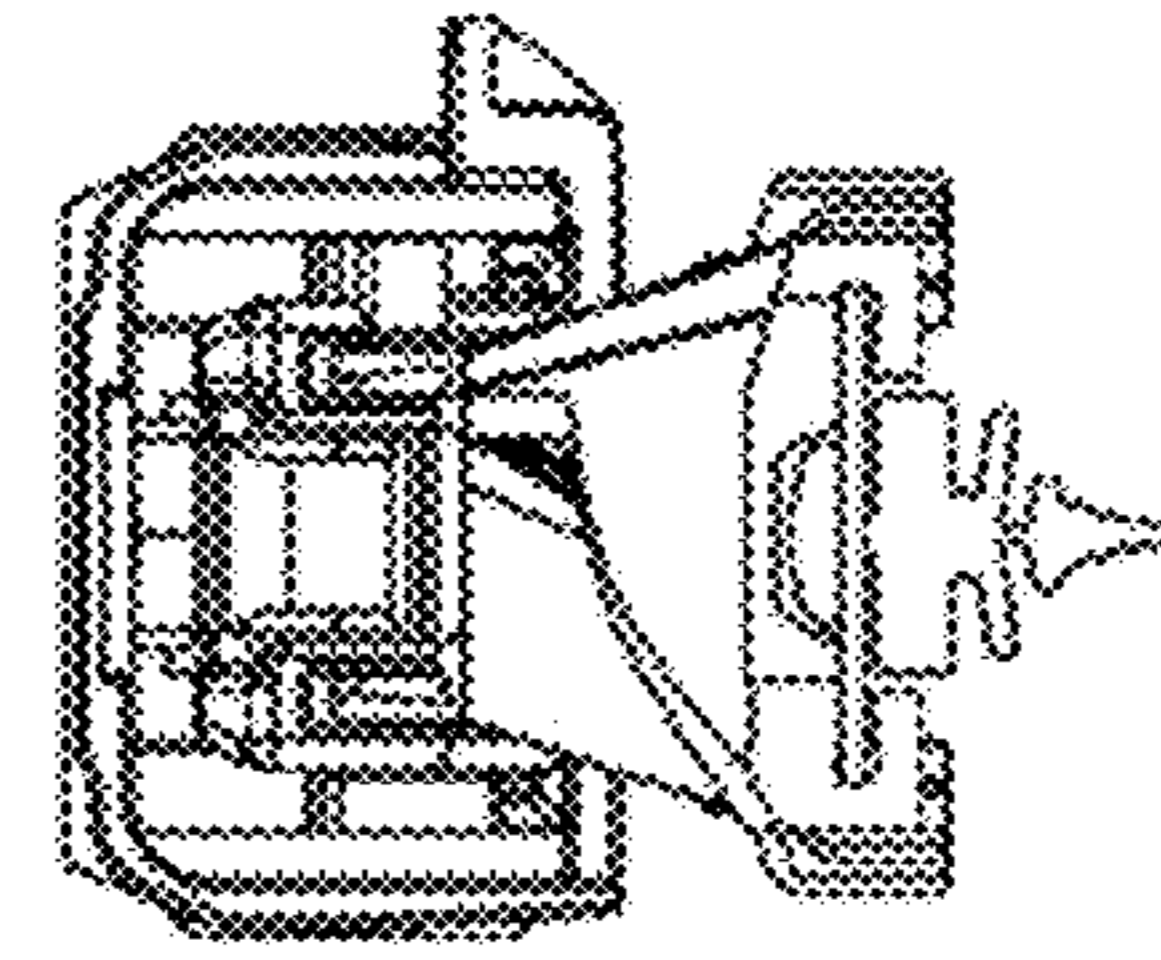


Fig. 10