

US00D695201S

(12) **United States Design Patent**  
**Zhao**

(10) **Patent No.:** **US D695,201 S**

(45) **Date of Patent:** **\*\* Dec. 10, 2013**

(54) **AUTOMOBILE WHEEL**

(71) Applicant: **John Zhao**, Monterey Park, CA (US)

(72) Inventor: **John Zhao**, Monterey Park, CA (US)

(73) Assignee: **Wah Hung Group Inc.**, Monterey Park, CA (US)

(\*\*) Term: **14 Years**

(21) Appl. No.: **29/457,902**

(22) Filed: **Jun. 13, 2013**

(51) **LOC (9) Cl.** ..... **12-16**

(52) **U.S. Cl.**  
USPC ..... **D12/211**

(58) **Field of Classification Search**  
USPC ..... D12/204-213; 301/37.101, 64.101, 65,  
301/64.201  
See application file for complete search history.

(56) **References Cited**

**U.S. PATENT DOCUMENTS**

D554,037 S \* 10/2007 Chung ..... D12/211  
D578,458 S \* 10/2008 Cortes ..... D12/211  
D582,334 S \* 12/2008 Fournier ..... D12/211

D624,863 S \* 10/2010 Zhao ..... D12/211  
D629,347 S \* 12/2010 Kim ..... D12/211  
D633,028 S \* 2/2011 Kim ..... D12/211  
D659,069 S \* 5/2012 Johnson ..... D12/211  
D675,971 S \* 2/2013 Lee ..... D12/209  
D681,536 S \* 5/2013 Zhao ..... D12/211

\* cited by examiner

*Primary Examiner* — Stacia Cadmus

(74) *Attorney, Agent, or Firm* — Adli Law Group P.C.

(57) **CLAIM**

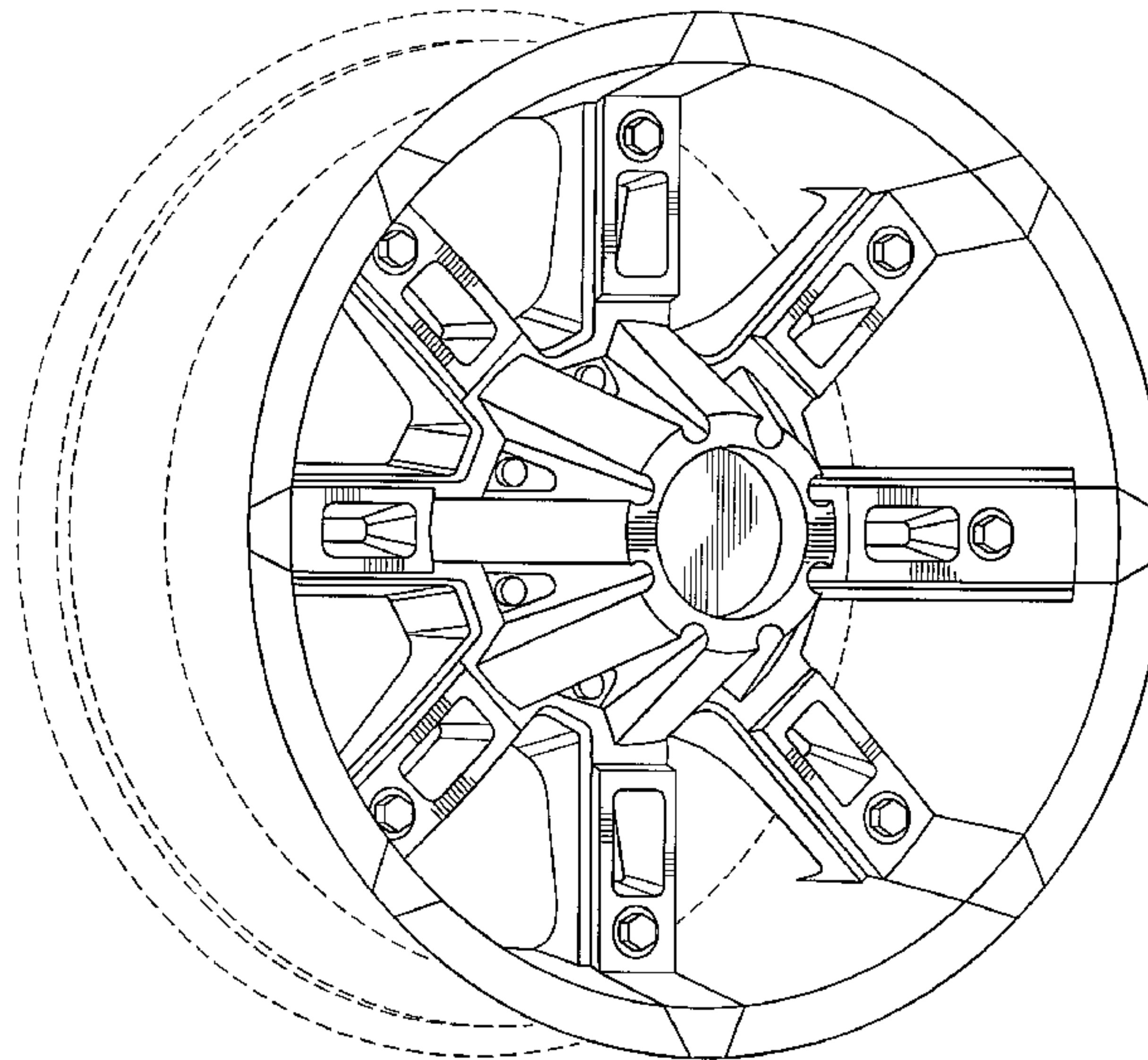
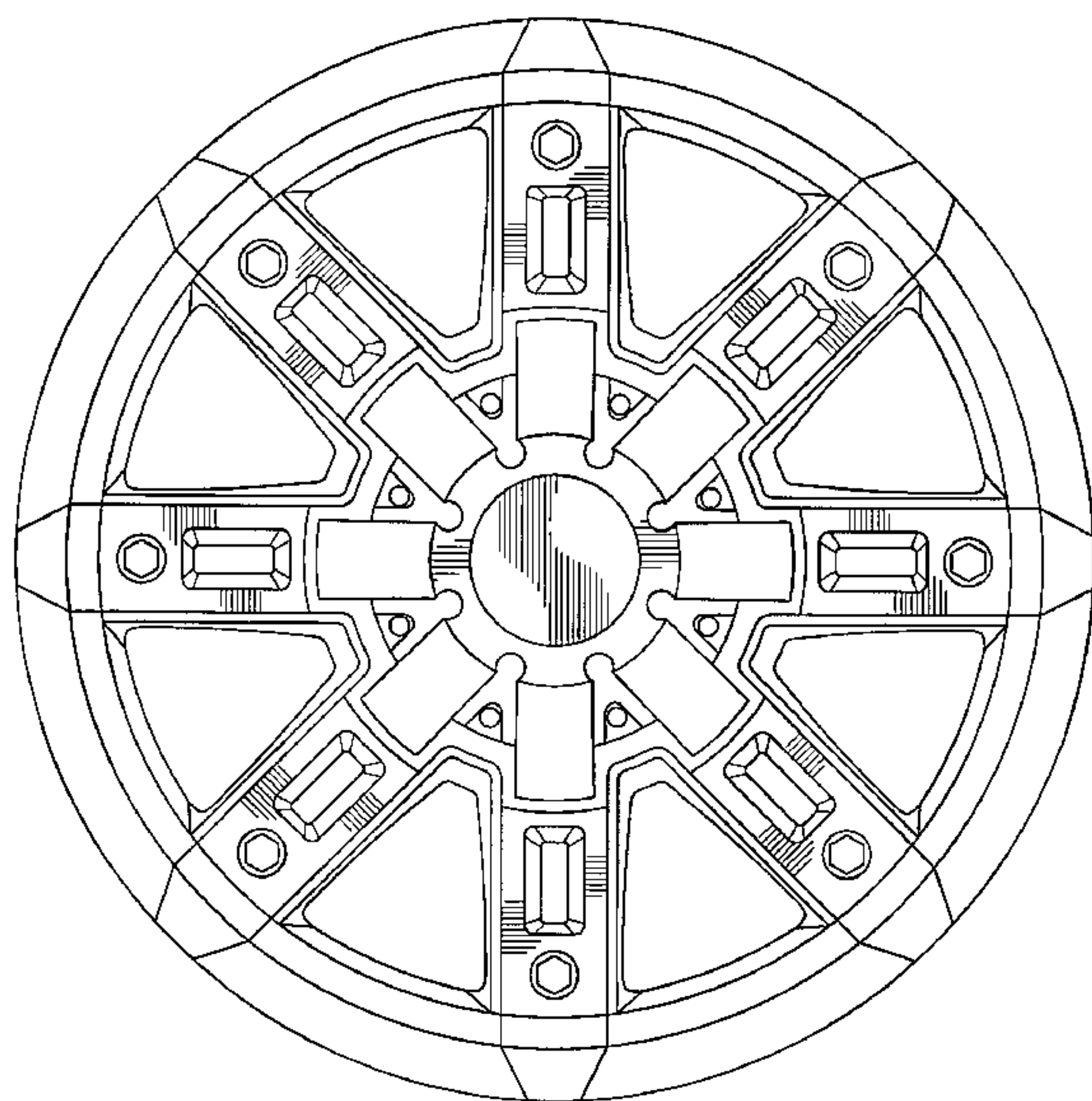
I claim the ornamental design for an automobile wheel, as shown and described.

**DESCRIPTION**

FIG. 1 is a front elevational view of an automobile wheel according to the claimed design; and, FIG. 2 is perspective view of an automobile wheel according to the claimed design.

The ornamental design which is claimed is shown in solid lines in the drawings. The broken lines in the drawings are for illustrative purposes only and form no part of the claimed design.

**1 Claim, 2 Drawing Sheets**



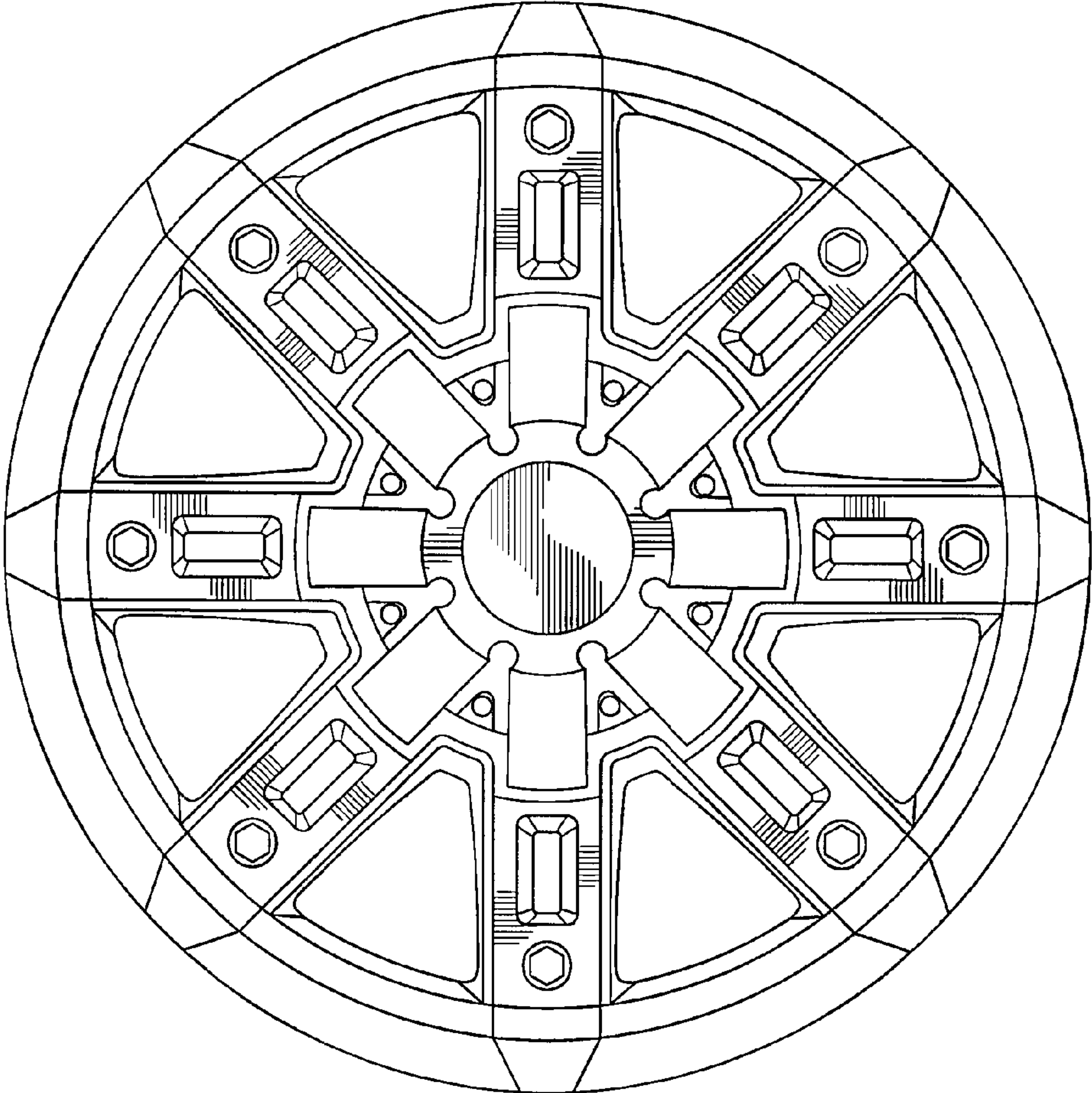


FIG. 1

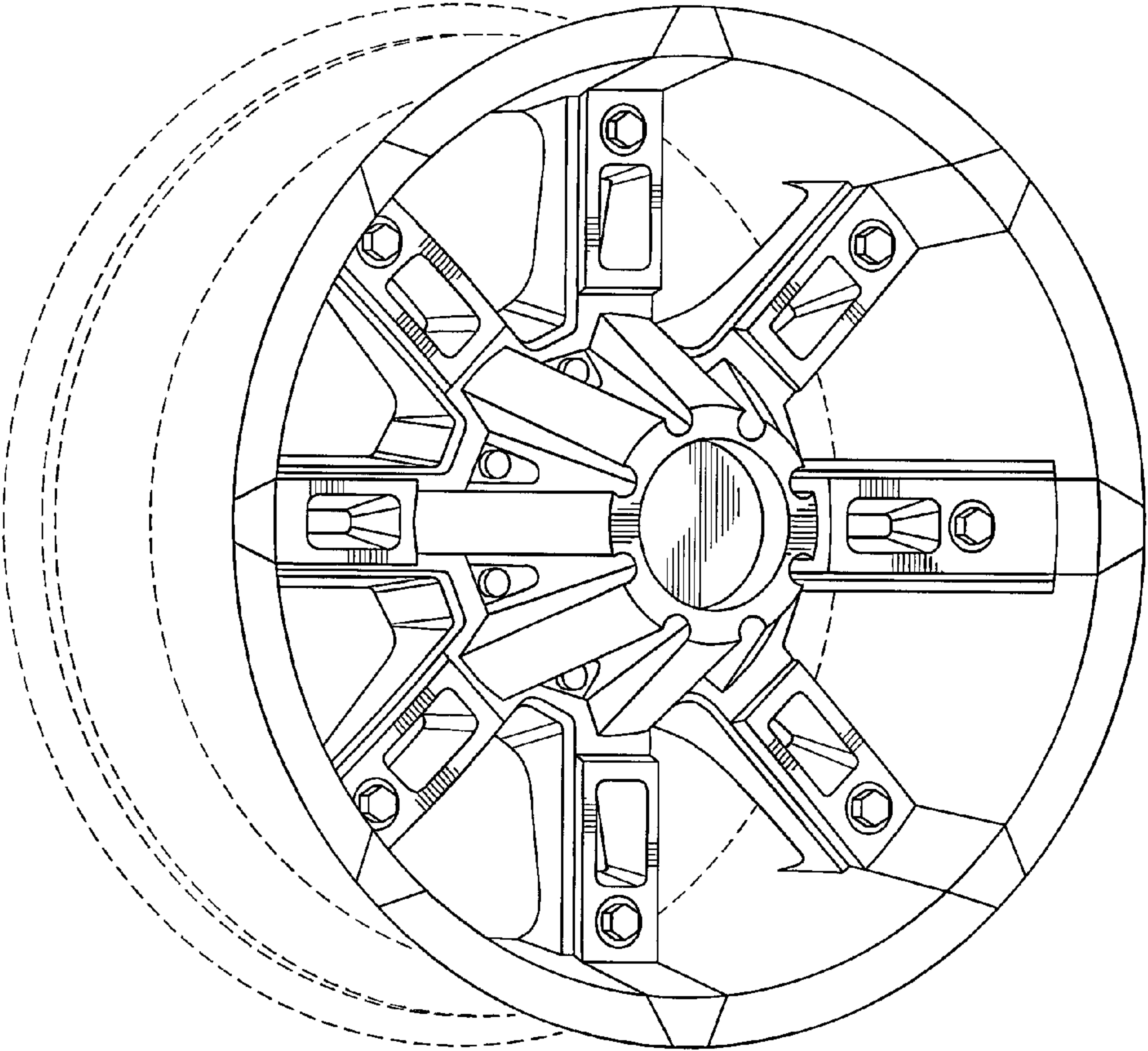


FIG. 2