



US00D695200S

(12) **United States Design Patent**
Zhao

(10) **Patent No.:** **US D695,200 S**

(45) **Date of Patent:** **** Dec. 10, 2013**

(54) **AUTOMOBILE WHEEL**

(71) Applicant: **John Zhao**, Monterey Park, CA (US)

(72) Inventor: **John Zhao**, Monterey Park, CA (US)

(73) Assignee: **Wah Hung Group Inc.**, Monterey Park, CA (US)

(**) Term: **14 Years**

(21) Appl. No.: **29/457,894**

(22) Filed: **Jun. 13, 2013**

(51) **LOC (9) Cl.** **12-16**

(52) **U.S. Cl.**
USPC **D12/211**

(58) **Field of Classification Search**
USPC D12/204-213; 301/37.101, 64.101, 65,
301/64.201

See application file for complete search history.

(56) **References Cited**

U.S. PATENT DOCUMENTS

D361,547 S * 8/1995 Weld D12/211
D391,215 S * 2/1998 Cervati D12/209
D451,876 S * 12/2001 Kohl D12/211

D482,308 S * 11/2003 Lee D12/211
D490,761 S * 6/2004 Kataoka D12/211
D526,264 S * 8/2006 Marji D12/209
D596,549 S * 7/2009 Varga D12/211
D625,236 S * 10/2010 Hildebrand et al. D12/209
D656,444 S * 3/2012 Lee D12/209
D666,960 S * 9/2012 Chung D12/211
D677,207 S * 3/2013 Gotschke D12/209
D678,163 S * 3/2013 Tirado D12/209
D678,164 S * 3/2013 Badstuebner D12/211

* cited by examiner

Primary Examiner — Stacia Cadmus

(74) *Attorney, Agent, or Firm* — Adli Law Group P.C.

(57) **CLAIM**

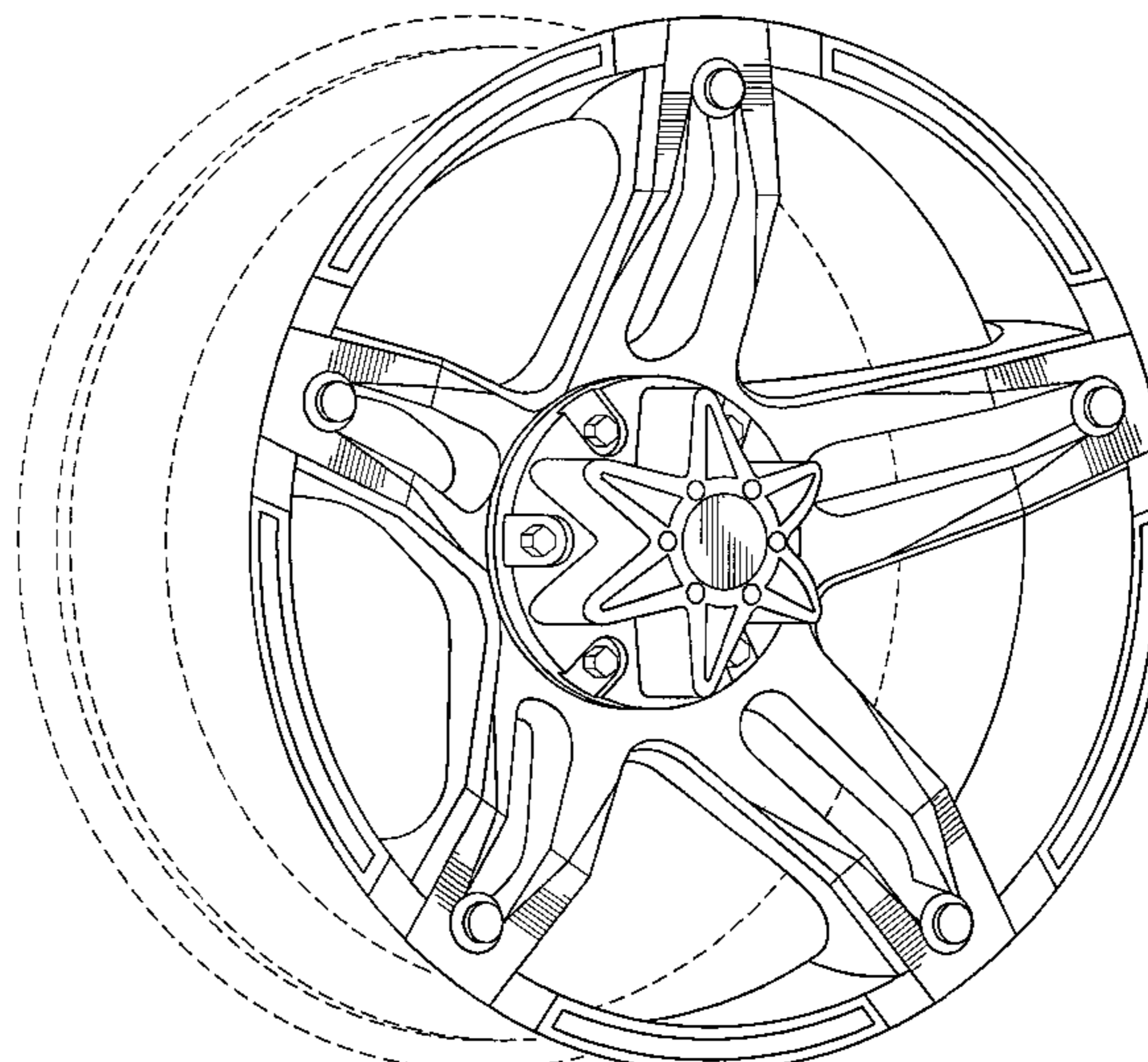
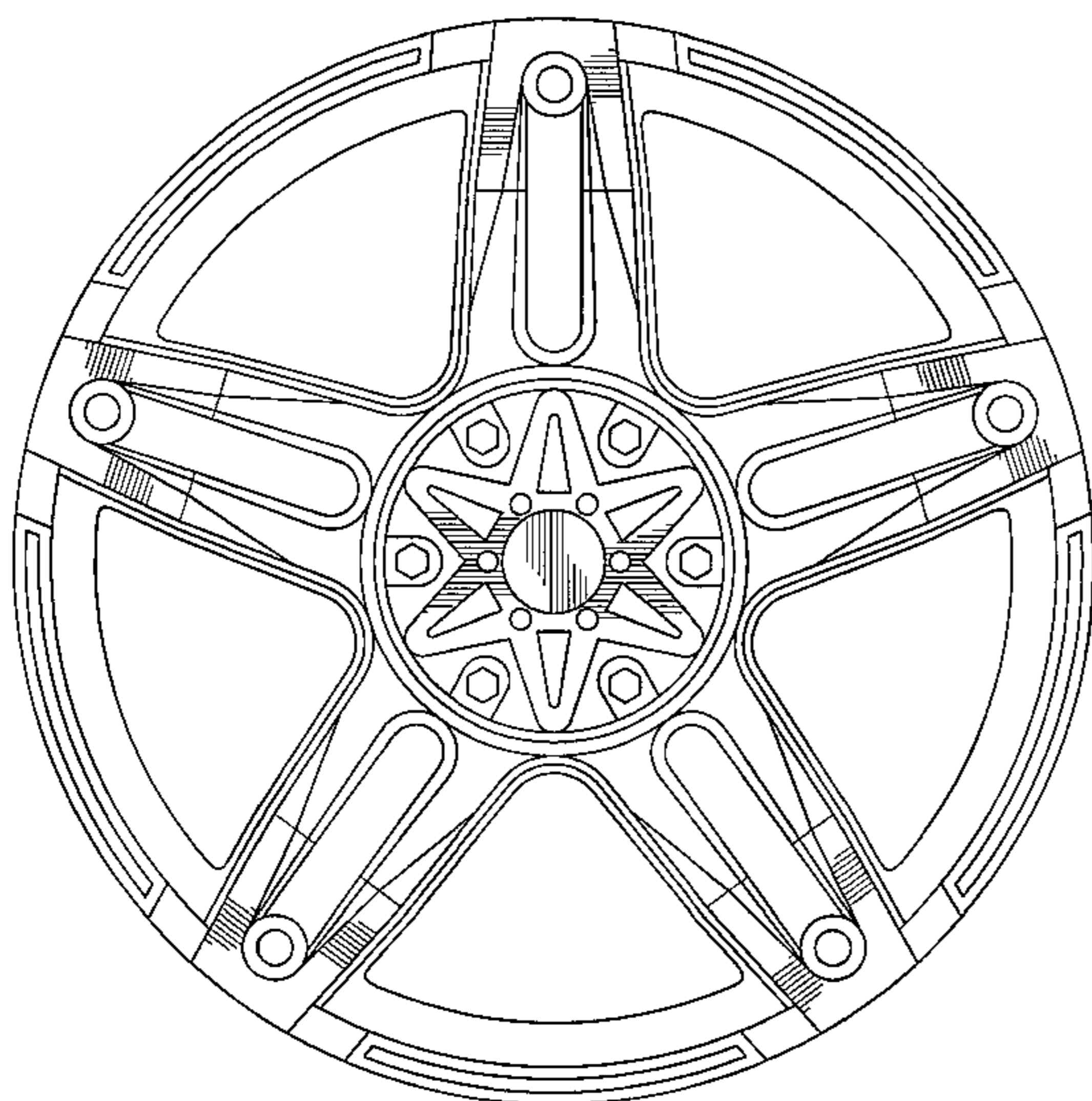
I claim the ornamental design for an automobile wheel, as shown and described.

DESCRIPTION

FIG. 1 is a front elevational view of an automobile wheel according to the claimed design; and, FIG. 2 is perspective view of an automobile wheel according to the claimed design.

The ornamental design which is claimed is shown in solid lines in the drawings. The broken lines in the drawings are for illustrative purposes only and form no part of the claimed design.

1 Claim, 2 Drawing Sheets



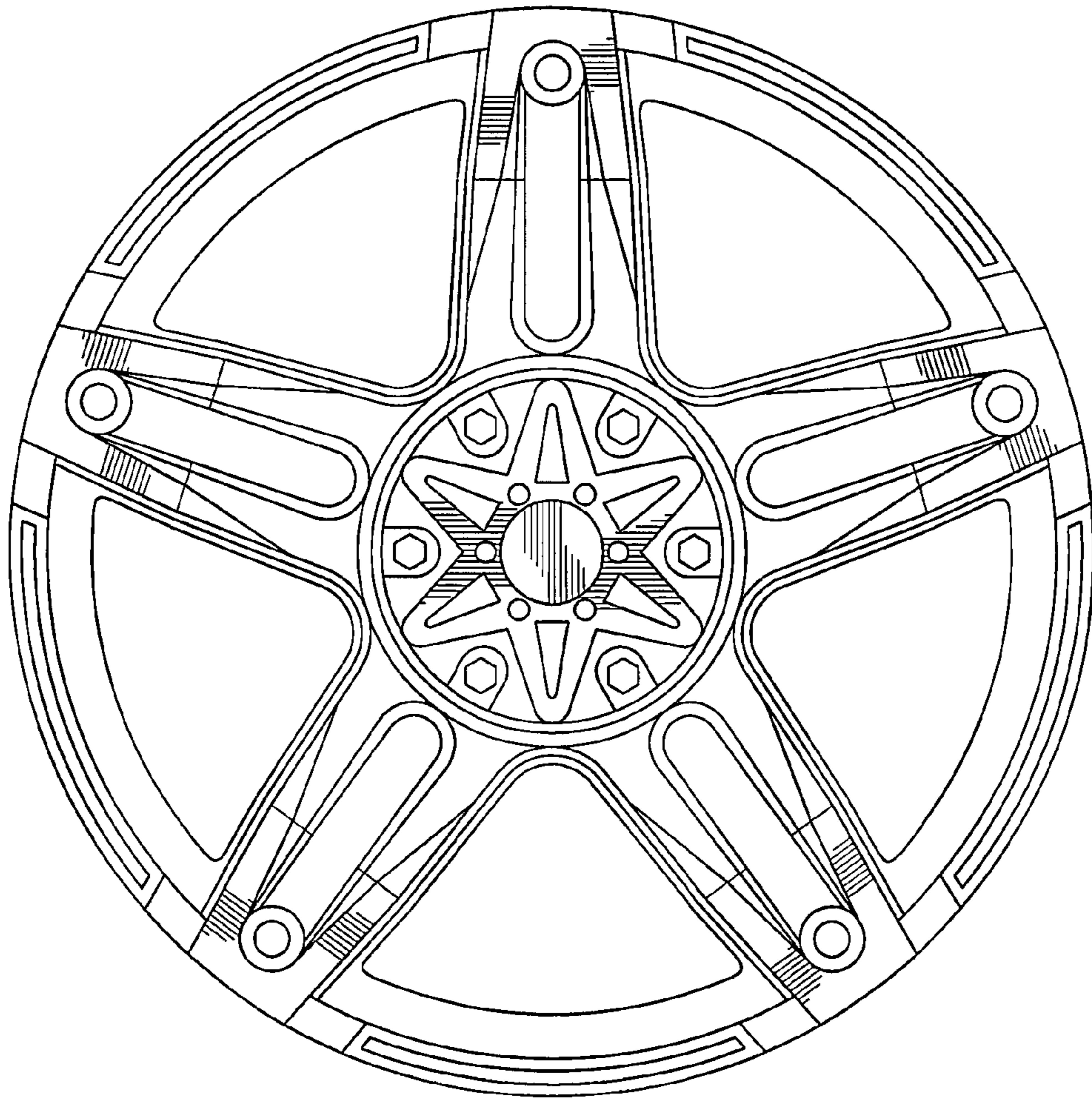


FIG. 1

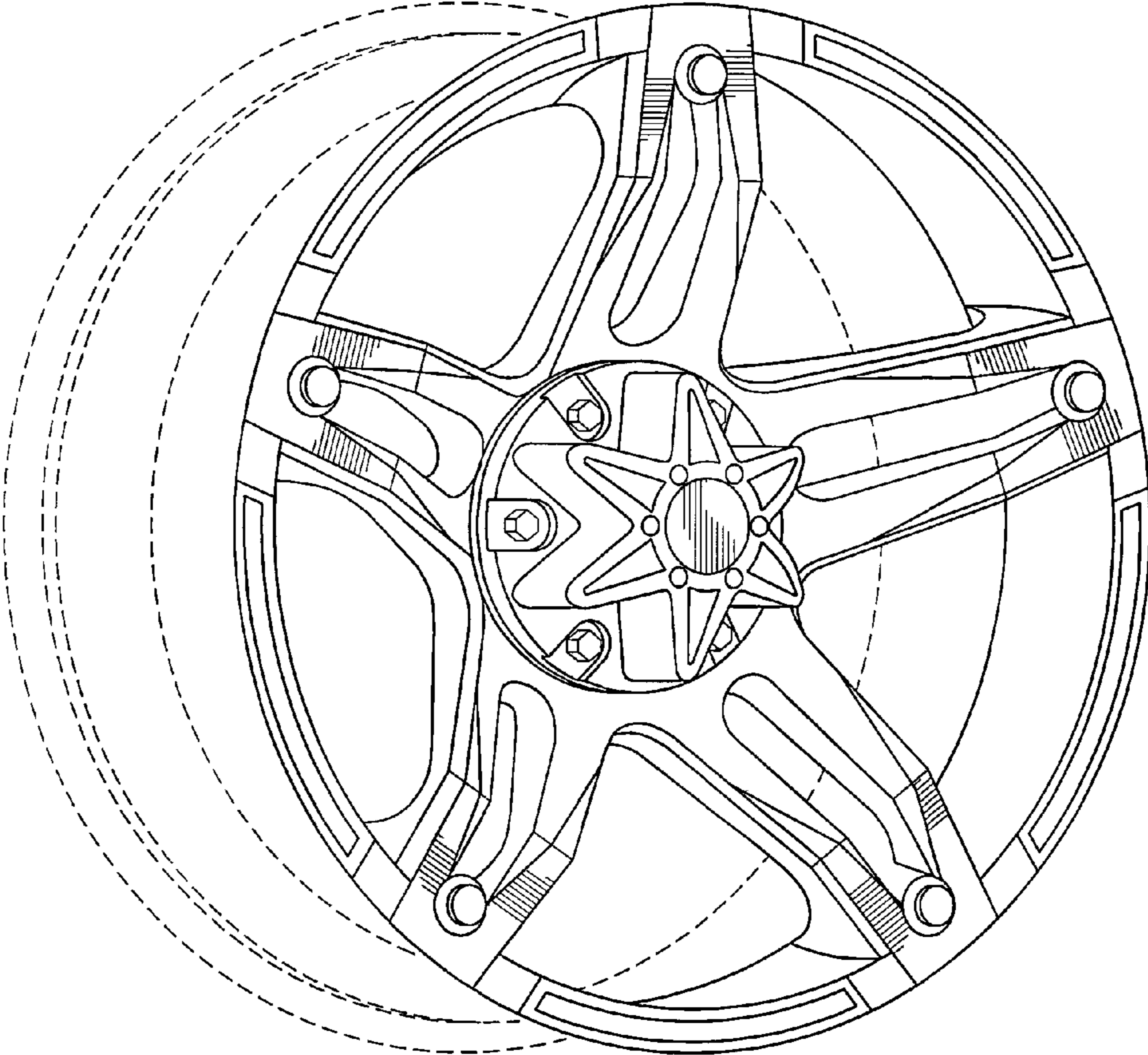


FIG. 2