



US00D695197S

(12) **United States Design Patent**
Jallad

(10) **Patent No.:** **US D695,197 S**

(45) **Date of Patent:** **** *Dec. 10, 2013**

(54) **WHEEL**

(71) Applicant: **Allaeddin Jallad**, Arlington, TX (US)

(72) Inventor: **Allaeddin Jallad**, Arlington, TX (US)

(*) Notice: This patent is subject to a terminal disclaimer.

(**) Term: **14 Years**

(21) Appl. No.: **29/440,498**

(22) Filed: **Dec. 21, 2012**

(51) **LOC (9) Cl.** **12-16**

(52) **U.S. Cl.**
USPC **D12/211**

(58) **Field of Classification Search**
USPC D12/204-213; 301/37.101, 64.101, 65,
301/64.201

See application file for complete search history.

(56) **References Cited**

U.S. PATENT DOCUMENTS

D474,440 S * 5/2003 Oh D12/211
D480,036 S * 9/2003 Laengerer D12/211

D506,172 S * 6/2005 Pfeiffer D12/211
D516,990 S * 3/2006 Schweizer D12/211
D546,263 S * 7/2007 Hernandez D12/211
D570,276 S * 6/2008 Chung D12/211
D592,119 S * 5/2009 Heizmann D12/211
D596,549 S * 7/2009 Varga D12/211
D620,418 S * 7/2010 Borkert D12/209
D636,716 S * 4/2011 Ettensberger D12/211
D643,794 S * 8/2011 Elmitt D12/211
D649,104 S * 11/2011 Gallert D12/211
D656,879 S * 4/2012 Gallert D12/211
D659,069 S * 5/2012 Johnson D12/211

* cited by examiner

Primary Examiner — Stacia Cadmus

(74) *Attorney, Agent, or Firm* — Cotman IP Law Group, PLC

(57) **CLAIM**

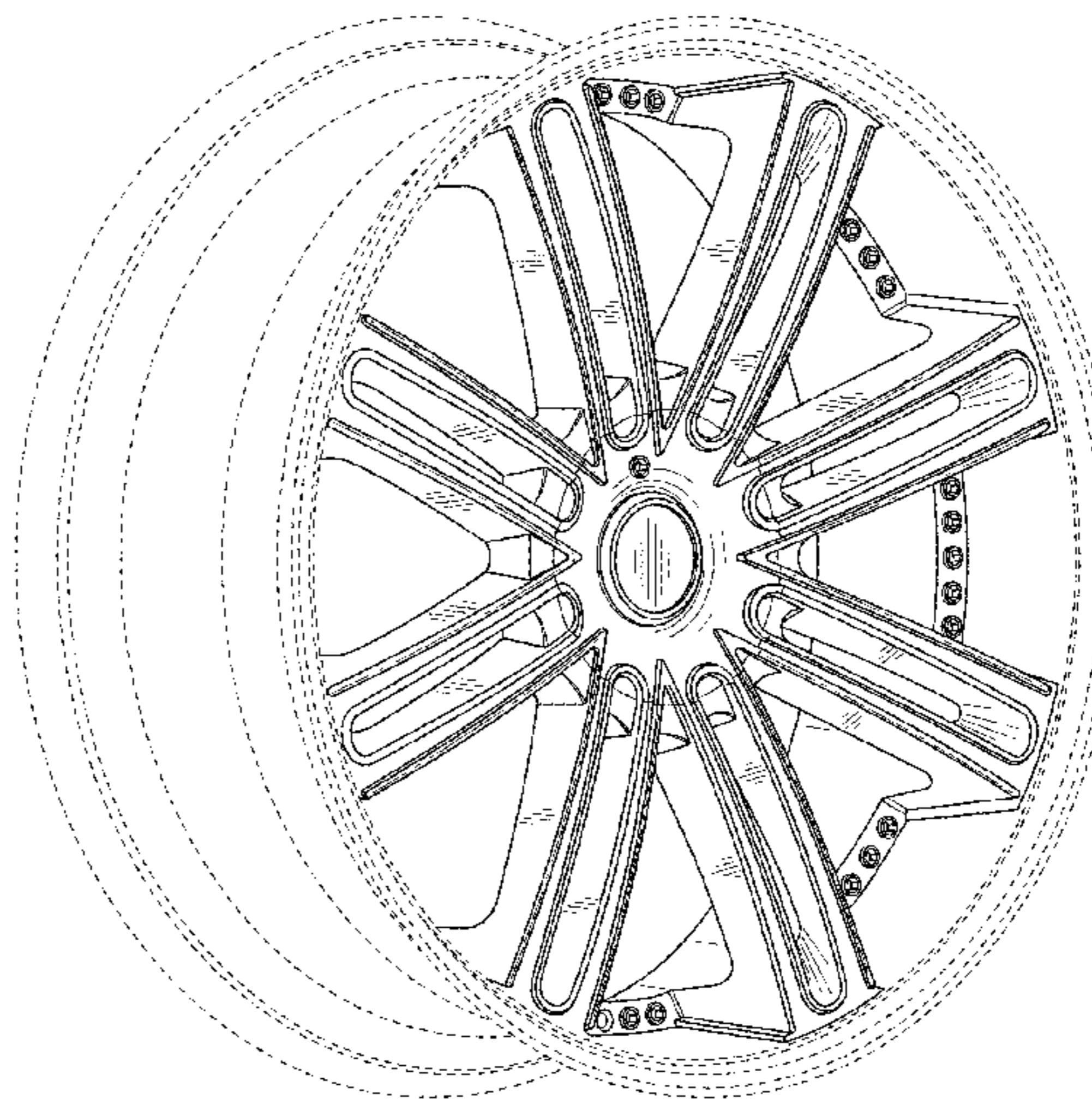
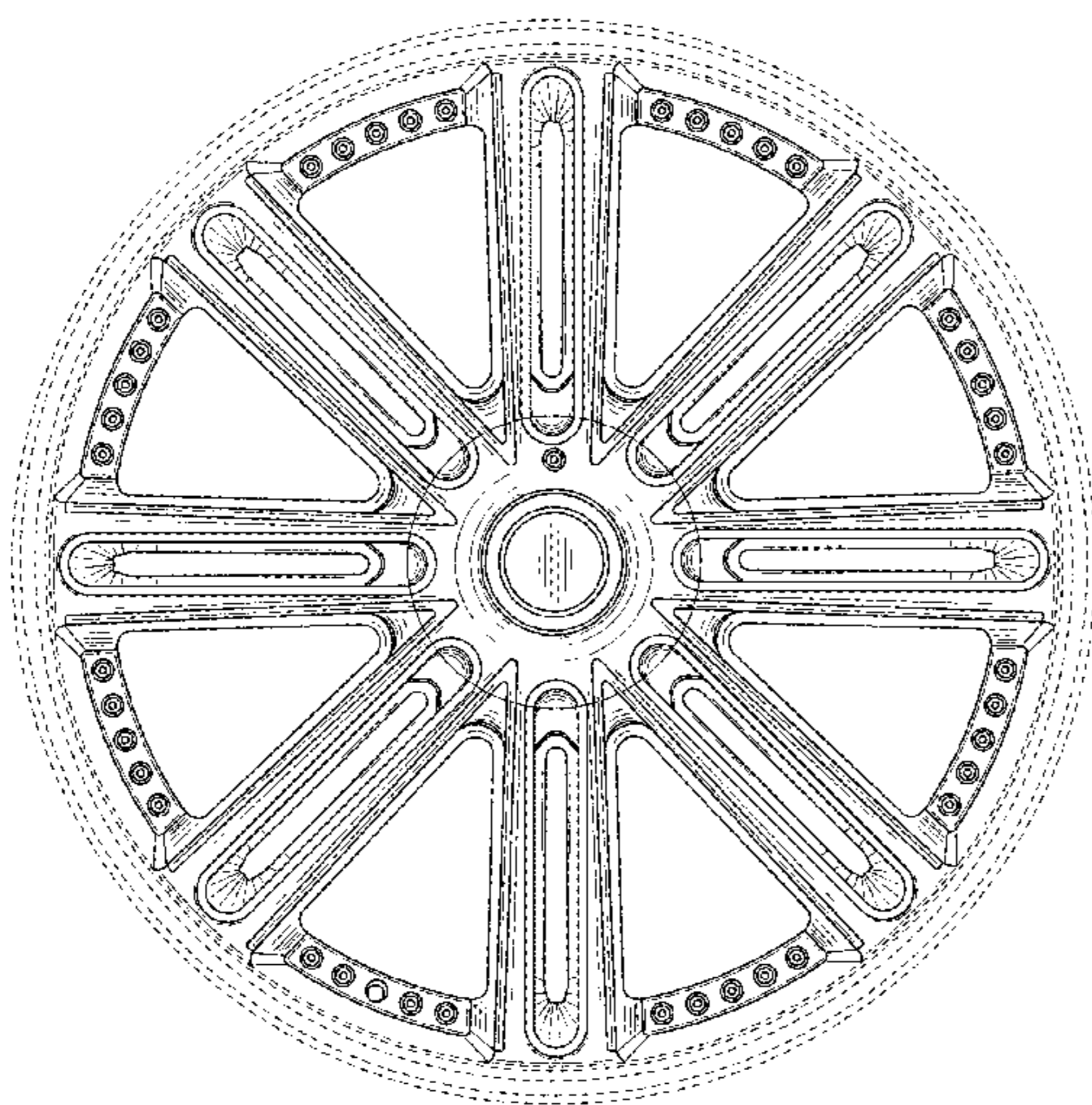
The ornamental design for a wheel, as shown and described.

DESCRIPTION

FIG. 1 is a front view of a wheel showing my new design; and, FIG. 2 is a perspective view thereof.

The broken lines showing of rim section of the wheel is for the purpose of illustrating enviromental structure and forms no part of the claimed design.

1 Claim, 2 Drawing Sheets



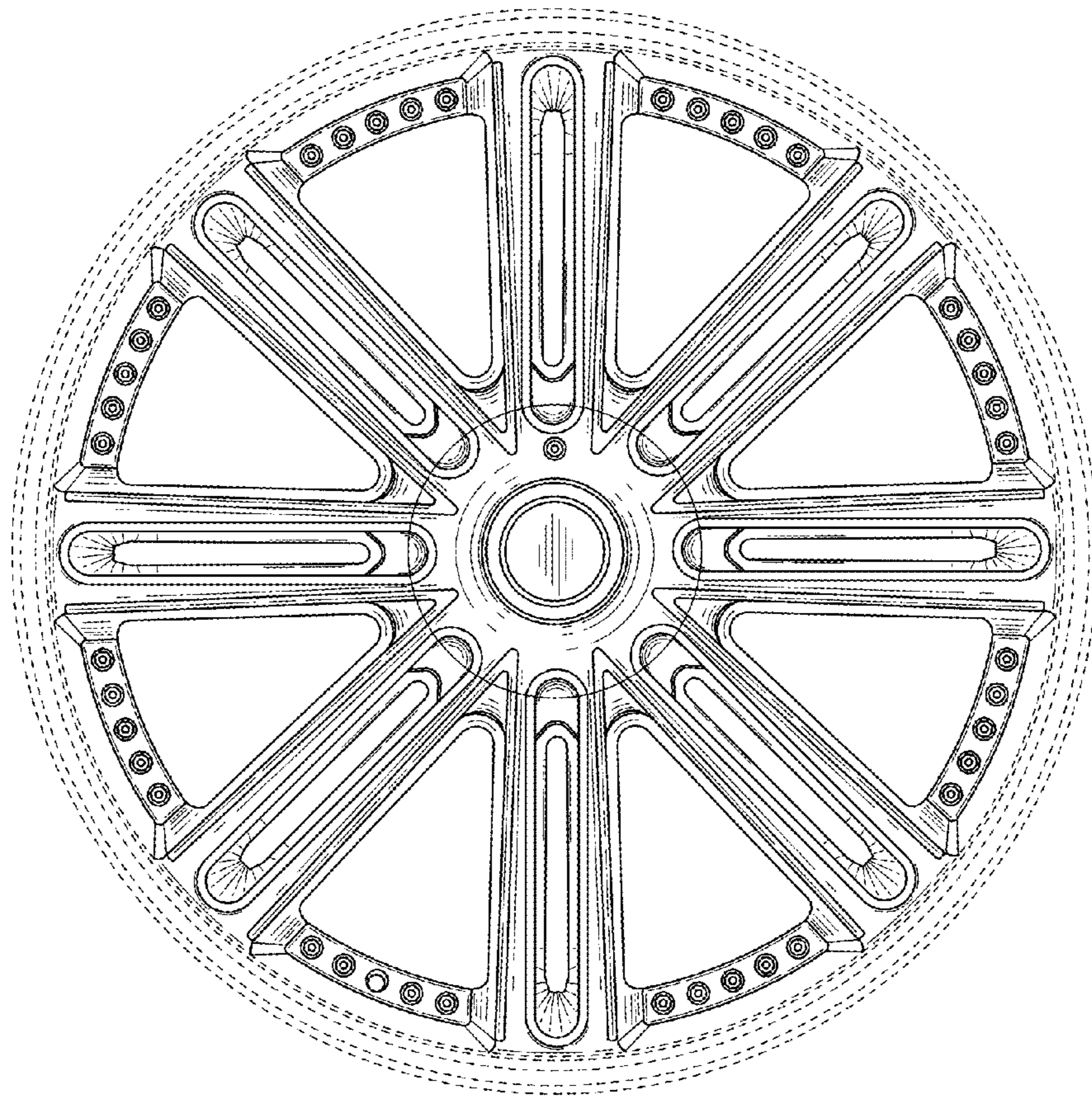


FIGURE 1

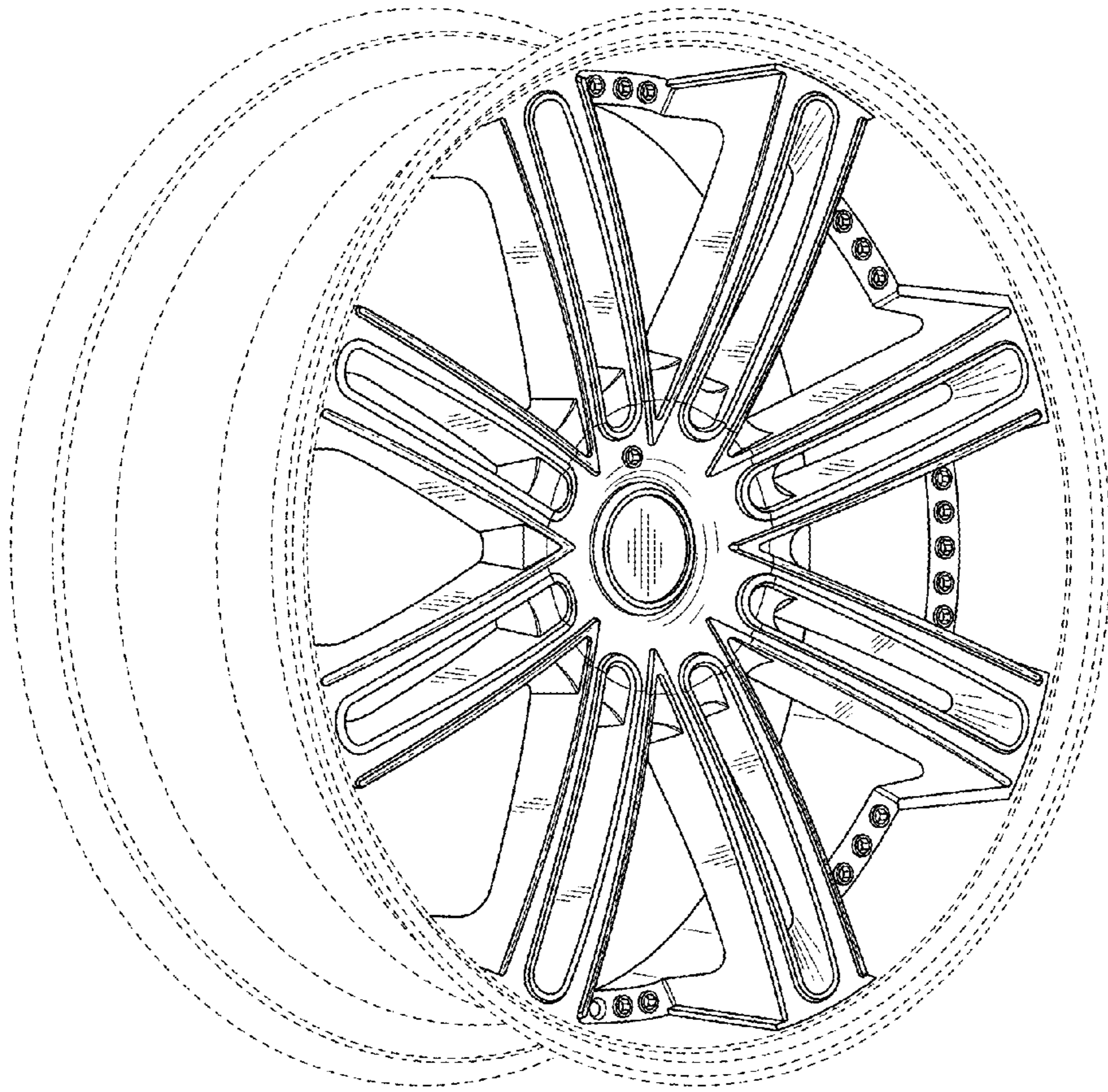


FIGURE 2