



US00D695196S

(12) **United States Design Patent**  
**Zane**

(10) **Patent No.:** **US D695,196 S**

(45) **Date of Patent:** **\*\* Dec. 10, 2013**

(54) **WHEEL**

(71) Applicant: **Wheel Pros, LLC**, Lakewood, CO (US)

(72) Inventor: **David G. Zane**, Las Vegas, NV (US)

(73) Assignee: **Wheel Pros, LLC**, Greenwood Village, CO (US)

(\*\*) Term: **14 Years**

(21) Appl. No.: **29/439,789**

(22) Filed: **Dec. 14, 2012**

**Related U.S. Application Data**

(62) Division of application No. 29/435,797, filed on Oct. 29, 2012.

(51) **LOC (9) Cl.** ..... **12-16**

(52) **U.S. Cl.**  
USPC ..... **D12/211**

(58) **Field of Classification Search**  
USPC ..... D12/204-213; 301/37.101, 64.101, 65,  
301/64.201

See application file for complete search history.

(56) **References Cited**

U.S. PATENT DOCUMENTS

D617,250 S *	6/2010	Zhao	.....	D12/211
D626,489 S *	11/2010	Laengerer	.....	D12/211
D637,947 S *	5/2011	Zhao	.....	D12/211
D655,235 S *	3/2012	Zhao	.....	D12/211
D657,297 S *	4/2012	Johnson	.....	D12/211
D657,728 S *	4/2012	Johnson	.....	D12/211
D659,069 S *	5/2012	Johnson	.....	D12/211
D680,939 S *	4/2013	Zhao	.....	D12/211
D681,541 S *	5/2013	Kern	.....	D12/211
D682,769 S *	5/2013	Zhao	.....	D12/211
D684,915 S *	6/2013	Zhao	.....	D12/211

\* cited by examiner

*Primary Examiner* — Stacia Cadmus

(74) *Attorney, Agent, or Firm* — Garcia-Zamor IP Law; Ruy M. Garcia-Zamor

(57) **CLAIM**

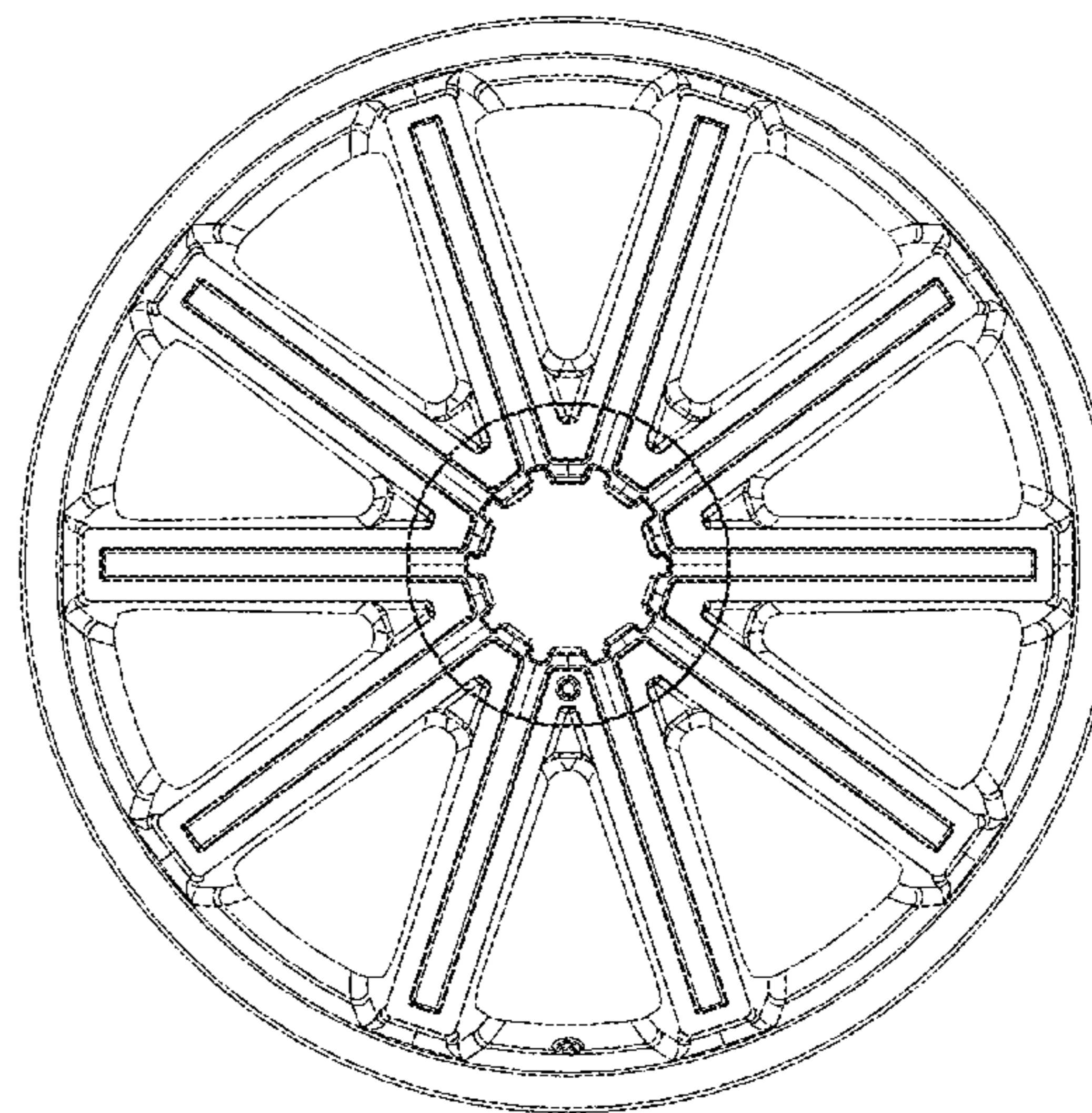
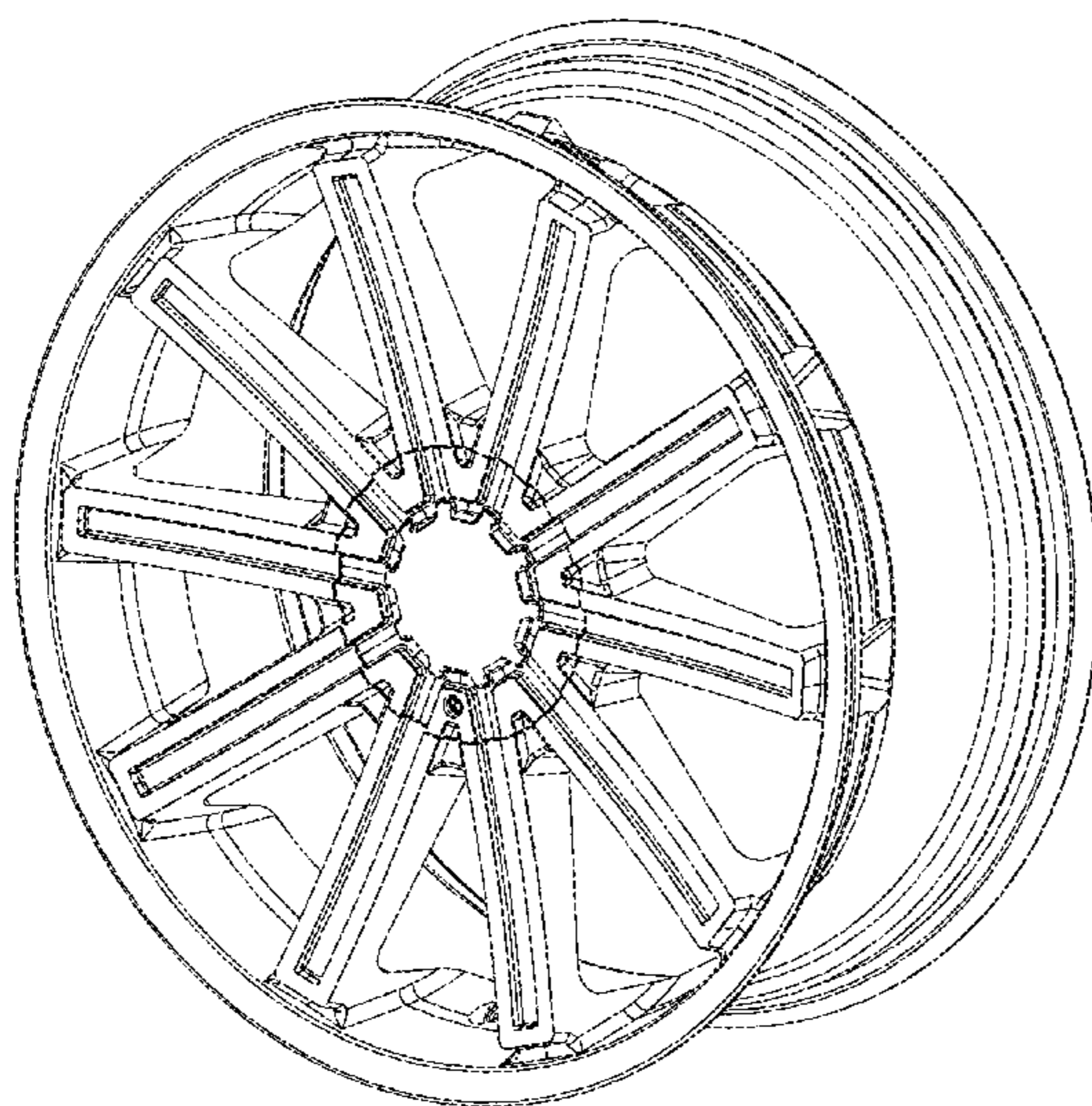
The ornamental design for a wheel, as shown and described.

**DESCRIPTION**

FIG. 1 is a perspective view of a wheel, showing my new design; and,

FIG. 2 is a front view thereof.

**1 Claim, 2 Drawing Sheets**



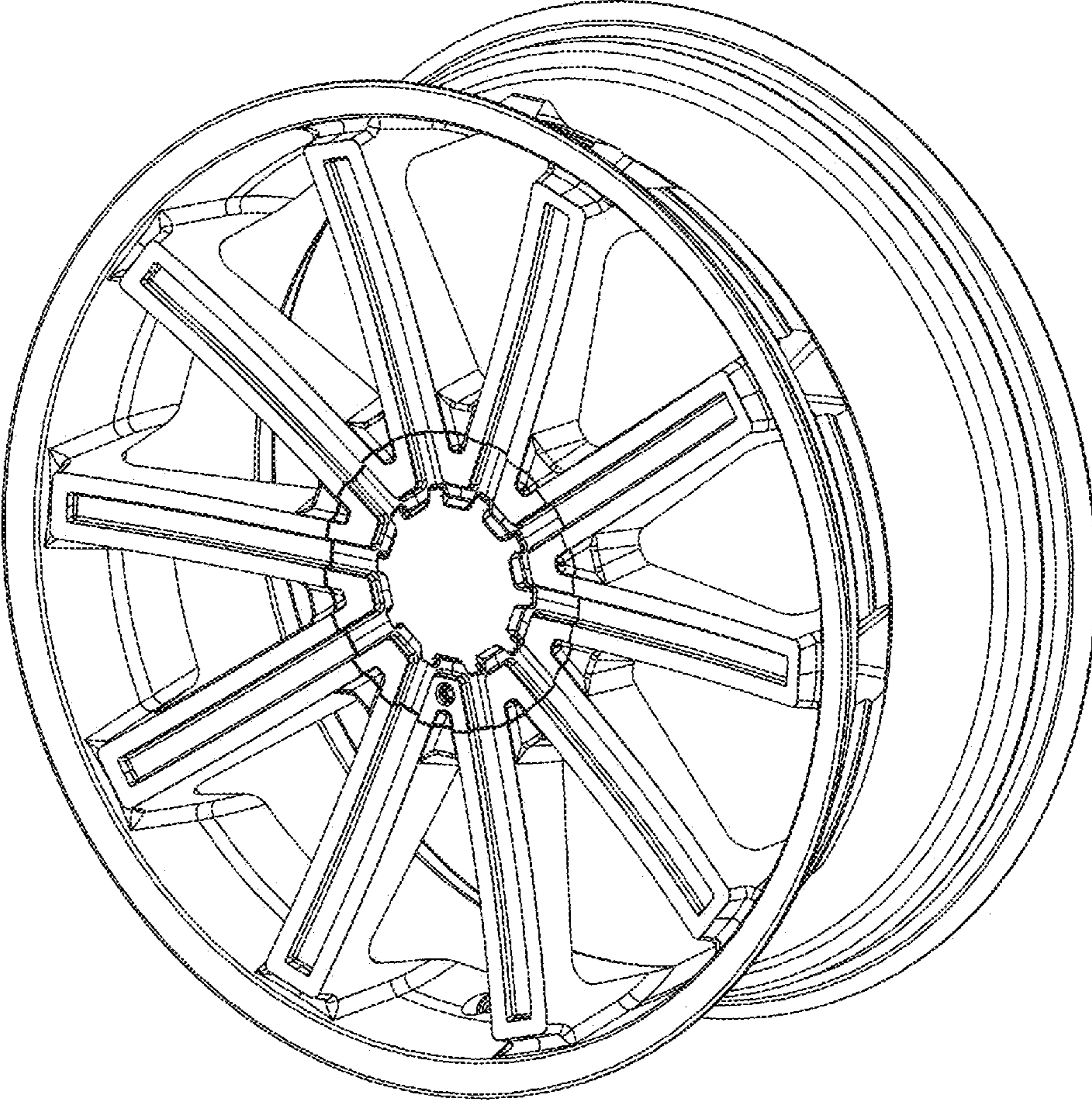


Fig. 1

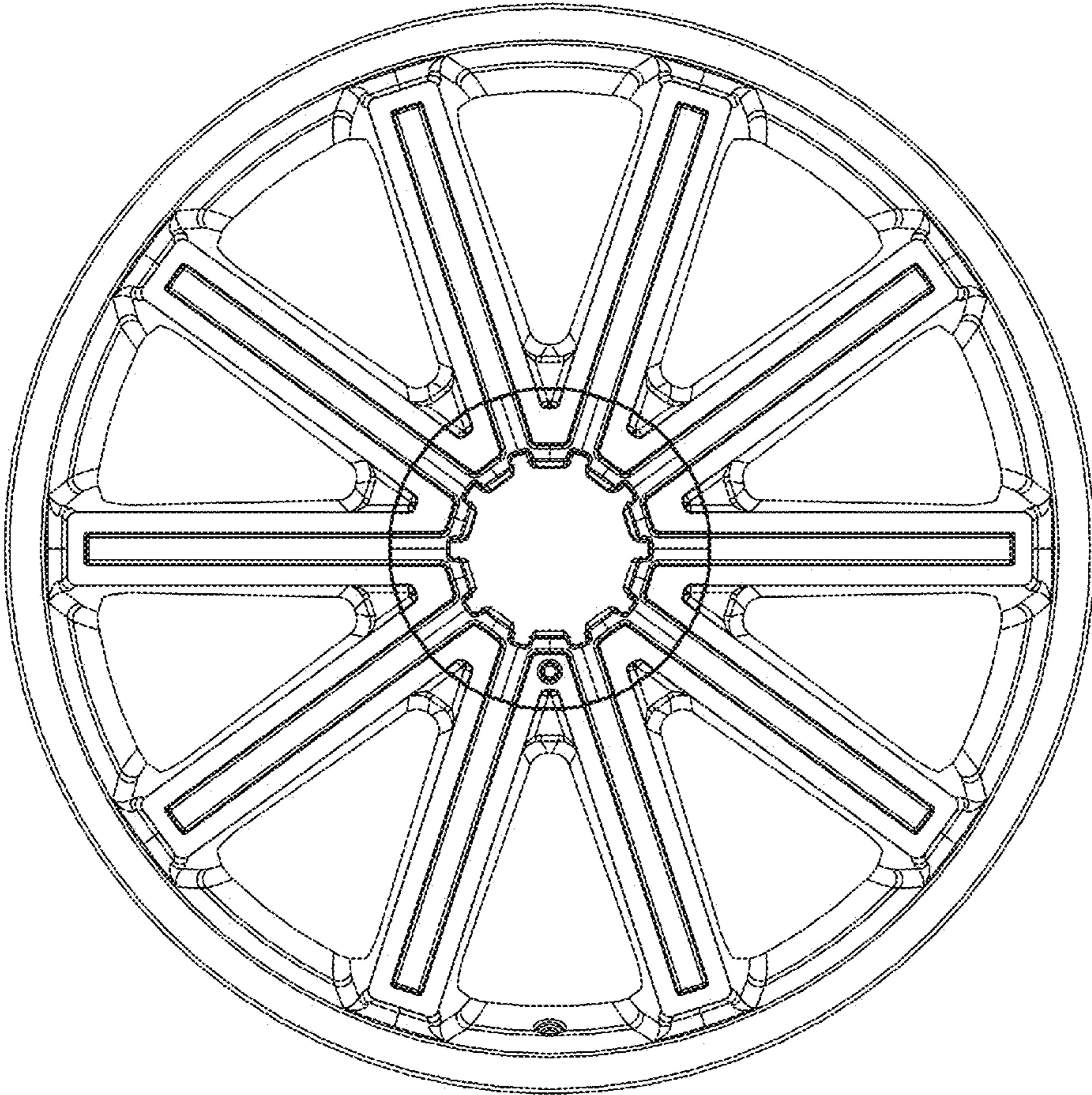


Fig. 2