



US00D695192S

(12) **United States Design Patent**
Zhao

(10) **Patent No.:** **US D695,192 S**

(45) **Date of Patent:** **** Dec. 10, 2013**

(54) **AUTOMOBILE WHEEL**

(71) Applicant: **John Zhao**, Monterey Park, CA (US)

(72) Inventor: **John Zhao**, Monterey Park, CA (US)

(73) Assignee: **Wah Hung Group Inc.**, Monterey Park, CA (US)

(**) Term: **14 Years**

(21) Appl. No.: **29/457,893**

(22) Filed: **Jun. 13, 2013**

(51) **LOC (9) Cl.** **12-16**

(52) **U.S. Cl.**
USPC **D12/210**

(58) **Field of Classification Search**
USPC D12/204-213; 301/37.101, 64.101, 65,
301/64.201
See application file for complete search history.

(56) **References Cited**

U.S. PATENT DOCUMENTS

D340,438 S * 10/1993 Sheeler D12/209
D436,910 S * 1/2001 Hale, Jr. D12/210

D555,064 S * 11/2007 Danbom D12/204
D572,648 S * 7/2008 Musser D12/210
D581,338 S * 11/2008 Imai D12/209
D624,477 S * 9/2010 McMath D12/210

* cited by examiner

Primary Examiner — Stacia Cadmus

(74) *Attorney, Agent, or Firm* — Adli Law Group P.C.

(57) **CLAIM**

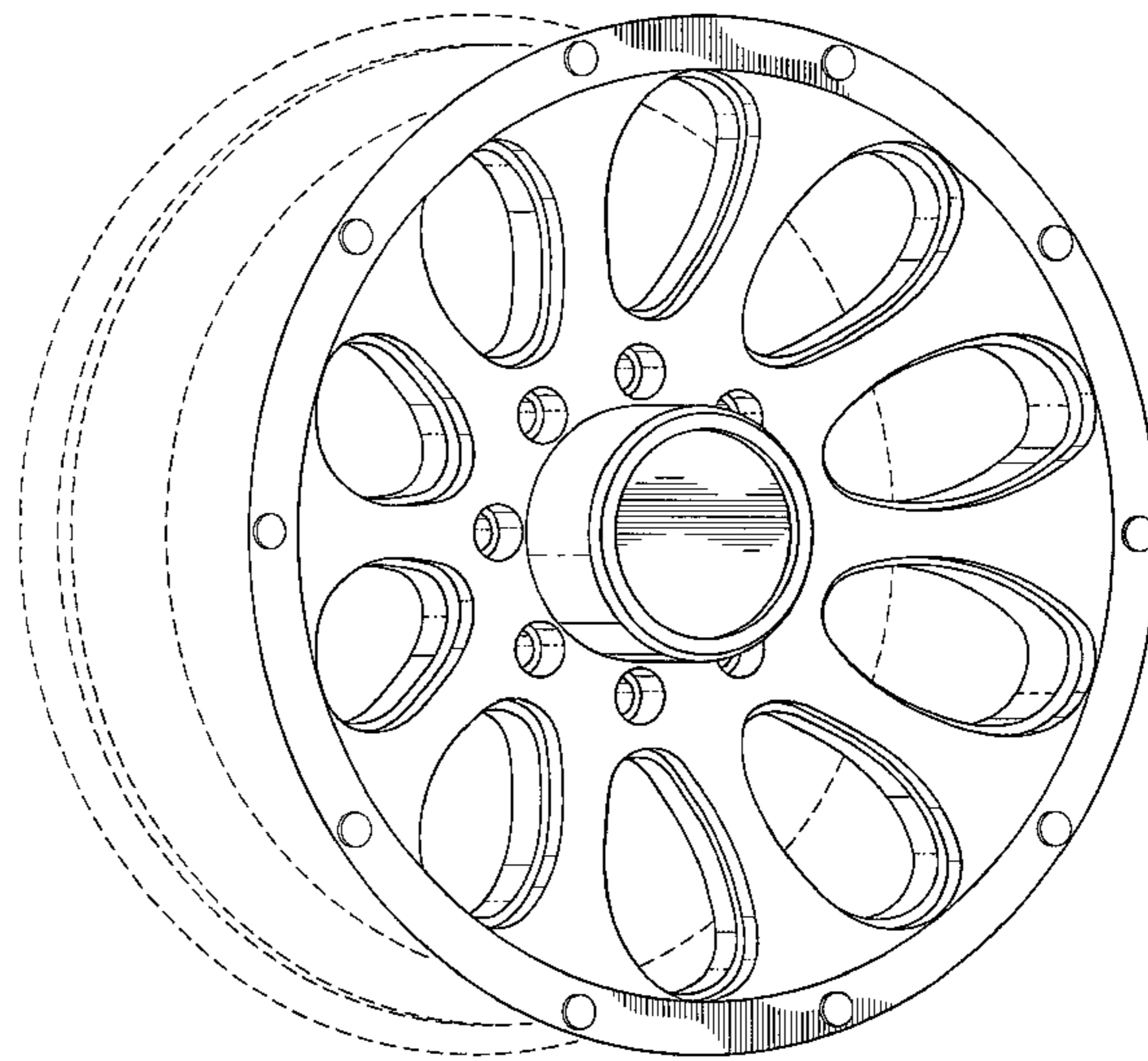
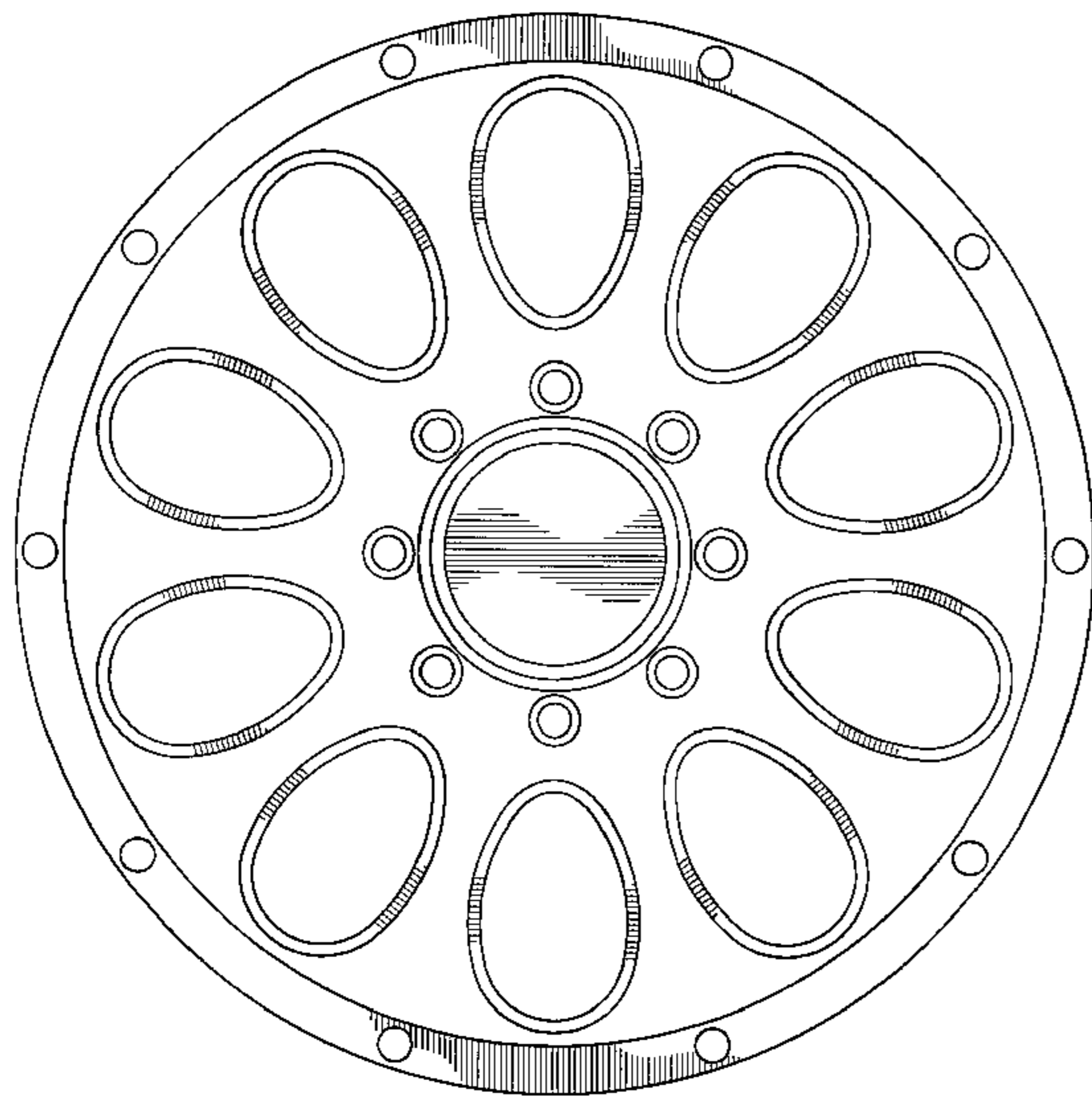
I claim the ornamental design for an automobile wheel, as shown and described.

DESCRIPTION

FIG. 1 is a front elevational view of an automobile wheel according to the claimed design; and, FIG. 2 is perspective view of an automobile wheel according to the claimed design.

The ornamental design which is claimed is shown in solid lines in the drawings. The broken lines in the drawings are for illustrative purposes only and form no part of the claimed design.

1 Claim, 2 Drawing Sheets



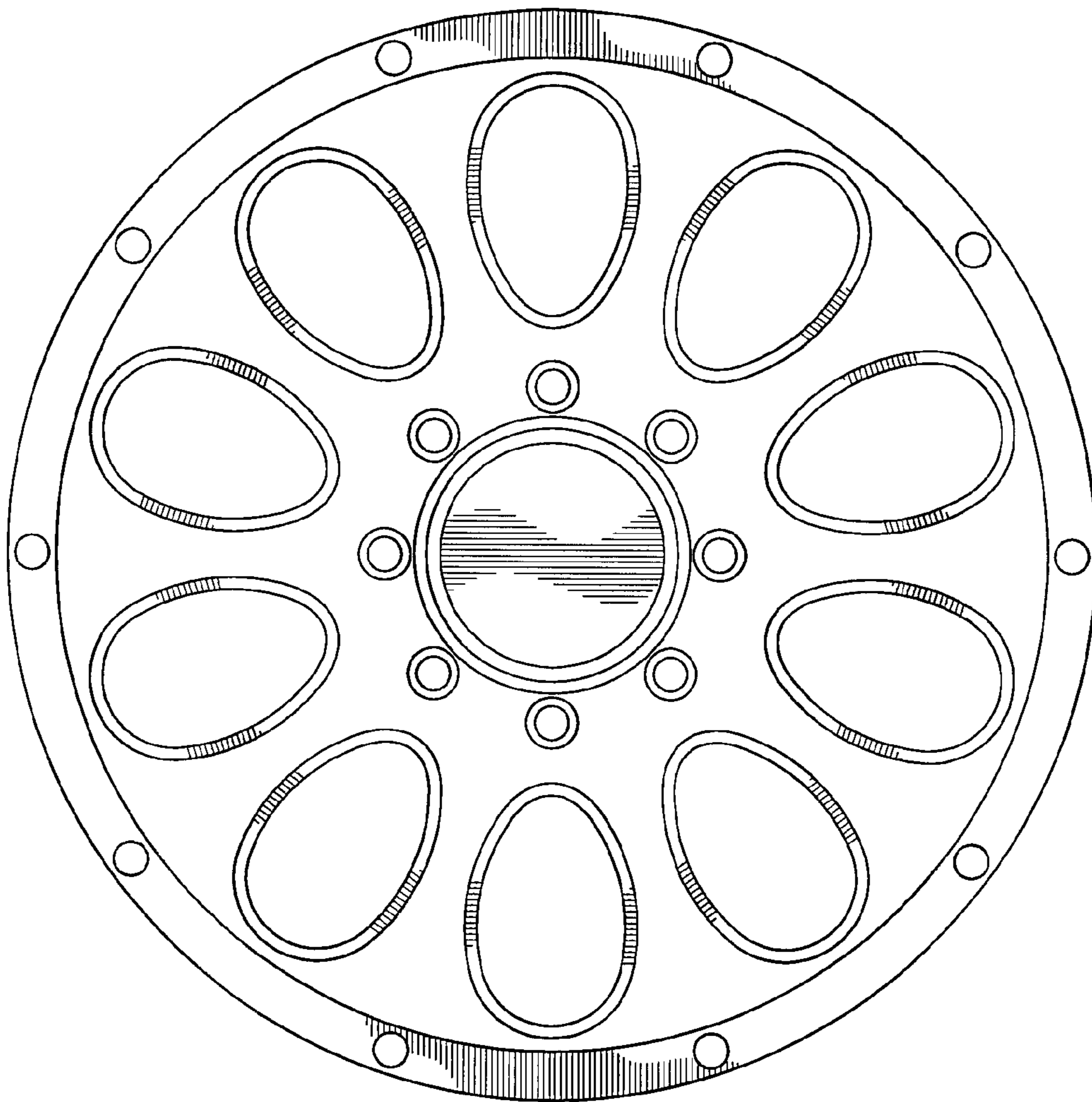


FIG. 1

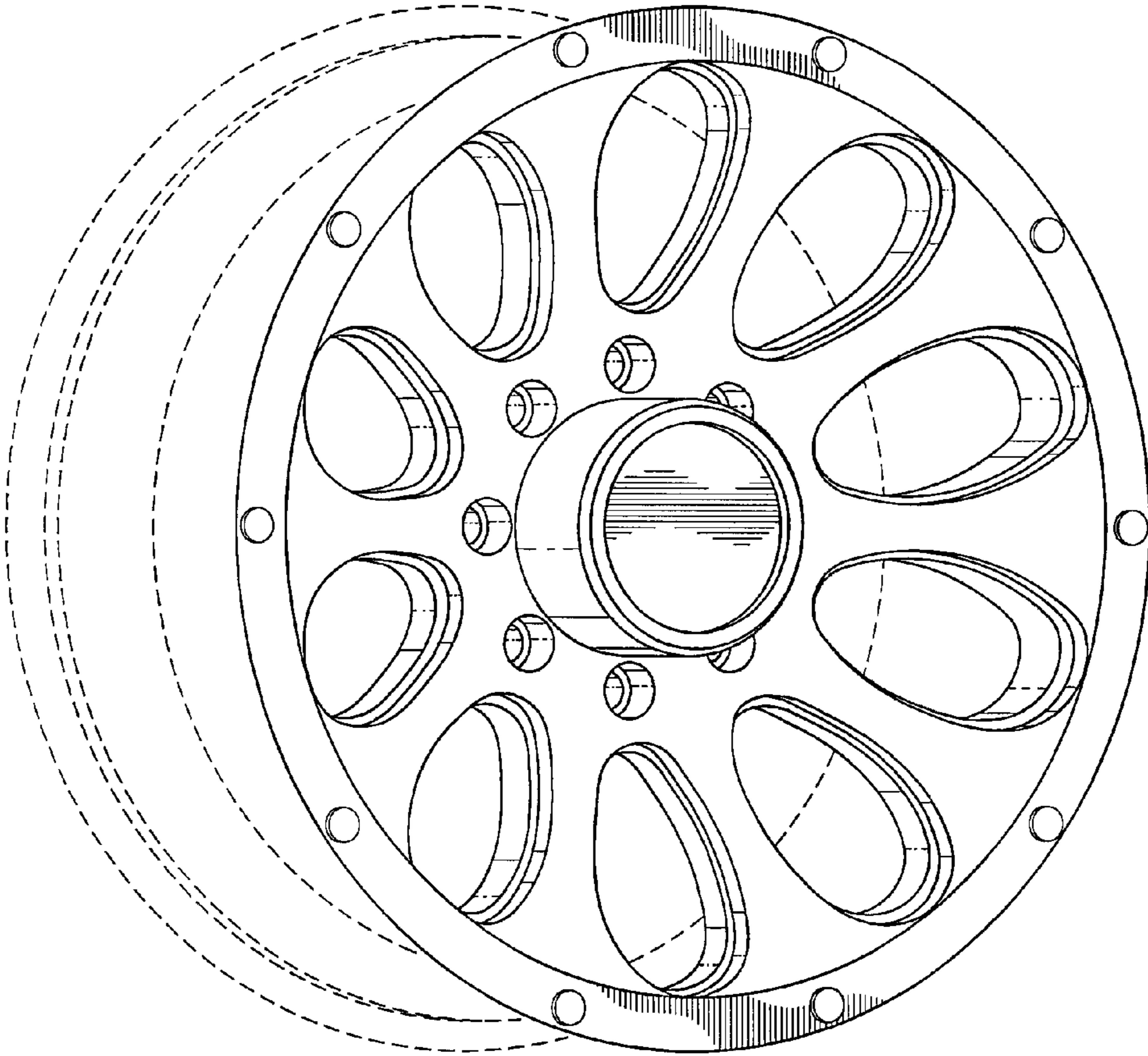


FIG. 2