



US00D695191S

(12) **United States Design Patent**
Kogawa

(10) **Patent No.:** **US D695,191 S**

(45) **Date of Patent:** **** Dec. 10, 2013**

(54) **WHEEL FOR AUTOMOBILE**

(71) Applicant: **Honda Motor Co., Ltd**, Tokyo (JP)

(72) Inventor: **Junichiro Kogawa**, Niiza (JP)

(73) Assignee: **Honda Motor Co., Ltd**, Tokyo (JP)

(**) Term: **14 Years**

(21) Appl. No.: **29/459,030**

(22) Filed: **Jun. 25, 2013**

(30) **Foreign Application Priority Data**

Dec. 28, 2012 (JP) 2012-032044

(51) **LOC (9) Cl.** **12-16**

(52) **U.S. Cl.**
USPC **D12/209**

(58) **Field of Classification Search**
USPC D12/204–213; 301/37.101, 64.101, 65,
301/64.201

See application file for complete search history.

(56) **References Cited**

U.S. PATENT DOCUMENTS

D409,546 S *	5/1999	Stark	D12/209
D504,096 S *	4/2005	Nakagawa et al.	D12/209
D581,852 S *	12/2008	Scheu	D12/211
D619,524 S *	7/2010	Gabath	D12/209
D654,842 S *	2/2012	Blasi	D12/209
D663,248 S *	7/2012	Kogawa	D12/209
D671,877 S *	12/2012	Roura	D12/209
D673,097 S *	12/2012	Lemke	D12/209
D682,176 S *	5/2013	Badstuebner	D12/209
D685,710 S *	7/2013	Hanaoka	D12/209

* cited by examiner

Primary Examiner — Stacia Cadmus

(74) *Attorney, Agent, or Firm* — Westerman, Hattori,
Daniels & Adrian, LLP

(57) **CLAIM**

The ornamental design for a wheel for automobile, as shown and described.

DESCRIPTION

FIG. 1 is a perspective view from the front side of a wheel for automobile; and,

FIG. 2 is a front elevation view thereof.

The portions of the wheel shown in broken lines are for the purpose of showing environmental structure only and form no part of the claimed design.

1 Claim, 2 Drawing Sheets

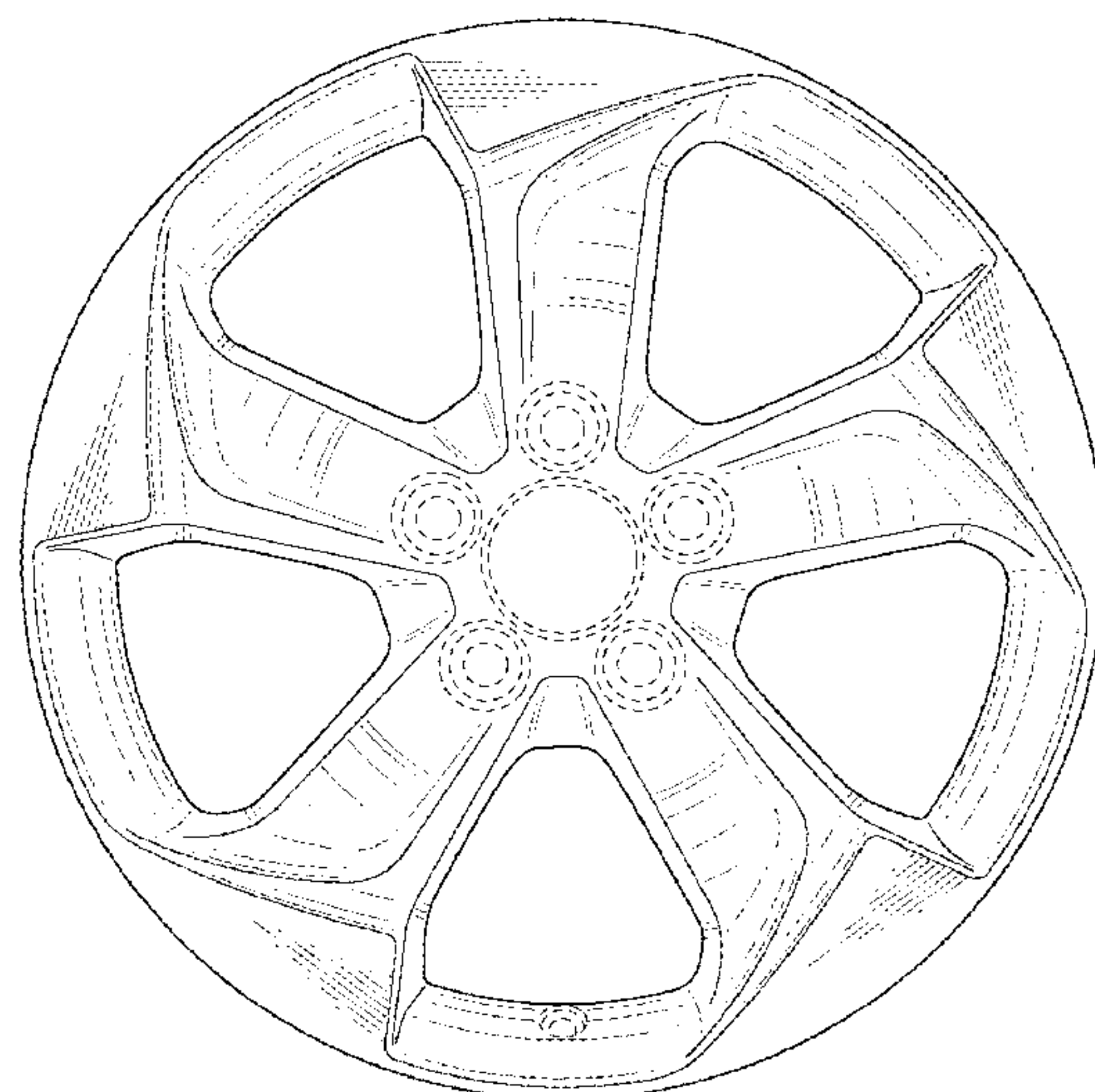
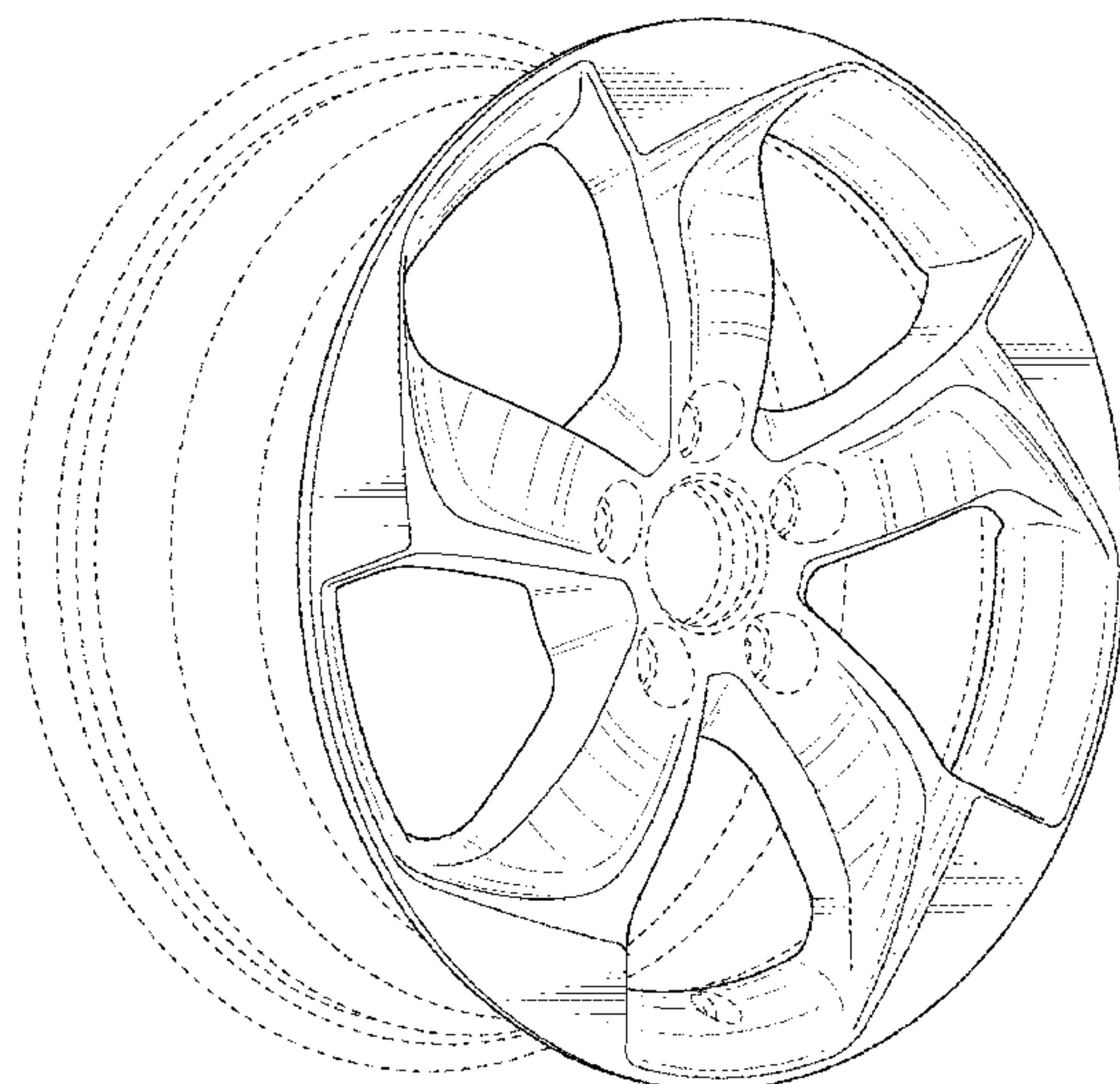


FIG. 1

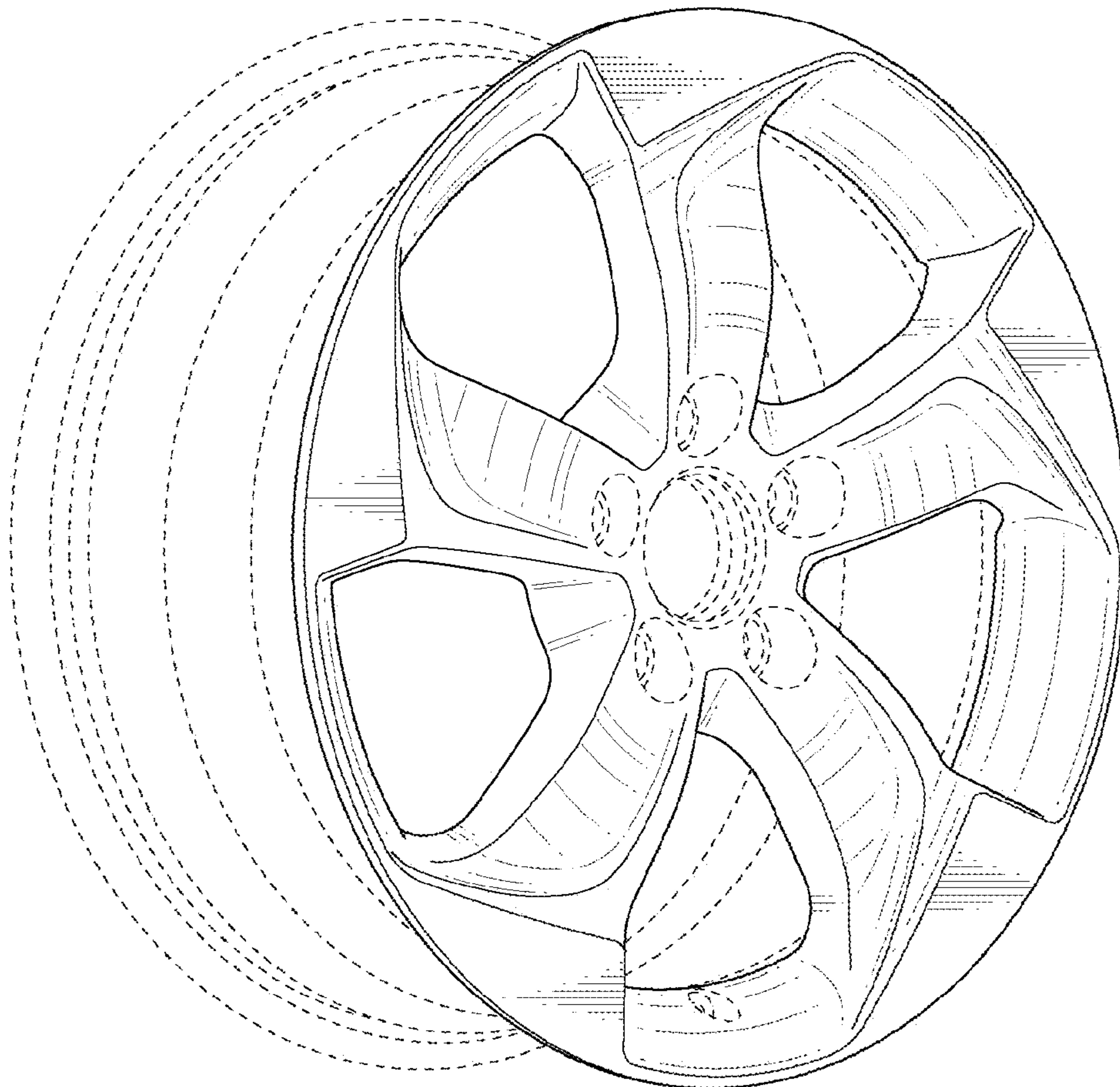


FIG. 2

