



US00D695190S

(12) **United States Design Patent**  
**Goto**

(10) **Patent No.:** **US D695,190 S**  
(45) **Date of Patent:** **\*\* Dec. 10, 2013**

(54) **WHEEL FOR AUTOMOBILE**  
(71) Applicant: **Honda Motor Co., Ltd.**, Tokyo (JP)  
(72) Inventor: **Jun Goto**, Wako (JP)  
(73) Assignee: **Honda Motor Co., Ltd.**, Tokyo (JP)  
(\*\*) Term: **14 Years**  
(21) Appl. No.: **29/459,006**  
(22) Filed: **Jun. 25, 2013**

D652,361 S \* 1/2012 Forschner ..... D12/209  
D671,478 S \* 11/2012 Baum et al. .... D12/209  
D678,157 S \* 3/2013 Perini ..... D12/209  
D683,680 S \* 6/2013 Kito ..... D12/204  
D685,710 S \* 7/2013 Hanaoka ..... D12/209

\* cited by examiner

*Primary Examiner* — Stacia Cadmus  
(74) *Attorney, Agent, or Firm* — Westerman, Hattori,  
Daniels & Adrian, LLP

(30) **Foreign Application Priority Data**  
Dec. 28, 2012 (JP) ..... 2012-032051  
(51) **LOC (9) Cl.** ..... **12-16**  
(52) **U.S. Cl.**  
USPC ..... **D12/209**  
(58) **Field of Classification Search**  
USPC ..... D12/204–213; 301/37.101, 64.101, 65,  
301/64.201  
See application file for complete search history.

(57) **CLAIM**  
The ornamental design for a wheel for automobile, as shown  
and described.

(56) **References Cited**  
**U.S. PATENT DOCUMENTS**  
D375,716 S \* 11/1996 Dehner ..... D12/209  
D455,991 S \* 4/2002 Kaucher ..... D12/209  
D548,159 S \* 8/2007 Young ..... D12/209

**DESCRIPTION**

FIG. 1 is a perspective view from the front side of a wheel for  
automobile.  
FIG. 2 is an additional perspective view from the front side  
thereof; and,  
FIG. 3 is a front elevation view thereof.  
The portions of the wheel shown in broken lines are for the  
purpose of showing environmental structure only and form no  
part of the claimed design.

**1 Claim, 3 Drawing Sheets**

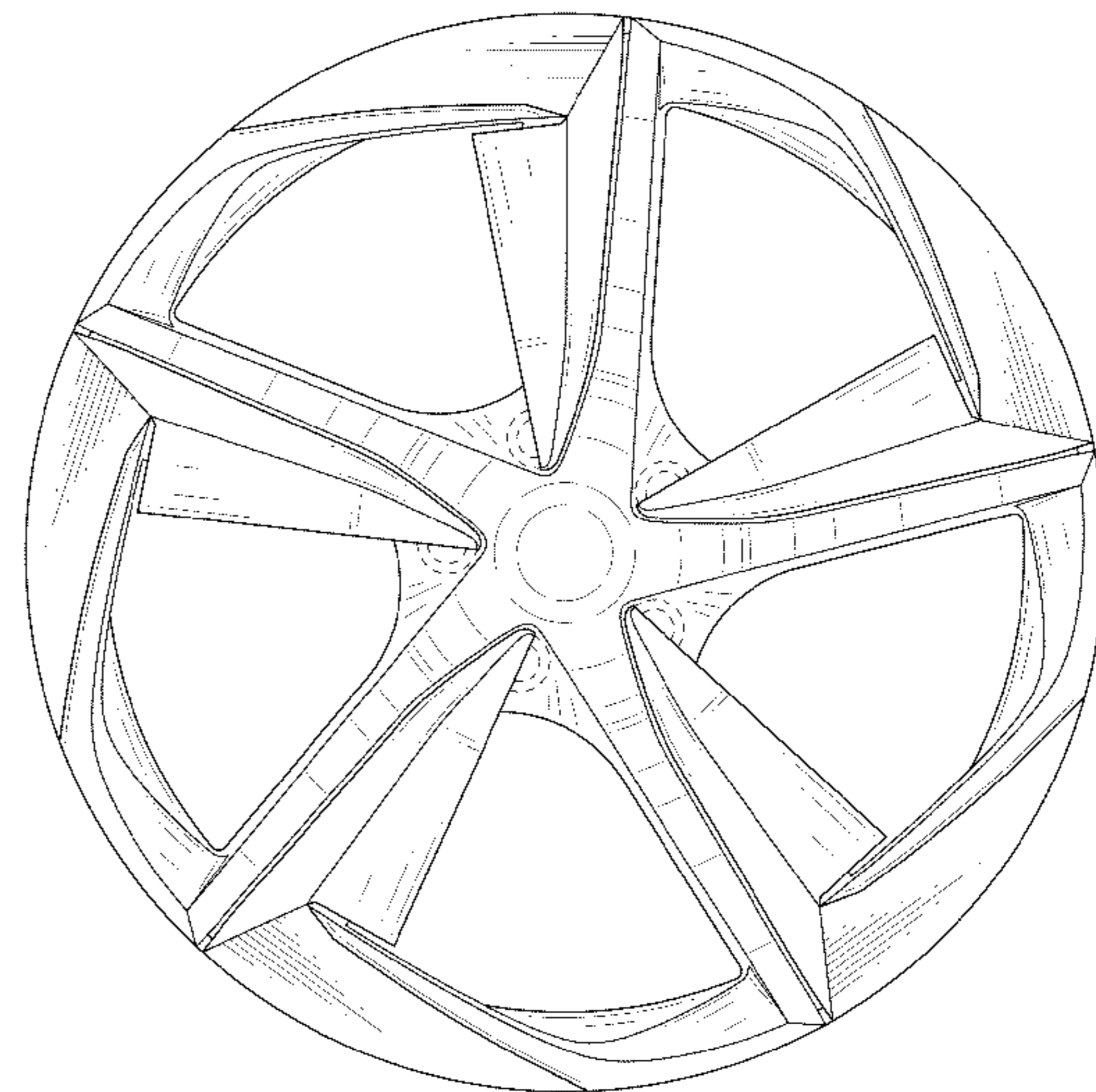
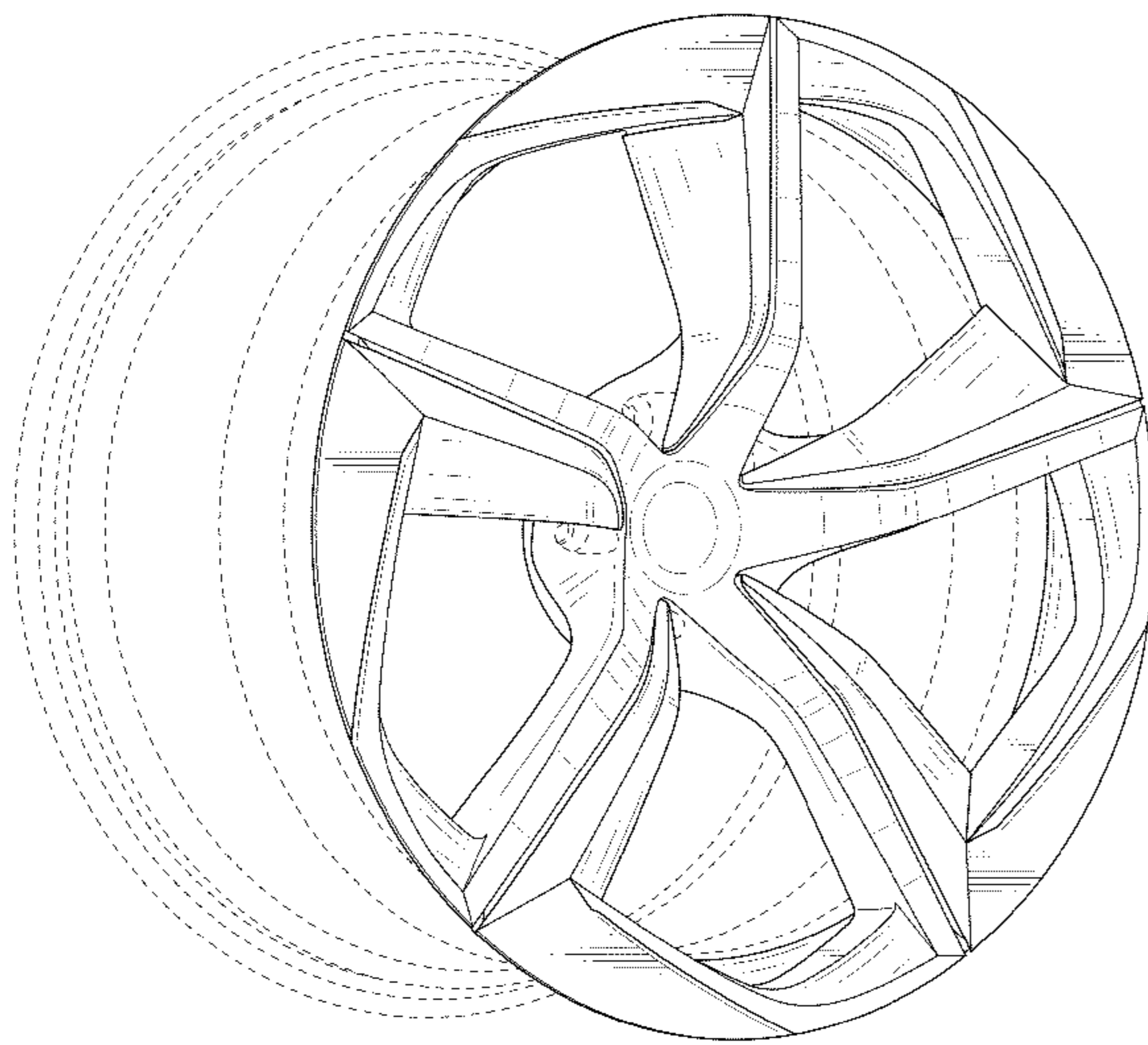


FIG. 1

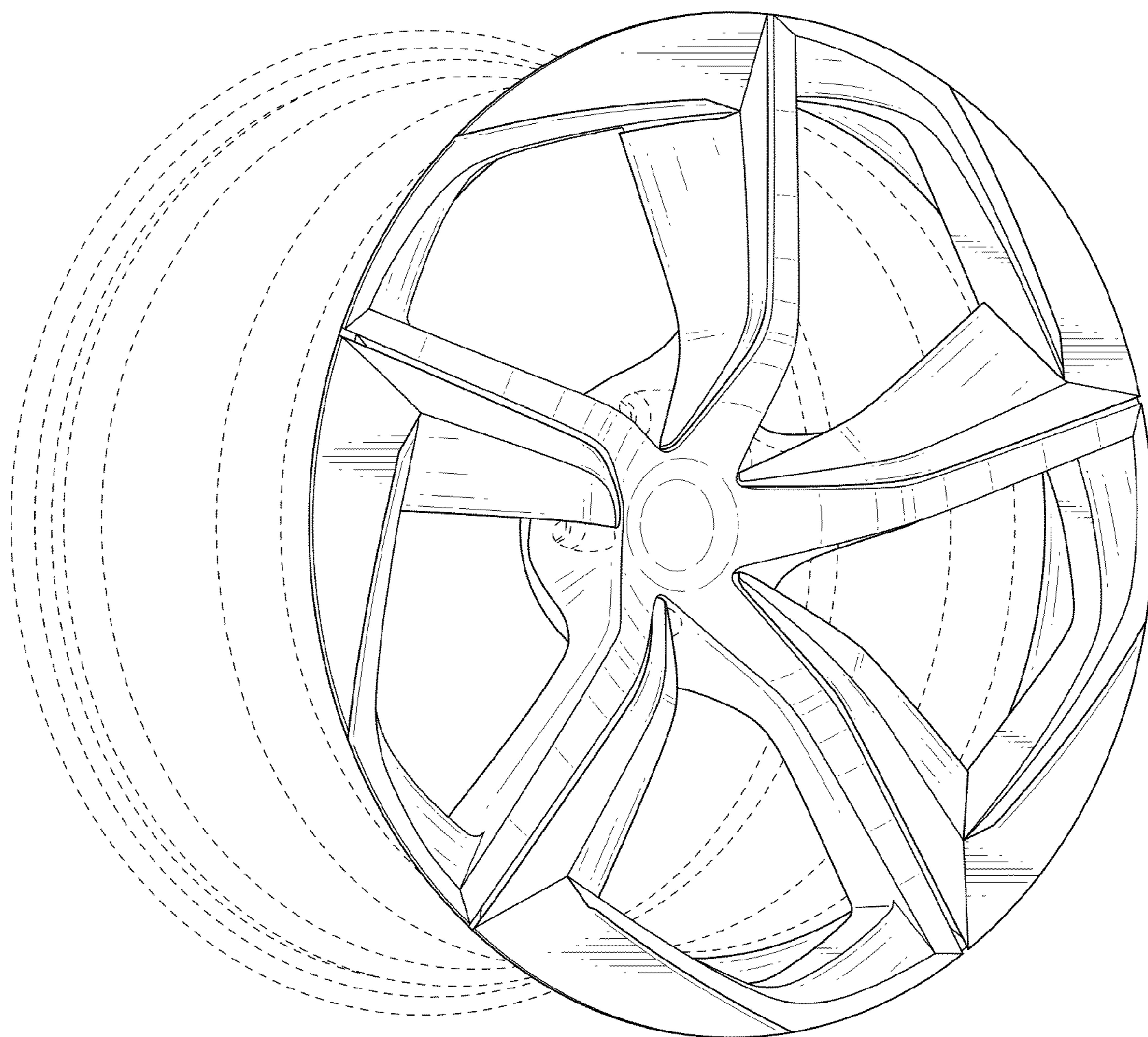


FIG. 2

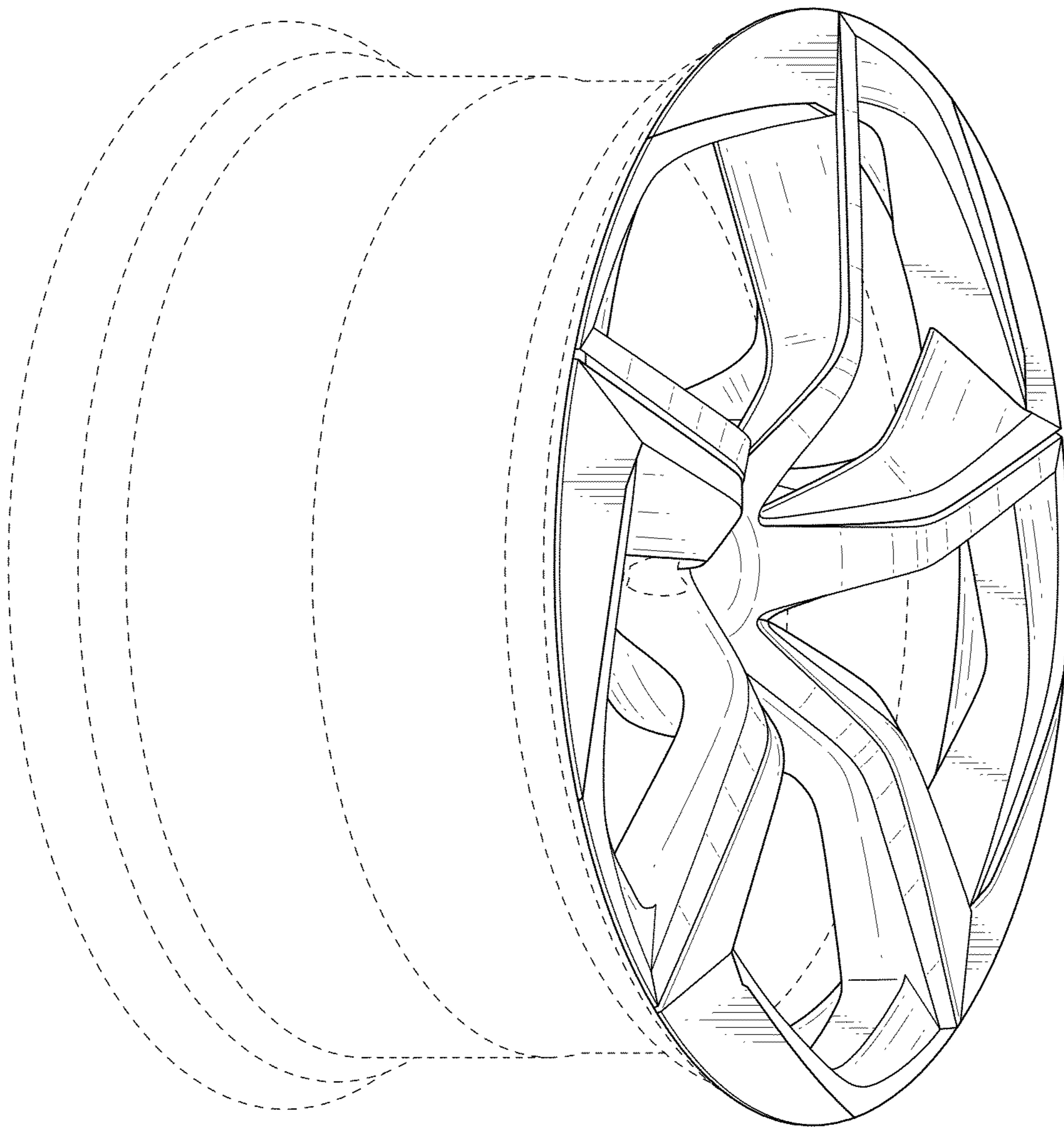




FIG. 3

