

US00D695189S

(12) **United States Design Patent**
Zhao

(10) **Patent No.:** **US D695,189 S**
(45) **Date of Patent:** **** Dec. 10, 2013**

(54) **AUTOMOBILE WHEEL**

(71) Applicant: **John Zhao**, Monterey Park, CA (US)

(72) Inventor: **John Zhao**, Monterey Park, CA (US)

(73) Assignee: **Wah Hung Group Inc.**, Monterey Park, CA (US)

(**) Term: **14 Years**

(21) Appl. No.: **29/457,898**

(22) Filed: **Jun. 13, 2013**

(51) **LOC (9) Cl.** **12-16**

(52) **U.S. Cl.**
USPC **D12/209**

(58) **Field of Classification Search**
USPC D12/204-213; 301/37.101, 64.101, 65,
301/64.201

See application file for complete search history.

(56) **References Cited**

U.S. PATENT DOCUMENTS

D273,781 S	*	5/1984	Chapman	D12/211
D361,975 S	*	9/1995	Weld	D12/210
D399,474 S	*	10/1998	Stacy	D12/211
D506,964 S	*	7/2005	Sugiyama	D12/209
D534,850 S	*	1/2007	Tsutamori	D12/209
D582,827 S	*	12/2008	Musser	D12/210

D612,316 S	*	3/2010	Sanschagrin et al.	D12/210
D613,227 S	*	4/2010	Mueller-Stolz	D12/209
D618,154 S	*	6/2010	Zhao	D12/209
D618,606 S	*	6/2010	Zhao	D12/209
D620,422 S	*	7/2010	George et al.	D12/209
D626,487 S	*	11/2010	Leng	D12/209
D642,106 S	*	7/2011	Antoniadis et al.	D12/209
D649,107 S	*	11/2011	Hale, Jr.	D12/211
D669,409 S	*	10/2012	Arakelian	D12/211
D680,938 S	*	4/2013	Hale, Jr.	D12/210
D683,292 S	*	5/2013	Woolley et al.	D12/209

* cited by examiner

Primary Examiner — Stacia Cadmus

(74) *Attorney, Agent, or Firm* — Adli Law Group P.C.

(57) **CLAIM**

I claim the ornamental design for an automobile wheel, as shown and described.

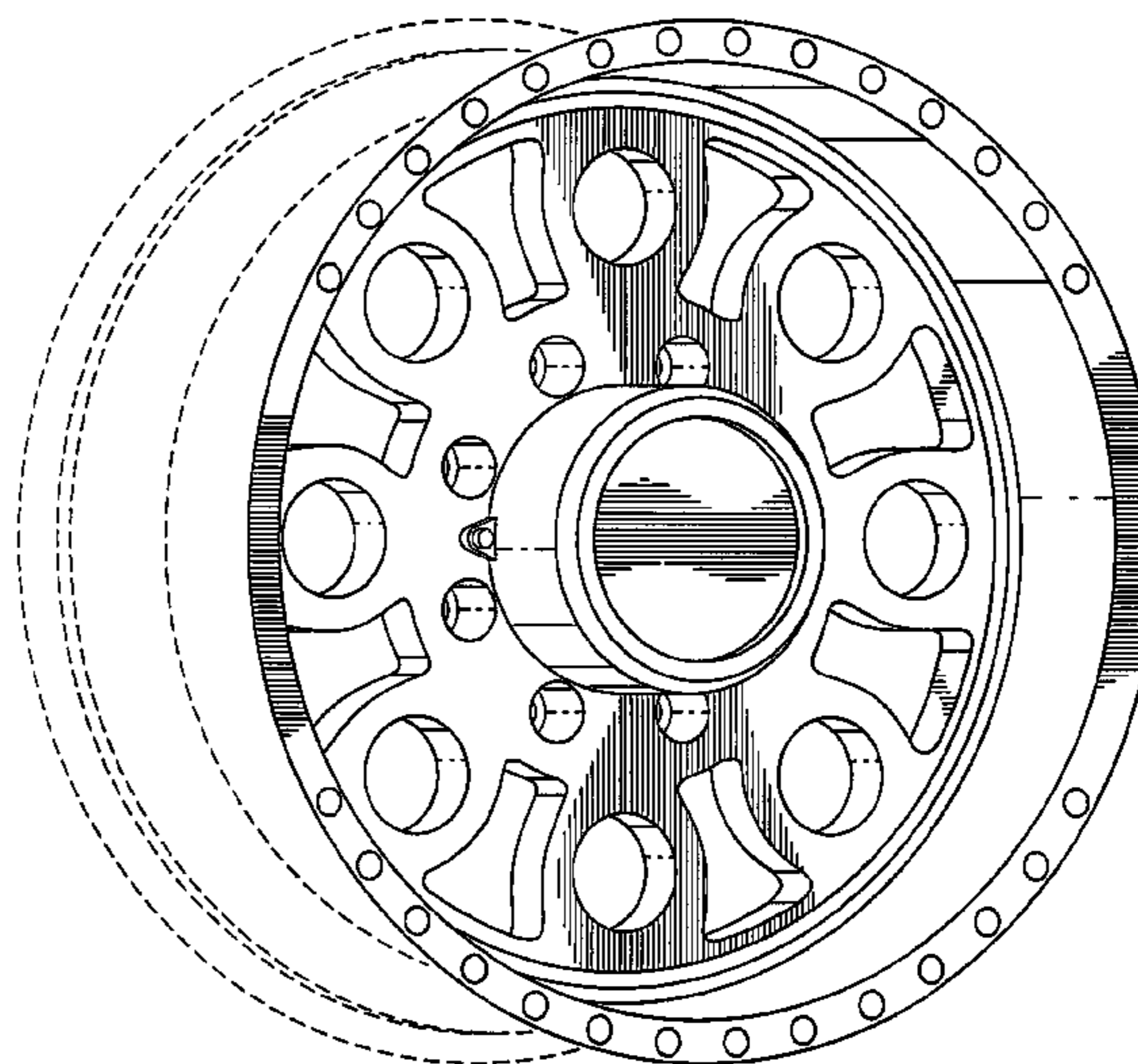
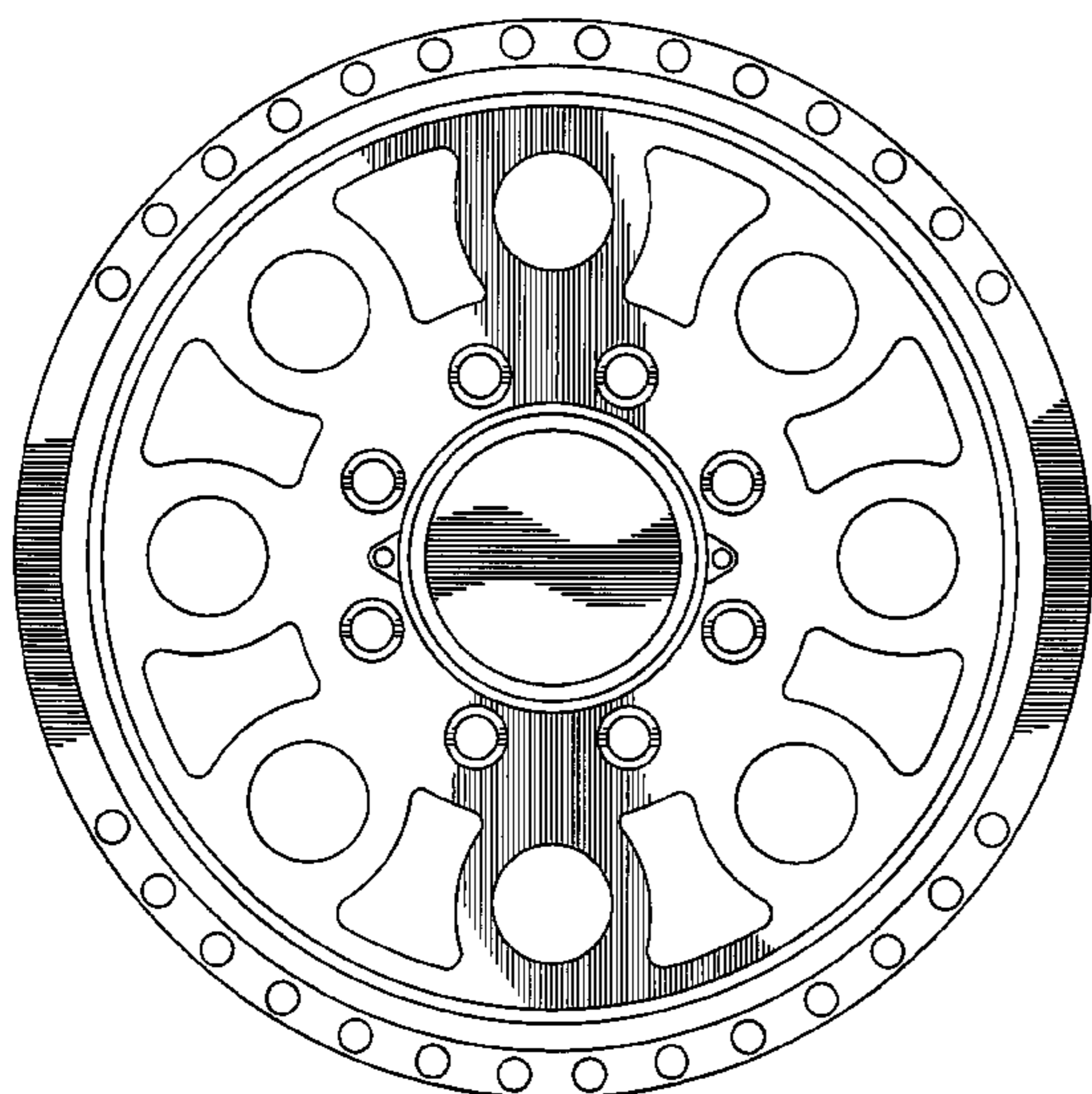
DESCRIPTION

FIG. 1 is a front elevational view of an automobile wheel according to the claimed design; and,

FIG. 2 is perspective view of an automobile wheel according to the claimed design.

The ornamental design which is claimed is shown in solid lines in the drawings. The broken lines in the drawings are for illustrative purposes only and form no part of the claimed design.

1 Claim, 2 Drawing Sheets



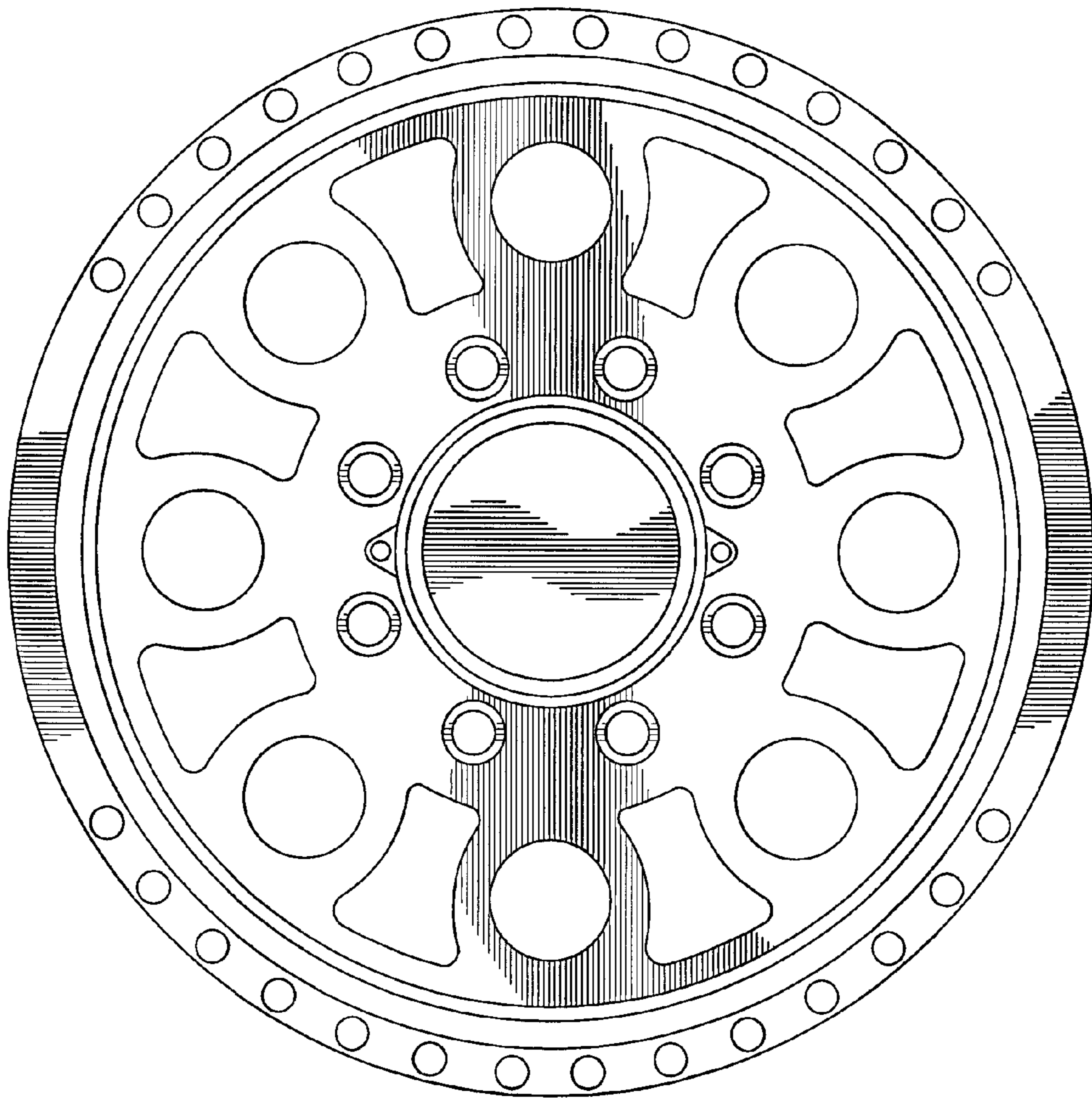


FIG. 1

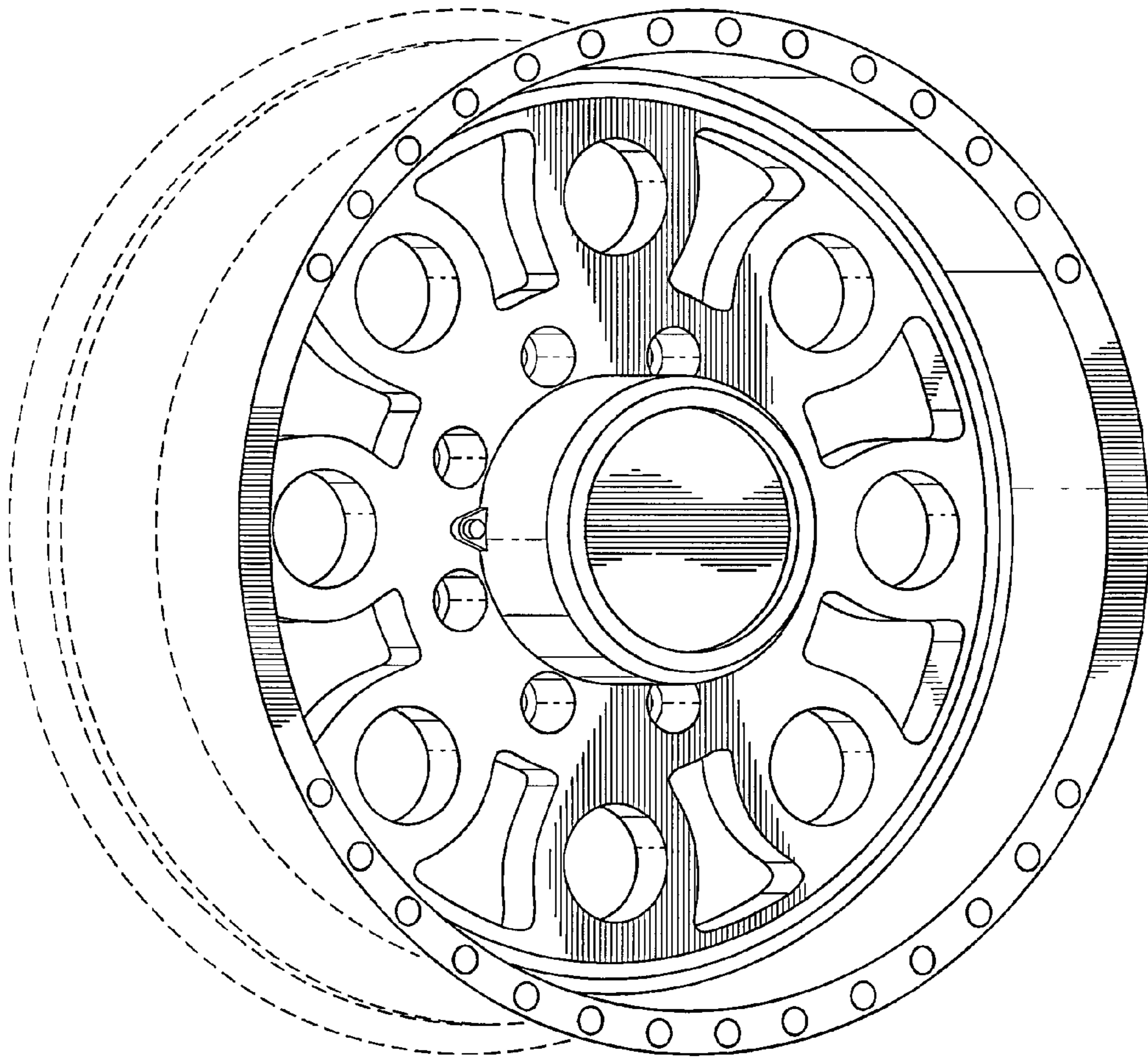


FIG. 2