



US00D695188S

(12) **United States Design Patent**
Chinavare

(10) **Patent No.:** **US D695,188 S**

(45) **Date of Patent:** **** Dec. 10, 2013**

(54) **VEHICLE WHEEL**

(71) Applicant: **Kevin Chinavare**, Middleville, MI (US)

(72) Inventor: **Kevin Chinavare**, Middleville, MI (US)

(73) Assignee: **Lacks Enterprises, Inc.**, Grand Rapids, MI (US)

(**) Term: **14 Years**

(21) Appl. No.: **29/454,925**

(22) Filed: **May 15, 2013**

(51) **LOC (9) Cl.** **12-16**

(52) **U.S. Cl.**
USPC **D12/209**

(58) **Field of Classification Search**
USPC D12/204-213; 301/37.101, 64.101, 65,
301/64.201
See application file for complete search history.

(56) **References Cited**

U.S. PATENT DOCUMENTS

D470,812 S * 2/2003 Chu D12/211
D495,649 S * 9/2004 Schell et al. D12/209

D518,766 S * 4/2006 Burns D12/211
D542,210 S * 5/2007 Plumer D12/211
D576,937 S * 9/2008 Imai D12/211
D613,660 S * 4/2010 Tant et al. D12/211
D614,111 S * 4/2010 Tant et al. D12/211
D625,238 S * 10/2010 Zhao D12/209

* cited by examiner

Primary Examiner — Stacia Cadmus

(74) *Attorney, Agent, or Firm* — Dickinson Wright PLLC

(57) **CLAIM**

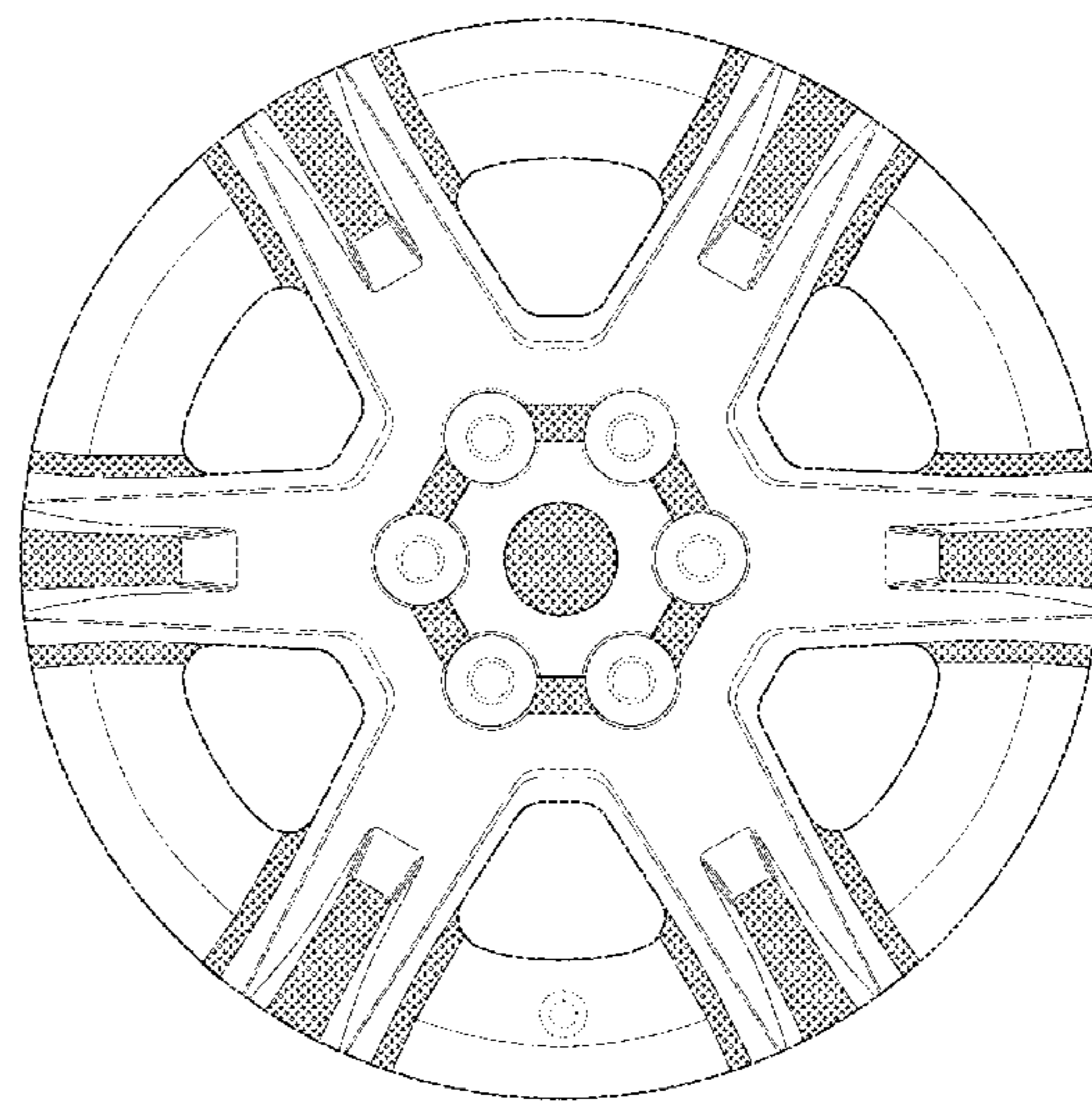
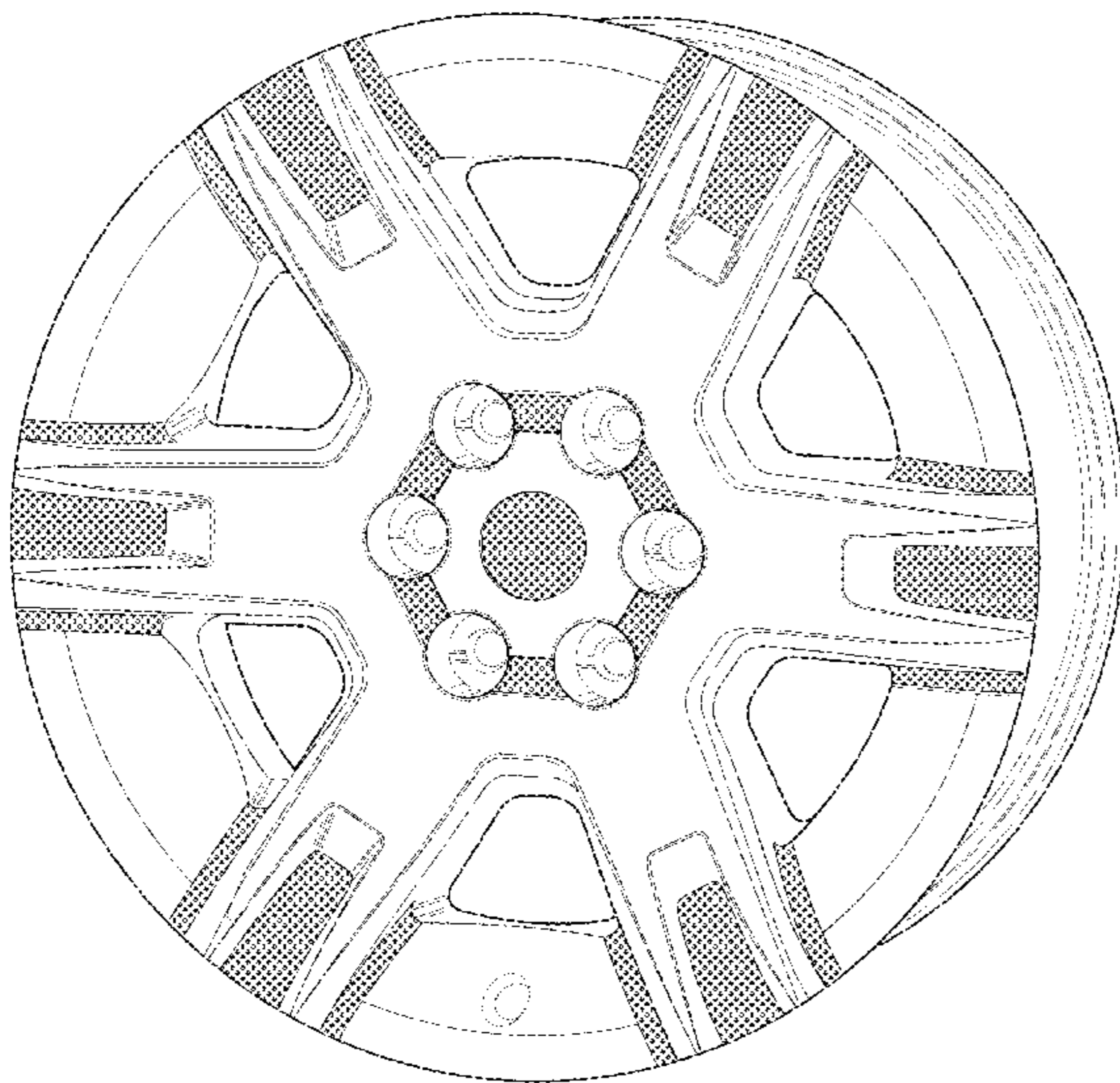
The ornamental design for a vehicle wheel, as shown and described.

DESCRIPTION

FIG. 1 is a perspective view of a vehicle wheel according to an aspect of the disclosure; and, FIG. 2 is a front view of a vehicle wheel according to an aspect of the disclosure.

The broken phantom lines depict unclaimed subject matter only and form no part of the claimed design.

1 Claim, 2 Drawing Sheets



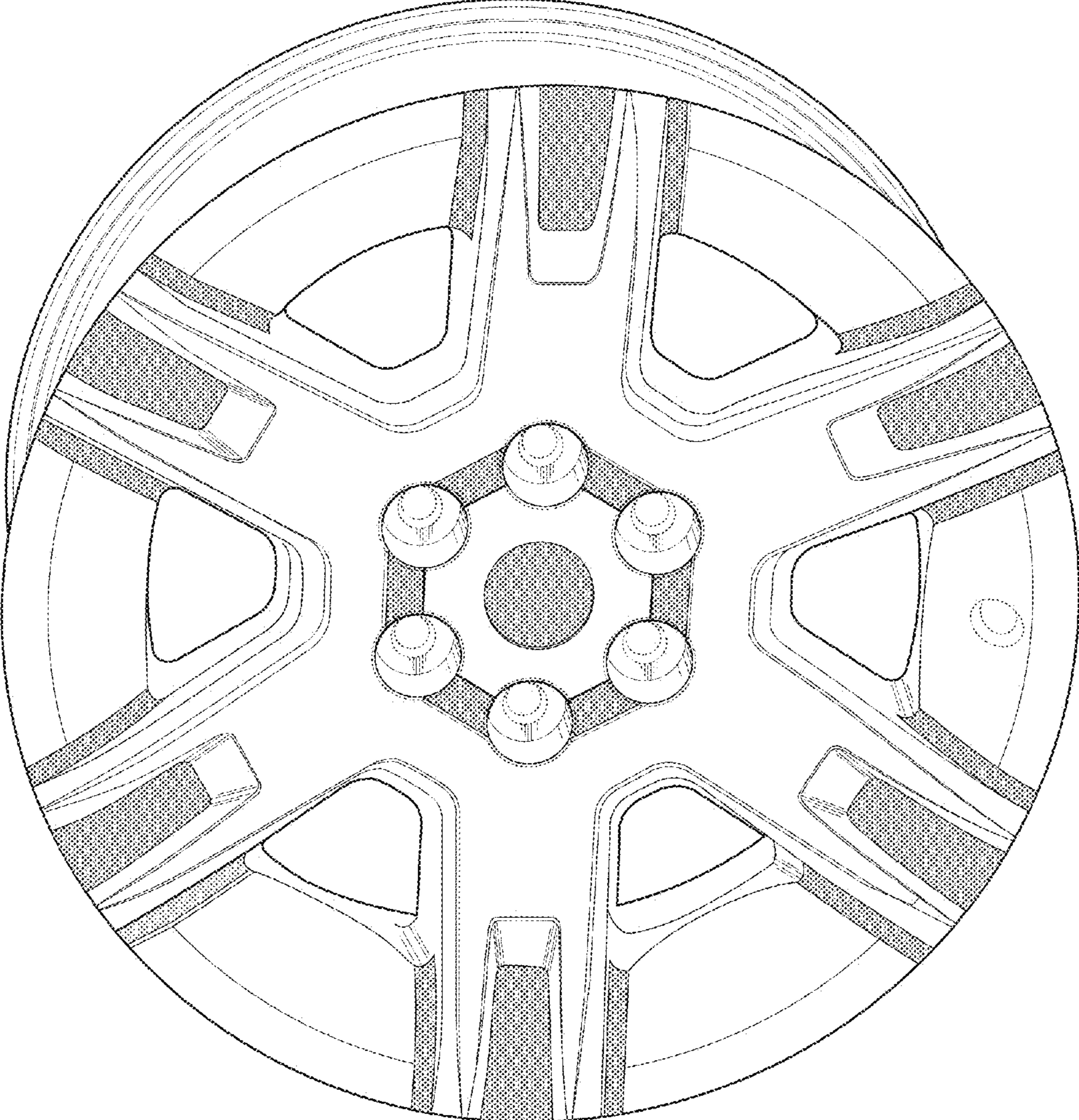


FIG. 1

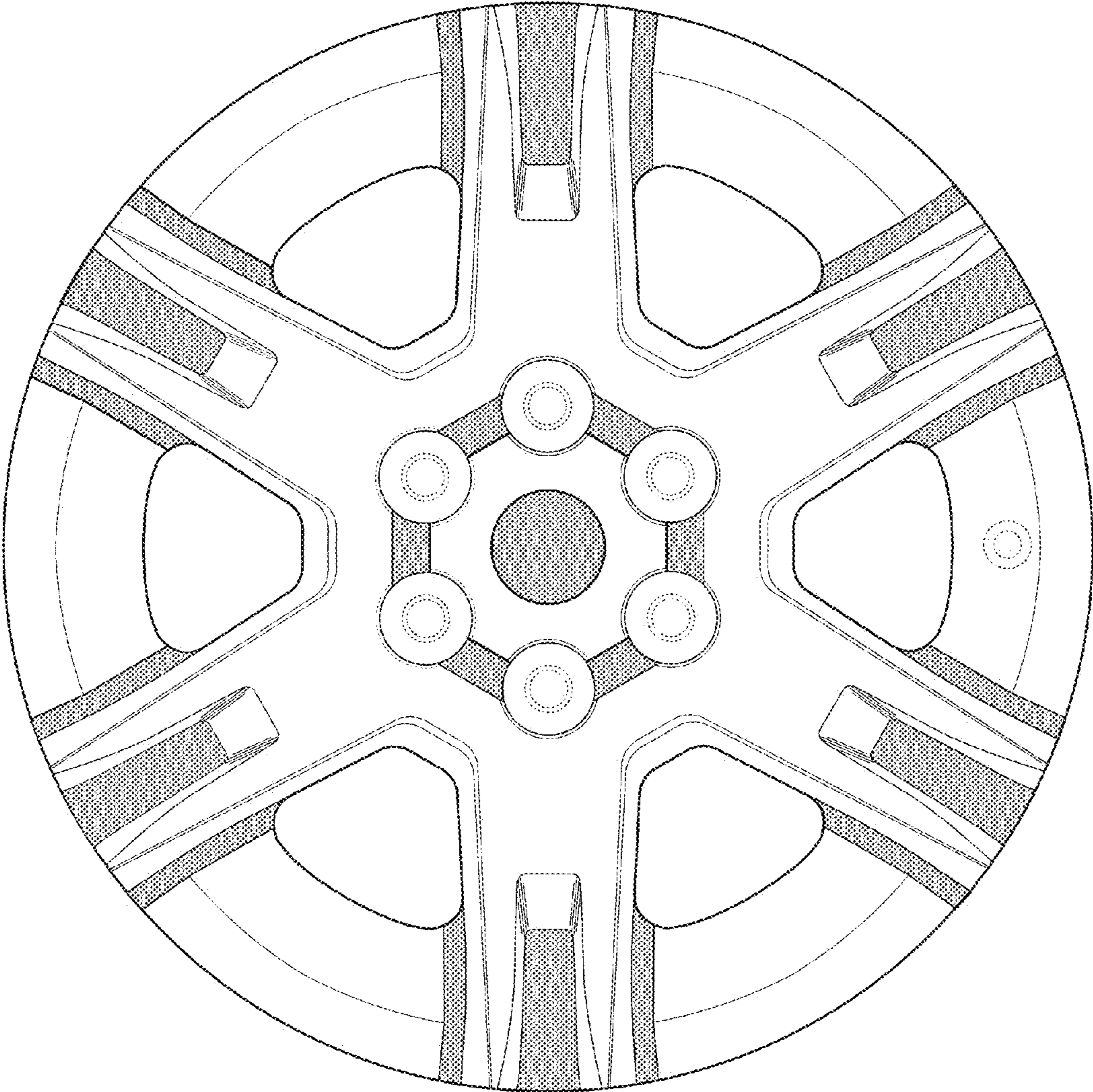


FIG. 2