



US00D695182S

(12) **United States Design Patent**
Chung

(10) **Patent No.:** **US D695,182 S**

(45) **Date of Patent:** **** Dec. 10, 2013**

(54) **WHEEL**

(71) Applicant: **Wheel Pros, LLC**, Lakewood, CO (US)

(72) Inventor: **Suny Chung**, Yorba Linda, CA (US)

(73) Assignee: **Wheel Pros, LLC**, Greenwood Village, CO (US)

(**) Term: **14 Years**

(21) Appl. No.: **29/439,748**

(22) Filed: **Dec. 14, 2012**

Related U.S. Application Data

(62) Division of application No. 29/435,797, filed on Oct. 29, 2012.

(51) **LOC (9) Cl.** **12-16**

(52) **U.S. Cl.**
USPC **D12/209**

(58) **Field of Classification Search**
USPC D12/204-213; 301/37.101, 64.101, 65,
301/64.201

See application file for complete search history.

(56) **References Cited**

U.S. PATENT DOCUMENTS

D526,265 S *	8/2006	Muzzarelli	D12/209
D527,327 S *	8/2006	Laengerer	D12/211
D554,036 S *	10/2007	Chung	D12/209
D571,274 S *	6/2008	Chung	D12/209
D584,673 S *	1/2009	Chung	D12/209
D613,658 S *	4/2010	Cortes	D12/209
D649,107 S *	11/2011	Hale, Jr.	D12/211
D675,971 S *	2/2013	Lee	D12/209
D678,156 S *	3/2013	Gotschke	D12/209
D680,047 S *	4/2013	Hale, Jr.	D12/209
D682,762 S *	5/2013	Hale, Jr.	D12/209

* cited by examiner

Primary Examiner — Stacia Cadmus

(74) *Attorney, Agent, or Firm* — Garcia-Zamor IP Law; Ruy M. Garcia-Zamor

(57) **CLAIM**

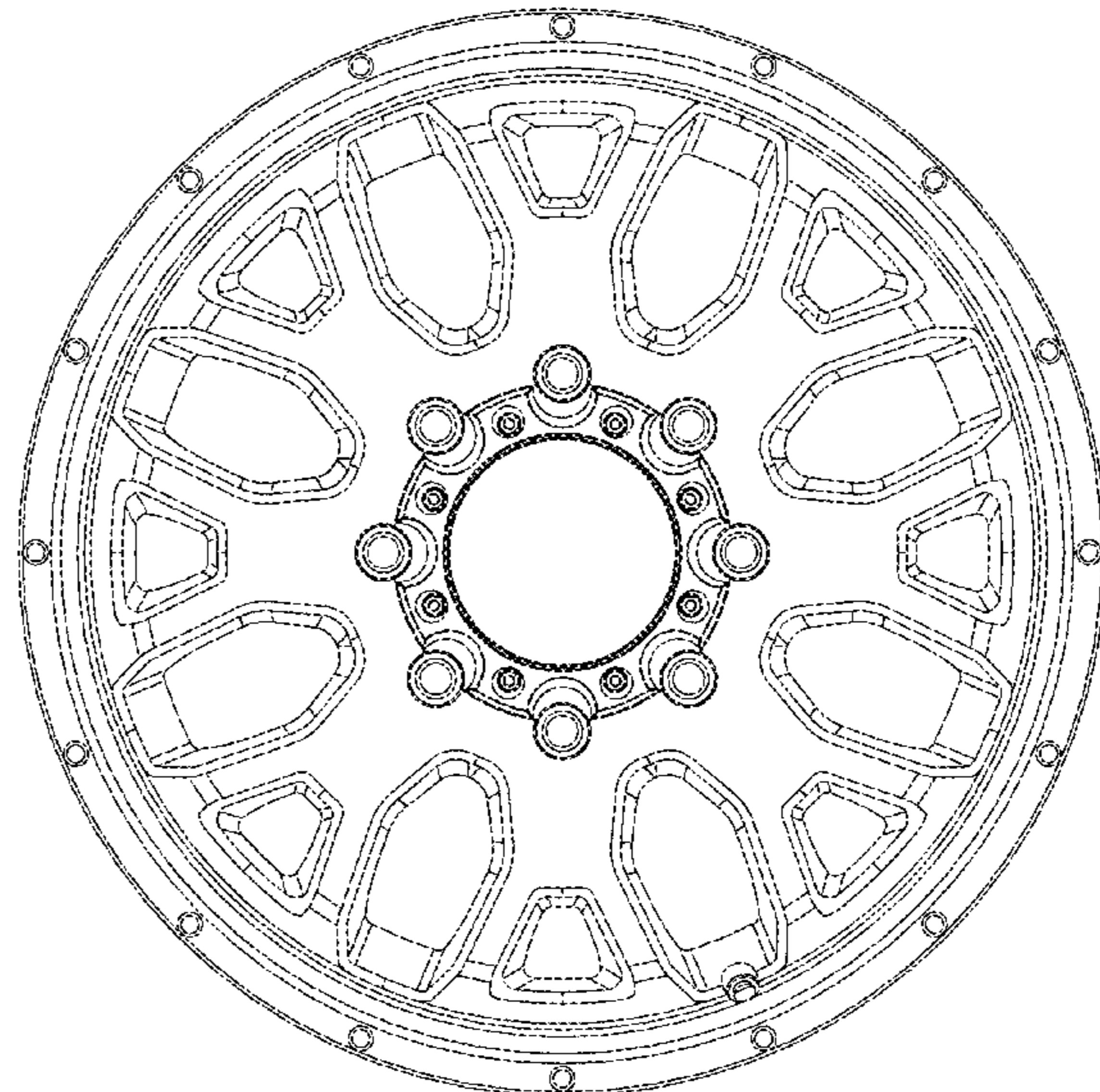
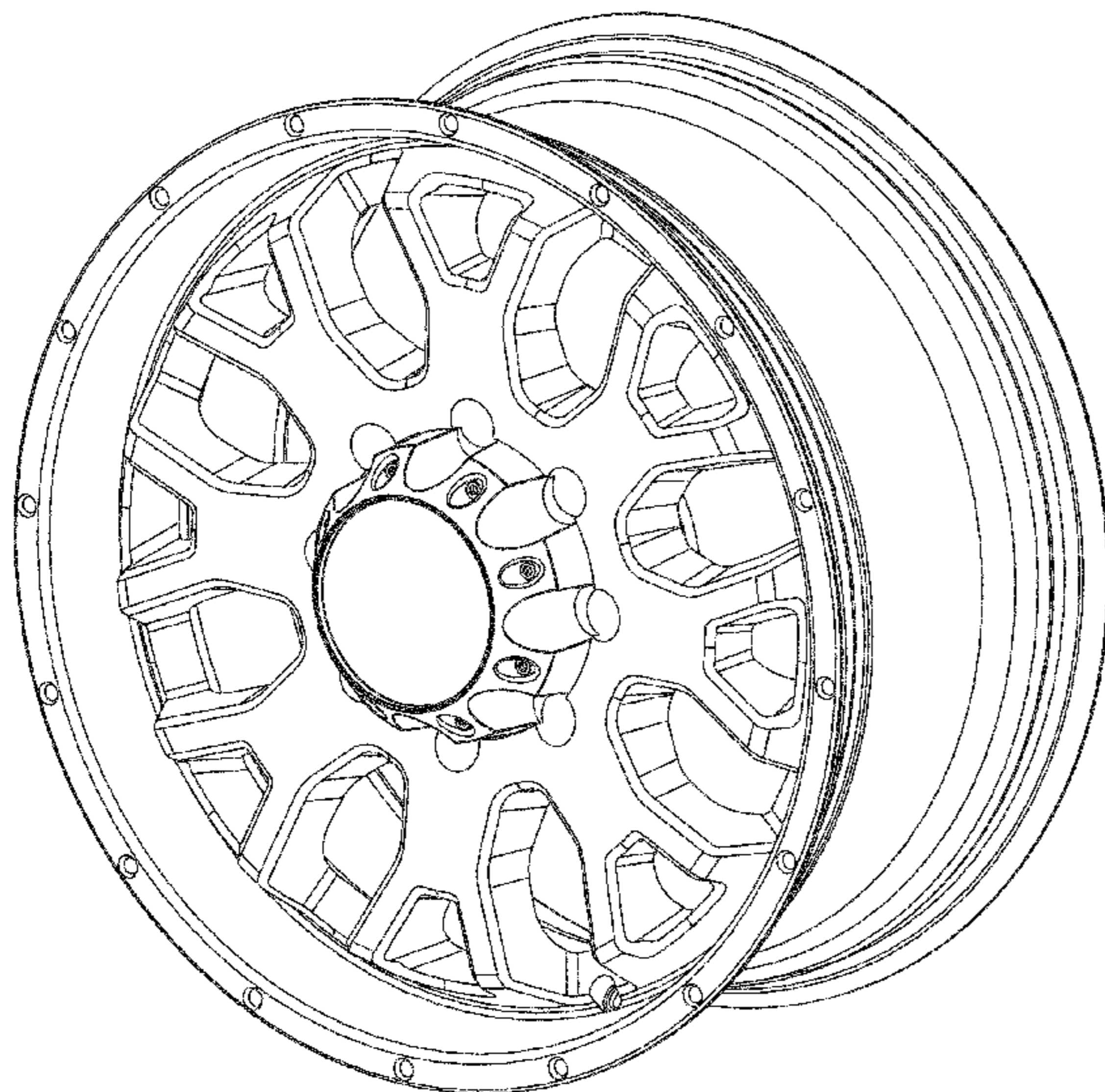
The ornamental design for a wheel, as shown and described.

DESCRIPTION

FIG. 1 is a perspective view of a wheel, showing my new design; and,

FIG. 2 is a front view thereof.

1 Claim, 2 Drawing Sheets



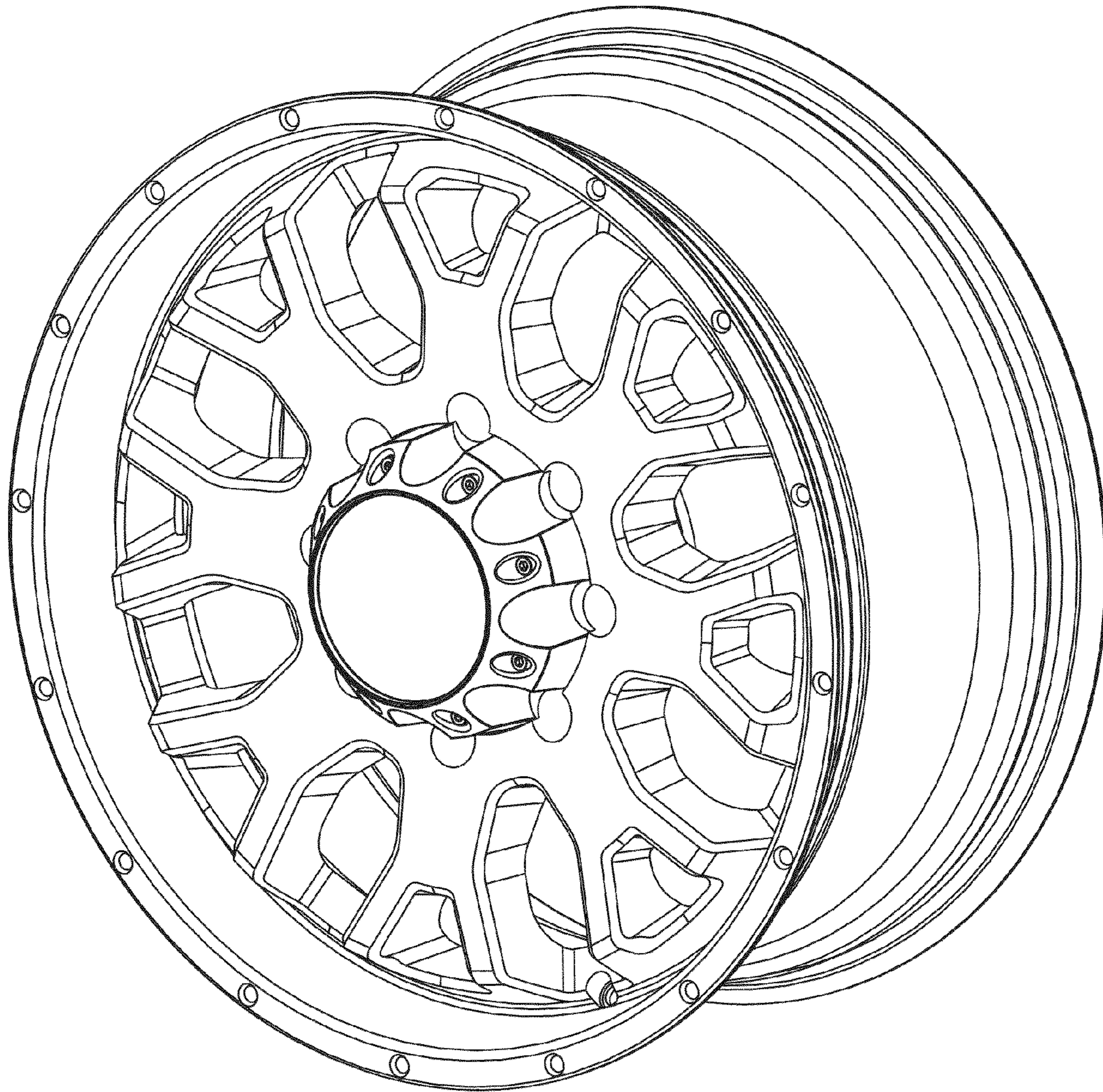


Fig. 1

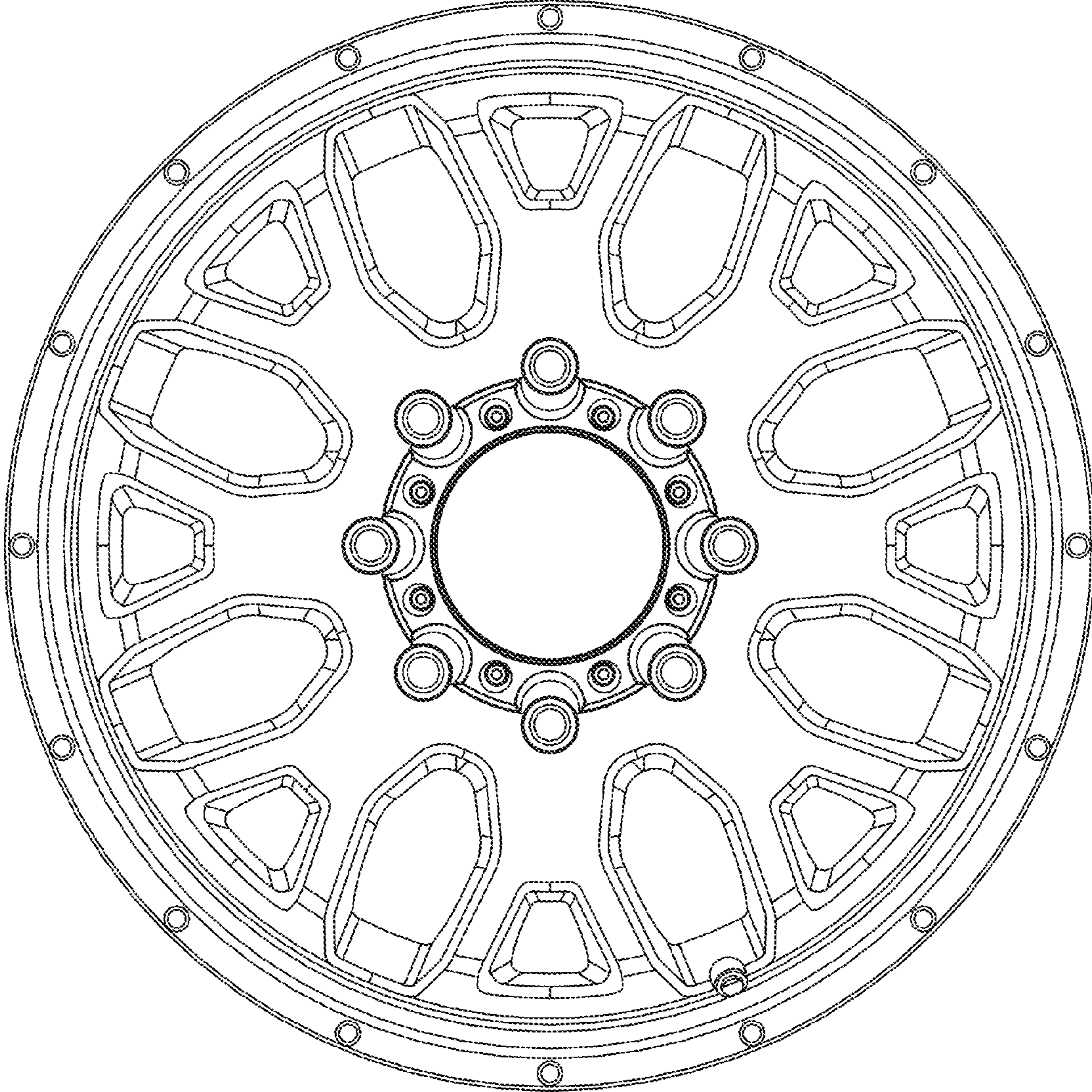


Fig. 2