

US00D695173S

(12) **United States Design Patent**
Sperry

(10) **Patent No.:** **US D695,173 S**

(45) **Date of Patent:** **** Dec. 10, 2013**

(54) **MUD FLAP BRACKET**

(71) Applicant: **Bradley Douglas Sperry**, Green Bay, WI (US)

(72) Inventor: **Bradley Douglas Sperry**, Green Bay, WI (US)

(**) Term: **14 Years**

(21) Appl. No.: **29/435,198**

(22) Filed: **Oct. 21, 2012**

(51) **LOC (9) Cl.** **12-16**

(52) **U.S. Cl.**
USPC **D12/185**; D8/349; D8/359; D8/394

(58) **Field of Classification Search**
USPC D12/90, 91, 92, 93, 96, 181, 184, 185,
D12/196, 202; D6/323, 567; D8/353, 366,
D8/367, 373, 394; D24/127, 128;
180/180.1, 180.2; 211/60.1, 70.1, 70.5,
211/70.6, 71, 72, 89; 224/42.12, 42.24,
224/42.26; 248/58, 68.1, 301, 304, 309.1;
280/152.1, 153.6, 154, 847-851;
296/181.1, 181.5

See application file for complete search history.

(56) **References Cited**

U.S. PATENT DOCUMENTS

3,782,757 A * 1/1974 Juergens 280/851
4,326,727 A * 4/1982 Rock 280/851

D279,560 S * 7/1985 Jensen D12/185
4,688,814 A * 8/1987 Arenhold 280/851
D308,958 S * 7/1990 Knox D12/185
D340,019 S * 10/1993 Yoder D12/223
5,676,389 A * 10/1997 Richardson 280/149.2
D391,150 S * 2/1998 Anderson D8/394
5,915,708 A * 6/1999 Silva 280/154
5,967,553 A * 10/1999 Cominsky 280/847
D484,399 S * 12/2003 Arthur D8/394
D657,054 S * 4/2012 Bacon D24/128
2007/0216128 A1 * 9/2007 Morton 280/154

* cited by examiner

Primary Examiner — Philip S Hyder

Assistant Examiner — Darlington Ly

(74) *Attorney, Agent, or Firm* — Steven H. Greenfield;
Greenfield Invention and Patent Consulting Inc.

(57) **CLAIM**

The ornamental design for a mud flap bracket, as shown and described.

DESCRIPTION

FIG. 1 is a top perspective view of a mud flap bracket showing my new design;

FIG. 2 is a bottom perspective view thereof;

FIG. 3 is a front view thereof;

FIG. 4 is a rear view thereof;

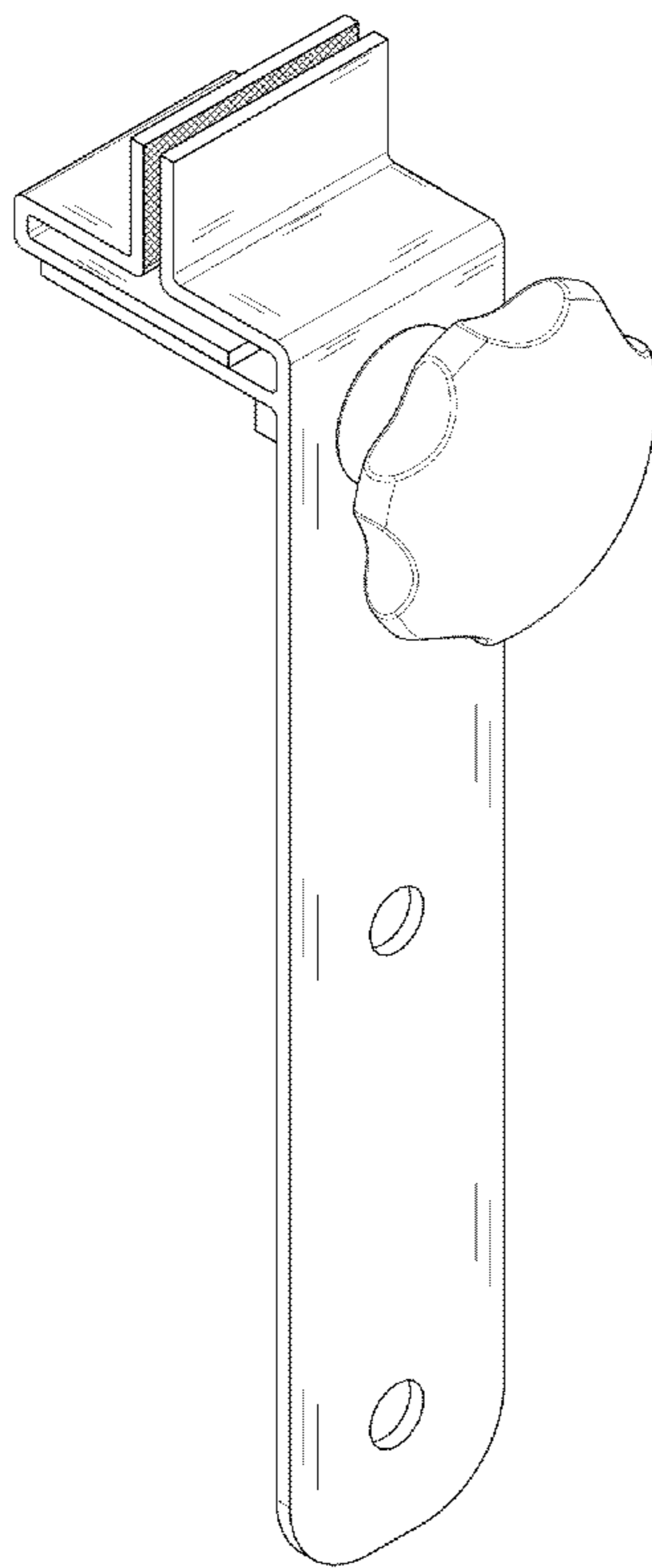
FIG. 5 is a top view thereof;

FIG. 6 is a bottom view thereof;

FIG. 7 is a first side view thereof; and,

FIG. 8 is a second side view thereof.

1 Claim, 8 Drawing Sheets



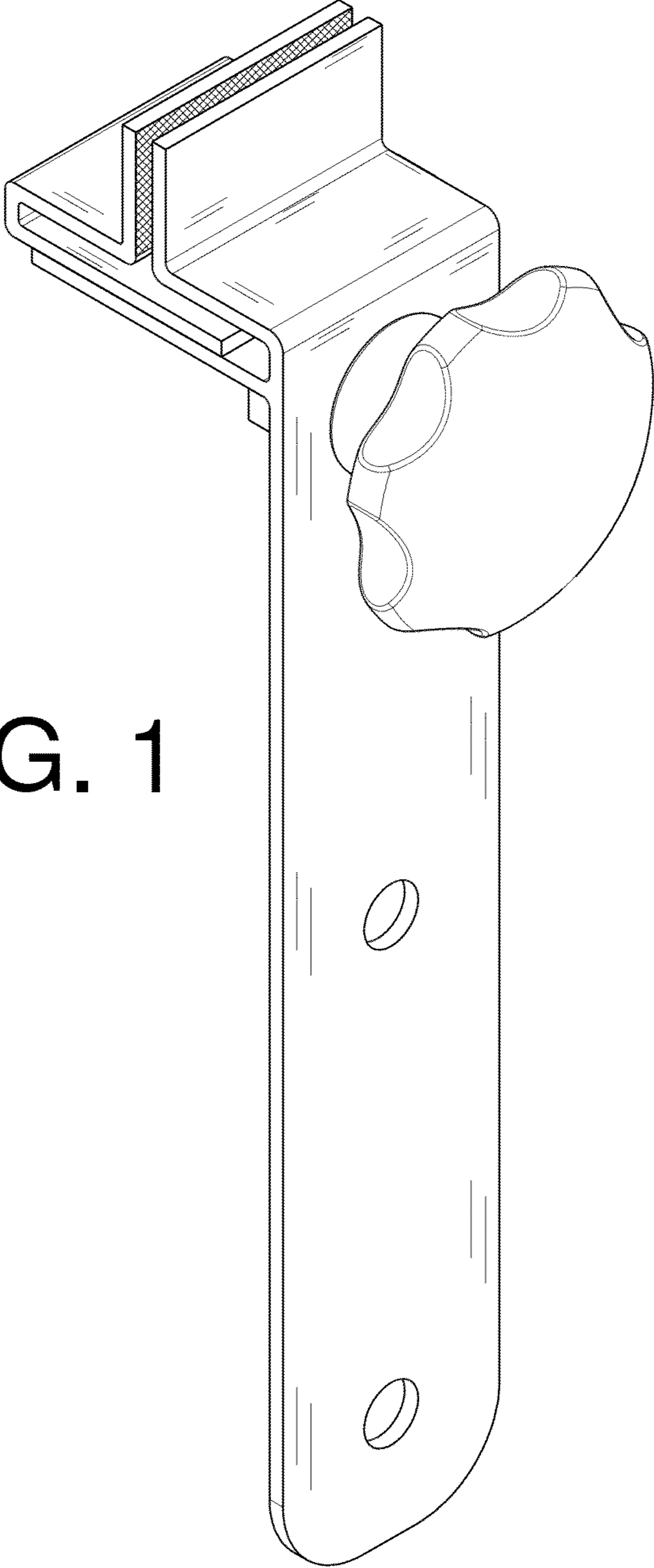


FIG. 1

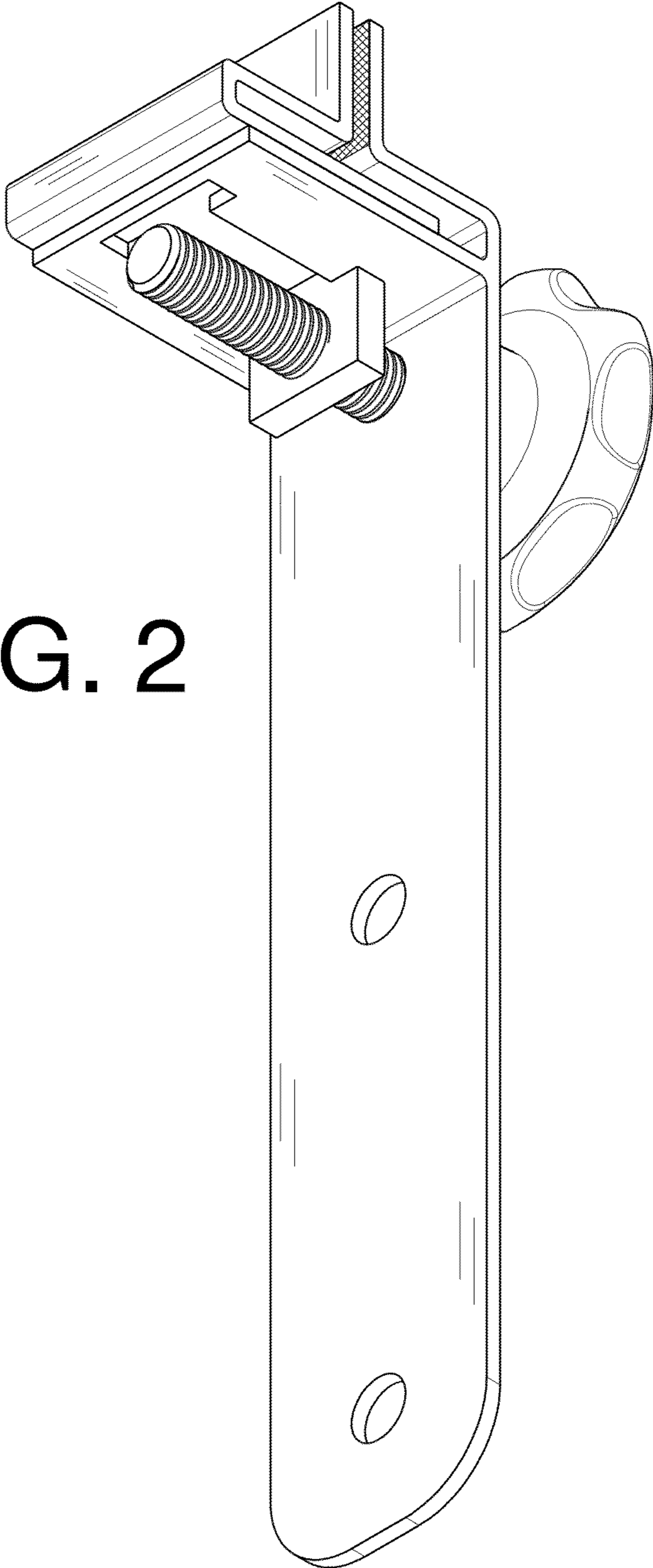
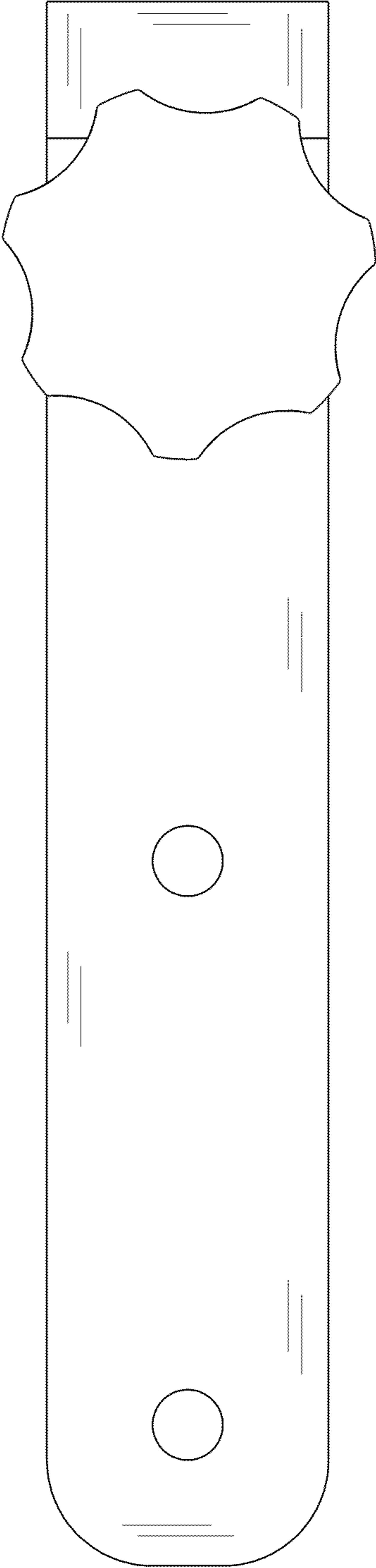


FIG. 2

FIG. 3



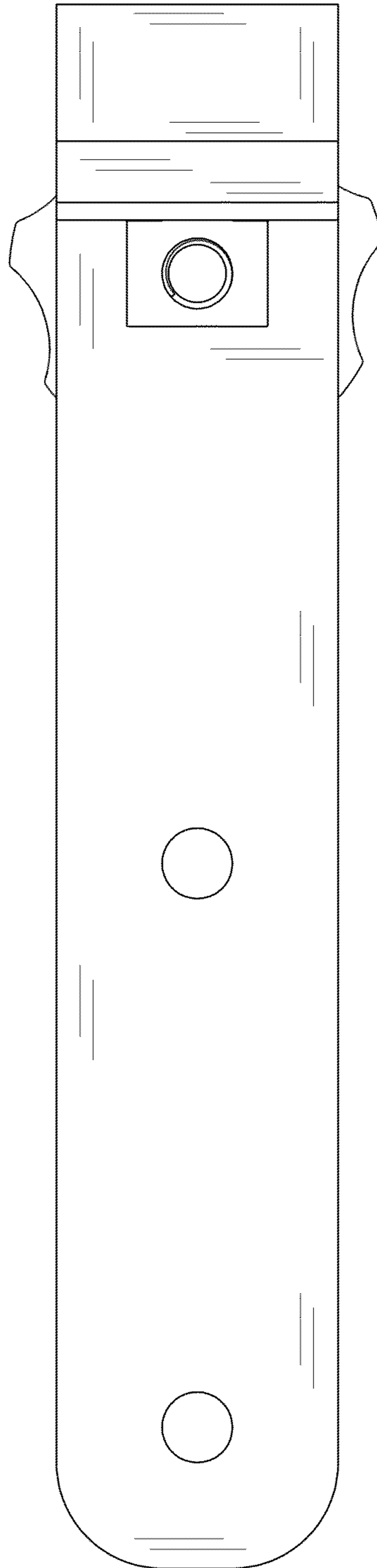


FIG. 4

FIG. 5

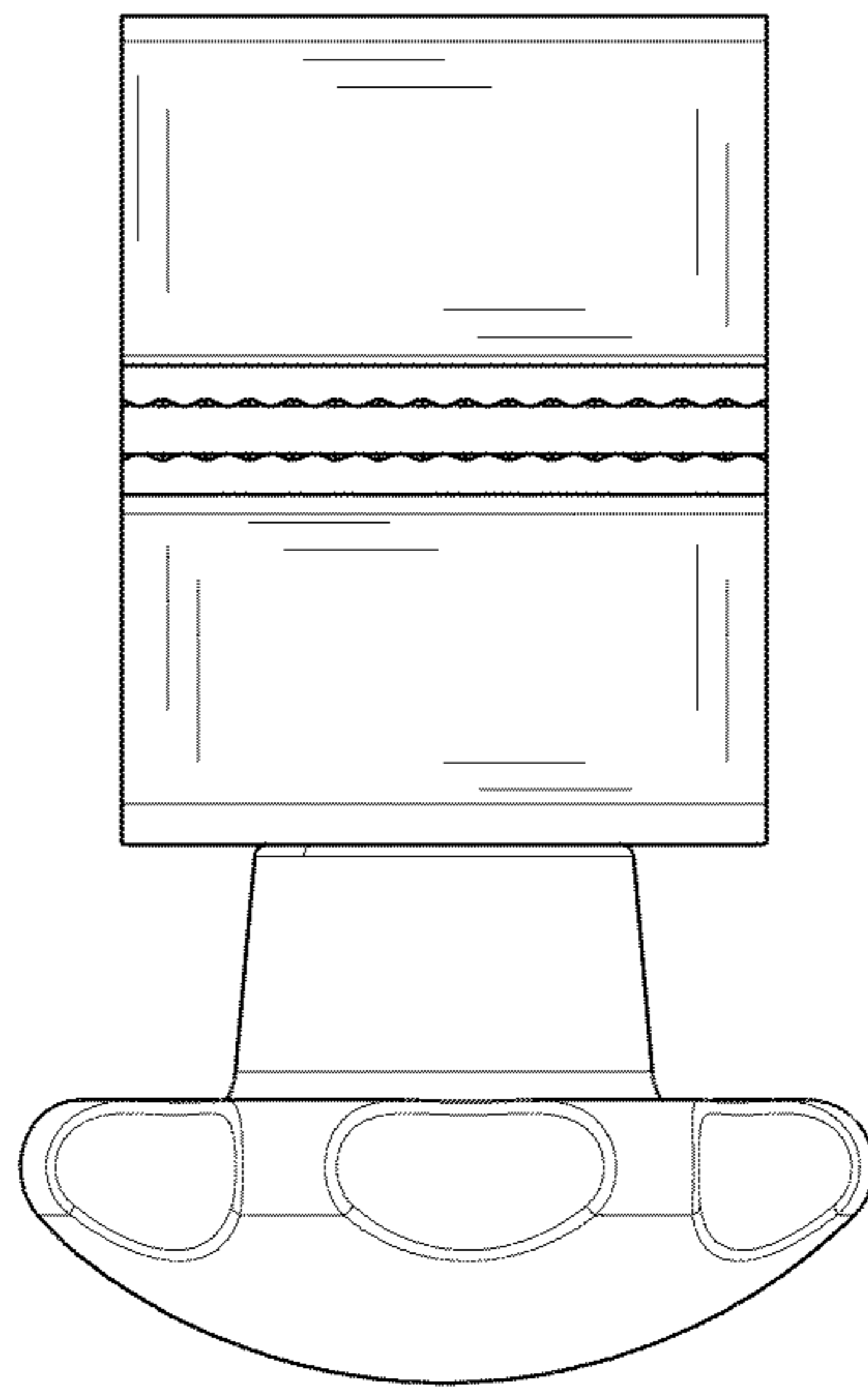
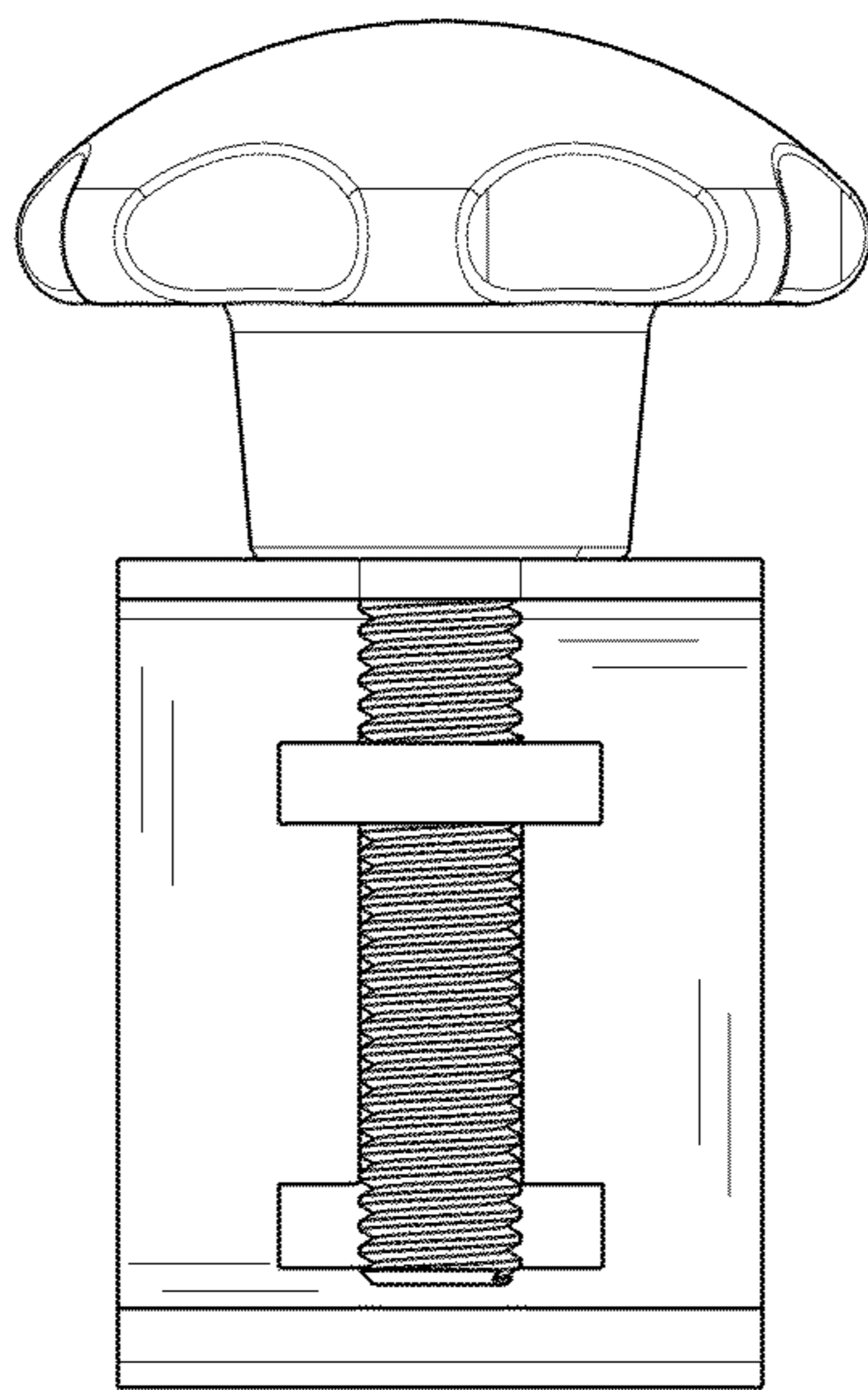


FIG. 6



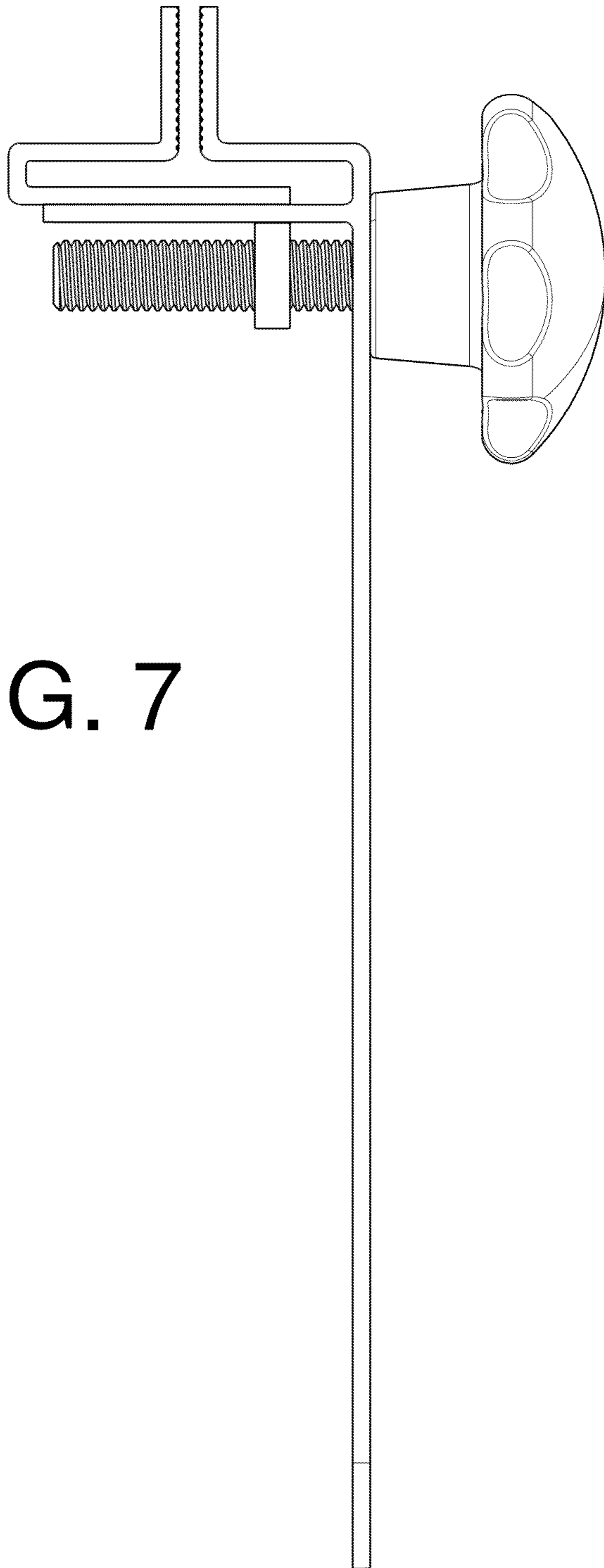


FIG. 7

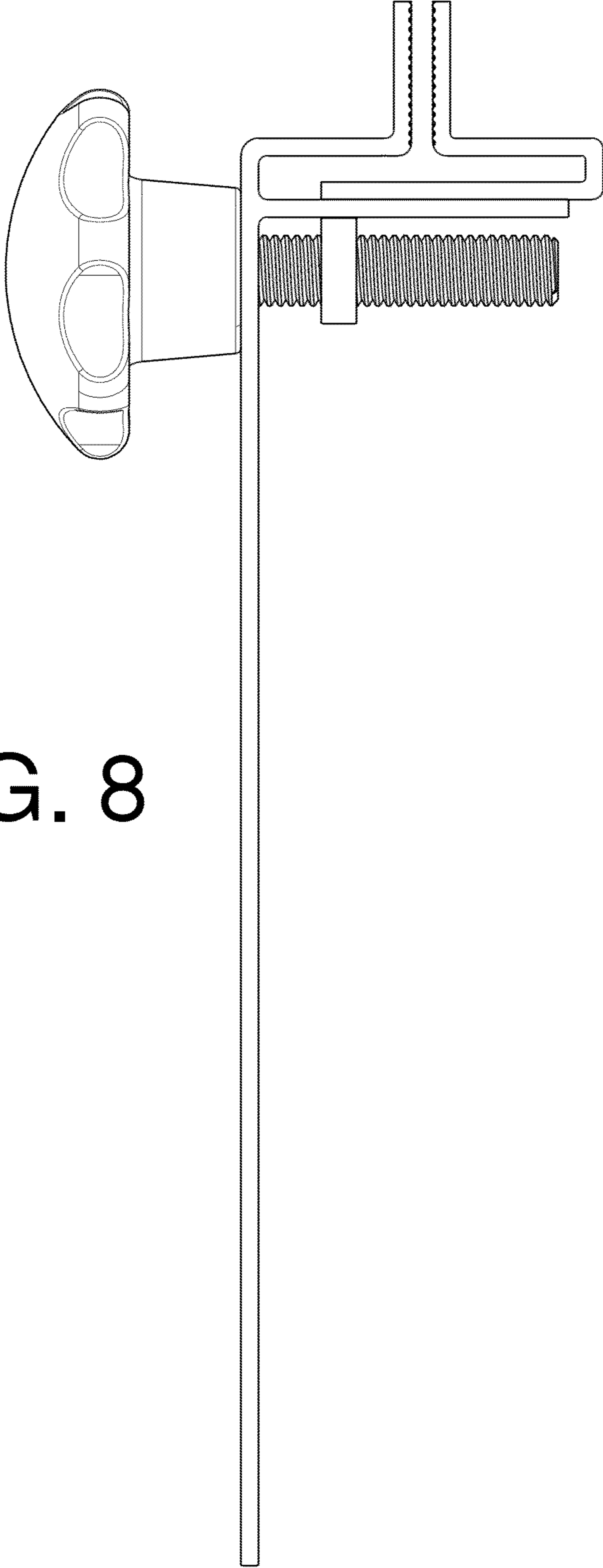


FIG. 8