

US00D695172S

(12) **United States Design Patent**  
**Kavaja**

(10) **Patent No.:** **US D695,172 S**  
(45) **Date of Patent:** **\*\* Dec. 10, 2013**

- (54) **VEHICLE FENDER**
- (71) Applicant: **GM Global Technology Operations LLC, Detroit, MI (US)**
- (72) Inventor: **Henri Kavaja, Warren, MI (US)**
- (73) Assignee: **GM Global Technology Operations LLC, Detroit, MI (US)**
- (\*\*) Term: **14 Years**
- (21) Appl. No.: **29/443,909**
- (22) Filed: **Jan. 24, 2013**
- (51) **LOC (9) Cl.** ..... **12-16**
- (52) **U.S. Cl.**  
USPC ..... **D12/184**
- (58) **Field of Classification Search**  
USPC ..... D12/184, 196, 90-92, 181;  
280/152.1-152.3; 296/181.1, 181.5,  
296/183, 183.1  
See application file for complete search history.

- D562,202 S \* 2/2008 Tant et al. .... D12/184
- D562,743 S \* 2/2008 Hanson et al. .... D12/169
- D597,459 S \* 8/2009 Wagner et al. .... D12/184
- D601,934 S \* 10/2009 Ellis et al. .... D12/184
- D606,919 S \* 12/2009 Sahs ..... D12/184
- D607,798 S \* 1/2010 Weil ..... D12/184
- D671,871 S \* 12/2012 Ohkoshi ..... D12/184
- D672,295 S \* 12/2012 Yamada et al. .... D12/184

\* cited by examiner

*Primary Examiner* — Susan M Lee  
*Assistant Examiner* — Linda Brooks  
(74) *Attorney, Agent, or Firm* — Parks IP Law LLC

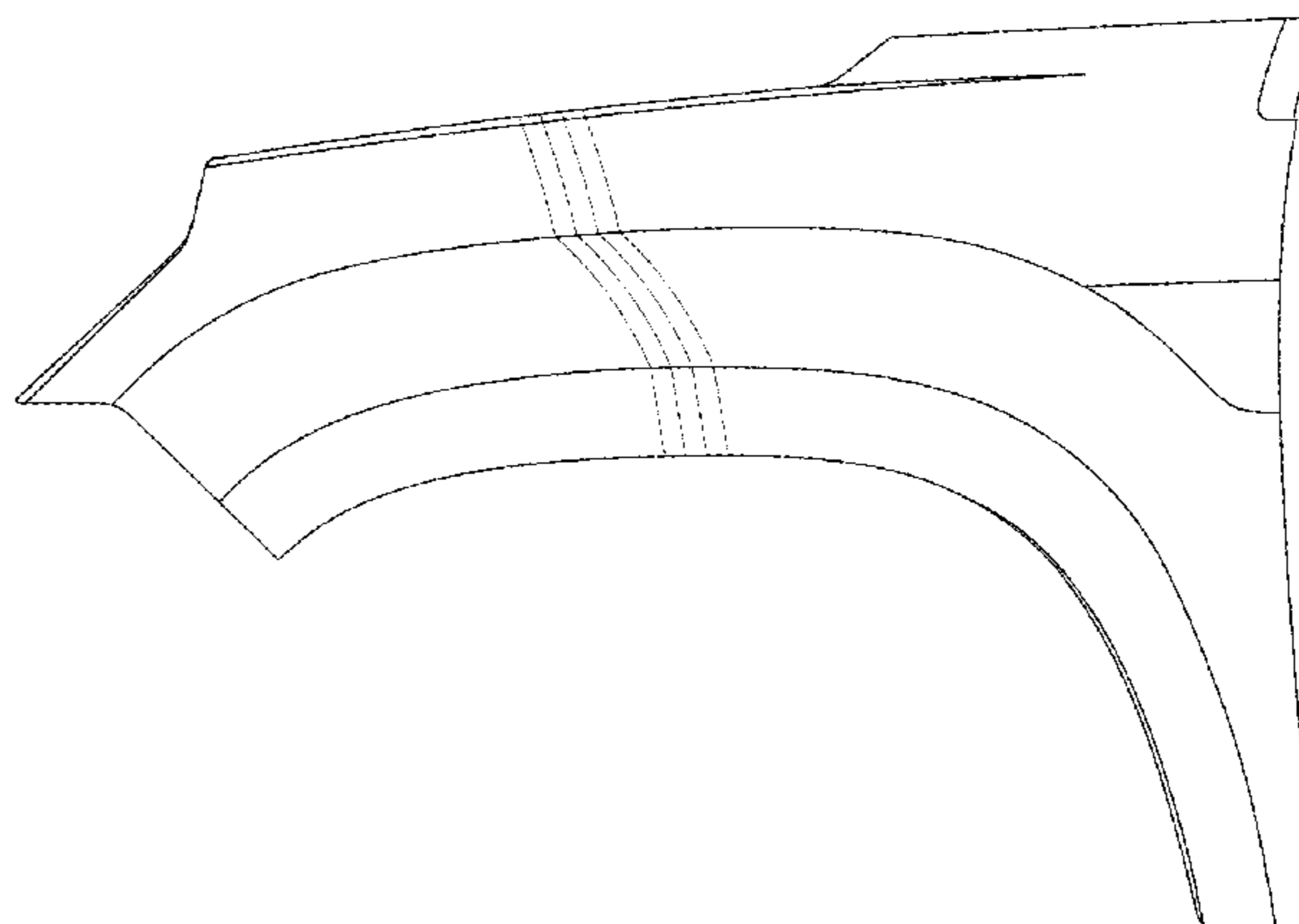
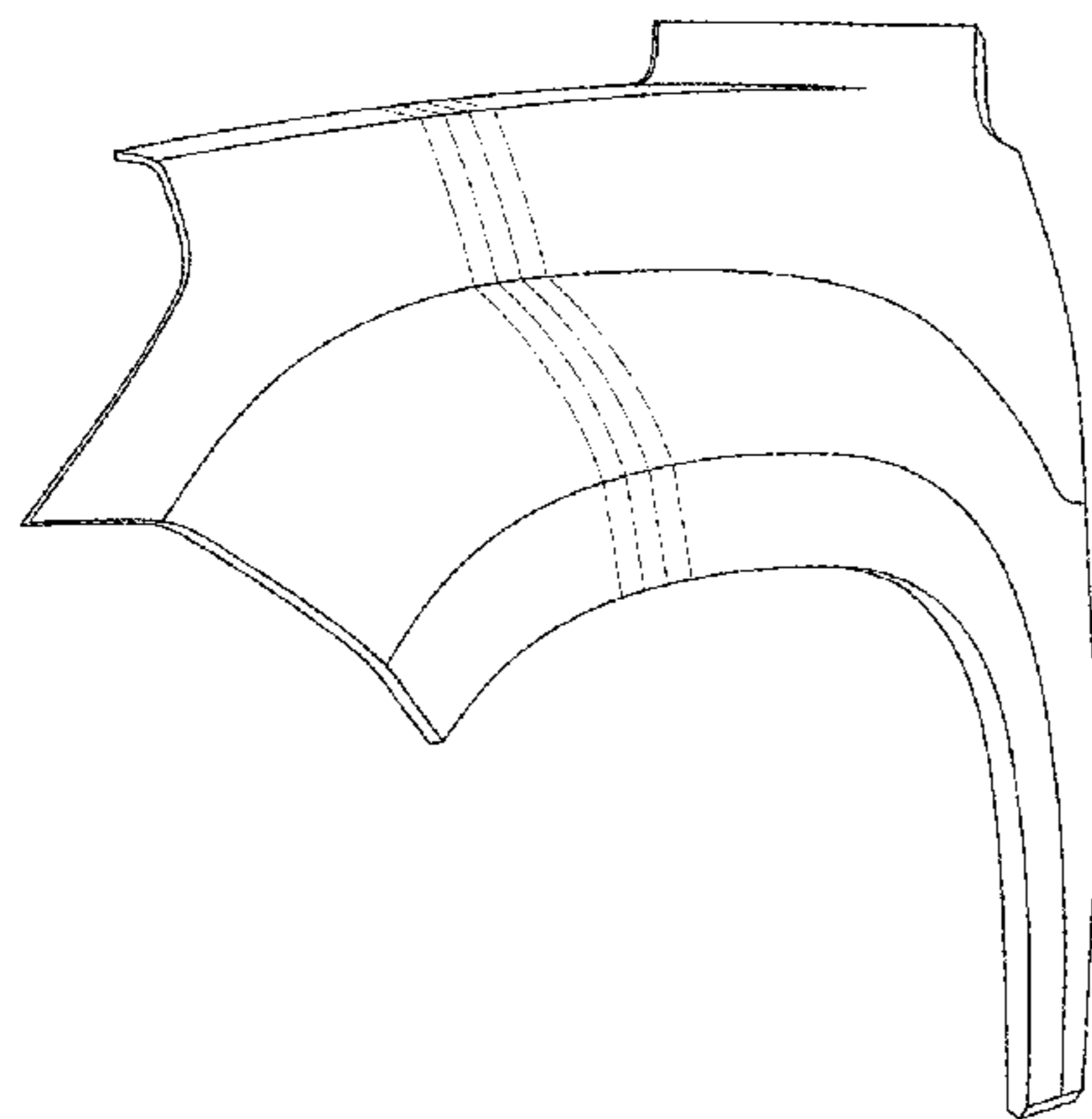
(57) **CLAIM**  
The ornamental design for a vehicle fender, as shown and described.

**DESCRIPTION**

FIG. 1 is perspective view of a vehicle fender showing the new design;  
FIG. 2 is a front view, thereof;  
FIG. 3 is a side view, thereof; and,  
FIG. 4 is a top plan view, thereof.  
In the figures, features shown by broken lines are for illustrative purposes only and form no part of the claimed design.

**1 Claim, 1 Drawing Sheet**

- (56) **References Cited**  
U.S. PATENT DOCUMENTS  
D536,648 S \* 2/2007 Fujimaki ..... D12/184  
D562,201 S \* 2/2008 Gresens et al. .... D12/184



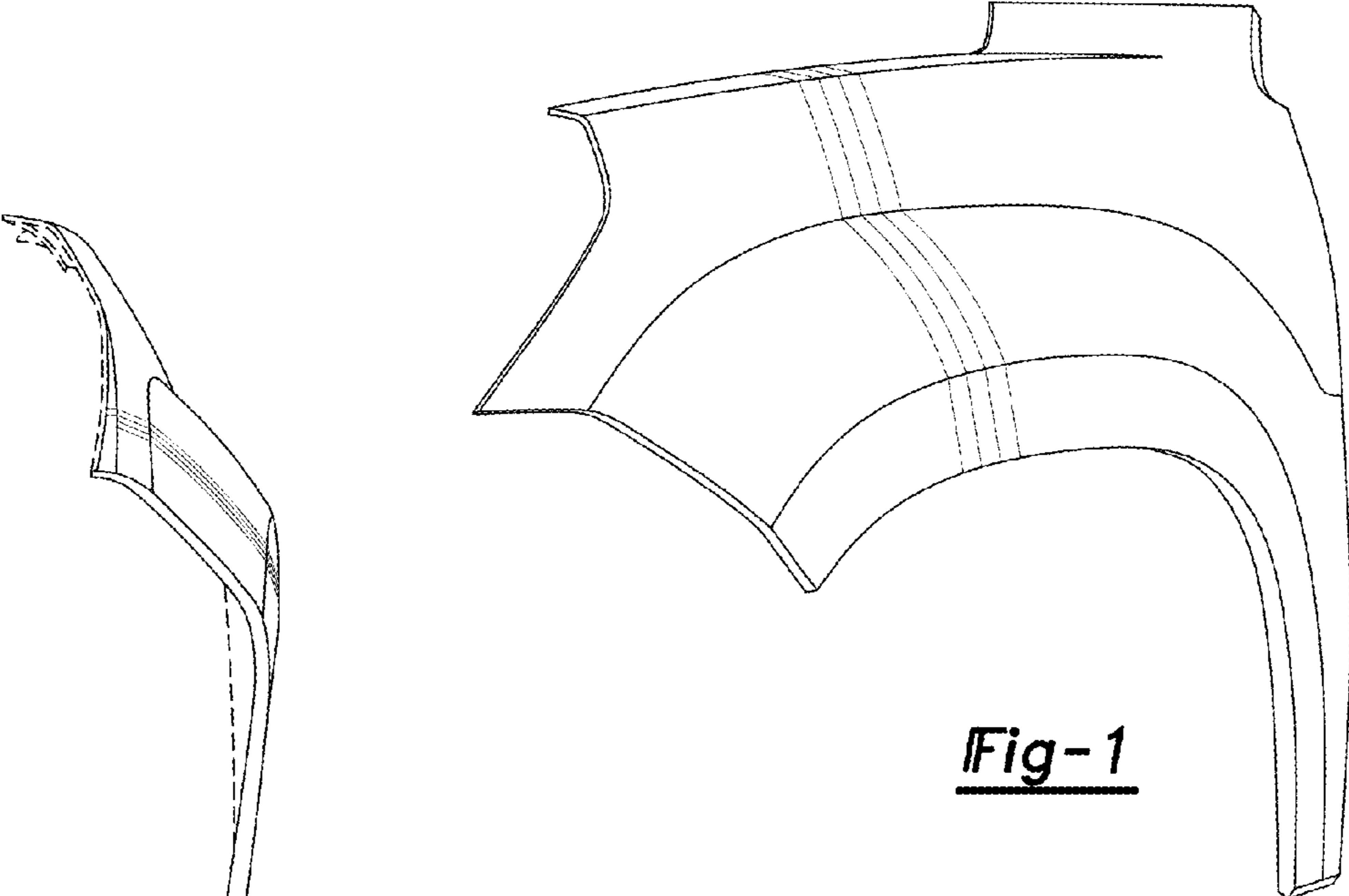


Fig-1

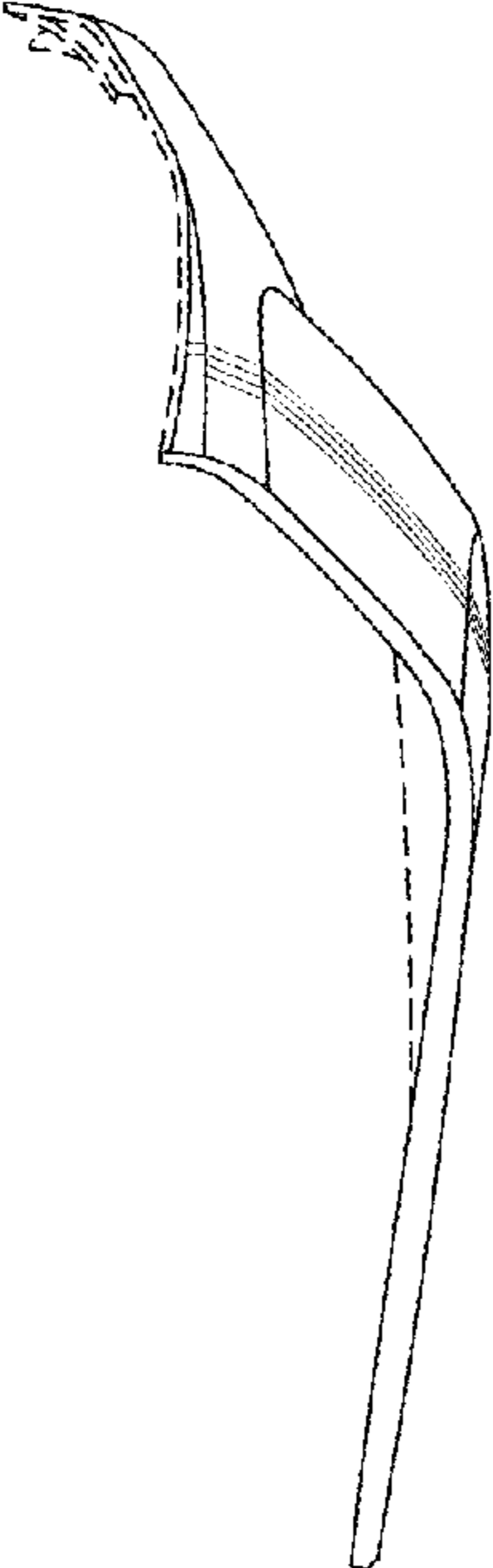


Fig-2

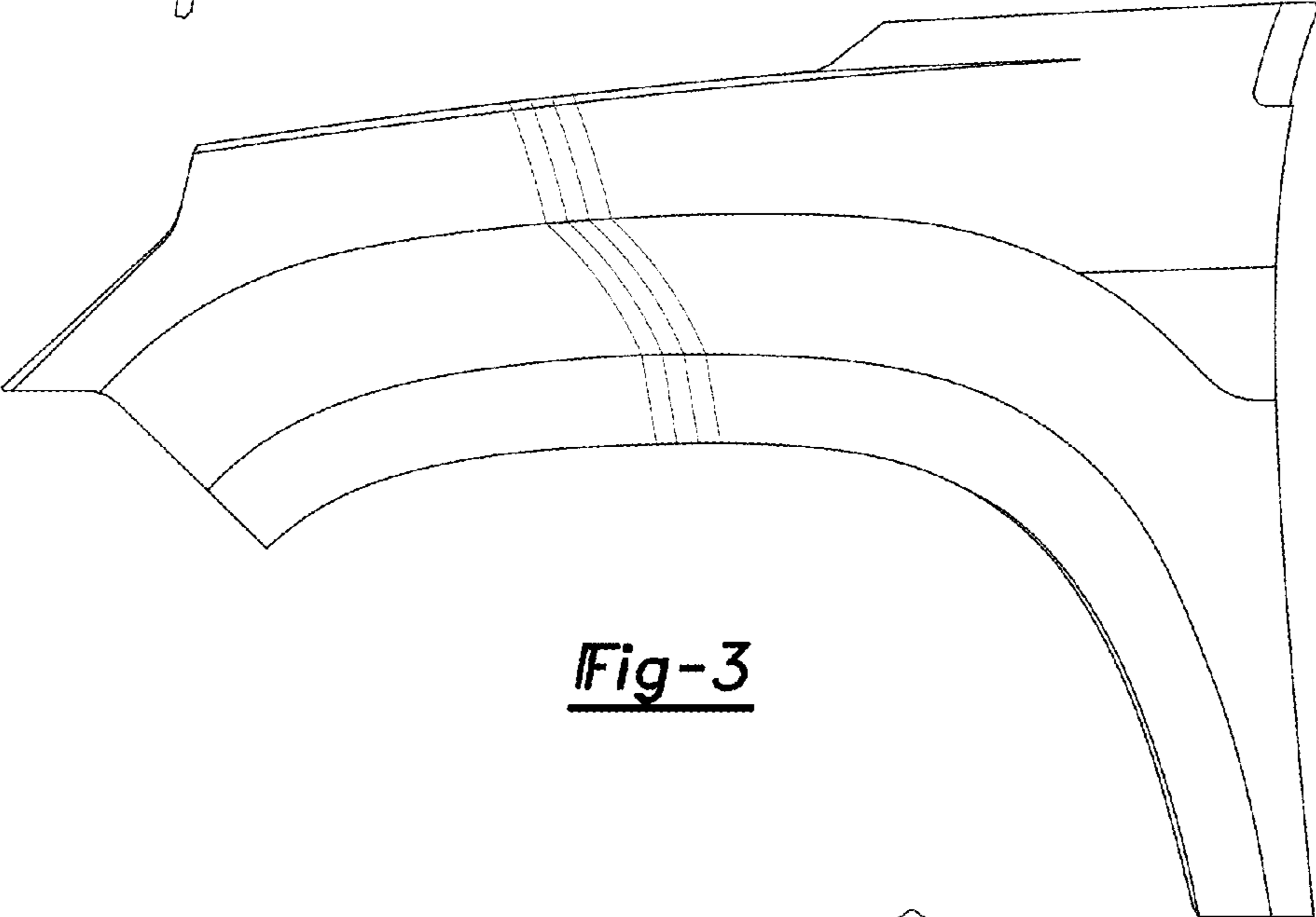


Fig-3

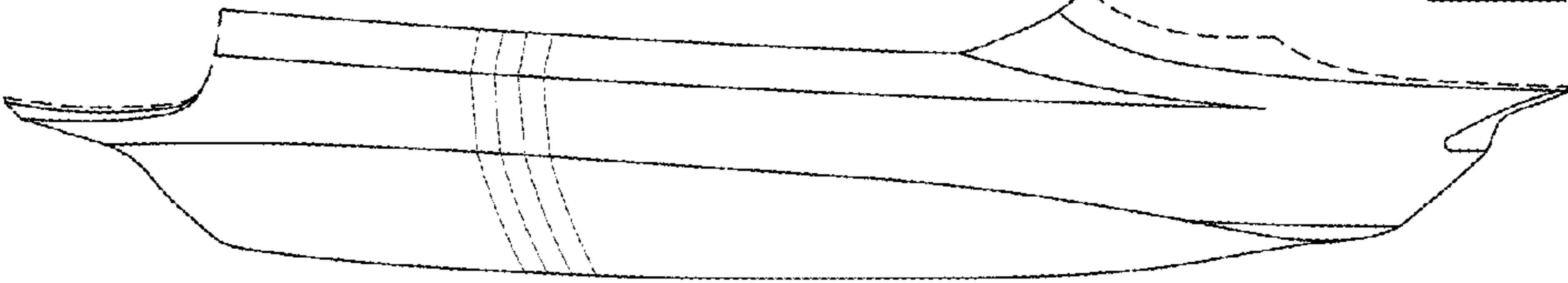


Fig-4