



US00D695171S

(12) **United States Design Patent**
Riggs et al.

(10) **Patent No.:** **US D695,171 S**

(45) **Date of Patent:** **** Dec. 10, 2013**

- (54) **FENDER OF A TRUCK VEHICLE**
- (75) Inventors: **Robert B. Riggs**, St. Charles, IL (US);
Christian Michael Hardin, Waterford,
MI (US); **Robert Paul Scott**, Aurora, IL
(US)
- (73) Assignee: **International Truck Intellectual
Property Company, LLC**, Lisle, IL
(US)

D546,253 S *	7/2007	Lee et al.	D12/184
D549,624 S *	8/2007	Jones	D12/184
D591,656 S *	5/2009	Golden et al.	D12/184
D612,308 S *	3/2010	Beigel et al.	D12/181
D612,309 S *	3/2010	Beigel et al.	D12/184
D615,472 S *	5/2010	Maher et al.	D12/196
D623,103 S *	9/2010	Braga	D12/181
D641,298 S *	7/2011	Beigel et al.	D12/181
D644,581 S *	9/2011	Beigel et al.	D12/181
D644,972 S *	9/2011	Beigel et al.	D12/181
D654,417 S *	2/2012	Peltola et al.	D12/196

* cited by examiner

(**) Term: **14 Years**

(21) Appl. No.: **29/430,368**

(22) Filed: **Aug. 24, 2012**

(51) **LOC (9) Cl.** **12-16**

(52) **U.S. Cl.**
USPC **D12/184**

(58) **Field of Classification Search**
USPC D12/88, 101, 102, 106, 181, 184, 190,
D12/191, 196; 280/414.1-414.3, 727, 770,
280/847-849; 296/91, 180.1-180.5;
180/903

See application file for complete search history.

(56) **References Cited**

U.S. PATENT DOCUMENTS

D340,214 S *	10/1993	Lawrence	D12/184
D491,858 S *	6/2004	Velazco	D12/196
D524,204 S	7/2006	Beigel	

Primary Examiner — Philip S Hyder

Assistant Examiner — Darlington Ly

(74) *Attorney, Agent, or Firm* — Jeffrey P. Calfa; Mark C.
Bach; Gerald W. Askew

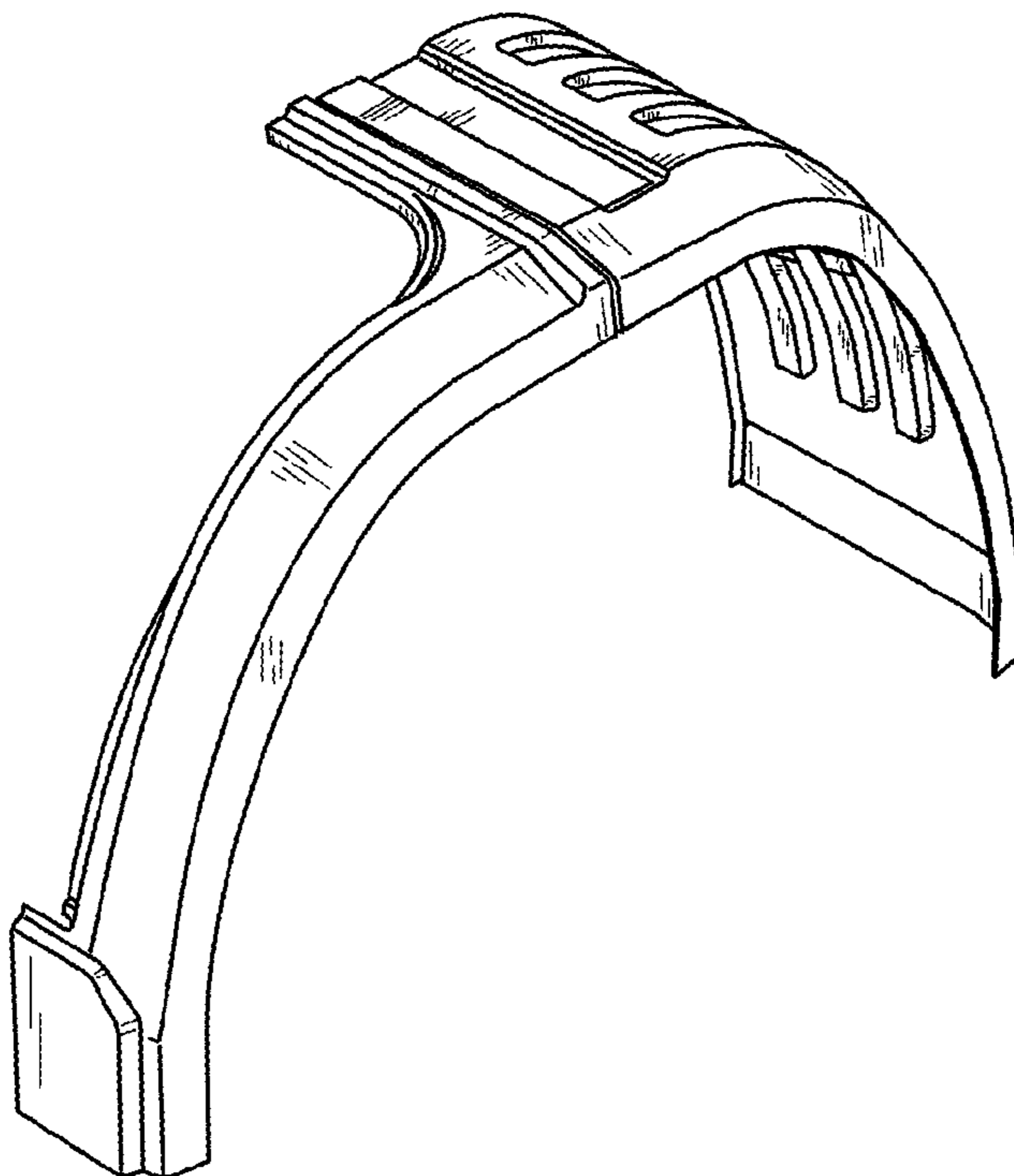
(57) **CLAIM**

The ornamental design for a fender of a truck vehicle, as shown and described.

DESCRIPTION

FIG. 1 is a front and right side perspective view of a fender of a truck vehicle showing our new design; FIG. 2 is a right side elevation view thereof; FIG. 3 is a left side elevation view thereof; FIG. 4 is a front elevation view thereof; FIG. 5 is a rear elevation view thereof; and FIG. 6 is a top plan view thereof; and, FIG. 7 is a rear and right side perspective view thereof.

1 Claim, 3 Drawing Sheets



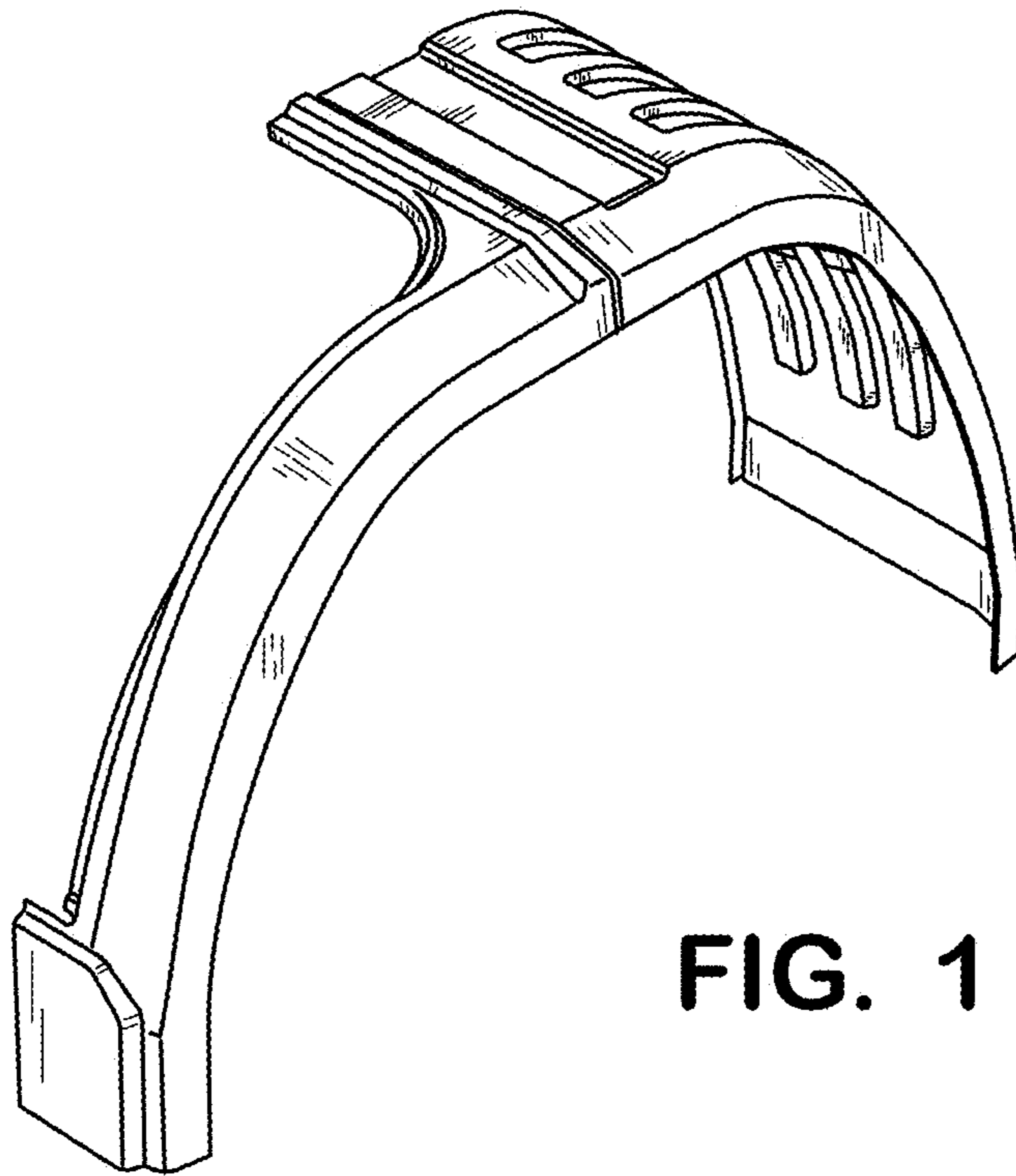


FIG. 1

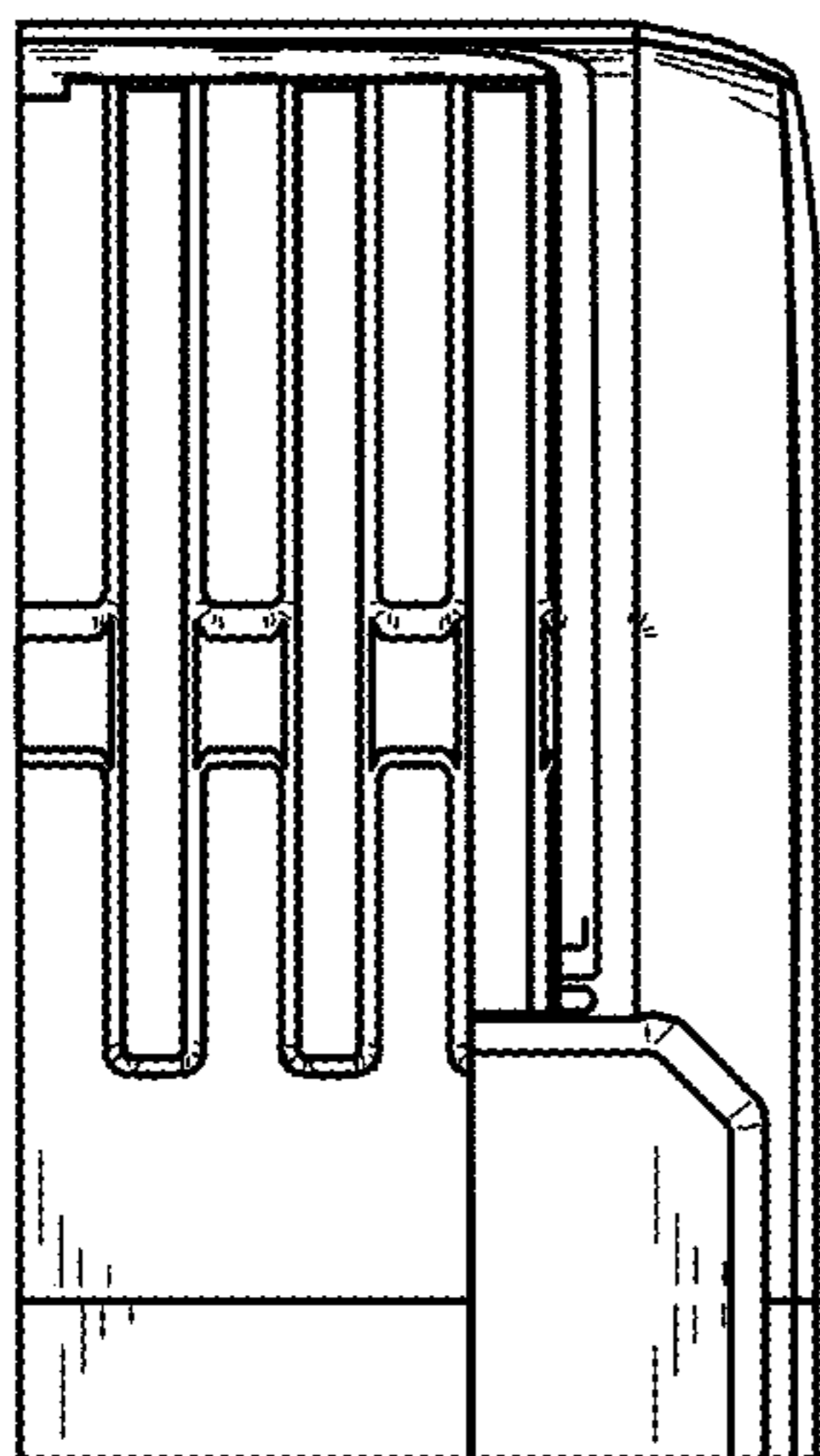


FIG. 2

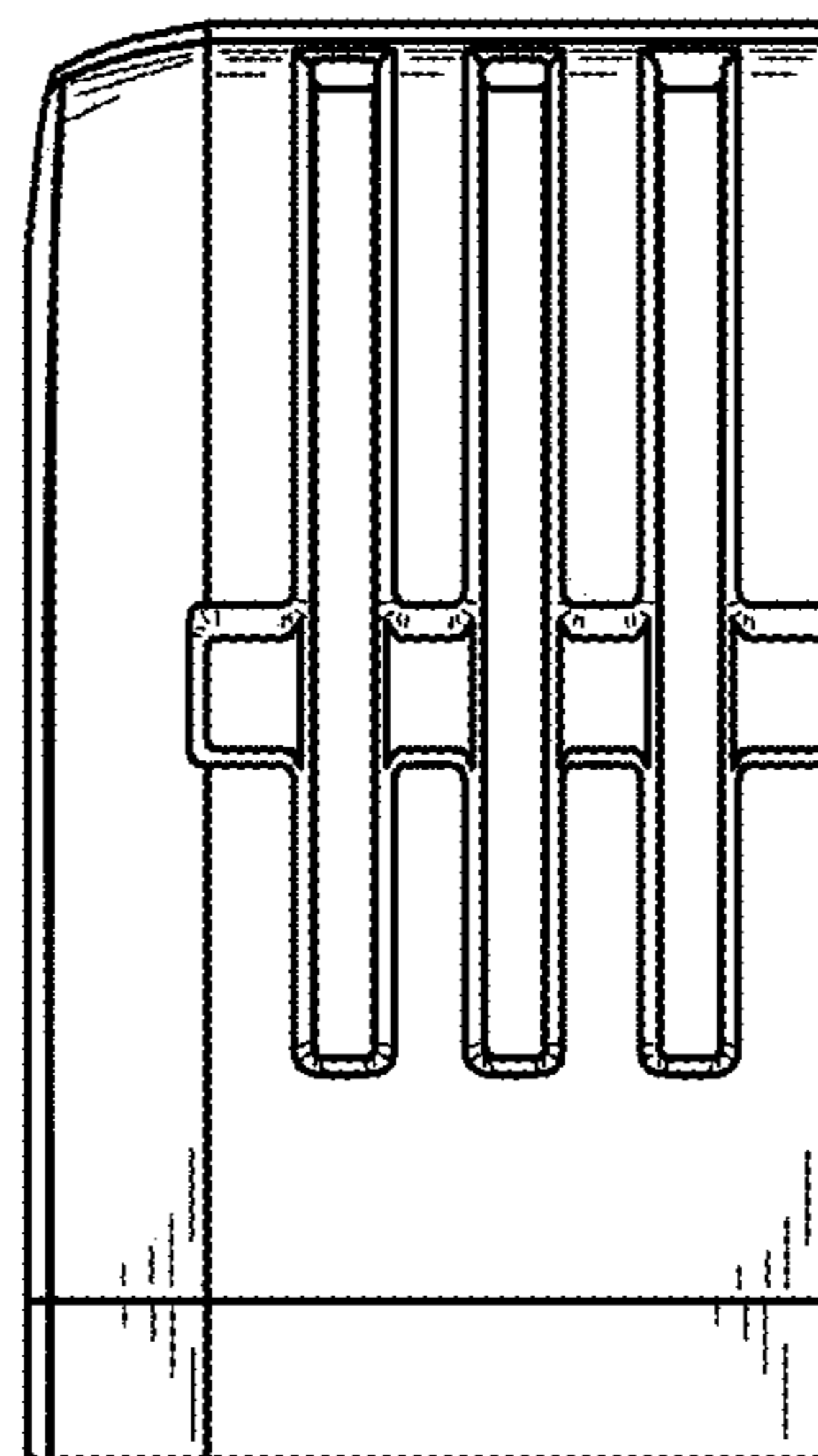


FIG. 3

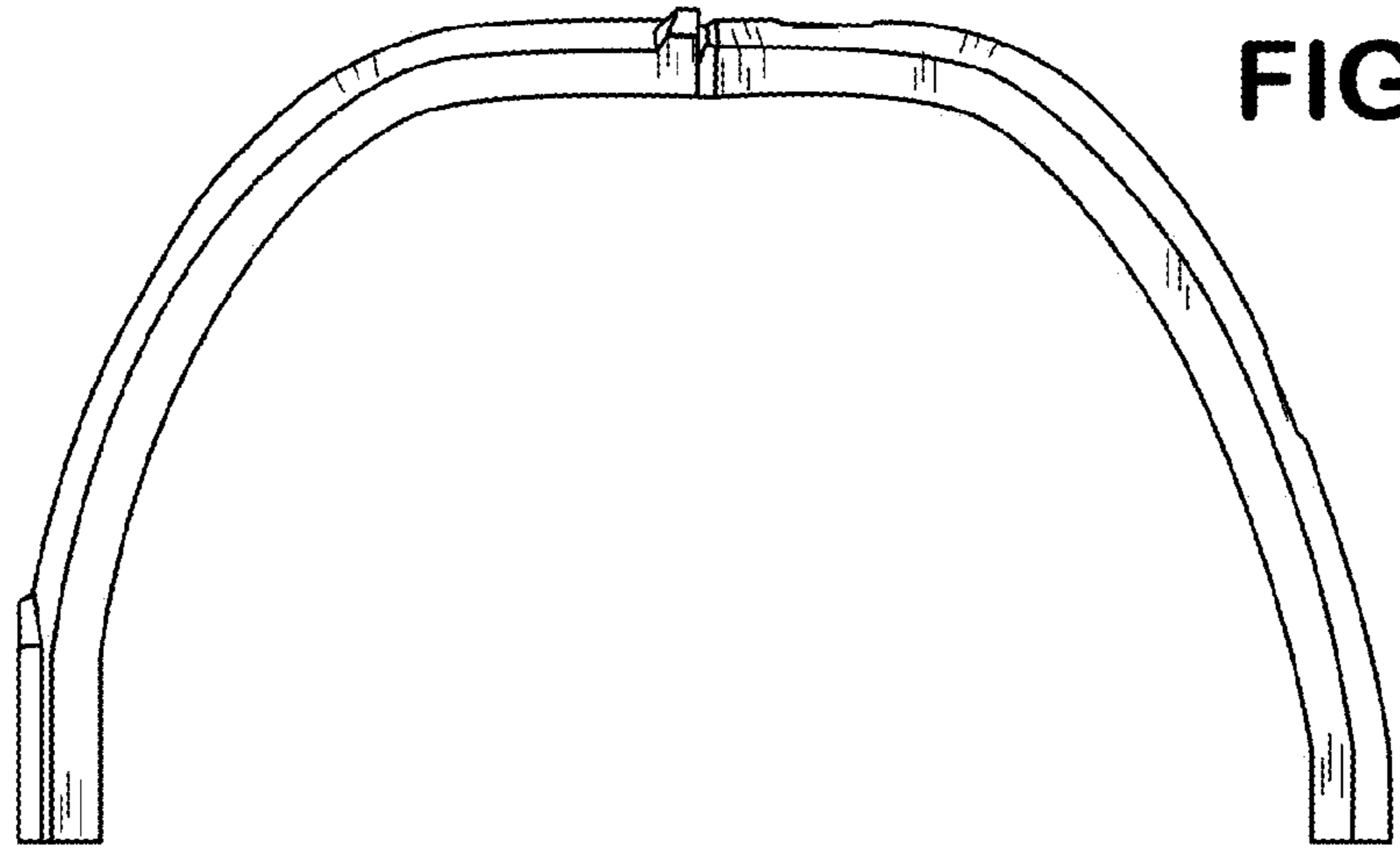


FIG. 4

FIG. 5

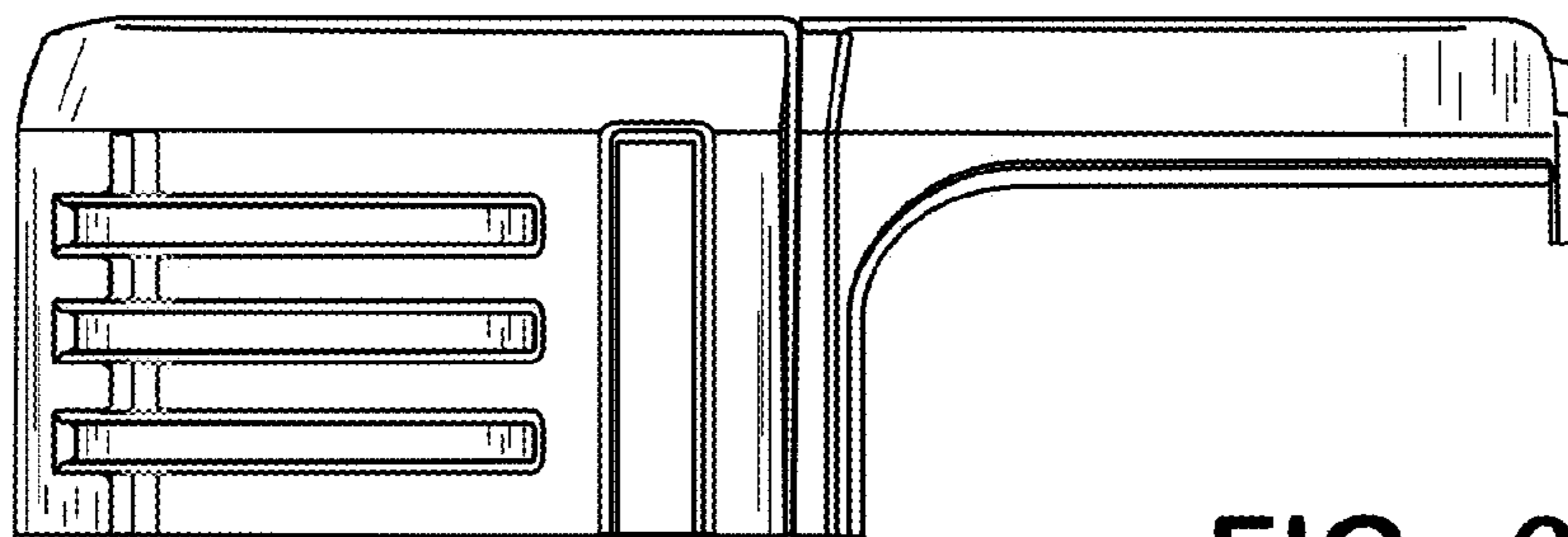
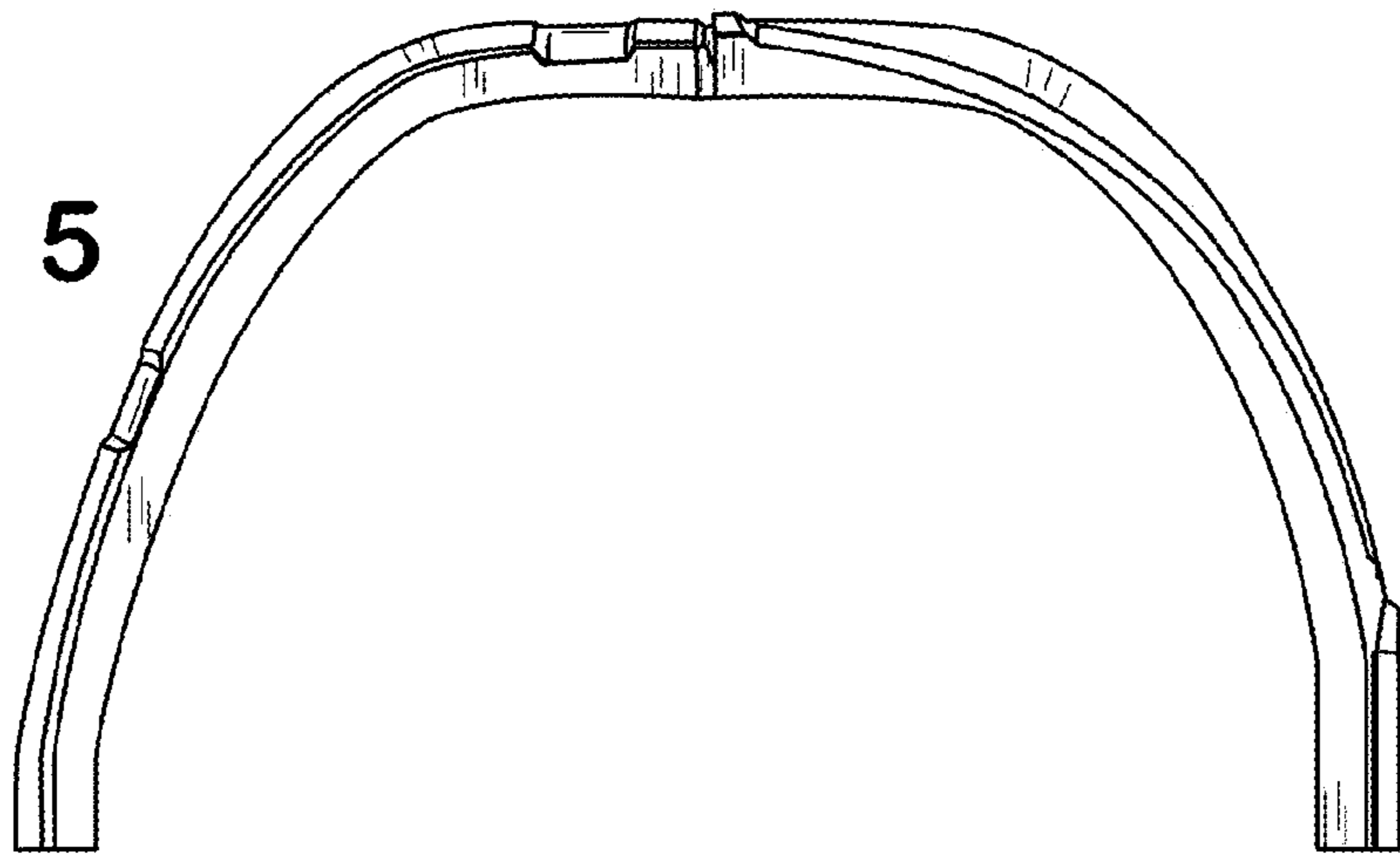


FIG. 6

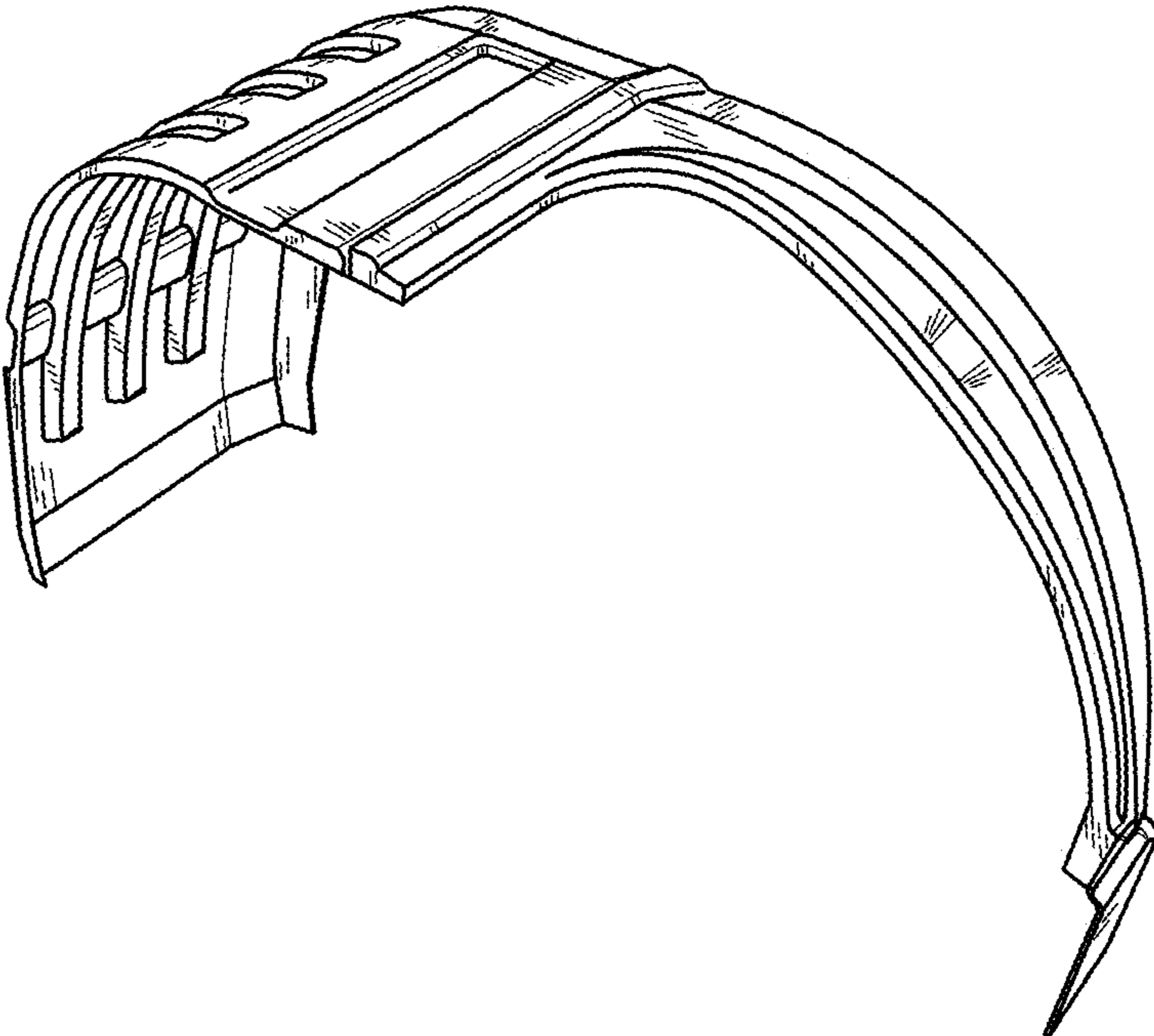


FIG. 7