



US00D695167S

(12) **United States Design Patent**
Platto et al.

(10) **Patent No.:** **US D695,167 S**
(45) **Date of Patent:** **** Dec. 10, 2013**

(54) **VEHICLE FRONT BUMPER FASCIA**

FOREIGN PATENT DOCUMENTS

(71) Applicant: **Ford Motor Company**, Dearborn, MI (US)

DE 102004057214 A1 * 6/2006 B60R 19/18

(72) Inventors: **Gordon M Platto**, Troy, MI (US); **Brad Alan Richards**, Bloomfield Hills, MI (US); **Dong Park**, Royal Oak, MI (US); **Jonathan Fontaine**, Royal Oak, MI (US)

OTHER PUBLICATIONS

Ron Sessions. Ford Atlas Concept. Jan. 15, 2013 [online], [retrieved on Aug. 15, 2013]. Retrieved from the Internet <URL: <http://www.caranddriver.com/news/ford-atlas-concept-photos-and-info-news>>.*

Ford Atlas Concept. Ford Press Kit. Jan. 14, 2013 [online], [retrieved on Aug. 15, 2013]. Retrieved from the Internet <URL: <http://fordatlasconcept.fordpresskits.com/enhanced.htm>>.*

(73) Assignee: **Ford Motor Company**, Dearborn, MI (US)

Siler, Steve, <http://www.caranddriver.com/news/2011-ford-f-series-super-duty-official-photos-and-info>, 2011 Ford F-Series Super Duty, Sep. 2009, pp. 1-3.

(**) Term: **14 Years**

* cited by examiner

(21) Appl. No.: **29/440,455**

(22) Filed: **Dec. 21, 2012**

Primary Examiner — Philip S Hyder

Assistant Examiner — Darlington Ly

(51) **LOC (9) Cl.** **12-16**

(52) **U.S. Cl.**

(74) *Attorney, Agent, or Firm* — Damian Porcari; Brooks Kushman P.C.

USPC **D12/169**

(58) **Field of Classification Search**

(57) **CLAIM**

USPC D12/90, 91, 92, 169, 196; 180/68.1, 180/68.6; 296/102, 113, 115, 193.11

The ornamental design for a vehicle front bumper fascia, as shown and described.

See application file for complete search history.

DESCRIPTION

(56) **References Cited**

U.S. PATENT DOCUMENTS

D437,811 S	*	2/2001	O'Connell et al.	D12/169
D455,987 S	*	4/2002	Hayashi	D12/169
D484,443 S	*	12/2003	Hattori	D12/169
D497,124 S	*	10/2004	Platto et al.	D12/169
D497,853 S	*	11/2004	Yanase	D12/169
D504,852 S	*	5/2005	Kubota	D12/169
D506,712 S	*	6/2005	Suzuki	D12/169
D513,213 S	*	12/2005	Sato	D12/169
D522,938 S	*	6/2006	Iwanaga	D12/169
D532,727 S	*	11/2006	Schiavone et al.	D12/169
D537,391 S	*	2/2007	Shimoguchi et al.	D12/169
D544,417 S	*	6/2007	Kono	D12/169
D570,748 S	*	6/2008	Nakamura et al.	D12/169

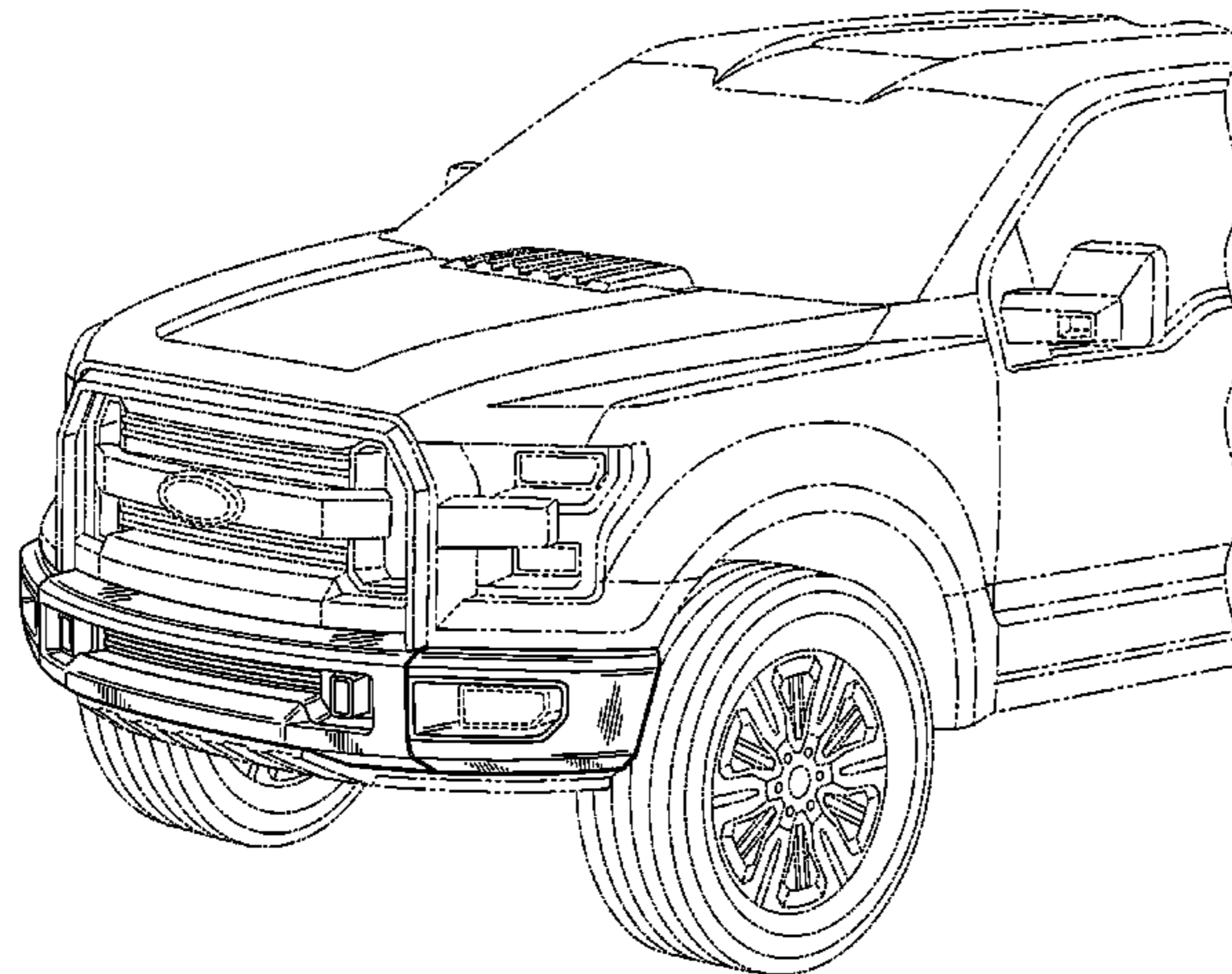
FIG. 1 is a front perspective view of a vehicle front bumper fascia in accordance with an embodiment of the present invention;

FIG. 2 is a front/left side perspective view of the vehicle front bumper fascia of FIG. 1, wherein a front/right side perspective view is a mirror image thereof; and,

FIG. 3 is a left side perspective view of the vehicle front bumper fascia of FIG. 1, wherein a right side perspective view is a mirror image thereof.

The broken lines shown in the drawings illustrate portions of the vehicle front bumper fascia that forms no part of claimed design.

1 Claim, 3 Drawing Sheets



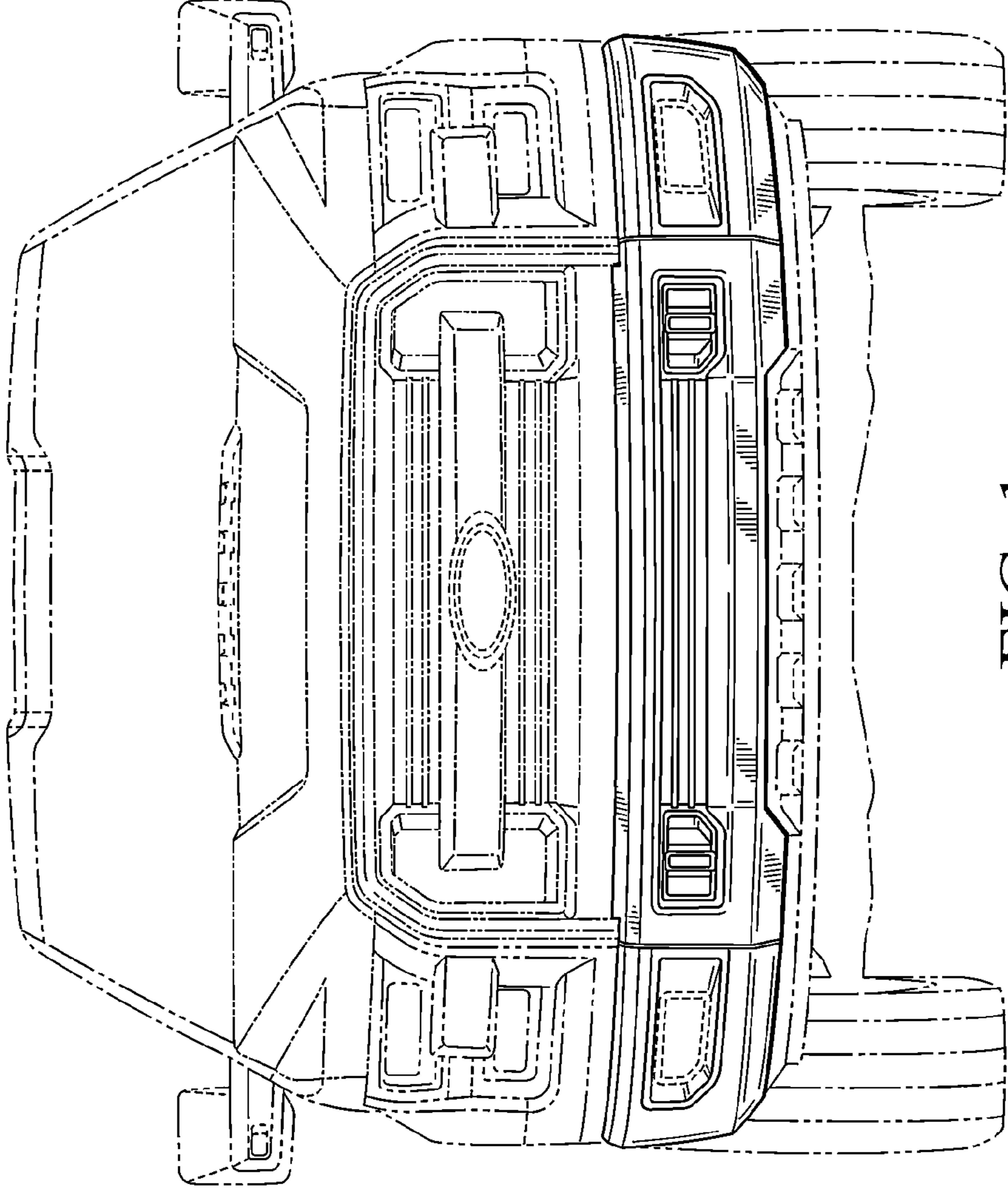


FIG. 1

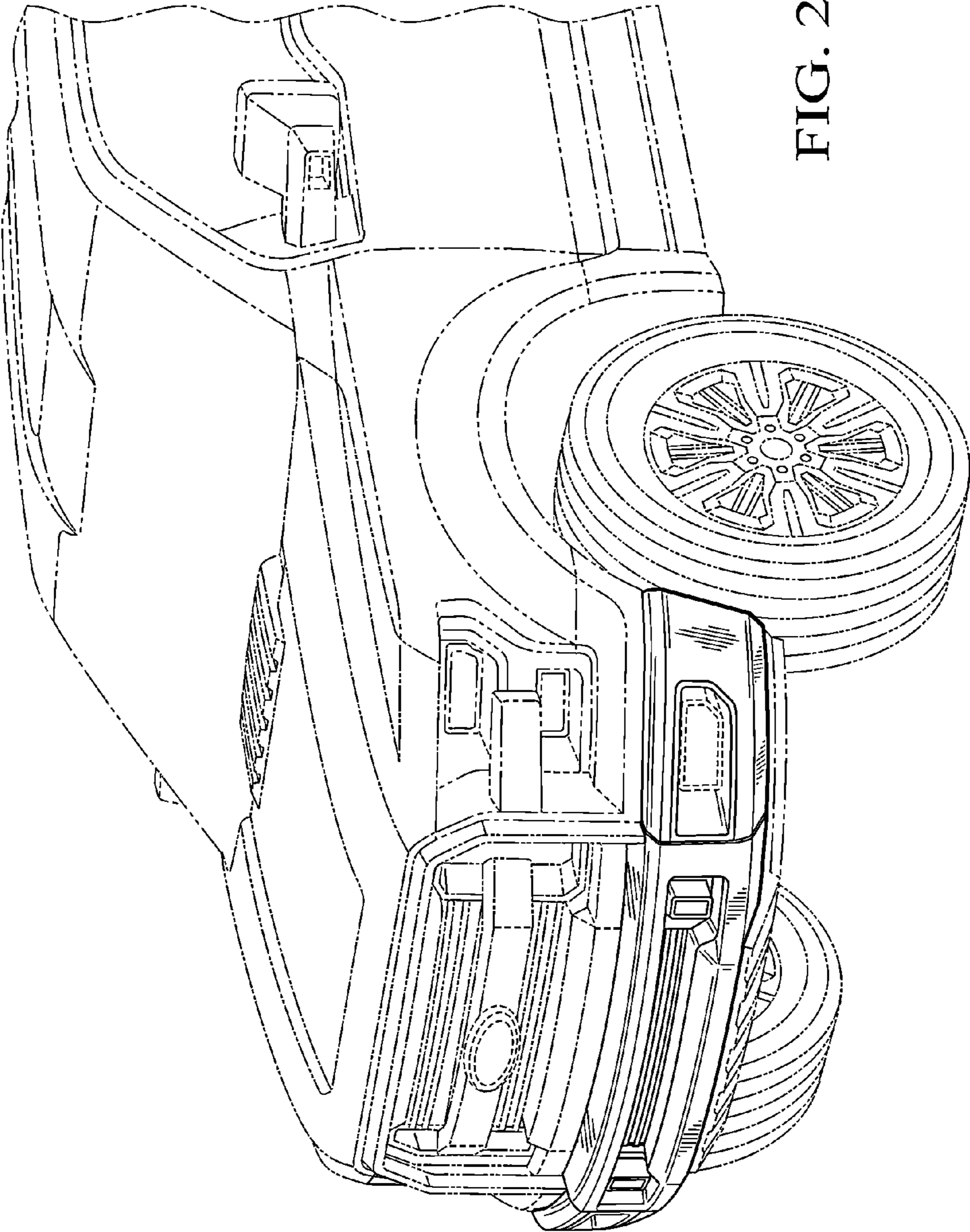


FIG. 2

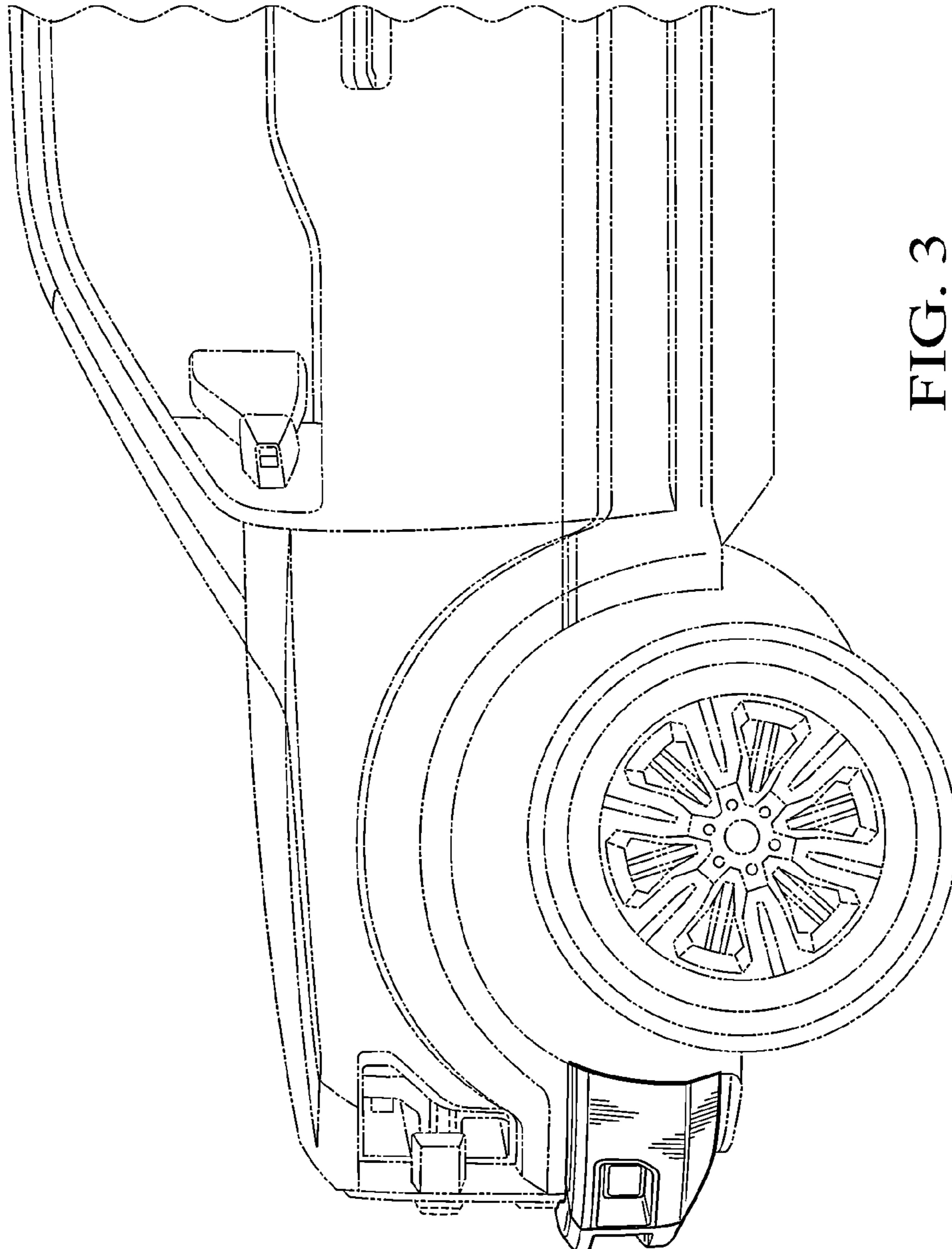


FIG. 3