

US00D695164S

(12) **United States Design Patent**  
**Futschik et al.**

(10) **Patent No.:** **US D695,164 S**

(45) **Date of Patent:** **\*\* Dec. 10, 2013**

(54) **REAR BUMPER DIFFUSER FOR A VEHICLE**

(75) Inventors: **Hans-Dieter Futschik**, Stuttgart (DE);  
**Robert Lesnik**, Stuttgart (DE); **Volker Leutz**, Stuttgart (DE)

(73) Assignee: **Daimler AG**, Stuttgart (DE)

(\*\*) Term: **14 Years**

(21) Appl. No.: **29/416,963**

(22) Filed: **Mar. 29, 2012**

(30) **Foreign Application Priority Data**

Sep. 30, 2011 (DE) ..... 402011004824

(51) **LOC (9) Cl.** ..... **12-16**

(52) **U.S. Cl.**  
USPC ..... **D12/169**

(58) **Field of Classification Search**  
USPC ..... D12/86, 88, 90, 91, 92, 163, 169, 171,  
D12/196, 216; 293/102, 113, 115, 117, 120;  
296/181.1, 181.5

See application file for complete search history.

(56) **References Cited**

**U.S. PATENT DOCUMENTS**

6,435,298 B1 \* 8/2002 Mizuno et al. .... 180/346  
D516,975 S \* 3/2006 Baum ..... D12/169  
D543,920 S \* 6/2007 Lai ..... D12/196  
D545,732 S \* 7/2007 Truebsbach ..... D12/169  
D623,993 S \* 9/2010 Miyazawa et al. .... D12/169  
D640,613 S 6/2011 Bauer et al.  
D640,617 S \* 6/2011 Furst ..... D12/169  
D643,339 S 8/2011 Burki et al.  
D643,348 S 8/2011 Burki et al.  
D643,349 S \* 8/2011 Schell et al. .... D12/169

D643,789 S \* 8/2011 Bauer et al. .... D12/169  
D670,606 S 11/2012 Frenzel et al.  
D670,621 S 11/2012 Frenzel et al.  
D670,625 S \* 11/2012 Frei et al. .... D12/169  
D671,047 S \* 11/2012 Davidson et al. .... D12/169  
D671,050 S \* 11/2012 Davidson et al. .... D12/169  
D671,051 S \* 11/2012 Davidson et al. .... D12/169  
8,366,178 B2 \* 2/2013 Yamagishi et al. .... 296/180.1

**OTHER PUBLICATIONS**

2011-2014 Sonata Performance Rear Diffuser—Type 2. Shark Racing Gallery. Mar. 12, 2012 [online], [retrieved on Mar. 8, 2013]. Retrieved from the Internet <URL: [http://sharkracing.com/acecart/bin/shop.cgi?action=view&itemID=diffuser\\_4&cate=012101000](http://sharkracing.com/acecart/bin/shop.cgi?action=view&itemID=diffuser_4&cate=012101000)>.\*

\* cited by examiner

*Primary Examiner* — Philip S Hyder

*Assistant Examiner* — Darlington Ly

(74) *Attorney, Agent, or Firm* — Crowell & Moring LLP

(57) **CLAIM**

The ornamental design for a rear bumper diffuser for a vehicle, as shown and described.

**DESCRIPTION**

FIG. 1 is a left perspective view of a rear bumper diffuser for a vehicle according to our design;

FIG. 2 is a right perspective view thereof;

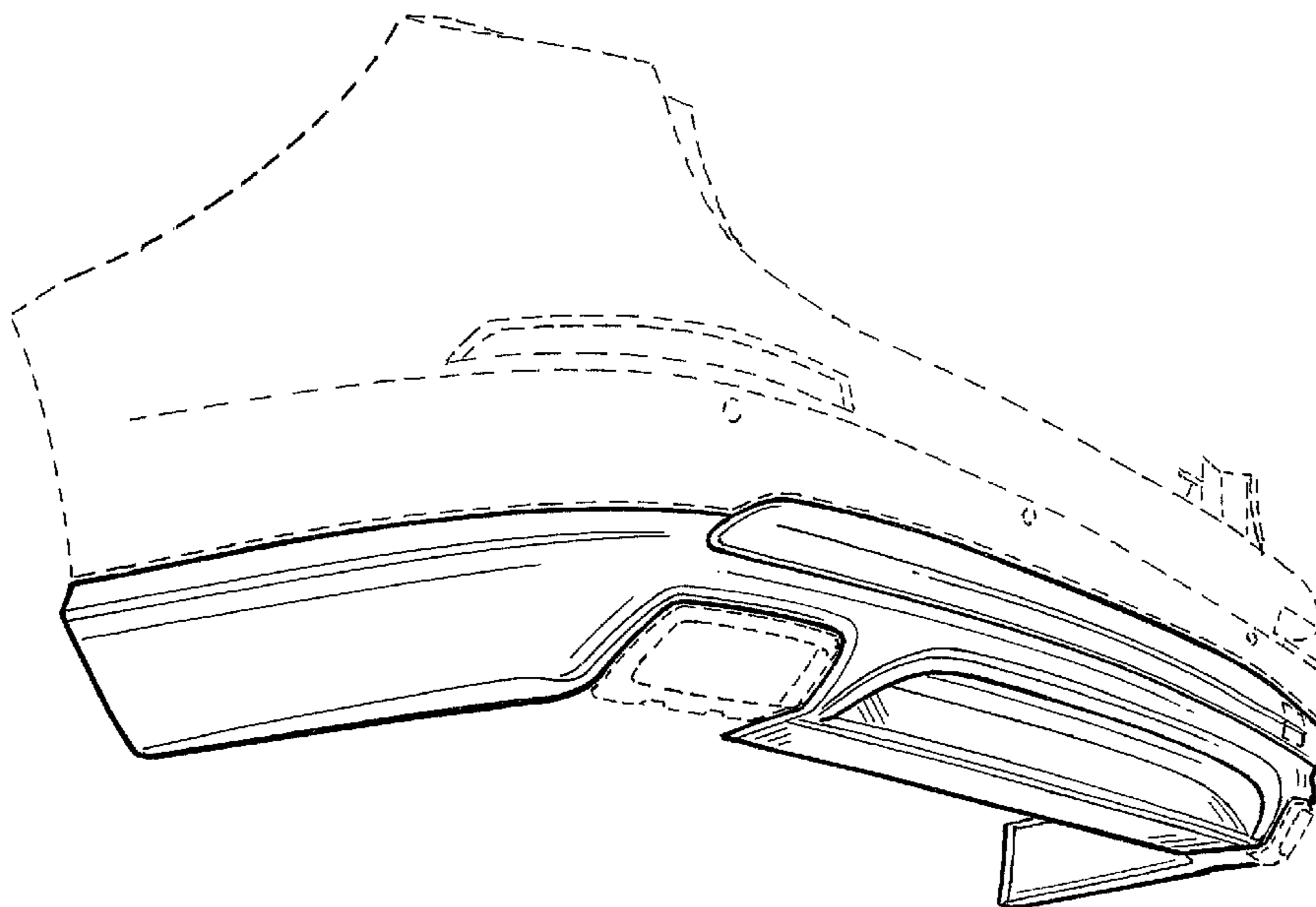
FIG. 3 is a bottom, left perspective view thereof;

FIG. 4 is a bottom, right perspective view thereof; and,

FIG. 5 is a front view thereof.

The broken lines shown in the drawings illustrate portions of the rear bumper diffuser for a vehicle that form no part of the claimed design.

**1 Claim, 5 Drawing Sheets**



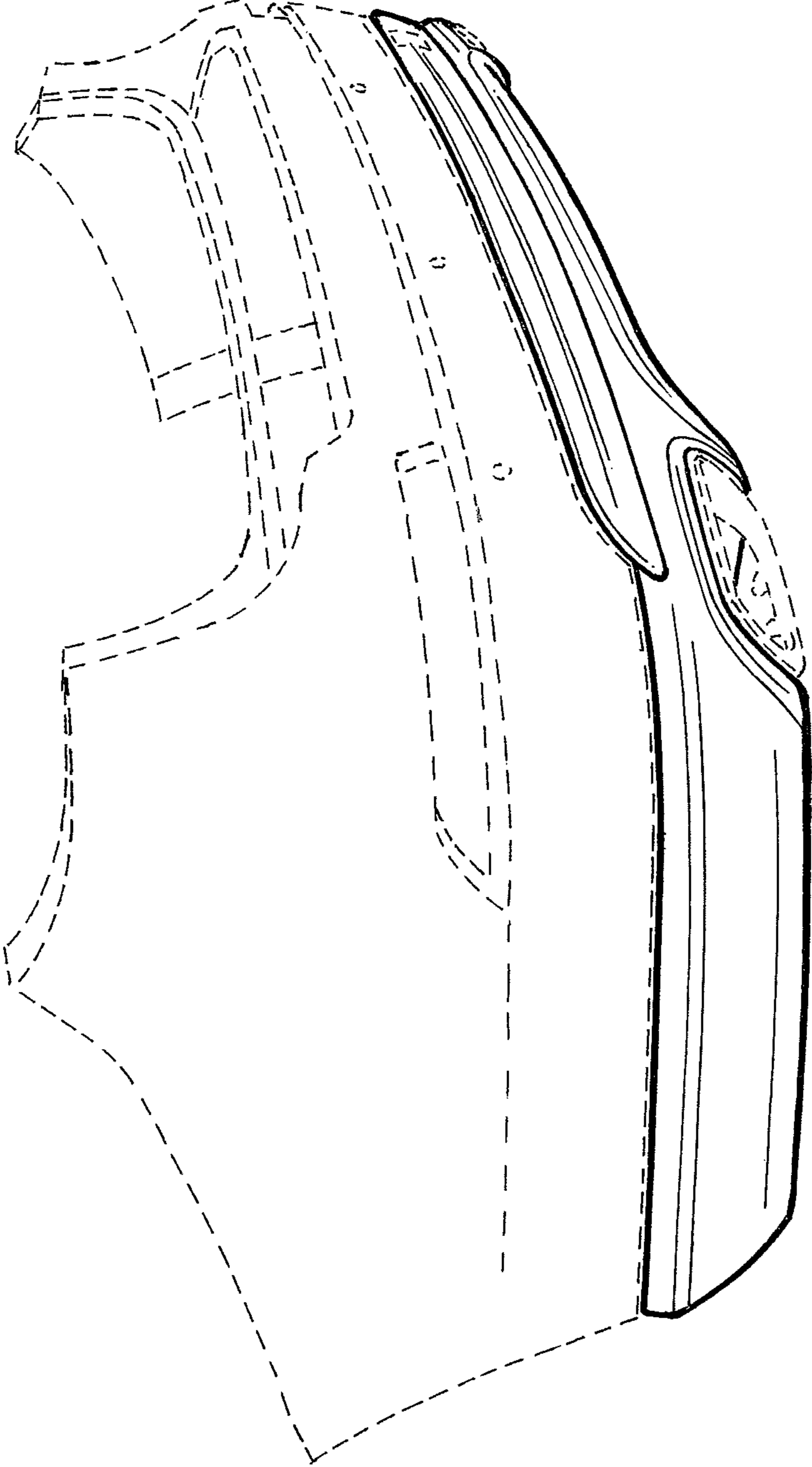


FIG. 1

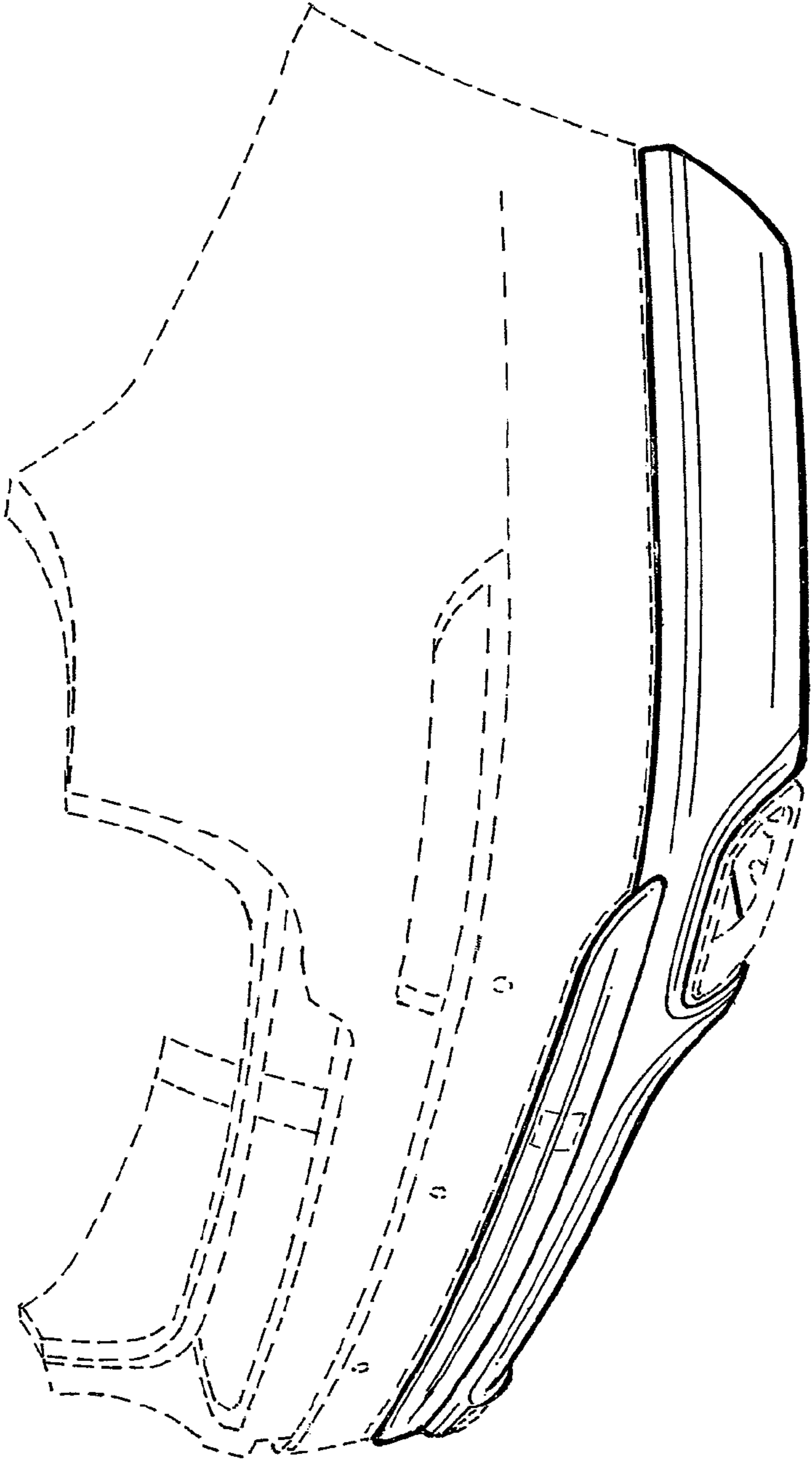


FIG. 2

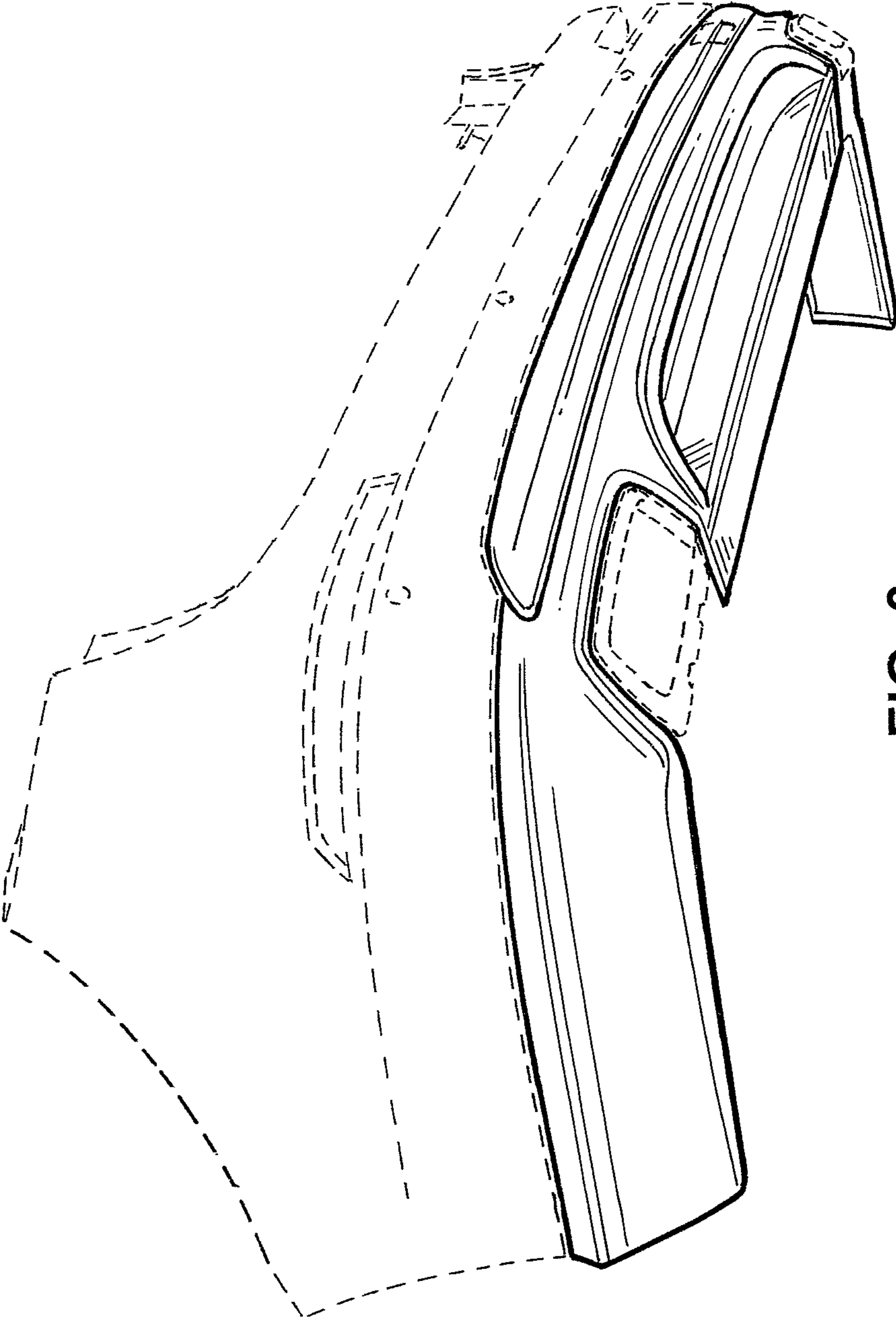


FIG. 3

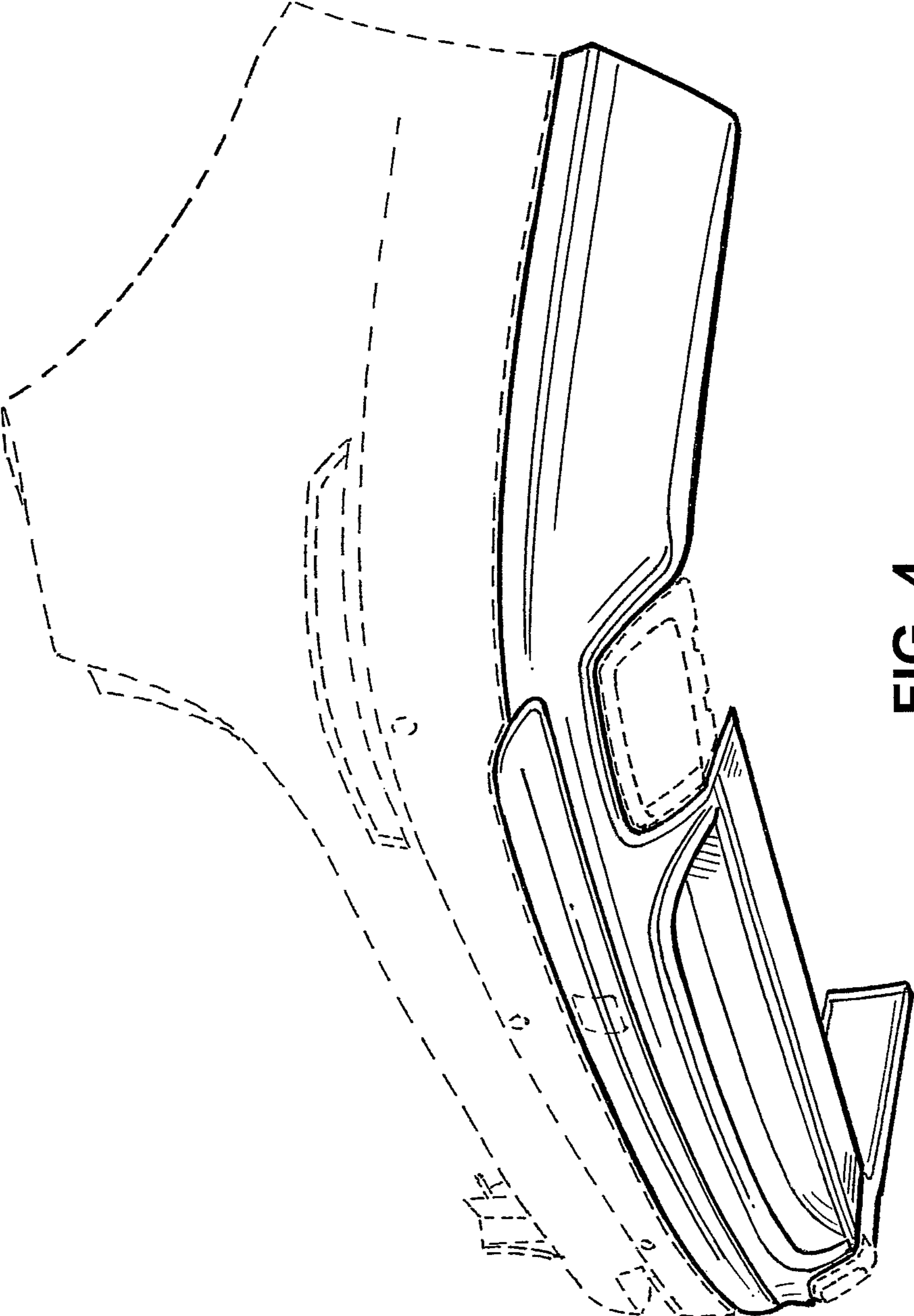


FIG. 4

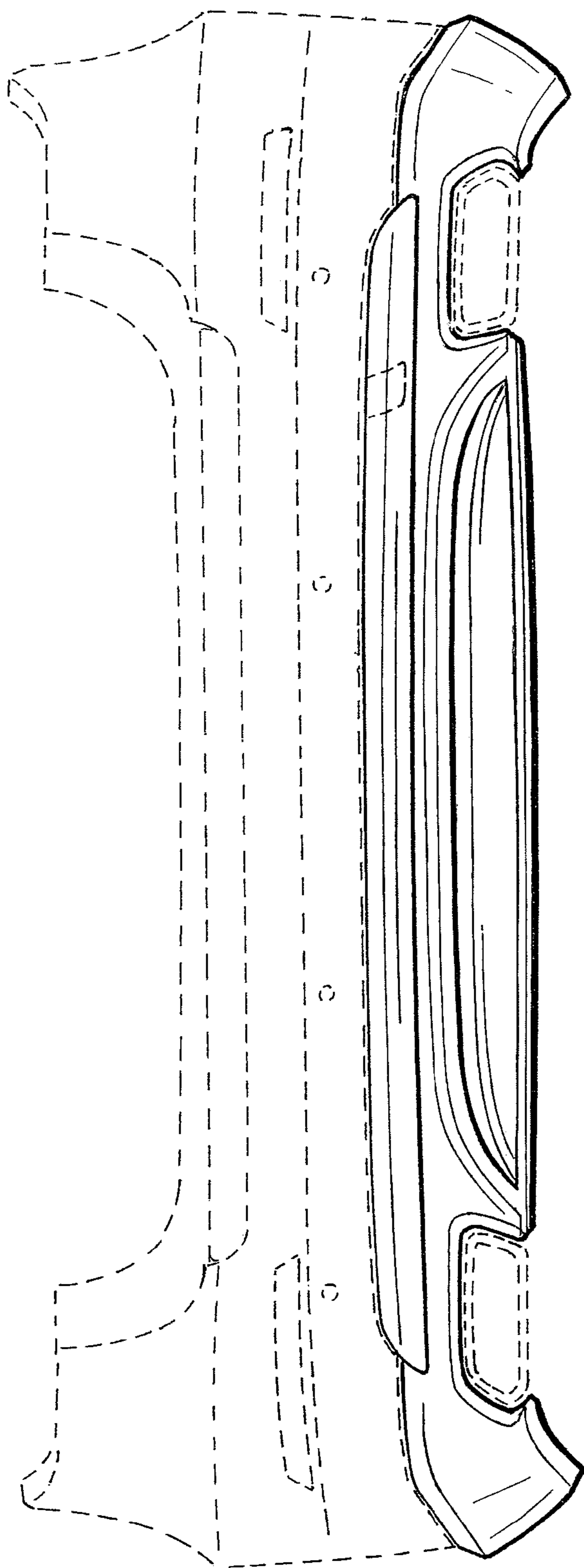


FIG. 5