



US00D695162S

(12) **United States Design Patent**
Scheinhütte et al.

(10) **Patent No.:** **US D695,162 S**

(45) **Date of Patent:** **** Dec. 10, 2013**

(54) **REAR BUMPER FOR MOTOR VEHICLE**

(75) Inventors: **Ingo Scheinhütte**, Eberdingen (DE);
Shuichi Yamashita, Gerlingen (DE)

(73) Assignee: **Dr. Ing. h.c. F. Porsche**
Aktiengesellschaft, Stuttgart (DE)

(**) Term: **14 Years**

(21) Appl. No.: **29/403,297**

(22) Filed: **Oct. 4, 2011**

(30) **Foreign Application Priority Data**

Apr. 4, 2011 (DE) 402011002572

(51) **LOC (9) Cl.** **12-16**

(52) **U.S. Cl.**
USPC **D12/169**

(58) **Field of Classification Search**
USPC D12/163, 171, 196, 216, 90-92, 86,
D12/164, 169; 293/102, 103, 105, 112, 113,
293/115, 117; 296/180.1, 180.2

See application file for complete search history.

(56) **References Cited**

U.S. PATENT DOCUMENTS

D610,503 S *	2/2010	Bucher et al.	D12/169
D637,535 S *	5/2011	Yukawa et al.	D12/169
D640,613 S *	6/2011	Bauer et al.	D12/169
D644,575 S *	9/2011	Messale	D12/169
D659,603 S	5/2012	Varga	
D659,605 S *	5/2012	Varga	D12/169
D659,608 S	5/2012	Robinson	
D680,475 S	4/2013	Scheinhütte	
D682,755 S	5/2013	Robinson	
D685,300 S	7/2013	Varga	

* cited by examiner

Primary Examiner — Melody Brown
(74) *Attorney, Agent, or Firm* — RatnerPrestia

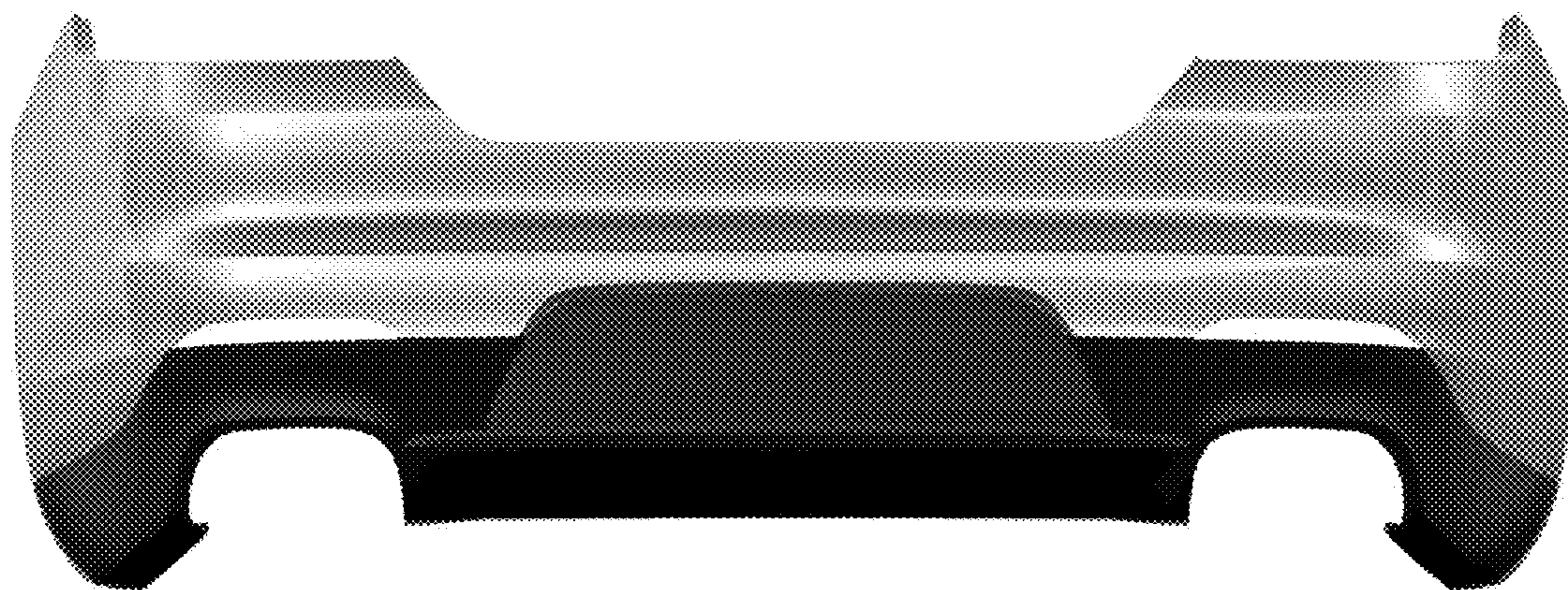
(57) **CLAIM**

The ornamental design for a rear bumper for motor vehicle, as shown and described.

DESCRIPTION

FIG. 1 is a perspective view of a rear bumper for motor vehicle;
FIG. 2 is a rear elevation view thereof;
FIG. 3 is a front elevation view thereof;
FIG. 4 is an elevation view from the left side thereof;
FIG. 5 is an elevation view from the right side thereof;
FIG. 6 is a top plan view thereof; and,
FIG. 7 is a bottom plan view thereof.

1 Claim, 4 Drawing Sheets



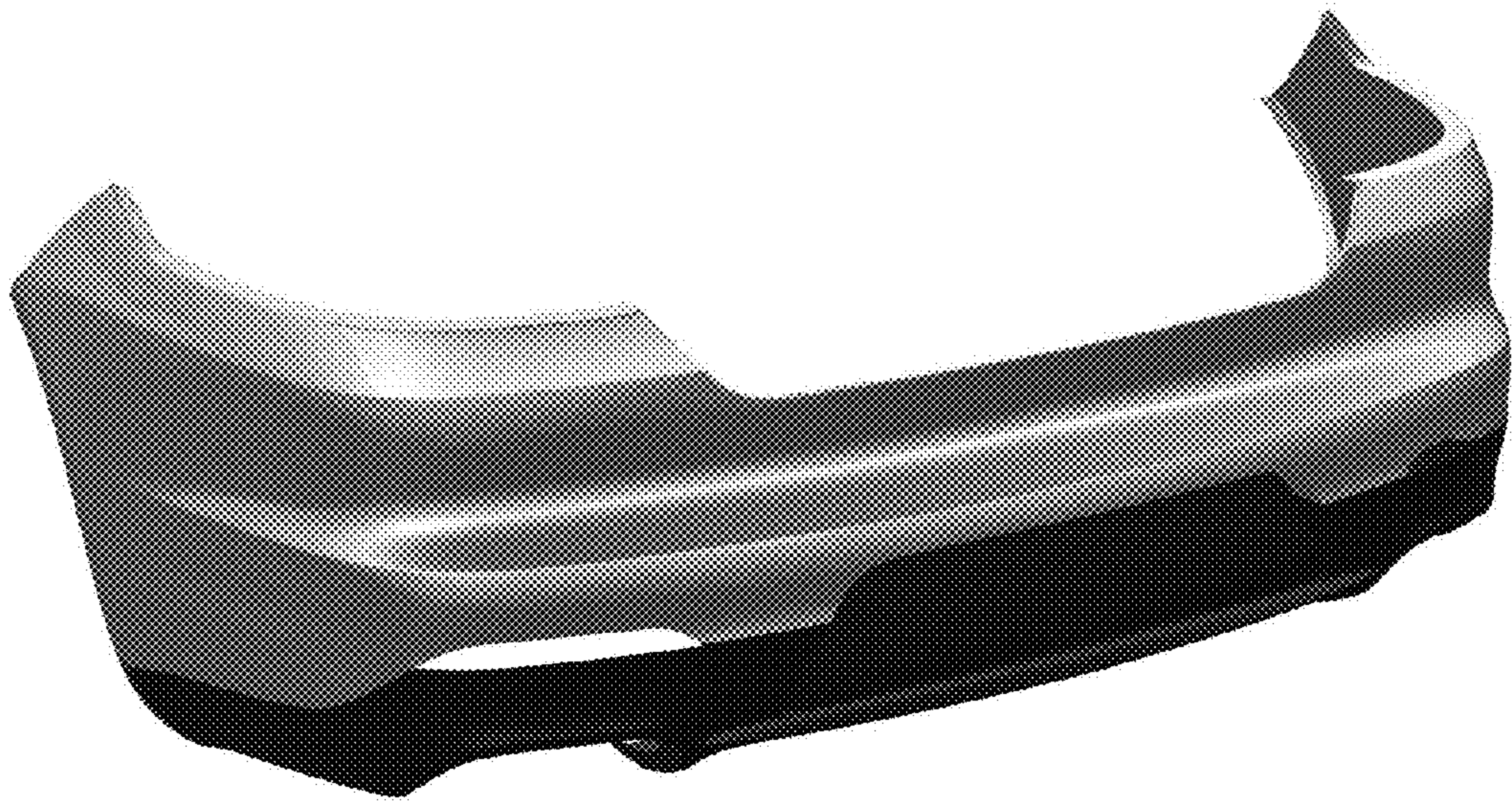


Figure 1

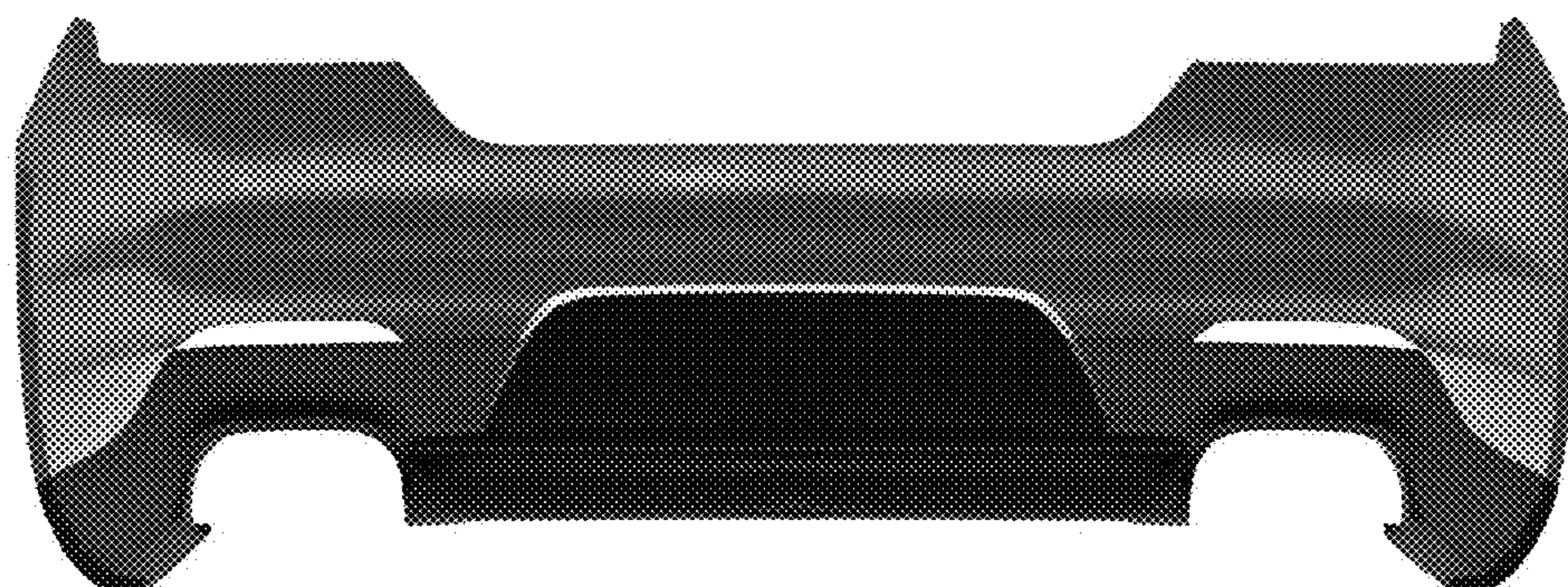


Figure 2

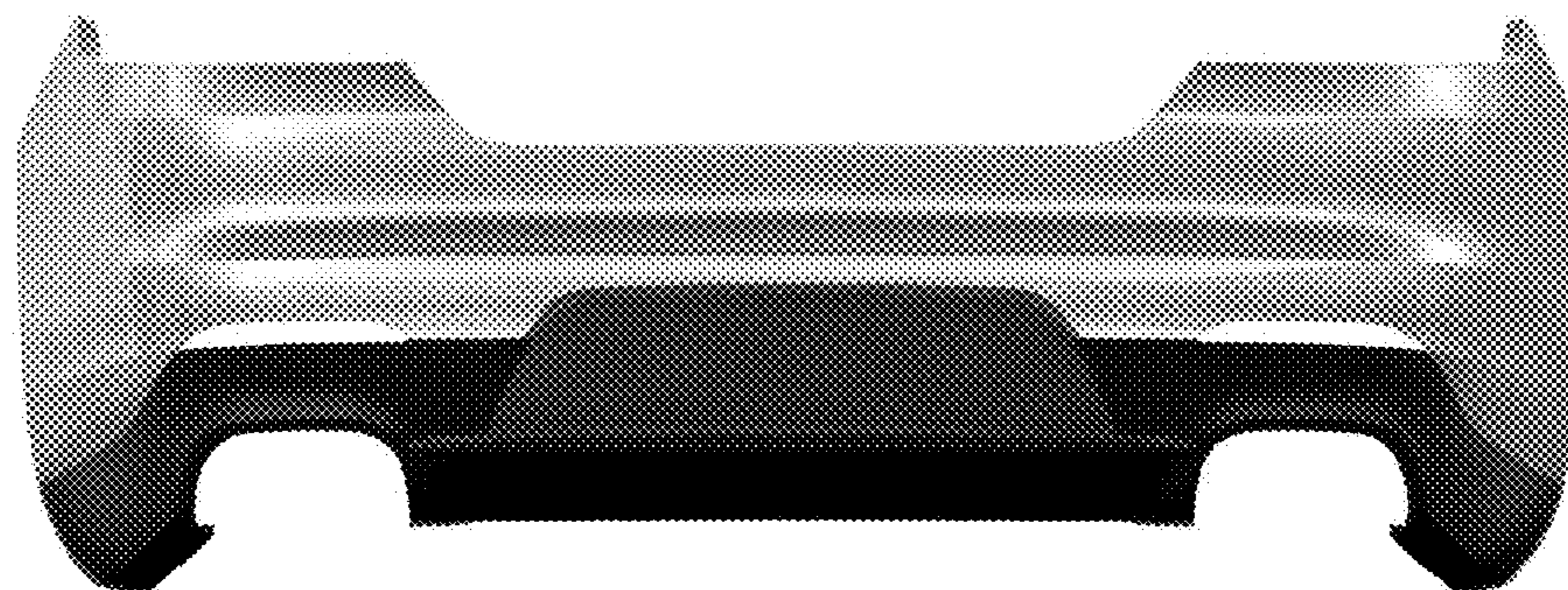


Figure 3

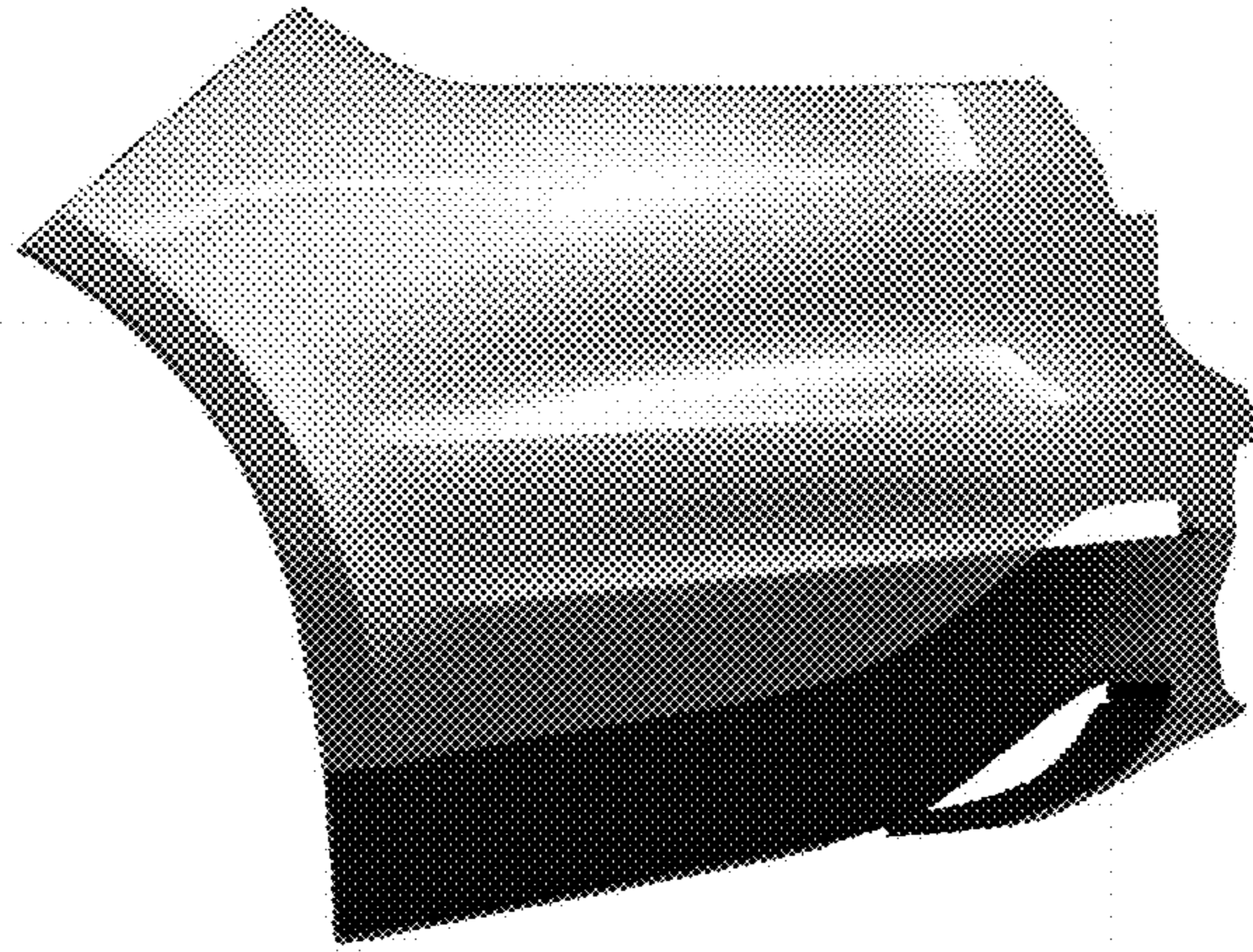


Figure 4

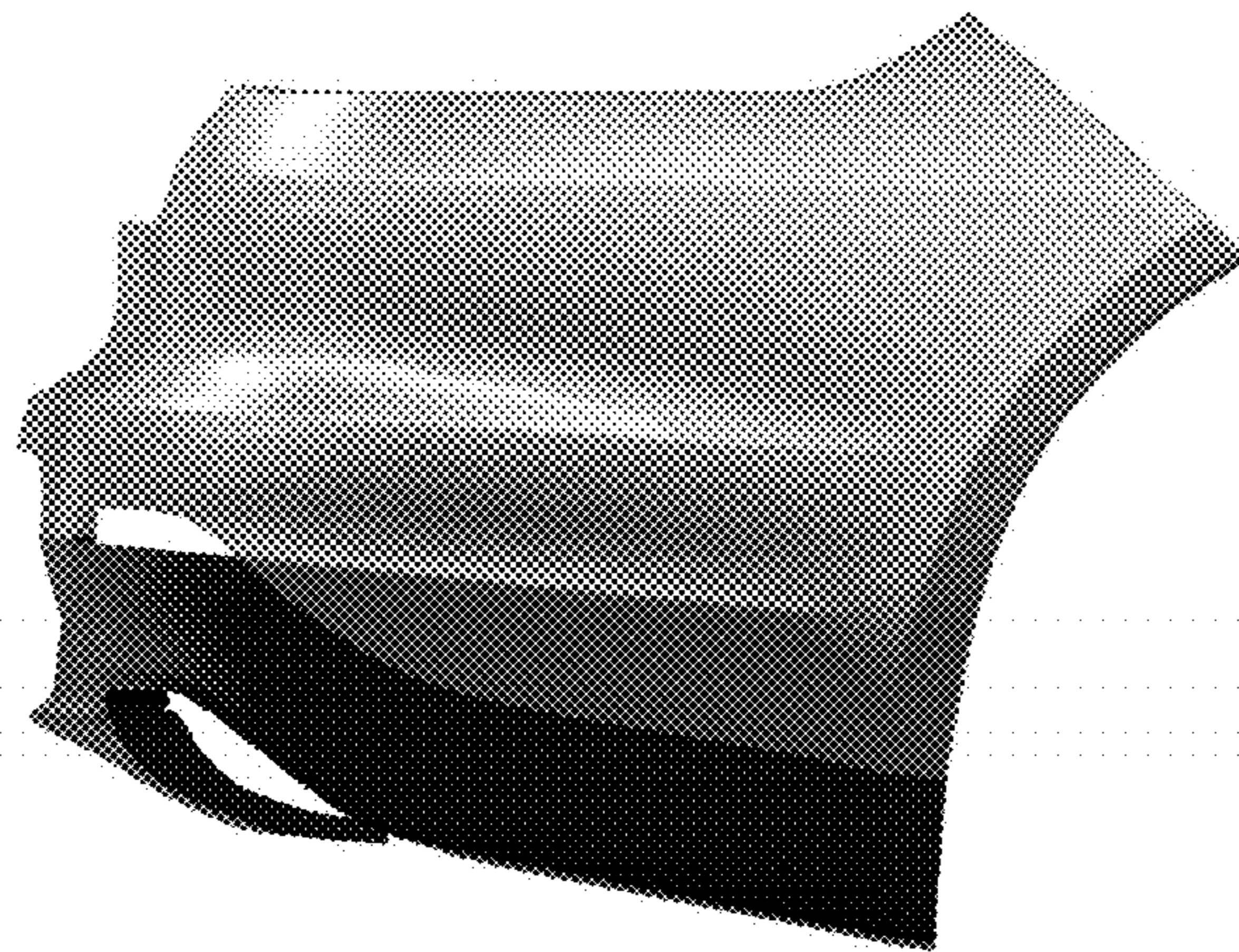


Figure 5

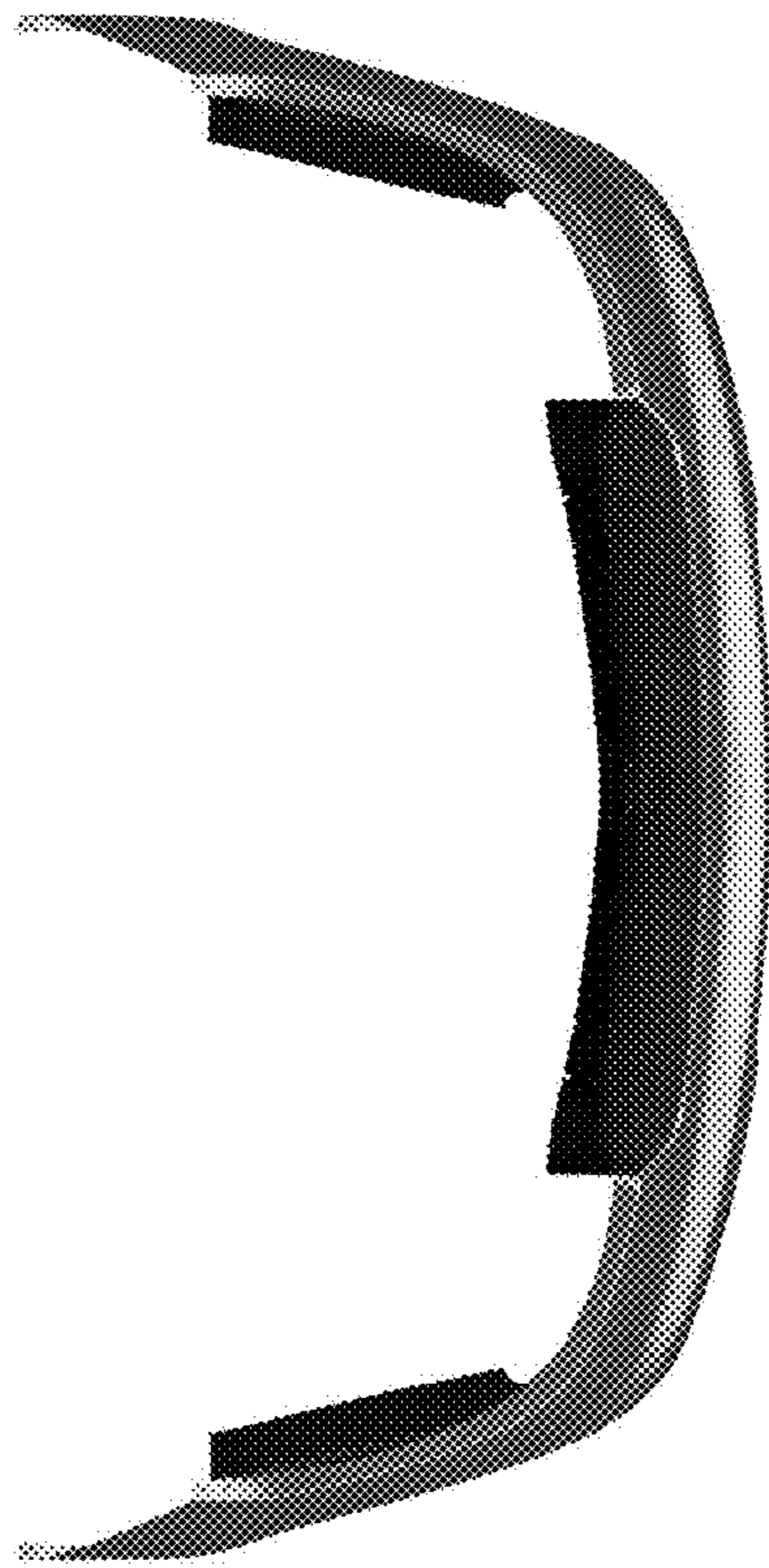


Figure 6

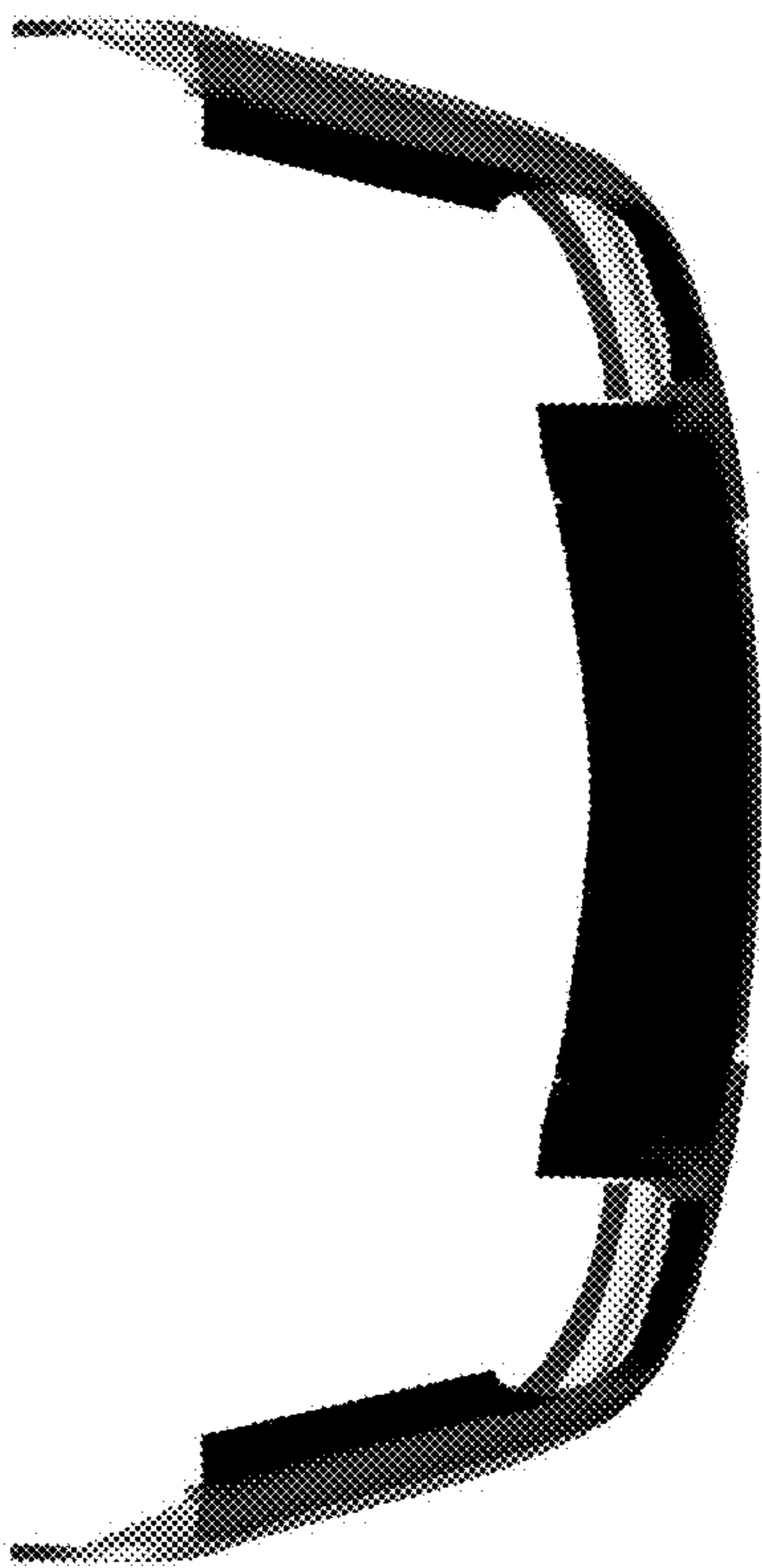


Figure 7